























# Assembly Instructions

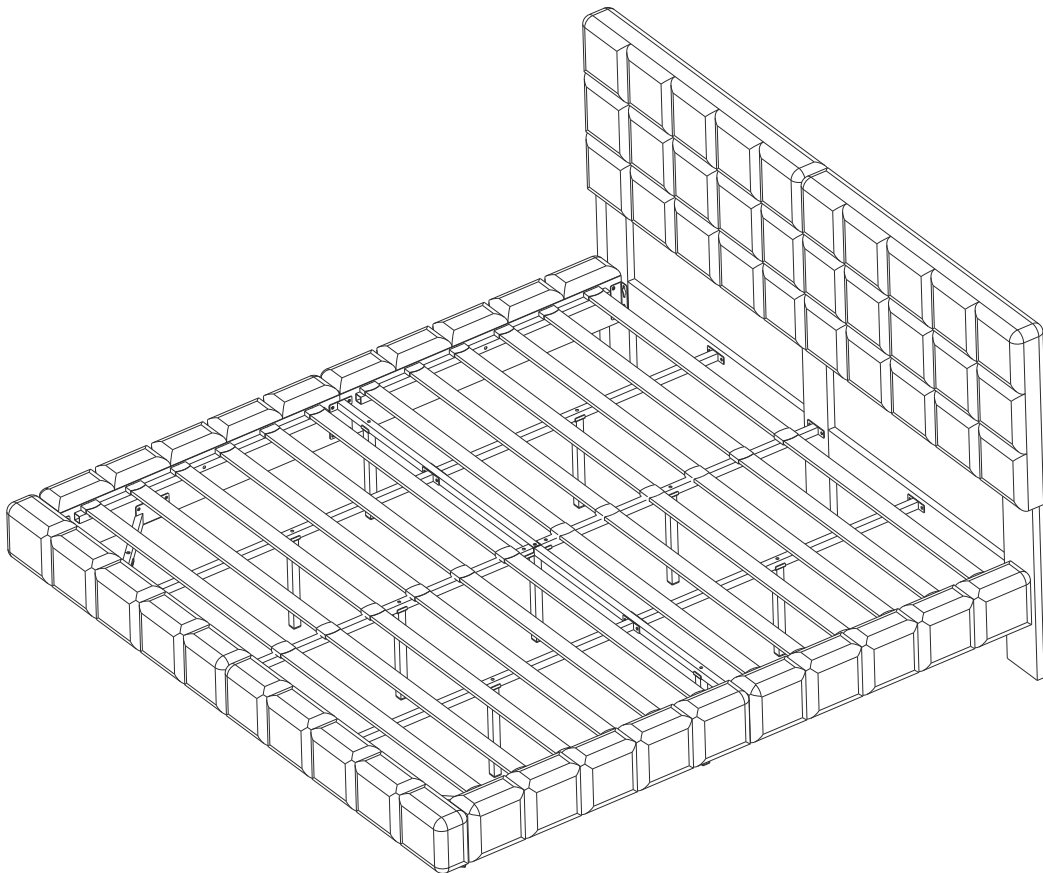
**Caution : You must read this before you proceed**

-   • Not for commercial use. For residential use only.
-   • Furniture may scratch floors. We recommend using furniture pads to protect your floors.
-   • Do not put hot items directly on furniture surface.
-   • Do not clean furniture with harsh cleansers or polish.
-   • Do not place furniture under direct sunlight.
-   • Do not place furniture near heating or cooling vents.
-   • Do not write on furniture without a padded barrier to protect the surface.
-   • Do not place furniture outside . For indoor use only.
-   • Stains may be removed with mild soap solution and damp cloth.
-   • Children should not climb or jump on the furniture.
-   • Dust and pick-up spills using a clean, non-colored, lint-free cloth.

**Please look in N769P304636 for hardware packs and legs.**

# Montageanleitung | Instructions de montage Assembly Instructions | Instrucciones de montaje

## SKU NUMBER: N769P304636



**GB** This set comes in 1 box. If you do not receive the complete box, please contact our customer service.

**DE** Dieses Set ist in einer Box. Wenn Sie noch kein komplettes Paket erhalten haben, wenden Sie sich bitte an unseren Kundenservice.

**FR** Cet ensemble est livré dans une boîte. Si vous ne recevez pas un ensemble complet de 1 boîte, veuillez contacter notre service clientèle.

## English

### IMPORTANT ! KEEP FOR FUTURE REFERENCE : READ CAREFULLY

- To be assembled by an adult. Assembly must be checked by an adult before use
- WARNING ! Keep all screws, small parts and plastic bags out of the reach of children
- Properly identify all parts before assembling
- Never use your item if any of its parts are broken or missing
- Should any problems arise, please contact our After Sales Service
- Manufacturer's instructions shall be followed at all times
- Care: Clean with a soft, dry cloth. In case of larger stains, carefully rub with a slightly damp, non-abrasive sponge
- Avoid the risk of fire by not placing furniture near sources of ignition or hot items
- Do not jump on the bed

## Deutsch

### WICHTIG ! ZUM SPÄTEREN NACHSCHLAGEN AUFBEWAHREN: SORGFÄLTIG LESEN

- Muss von einem Erwachsenen zusammengebaut werden. Der Zusammenbau muss vor dem Gebrauch von einem Erwachsenen überprüft werden
- WARNUNG! Bewahren Sie alle Schrauben, Kleinteile und Plastikbeutel außerhalb der Reichweite von Kindern auf
- Kennzeichnen Sie vor dem Zusammenbau alle Teile richtig
- Benutzen Sie Ihren Artikel niemals, wenn Teile gebrochen sind oder fehlen
- Sollten Probleme auftreten, wenden Sie sich bitte an unseren Kundendienst
- Die Anweisungen des Herstellers sind stets zu befolgen
- Pflege: Mit einem weichen, trockenen Tuch reinigen. Bei größeren Flecken vorsichtig mit einem leicht feuchten, nicht scheuernden Schwamm abreiben. nicht scheuernden Schwamm
- Vermeiden Sie die Gefahr eines Brandes, indem Sie die Möbel nicht in der Nähe von Zündquellen oder heißen Gegenständen aufstellen
- Nicht auf das Bett springen

## Français

### IMPORTANT ! CONSERVER POUR RÉFÉRENCE ULTÉRIEURE : LIRE ATTENTIVEMENT

- Le montage doit être effectué par un adulte. Le montage doit être vérifié par un adulte avant Utilisation
- ATTENTION ! Tenir les vis, les petites pièces et les sachets en plastique hors de portée des enfants
- Identifiez correctement toutes les pièces avant de les assembler
- N'utilisez jamais votre article si l'une de ses pièces est cassée ou manquante
- En cas de problème, veuillez contacter notre service après-vente
- Les instructions du fabricant doivent être respectées à tout moment
- Entretien : nettoyer avec un chiffon doux et sec. En cas de taches plus importantes, frotter soigneusement avec une éponge non abrasive légèrement humide. légèrement humide et non Abrasive
- Évitez les risques d'incendie en ne plaçant pas les meubles à proximité de sources d'inflammation ou d'objets chauds
- Ne pas sauter sur le lit

## Italiano

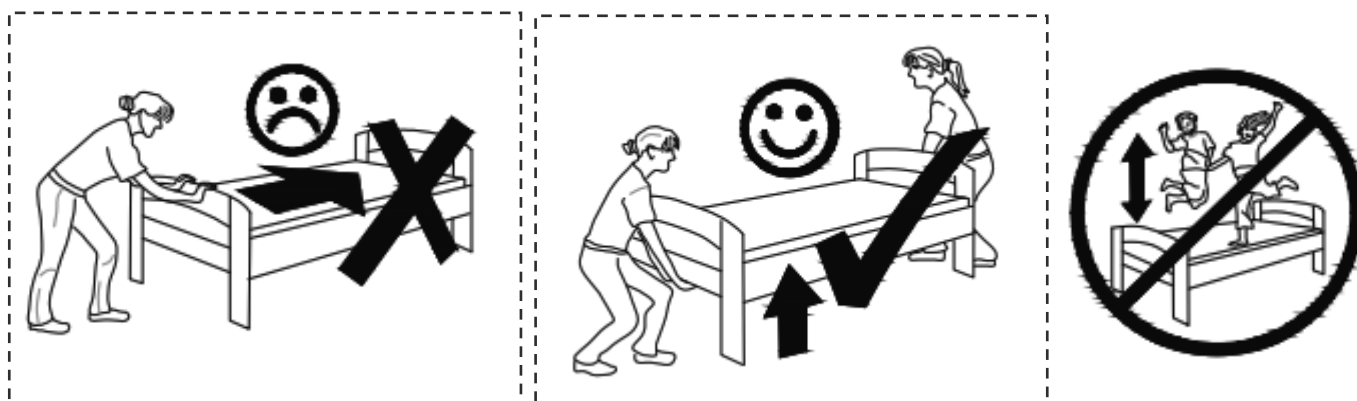
### IMPORTANTE! CONSERVARE PER RIFERIMENTO FUTURO: LEGGERE ATTENTAMENTE

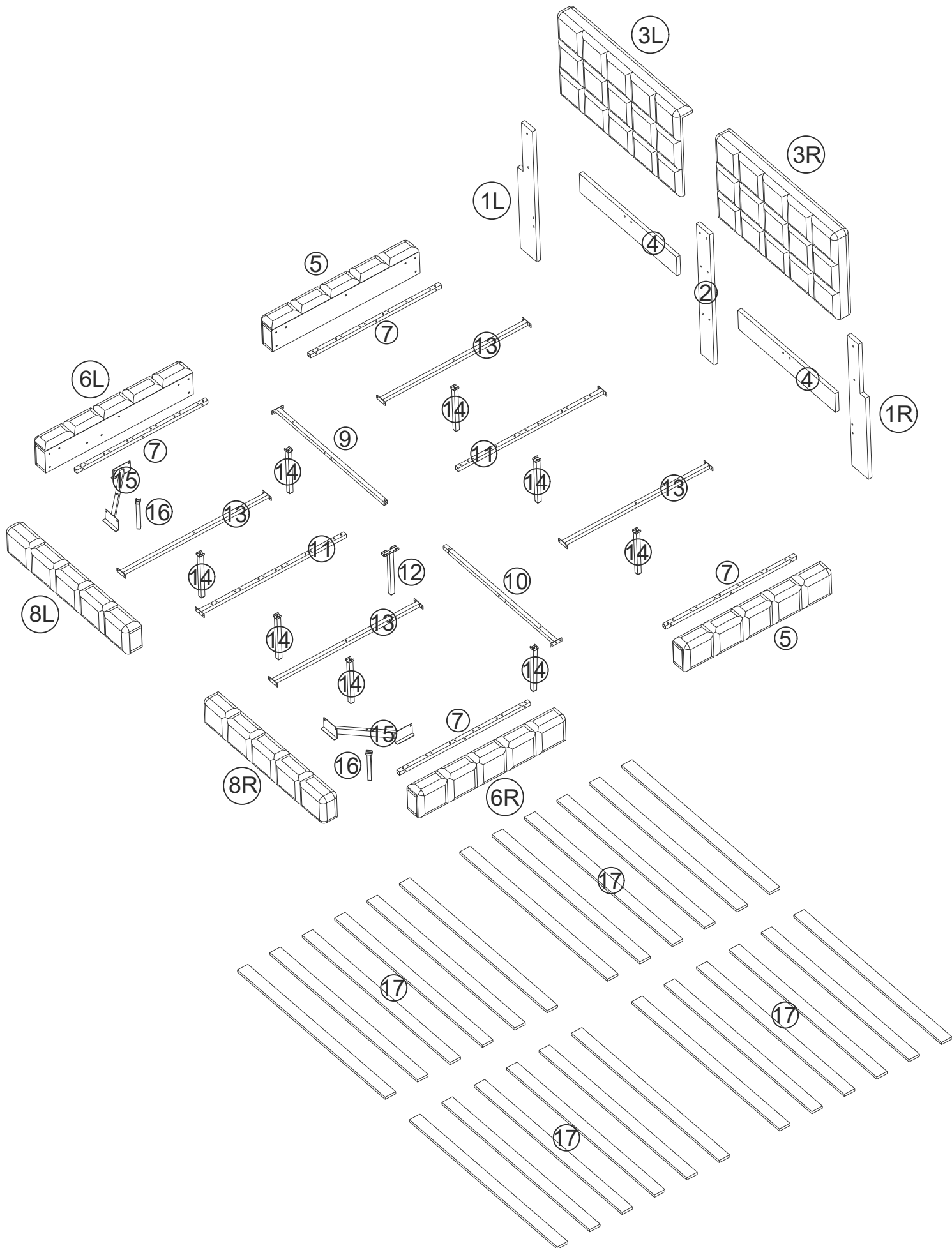
- Deve essere assemblato da un adulto. L'assemblaggio deve essere controllato da un adulto prima dell'uso
- **ATTENZIONE!** Tenere tutte le viti, le piccole parti e i sacchetti di plastica fuori dalla portata dei bambini
- Identificare correttamente tutte le parti prima dell'assemblaggio
- Non utilizzare mai l'articolo se alcune parti sono rotte o mancanti
- In caso di problemi, si prega di contattare il nostro Servizio Post Vendita
- Le istruzioni del produttore devono essere sempre seguite
- Cura: Pulire con un panno morbido e asciutto. In caso di macchie più estese, strofinare accuratamente con una spugna leggermente umida e nonspugna leggermente umida e non abrasiva
- Evitare il rischio di incendio, non collocando i mobili vicino a fonti di accensione o a oggetti caldi
- Non saltare sul letto

## Español


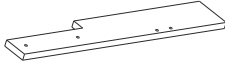
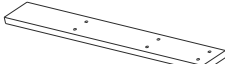
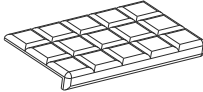
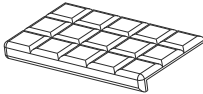
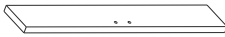
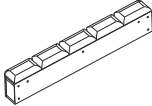
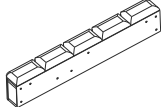
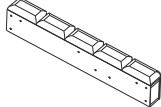
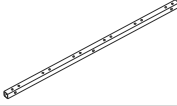
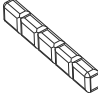
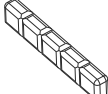


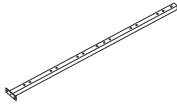

### ¡ IMPORTANTE ! CONSERVELO PARA FUTURAS CONSULTAS: LEA ATENTAMENTE

- Debe ser montado por un adulto. El montaje debe ser comprobado por un adulto antes del uso
- ADVERTENCIA Mantenga todos los tornillos, piezas pequeñas y bolsas de plástico fuera del alcance de los niños.
- Identifique correctamente todas las piezas antes de montarlas
  - Nunca utilice su artículo si alguna de sus piezas está rota o falta
  - Si surge algún problema, póngase en contacto con nuestro Servicio Postventa
  - Las instrucciones del fabricante deben seguirse en todo momento
  - Cuidado: Limpiar con un paño suave y seco. En caso de manchas más grandes, frote cuidadosamente con una esponja no abrasiva ligeramente humedecida.
  - Evite el riesgo de incendio no colocando los muebles cerca de fuentes de ignición u objetos calientes.
  - No saltar sobre la cama.





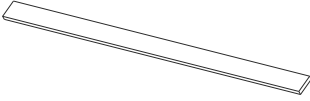




# Parts List

Label	Picture	Description	QTY
①L		Left column	1
①R		Right column	1
②		Middle column	1
③L		Left headboard	1
③R		Right headboard	1
④		Connecting plate	2
⑤		Front side of the bed	2
⑥L		The left rear end of the bed side	1
⑥R		The right rear end of the bed side	1
⑦		Bed side support pipe	4
⑧L		Left end of the bed	1
⑧R		Right end of the bed	1
⑨		Zola tube	1
⑩		Right pull tube	1
⑪		Intermediate support pipe	2
⑫		Middle support foot	1

## Parts List

<b>Label</b>	<b>Picture</b>	<b>Description</b>	<b>QTY</b>
⑬		Auxiliary support pipe	<b>4</b>
⑭		Supporting foot	<b>8</b>
⑮		Diagonal support	<b>2</b>
⑯		Diagonal support feet	<b>2</b>
⑰		Slat	<b>24</b>

# Hardware

Label	Picture	Description	QTY
A		Allen Key	1
B		Bolts(M8x25mm )	62
C		Bolts(M8x35mm)	21
D		Gasket	4
E		Strip iron sheet	1
F		Square iron sheet	7
G		Connector	4
H		Bolts(M8x40mm)	12
J		Open-end wrench	4
K		Open-end wrench	1
M		Bolts(M8x50mm)	2
L		Power cord	1
N		Power adapter	1
P		Single-hole bed board head buckle	24
Q		Double-hole bed board head buckle	12
R		Remote Control	1
S		Bolts(M8x16mm )	4

## Assembly Preparation

### Before Beginning Assembly:



- Read instructions, cover to cover-



- Have 2 adults on hand for assembly-



- Do not assemble on flooring or carpet-



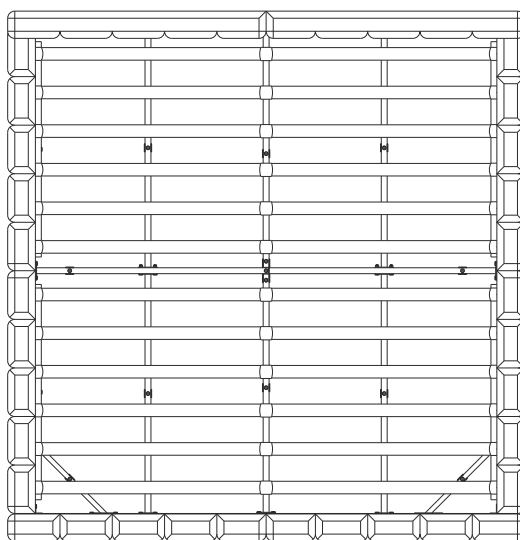
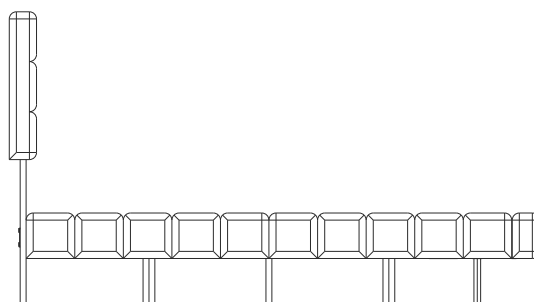
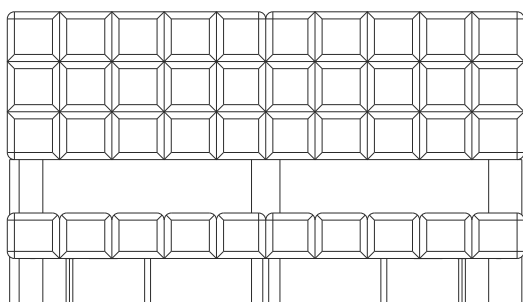
- Assemble on a clean non-marring surface (packing foam)-



- Save all packaging until finished-

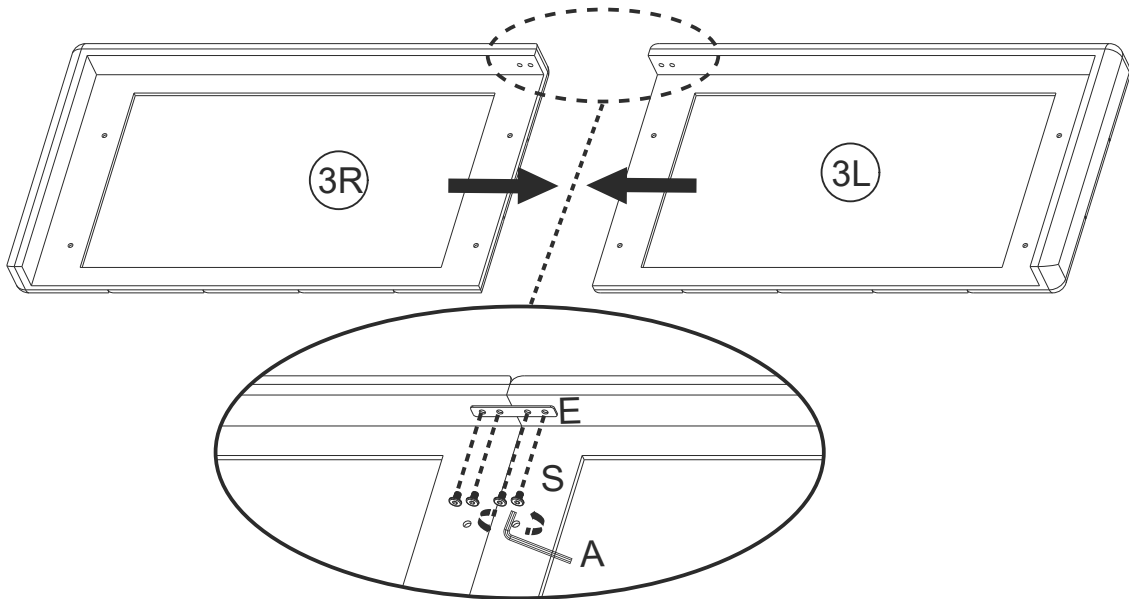
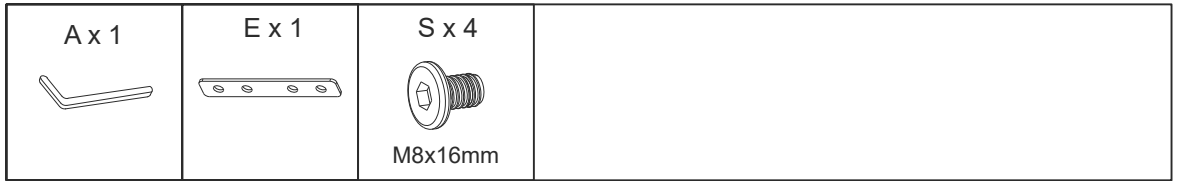
## Assembly Steps

### Overview



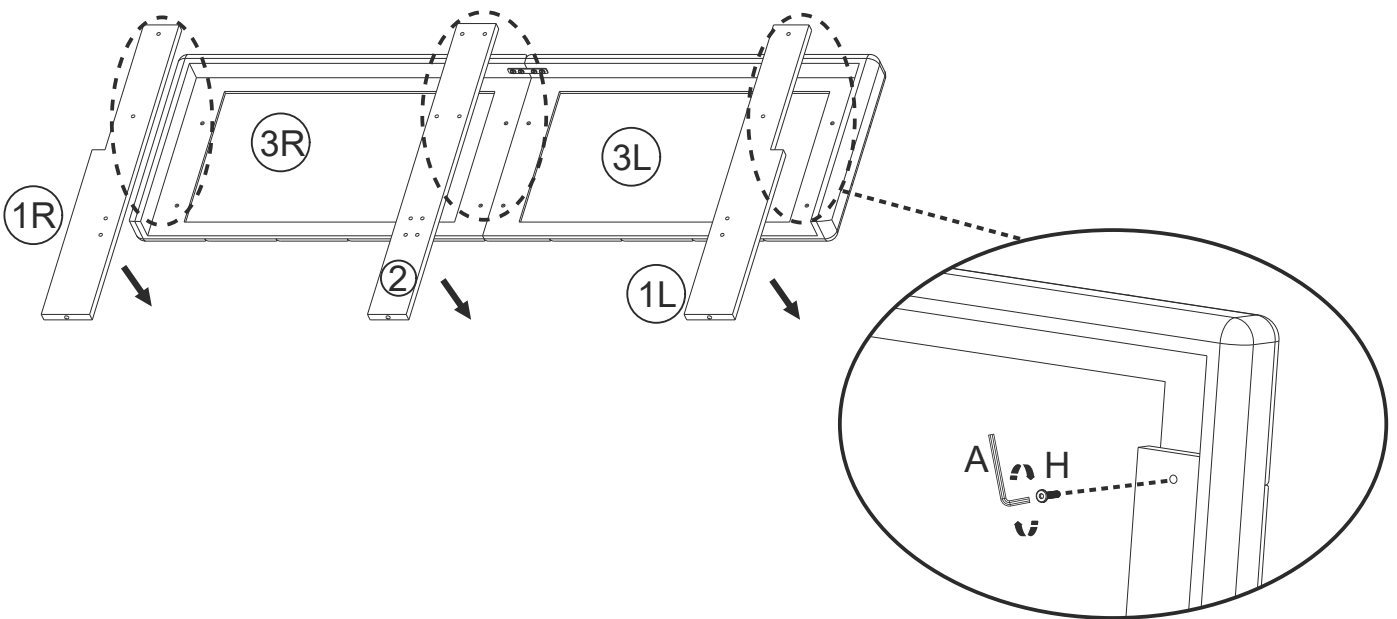
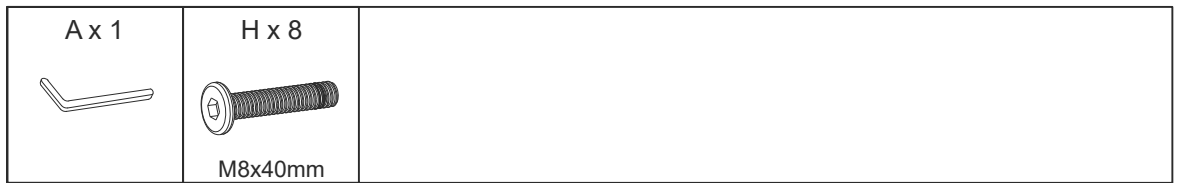
This bed has multiple parts and may require up to some 30 minutes to assemble. To give you an overview of the bed parts, the above picture is to help you put the various parts into perspective. Please read through the instructions below to familiarise yourself with the parts and steps before assembly.

1




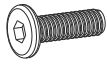
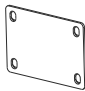
Connect the 3R component and the 3L component through part E and tighten them using bolt S and a wrench

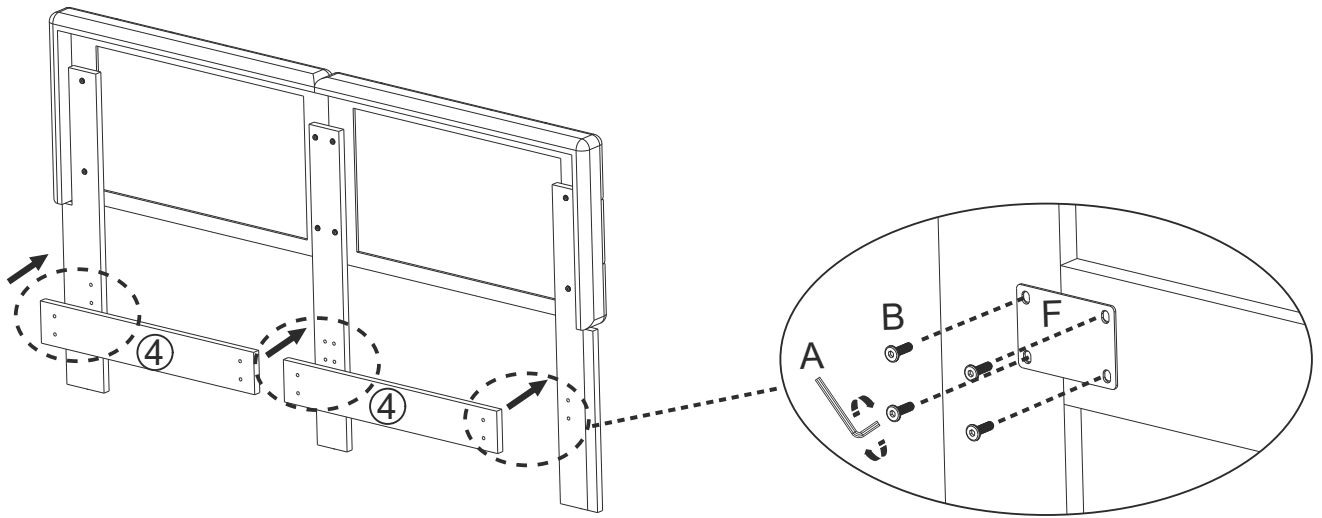
2



Connect the 1R component, the 2 component and the 1L component using H bolts and tighten them with an A wrench

3

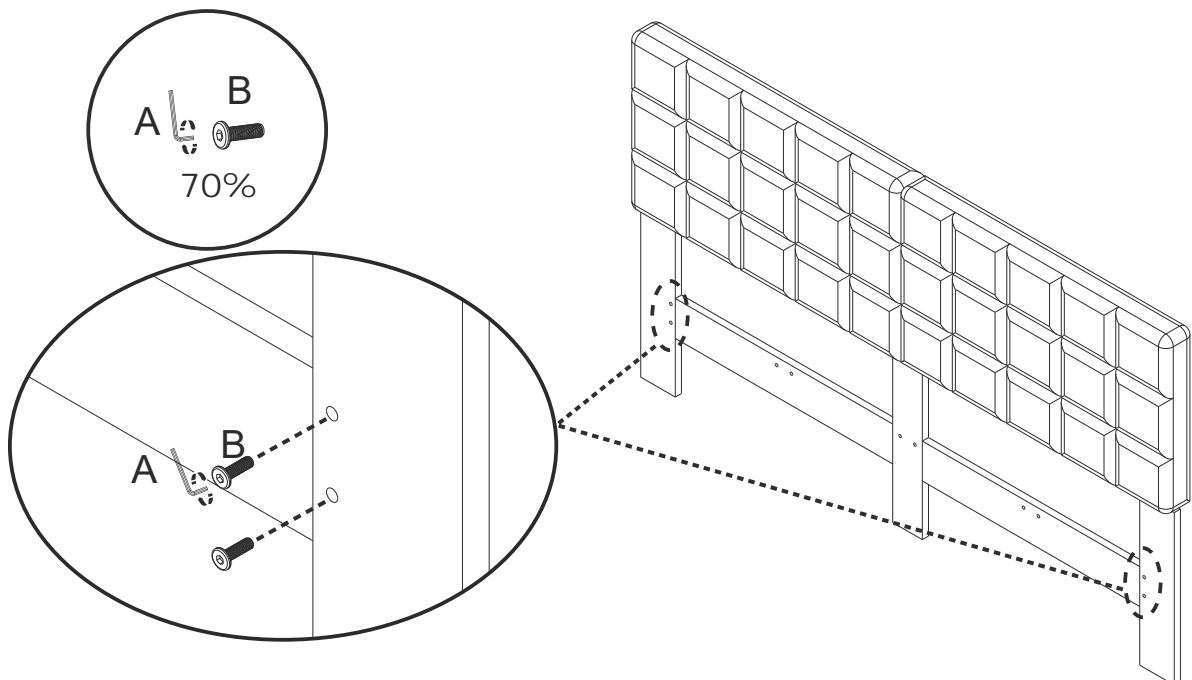
A x 1 	B x 16  M8x25mm	F x 4 
--	--	--



**Connect the 4 components to the headboard assembly using F parts and B bolts, and tighten them with A wrench**


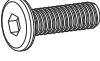

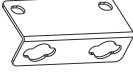
4

A x 1 	B x 4  M8x25mm
--	---

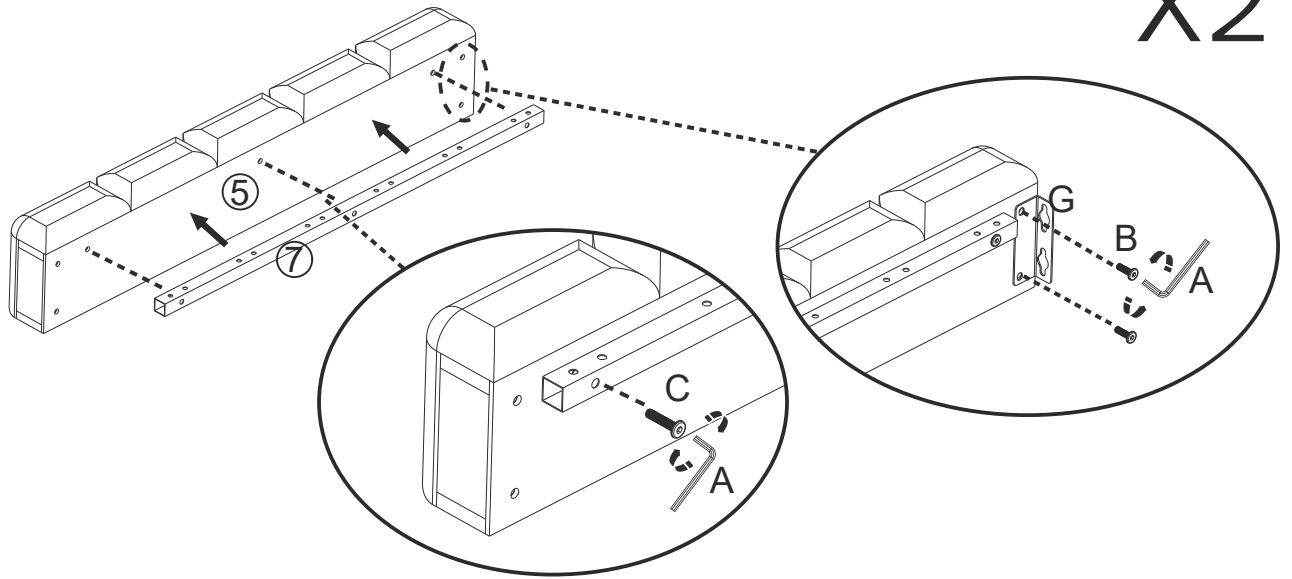


**Pre-lock the B bolt to the headboard assembly by 70 percent**

5


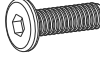
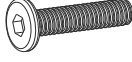

<p>A x 1</p> 	<p>B x 4</p>  <p>M8x25mm</p>	<p>C x 6</p>  <p>M8x35mm</p>	<p>G x 2</p> 	
--	---	---	---	--

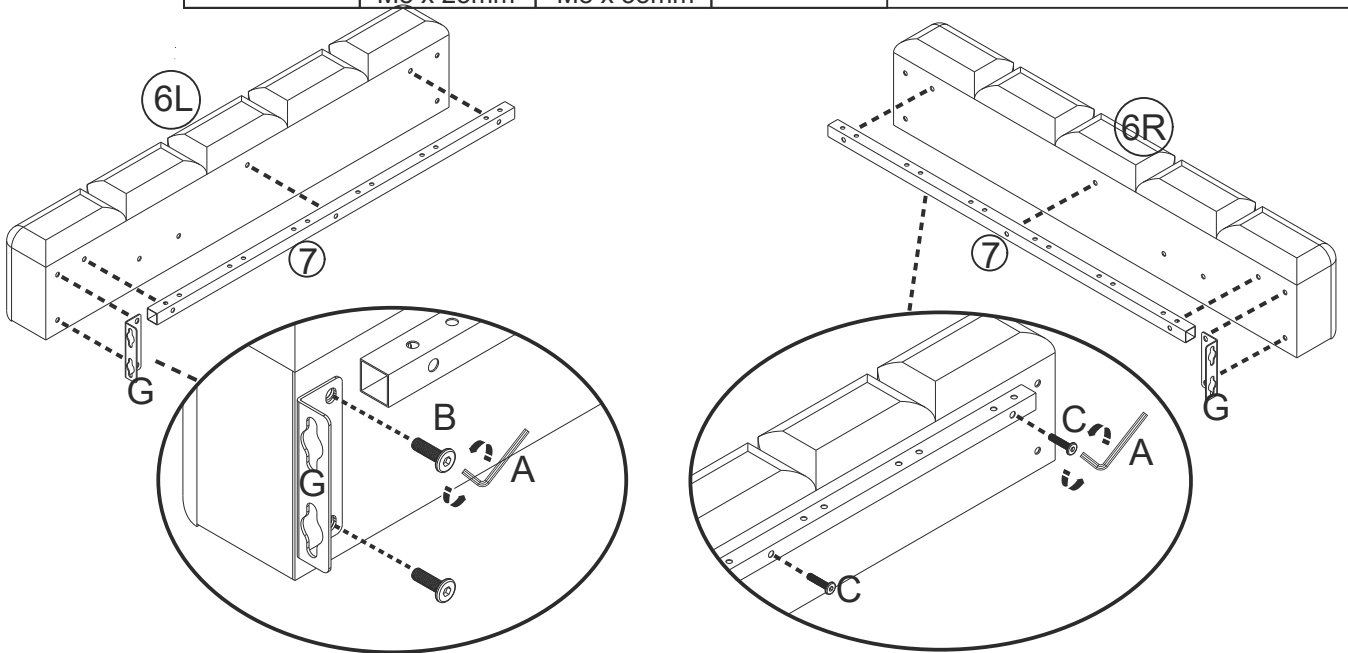
X2



**Connect the 7 components to the 5 components using C bolts and tighten them with A wrench**  
**Connect part G to Component 5 using bolt B and tighten it with wrench A**

6

<p>A x 1</p> 	<p>B x 4</p>  <p>M8 x 25mm</p>	<p>C x 6</p>  <p>M8 x 35mm</p>	<p>G x 2</p> 	
--	---	---	--	--

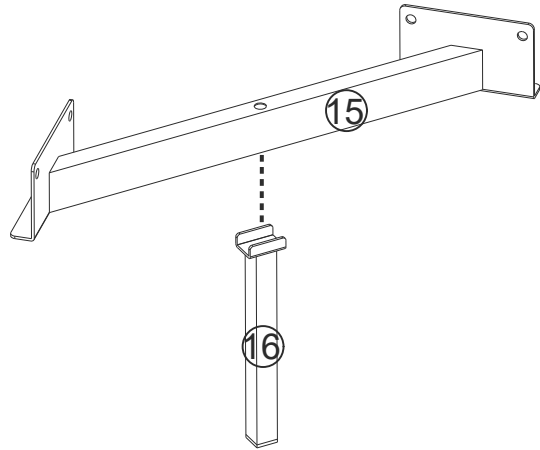
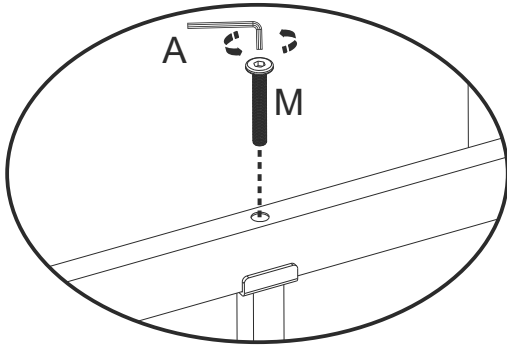


**Connect the 7 components to the 6L component and the 6R component respectively using C bolts and tighten them with an A wrench**  
**Connect the G part to the 6L component and the 6R component respectively using B bolts and tighten them with A wrench**

7

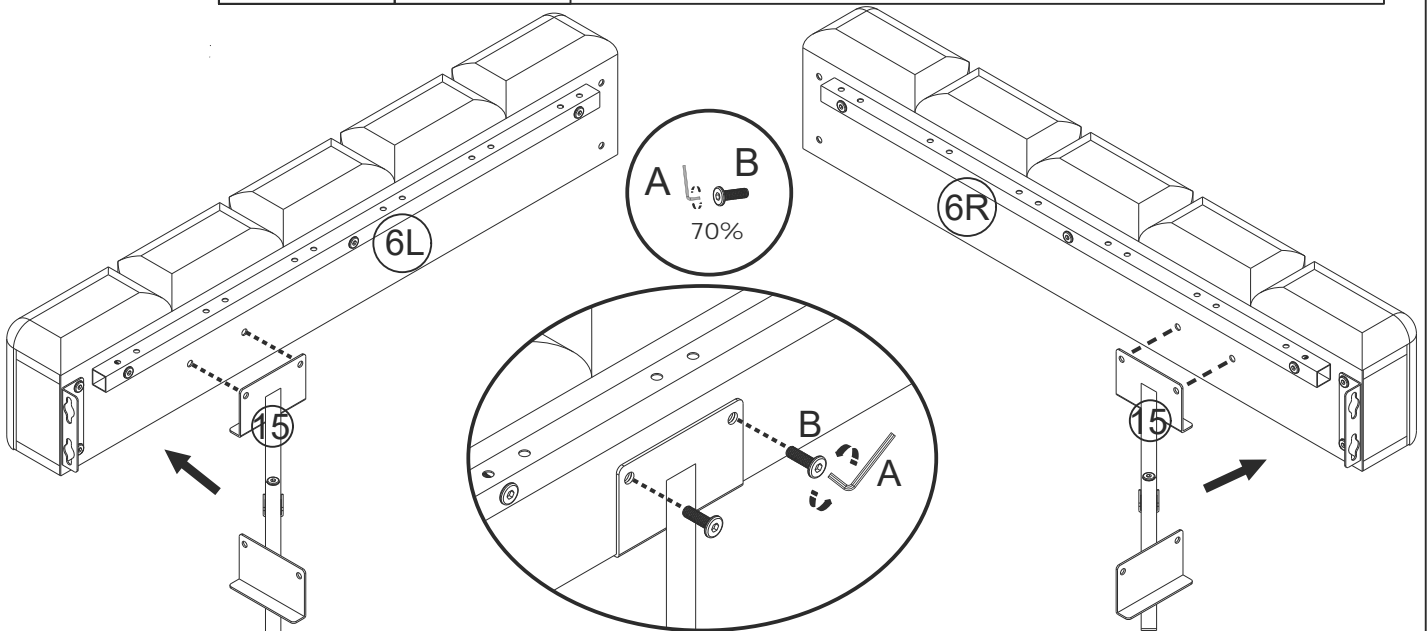


X2



**Connect Component 16 to Component 15 using M bolts and tighten it with an A wrench. Repeat twice**

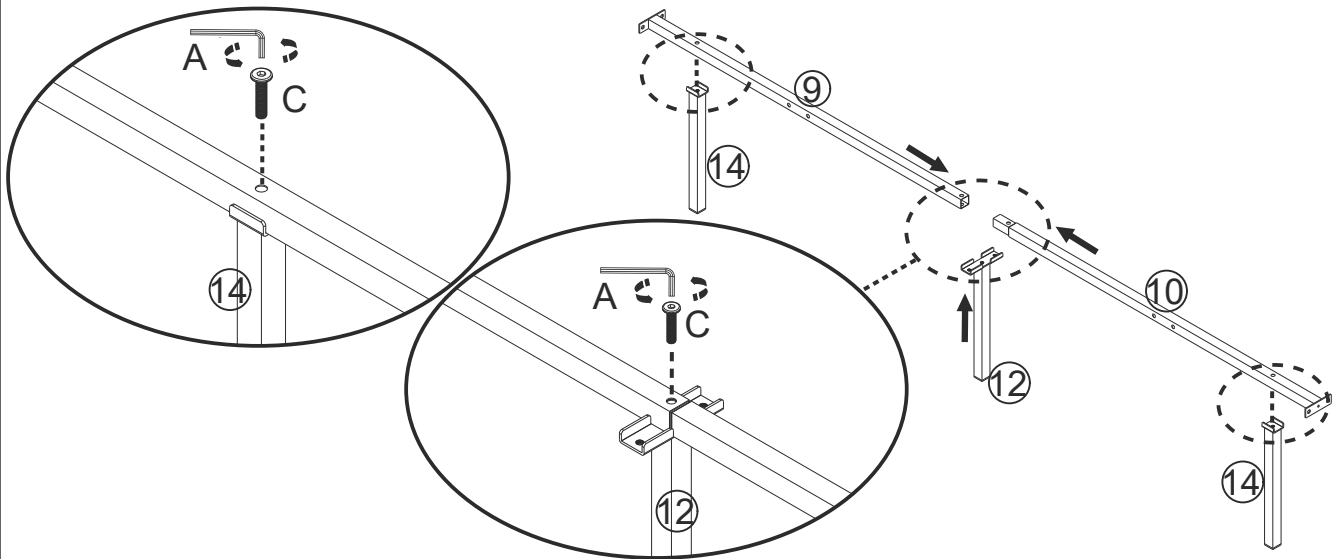
8



**Use Wrench A to connect Bolt B to attach Component 15 to Component 6L and Component 6R, but do not fully tighten the bolt.**

9

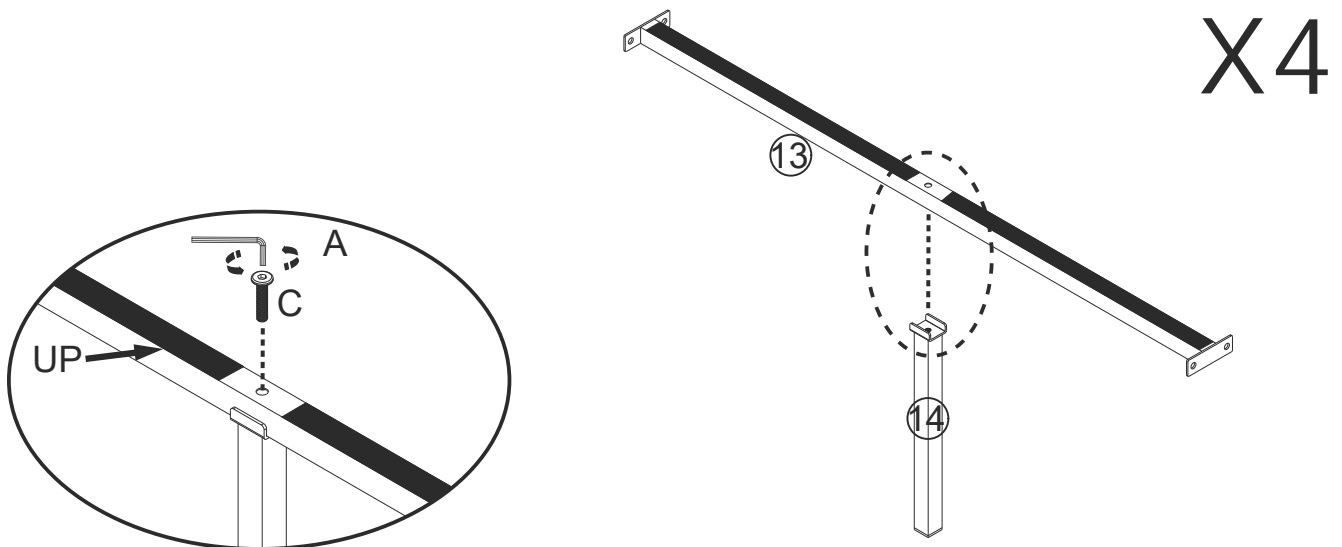
A x 1 	C x 3  M8 x 35mm
--	---



**Connect Component 14 to Component 9 and Component 10 respectively using C bolts and tighten them with A wrench**



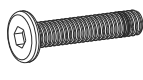

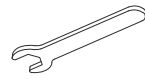
10

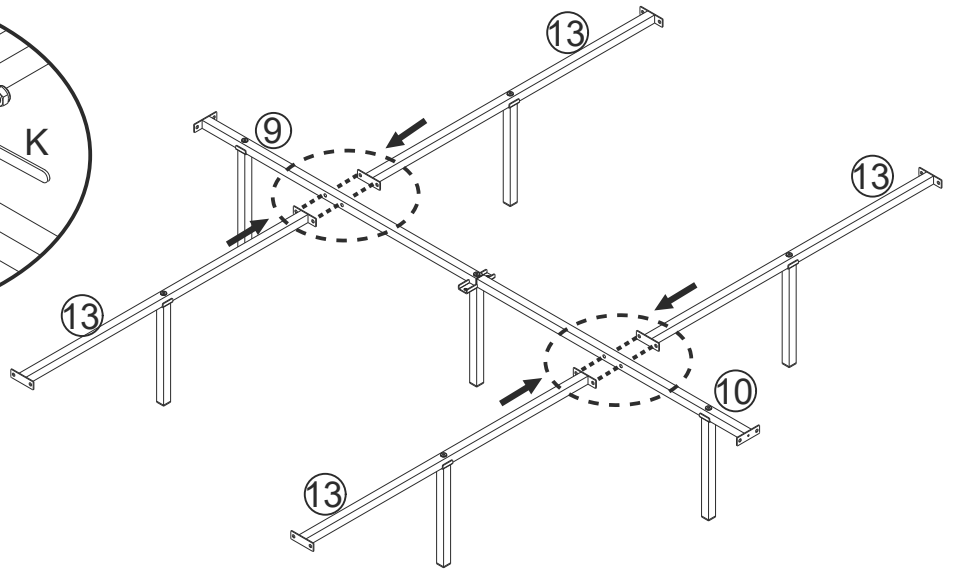
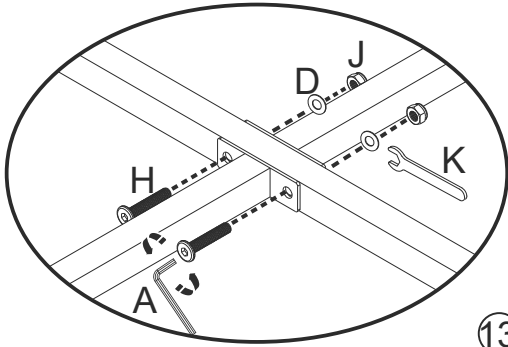
A x 1 	C x 4  M8 x 35mm
--	---



**Connect Component 13 to Component 14 using bolt B and tighten it with wrench A**

11

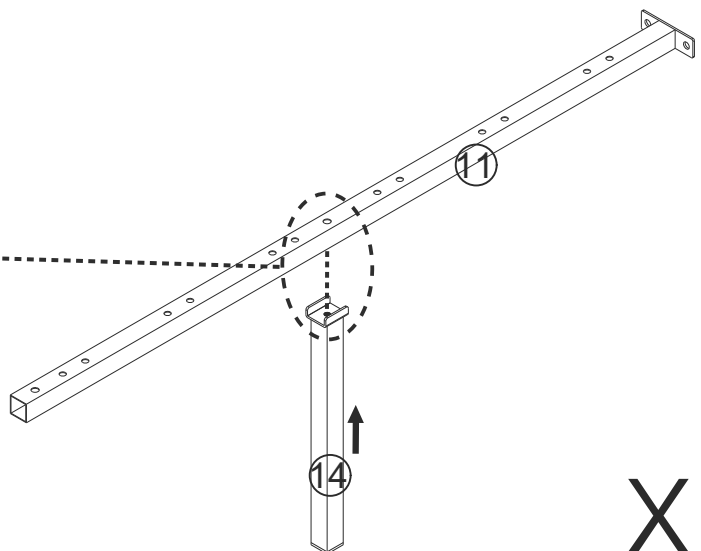
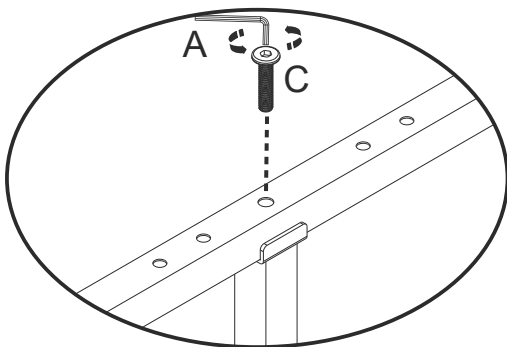
A x 1 	D x 4 	H x 4 M8 x 40mm 	J x 4 M8 	K x 1 	
--	--	---	--	--	--



**Connect Component 13 to Component 9 and Component 10 respectively using H bolts, D washers and J nuts, and tighten them with A wrench and K wrench.**

12



A x 1 	C x 2 M8 x 35mm 	
--	---	--

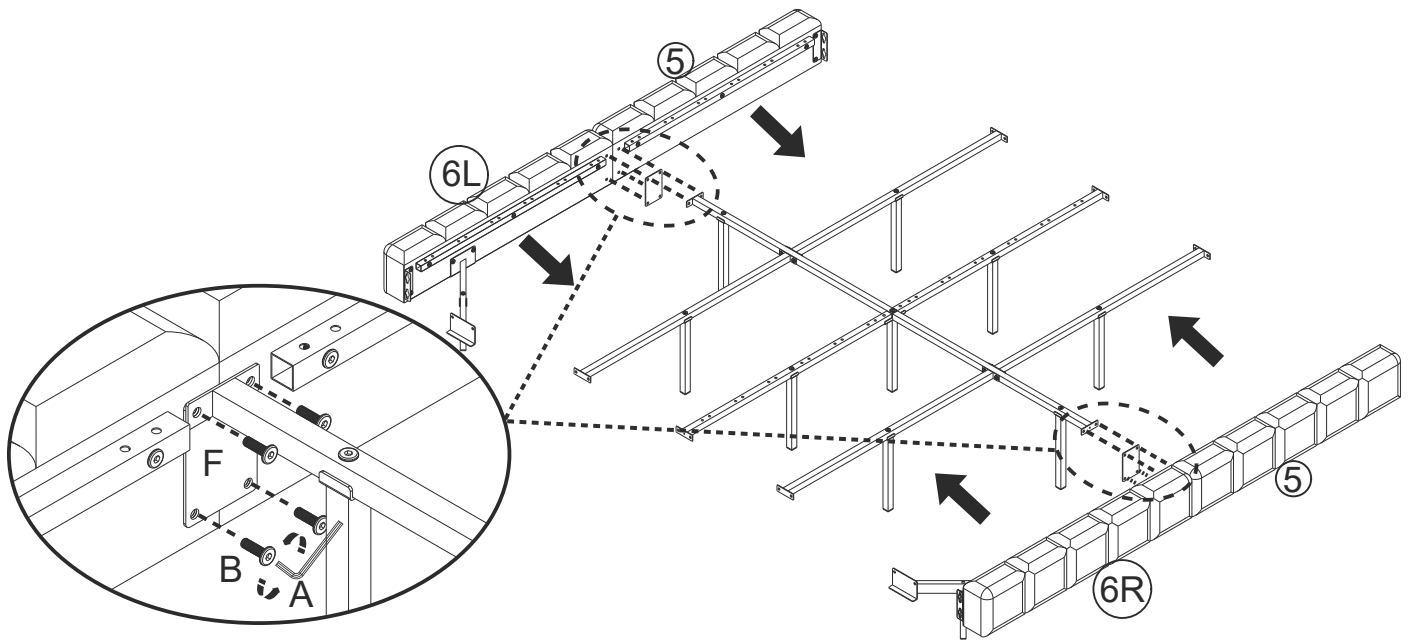


X2

**Connect Component 14 to Component 11 using C bolts and tighten it with A wrench. Repeat twice**

13

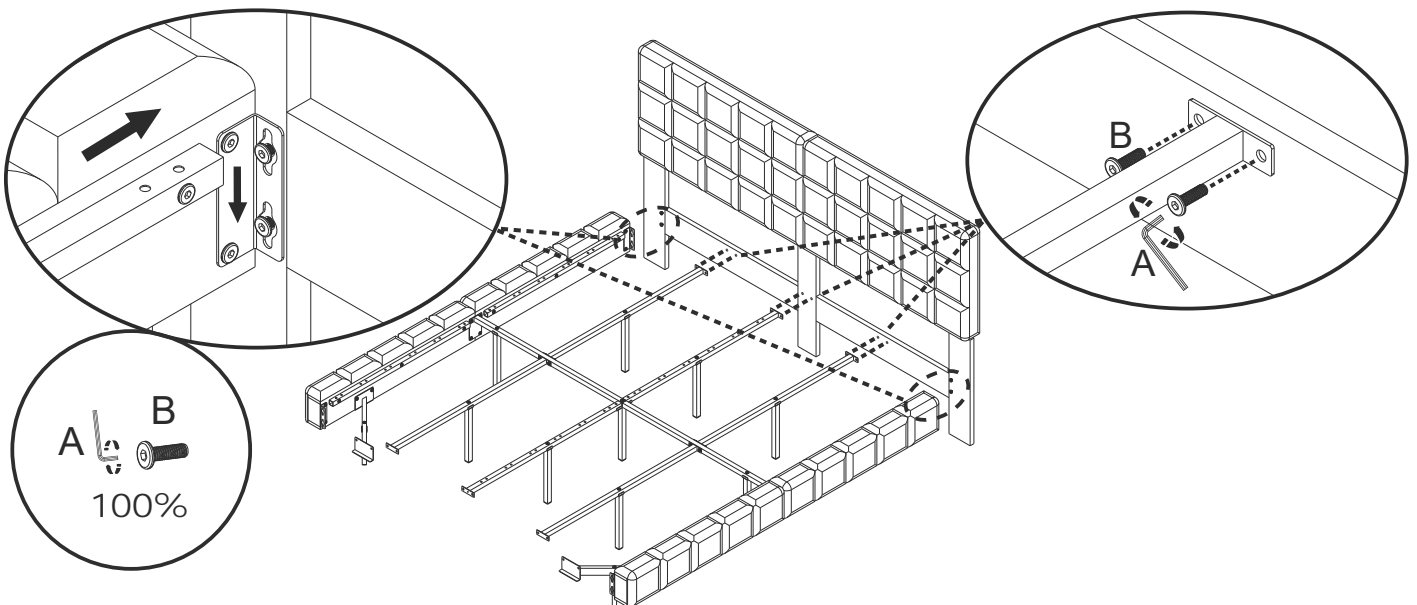
<p>A x 1</p> 	<p>B x 8</p>  <p>M8x25mm</p>	<p>F x 2</p> 	
--	---	--	--



**Connect the assembled bed side components to the center frame using B bolts and F parts, and lock them with wrench A**

14

<p>A x 1</p> 	<p>B x 6</p>  <p>M8x25mm</p>	
--	---	--



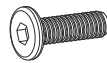
**Hang the assembled bed on the pre-installed bolts at the head of the bed and tighten them with an A wrench  
The support pipe part is connected to the headboard with B bolts and tightened with A wrench**

15

A x 1

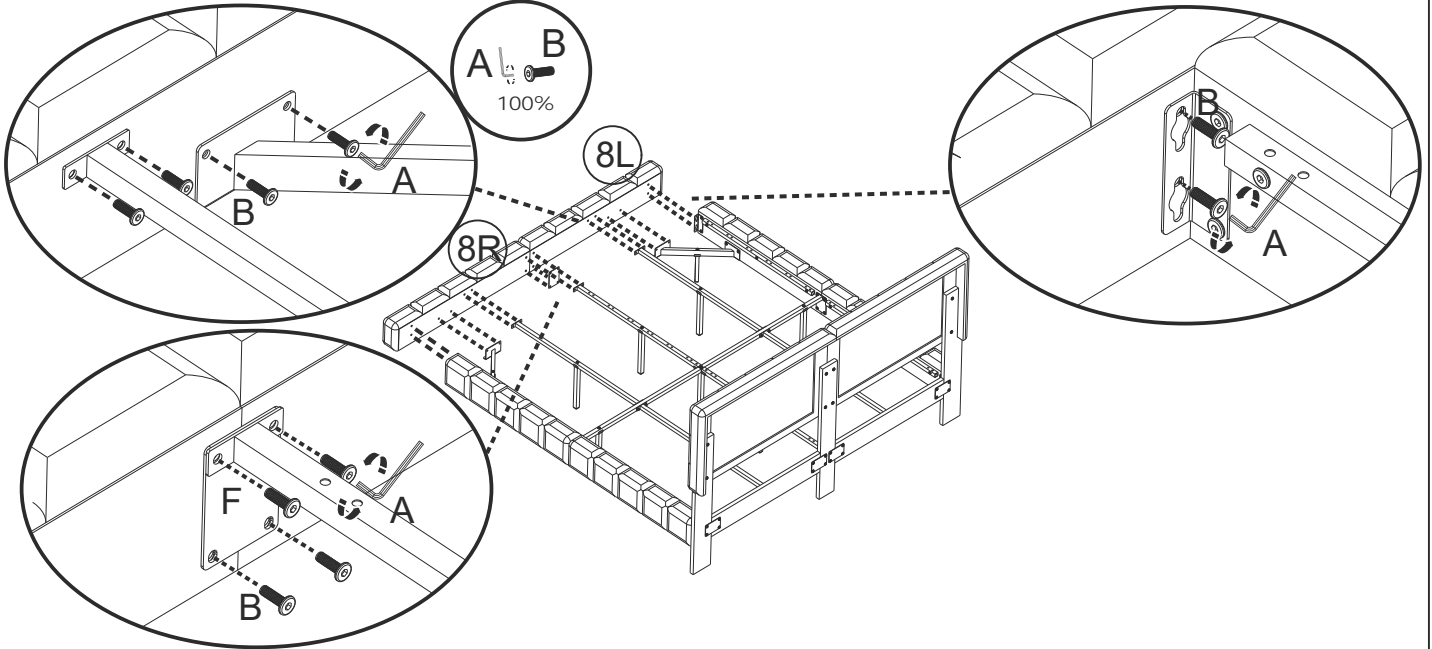


B x 16



M8x25mm

F x 1



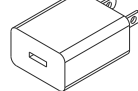
**Connect the bed frame to the 8L and 8R components using B bolts and tighten it with A wrench**

16

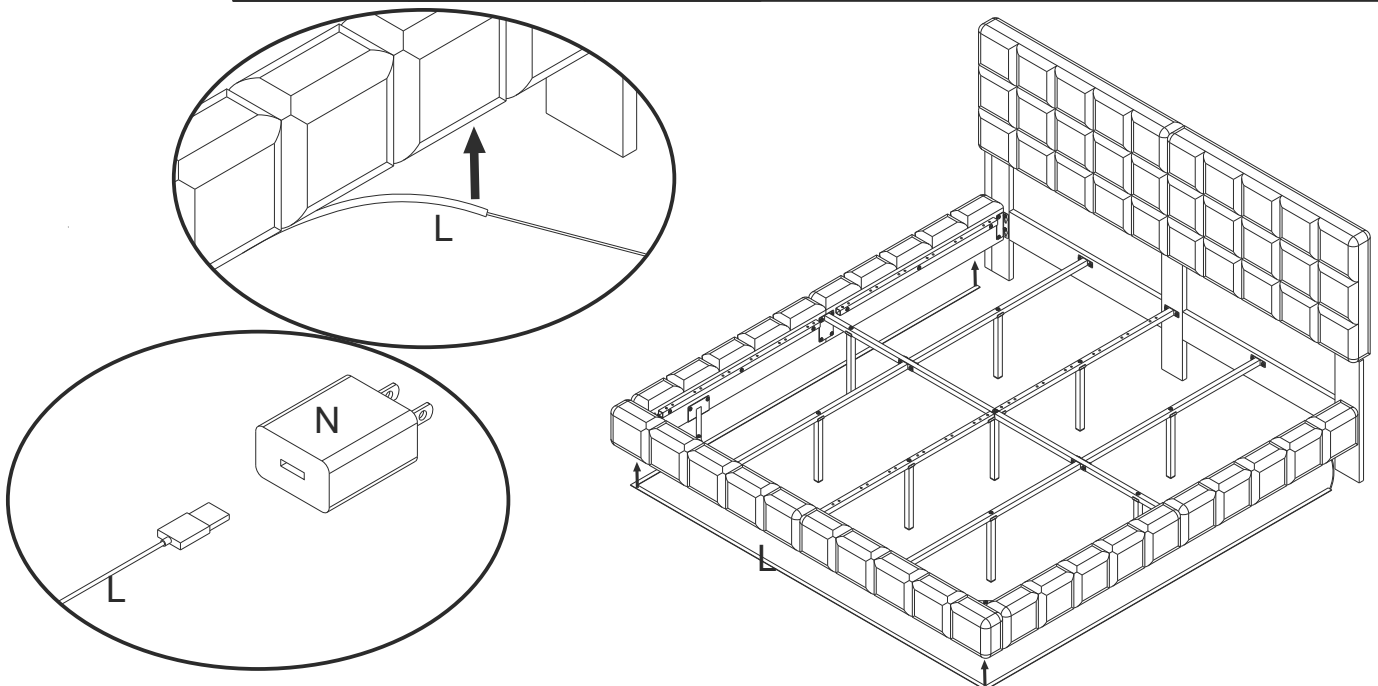
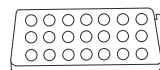
L x 1



N x 1



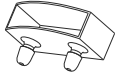
R x 1



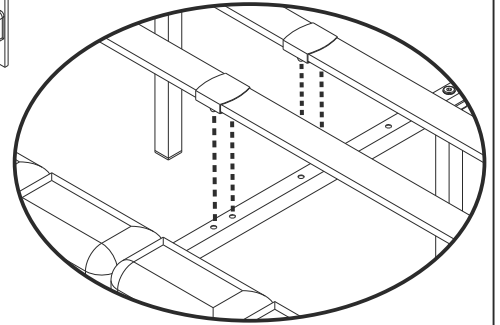
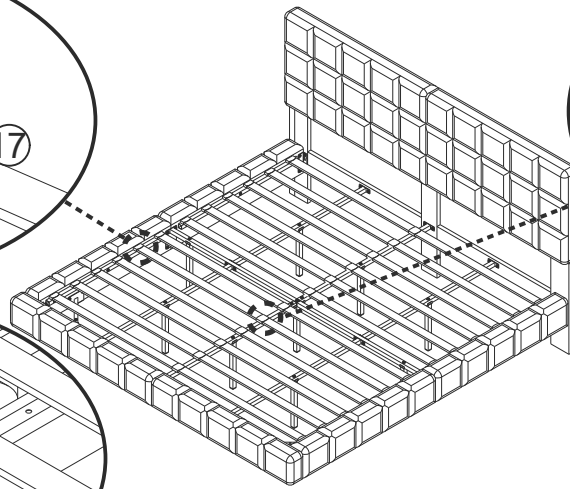
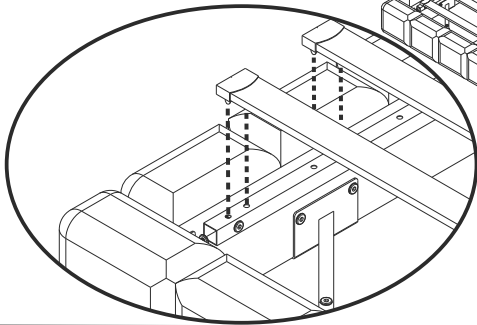
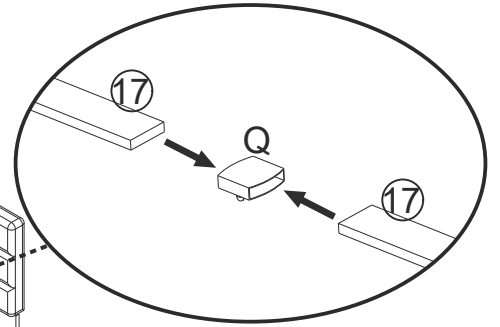
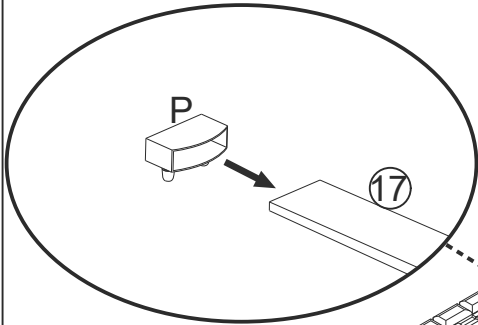
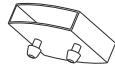
**There is Velcro at the bottom of the bed. You need to stick the L light strip to the bottom of the bed and then insert the light strip into the N adapter  
You can control the light strip with the remote control**

17

P x 24

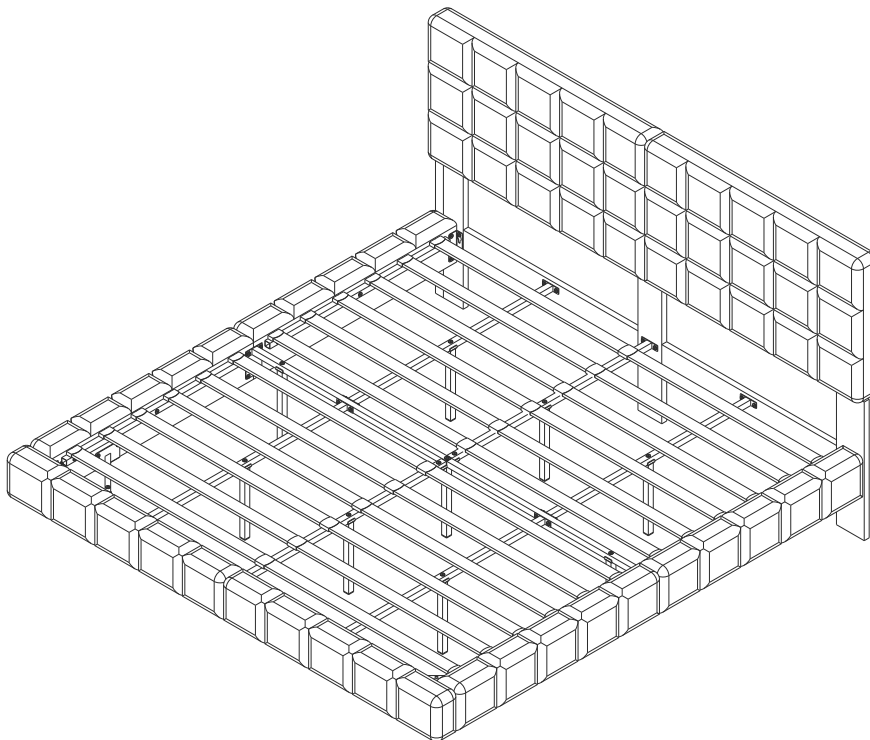


Q x 12



**Assemble the 17 components together with Part P and part Q as shown in the diagram, and then insert them into the bed together**

18



**Great! You have completed all the steps**