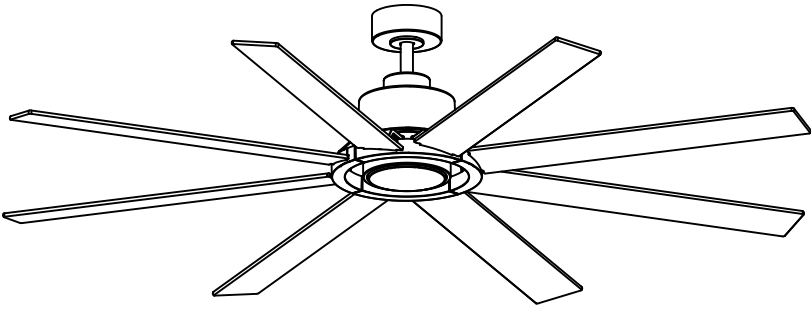


User Manual





- Thank you for purchasing this product! To ensure proper understanding and installation, please read this manual carefully.
- 42002 r20251203

Table of Contents

1、 Safety Precautions Before Fan Installation-----	1
2、 Parts Checklist-----	2
3、 Installing the Hanging Bracket-----	3
4、 Installing the Blades-----	4
5、 Installing the LED Board-----	6
6、 Installing the Downrod-----	8
7、 Installing the Main Fan-----	10
8、 Wiring Instruction-----	12
9、 Installing the Light cover-----	13
10、 Remote Control Instructions-----	14
11、 Change Downrod(OPT)-----	15

WARNING!

	Warning High Voltage Hazard: Do not open the rear cover unless you are a qualified technician!	
Warning: Electric Shock Hazard. Keep closing. Prevent Electric Shock: Do not open the cover. No user-serviceable parts inside. Consult a professional for servicing.		



This unit contains uninsulated high-voltage components. To avoid electric shock, do not remove the cover or rear panel unless you are a qualified technician.



Some parts are marked for safety. Replace components only with original specifications. This unit contains no user-serviceable parts. For repairs, contact authorized personnel.

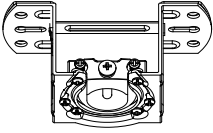
1、 Safety Precautions for Ceiling Fan Installation



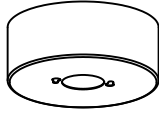
This fan must be installed by a manufacturer-approved or qualified professional. Do not attempt self-installation.

- 1) Turn off the power before installation or disassembly.
Follow the sequence:
Installation: Ground wire → Neutral wire → Live wire.
Disassembly: Live wire → Neutral wire → Ground wire.
- 2) Ensure all screws are securely tightened when installing the fan.
- 3) Keep all objects away from rotating blades during operation.
- 4) Maintain a minimum clearance of 2.3m from the floor and 80cm from walls to avoid injury.

2、Parts Checklist



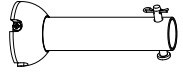
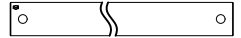
① Hanging bracket



② Canopy



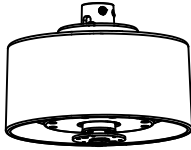
③ Canopy Cover



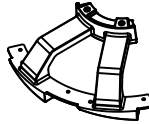
④ Long Downrod
Short Downrod



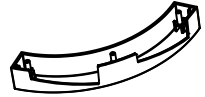
⑤ Adapter Cover



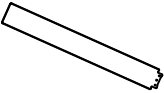
⑥ Motor



⑦ Blade Arm x4



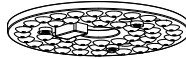
⑧ Blade Medallion x4



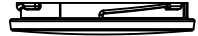
⑨ Blade x8



⑩ Light Plate



⑪ LED Board



⑫ Light Cover



Expansion Bolts x2



Flat Washers x4



Wood Screws x4



Wire Connectors x3



Blade Arm Screw x9



Blade Screws x25



Blade Washers x25



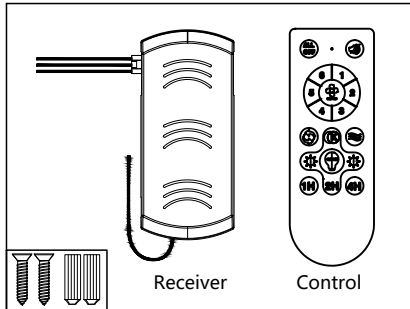
Blade Medallion Screws x13



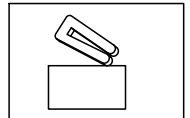
Light Plate Screws x4



LED Board Screws x4



⑭ Remote Components
(Including The Back Frame)



⑮ Balance kit

⑬ Hardware kit

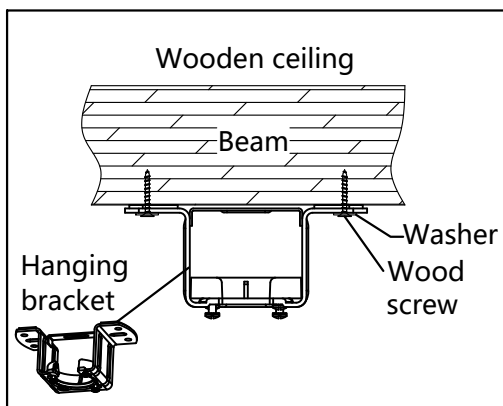
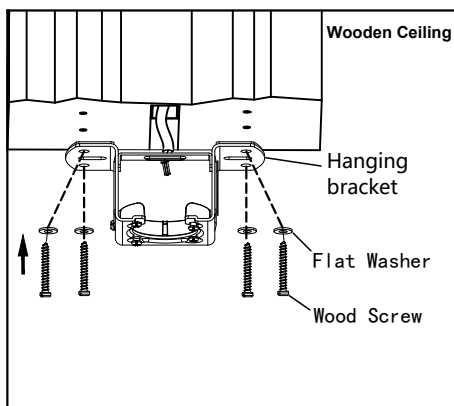


**Verify all parts in this list. Contact customer service if missing
Images are for reference only.**

3、 Installing the Hanging Bracket

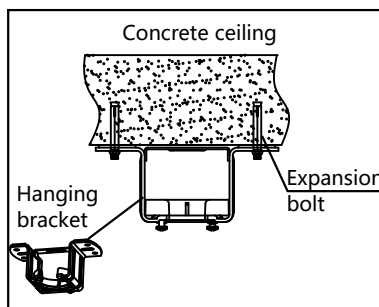
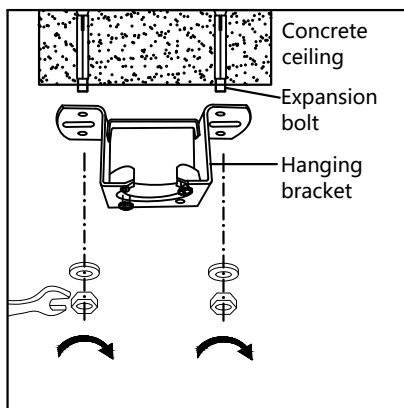
For Wooden Ceilings:

Use wood screws to secure the bracket to a beam or joist
(minimum wood thickness: 35mm).



For Concrete Ceilings:

- 1) Drill an 8mm hole (50mm depth) with an impact drill.
- 2) Secure the bracket using expansion bolts from the kit.



Drill an 8mm hole (50mm depth) with an impact drill first, then secure the bracket using expansion bolts from the kit.

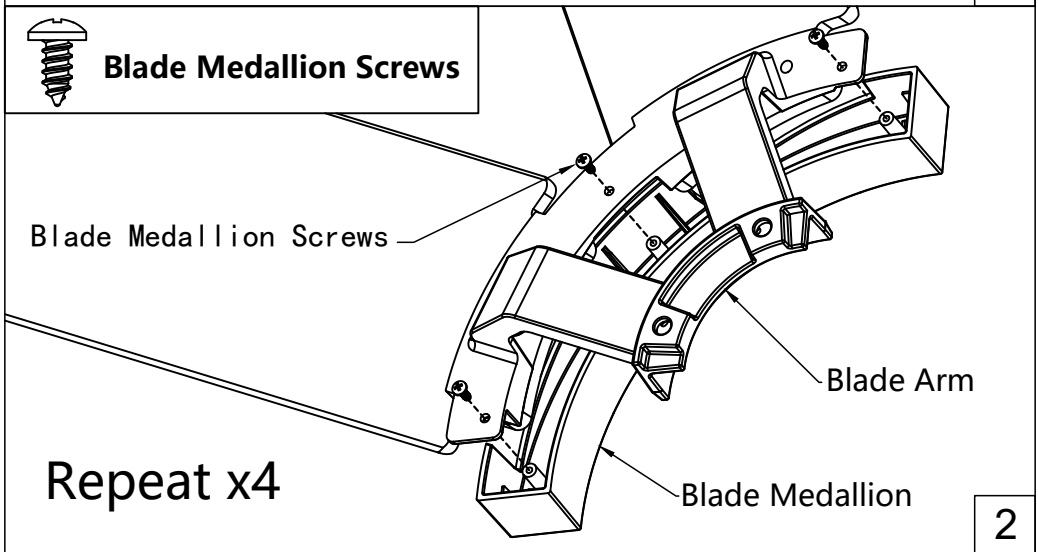
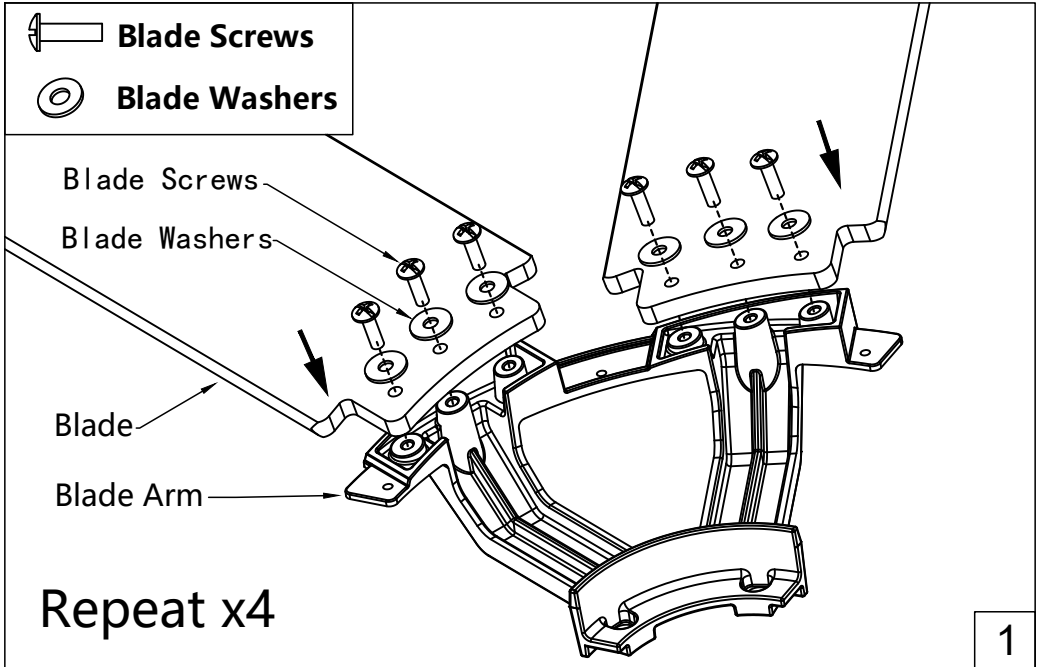


Note:

1. Use the correct screws for your ceiling type.
2. For wooden ceilings, ensure the installation area can support $\geq 30\text{kg}$ and the wood thickness is more than 35mm (no visible deformation when pulled).

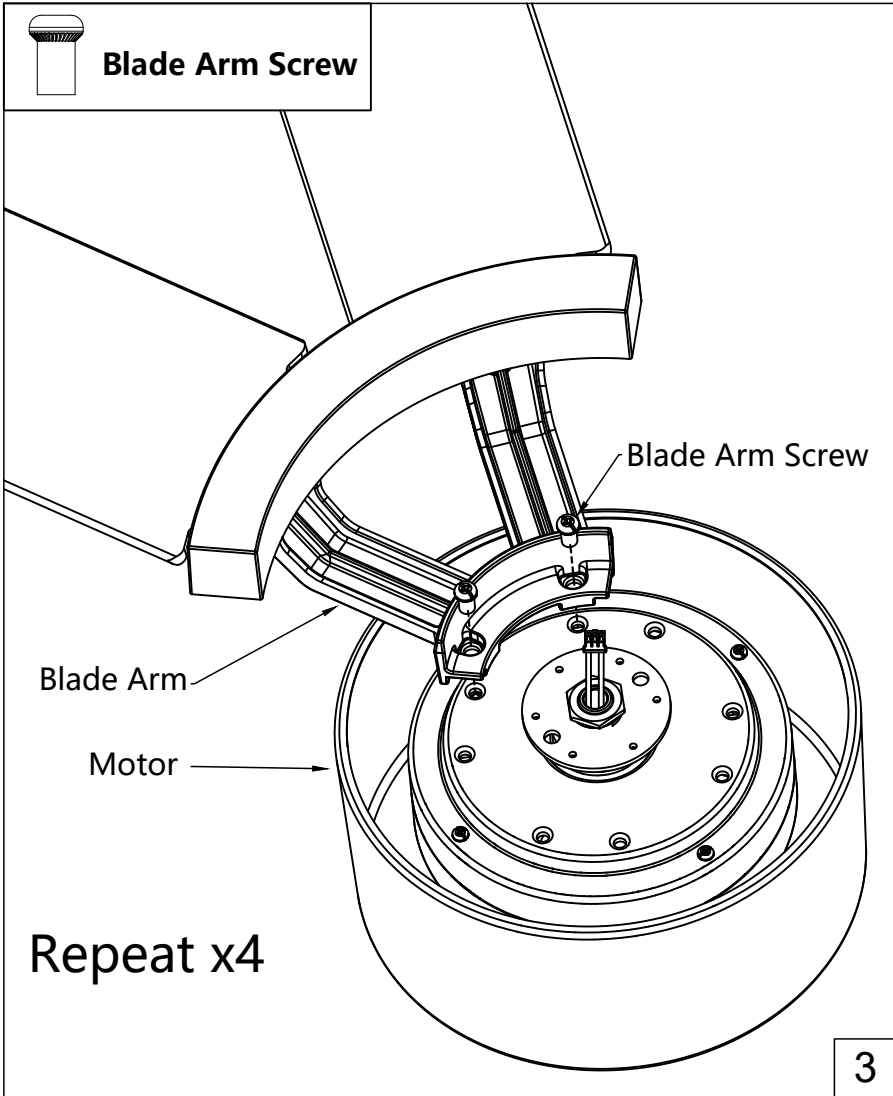
4、Installing the Blades

- 1) Align the blade arm with the screw holes of the fan blades and tighten the screws.
- 2) Align the installation holes of blade arm and blade medallion, and then use blade medallion screws to secure them.



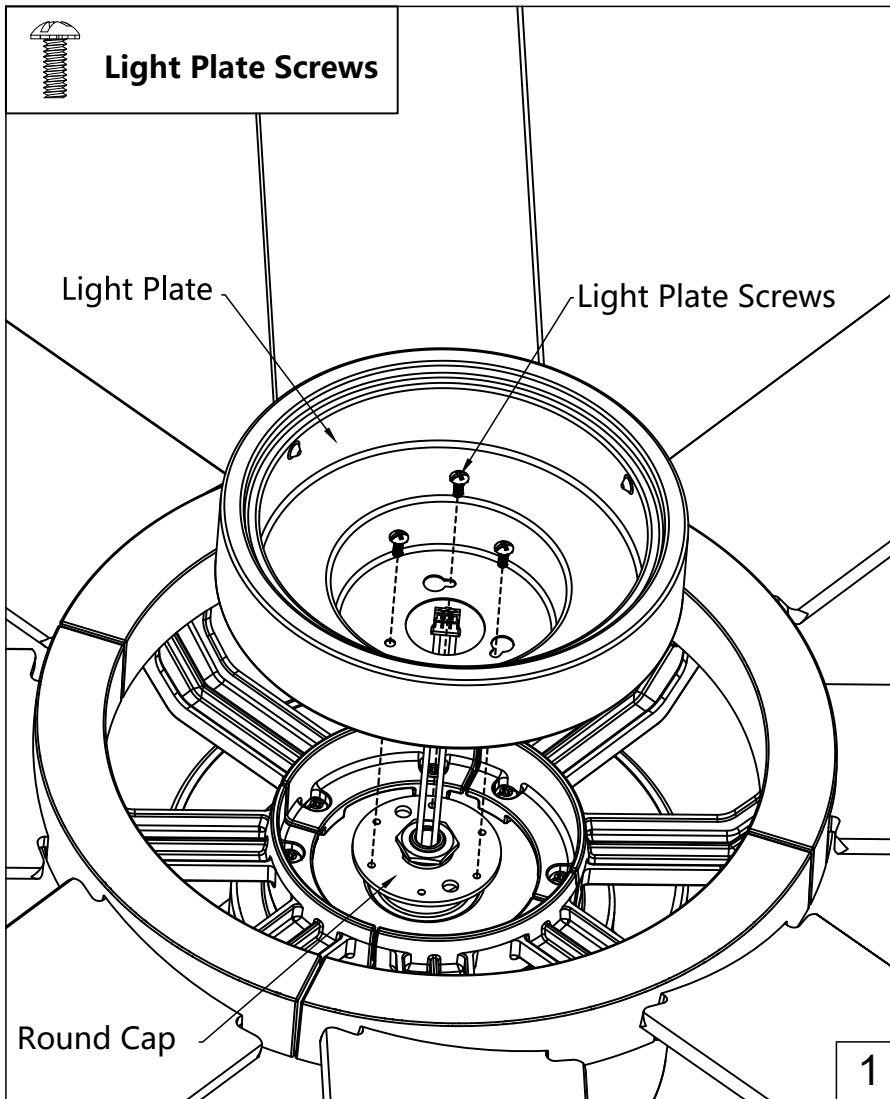
4、 Installing the Blades

3) Align the blade fork with the screw hole on motor, and then use blade Arm screws to secure them.



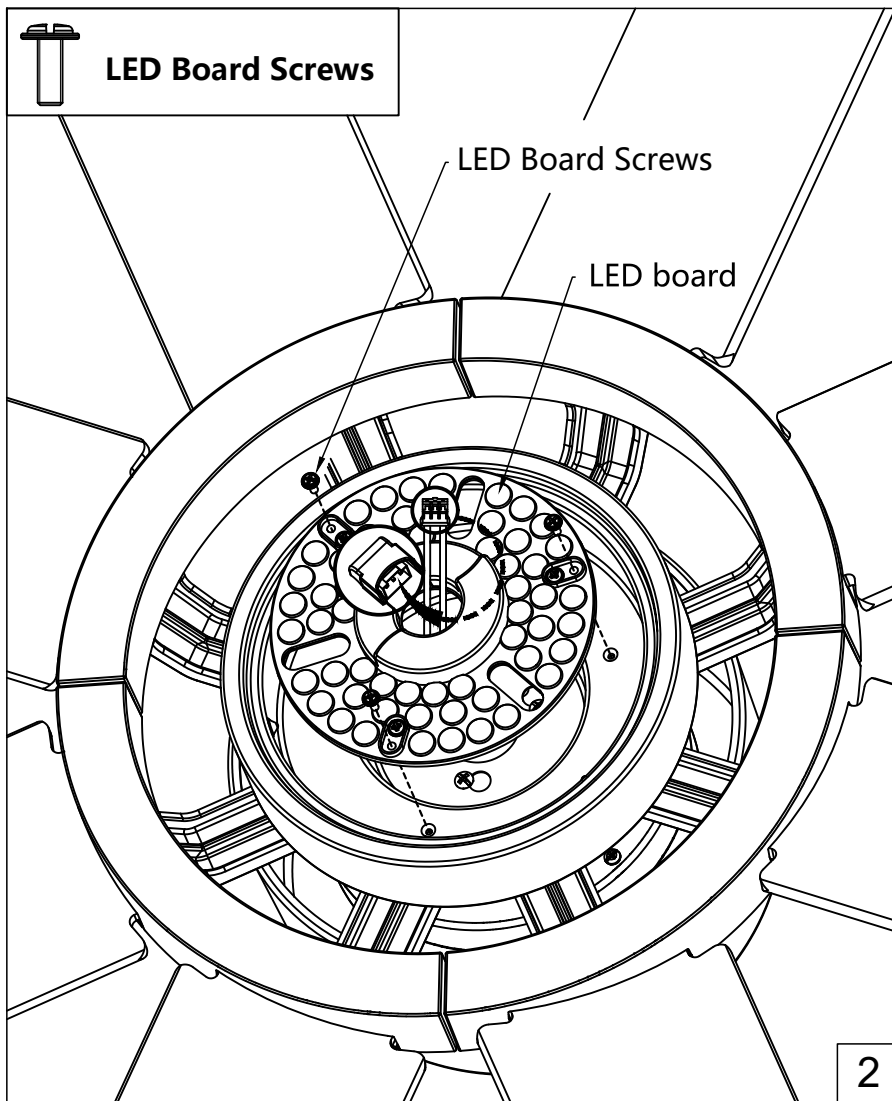
5、Installing the LED Board

- 1) Pass the lamp wire through the light plate, align the holes on the light plate with the screw holes on the round cover, and then use screws to tighten them.



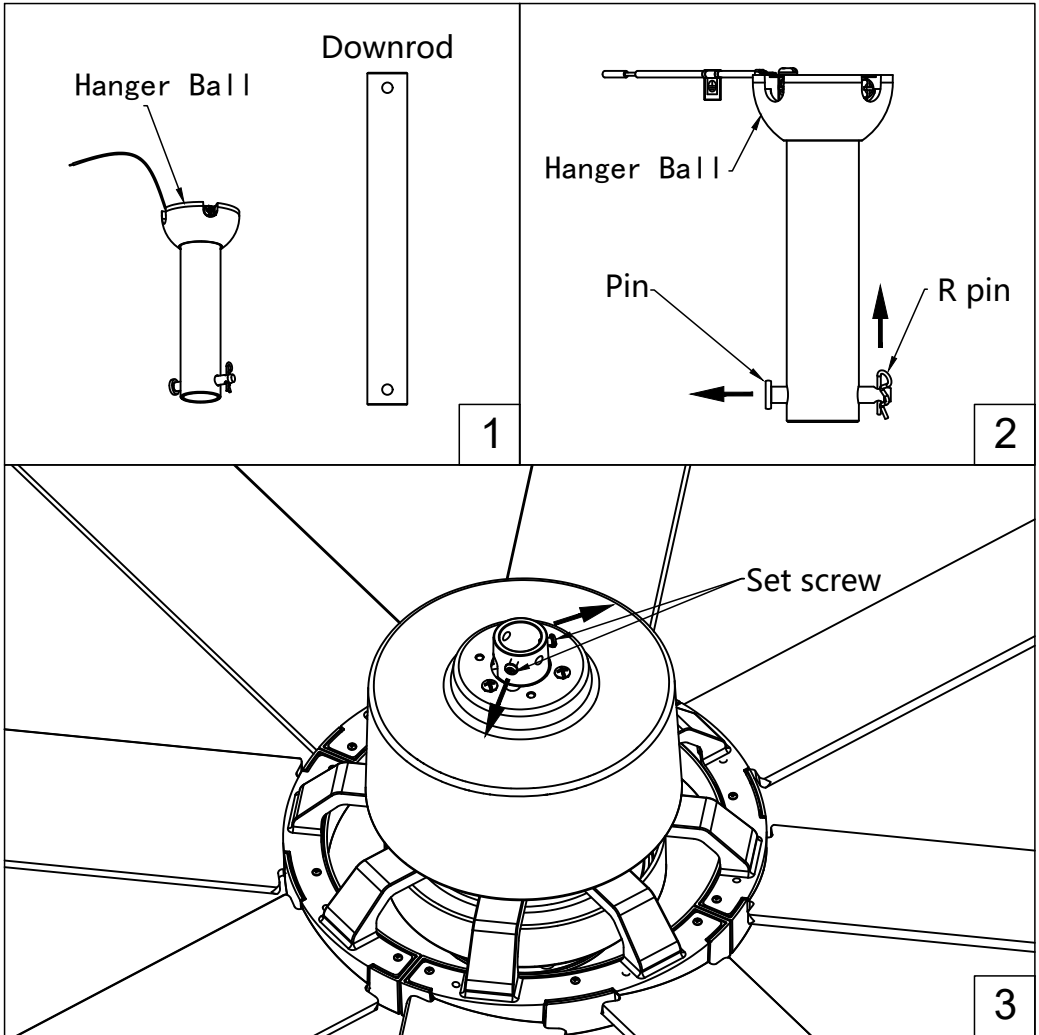
5、Installing the LED Board

2) Insert the lamp wire into the interface of the LED board. Align the LED board with the screw holes on the Light Plate, and then use LED board screws to tighten them.



6、 Installing the Downrod

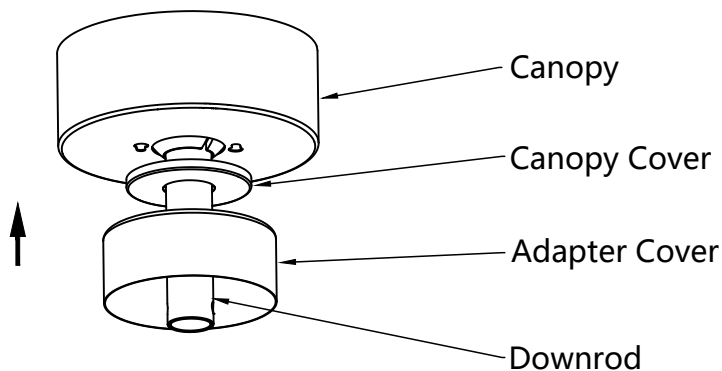
- 1) Select a suitable downrod. (The hanger ball is installed on the shortest boom by default, If you need to replace the boom with other sizes, Please refer to page 10.)
- 2) Take off the pin and R pin on the downrod.
- 3) Loosen the screws on the motor, and do not take them out completely.



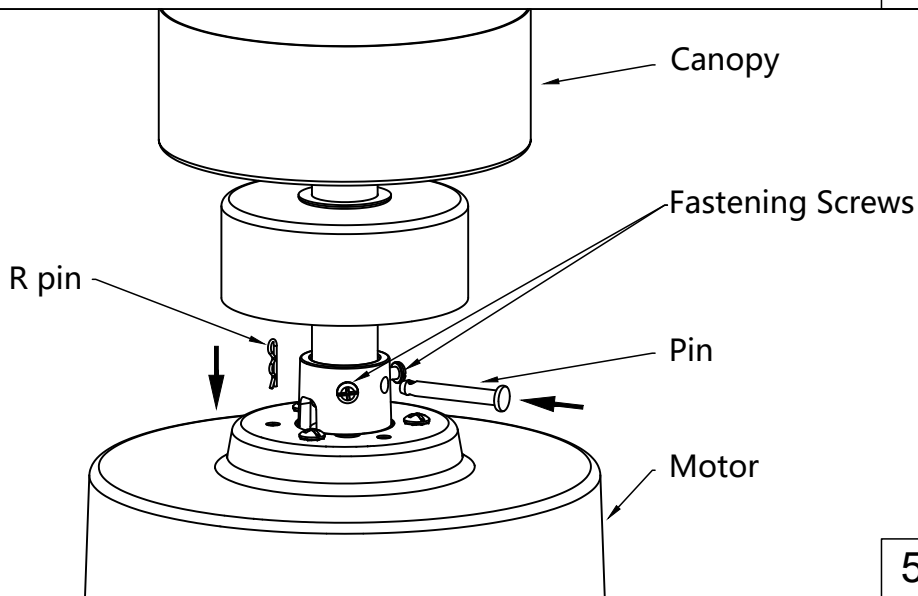
6、 Installing the Downrod

4) Assemble the canopy, canopy cover and adapter cover to the downrod in turn.

5) Thread the motor wire through the downrod, lock the pin with the R pin, and tighten the fastening screws.



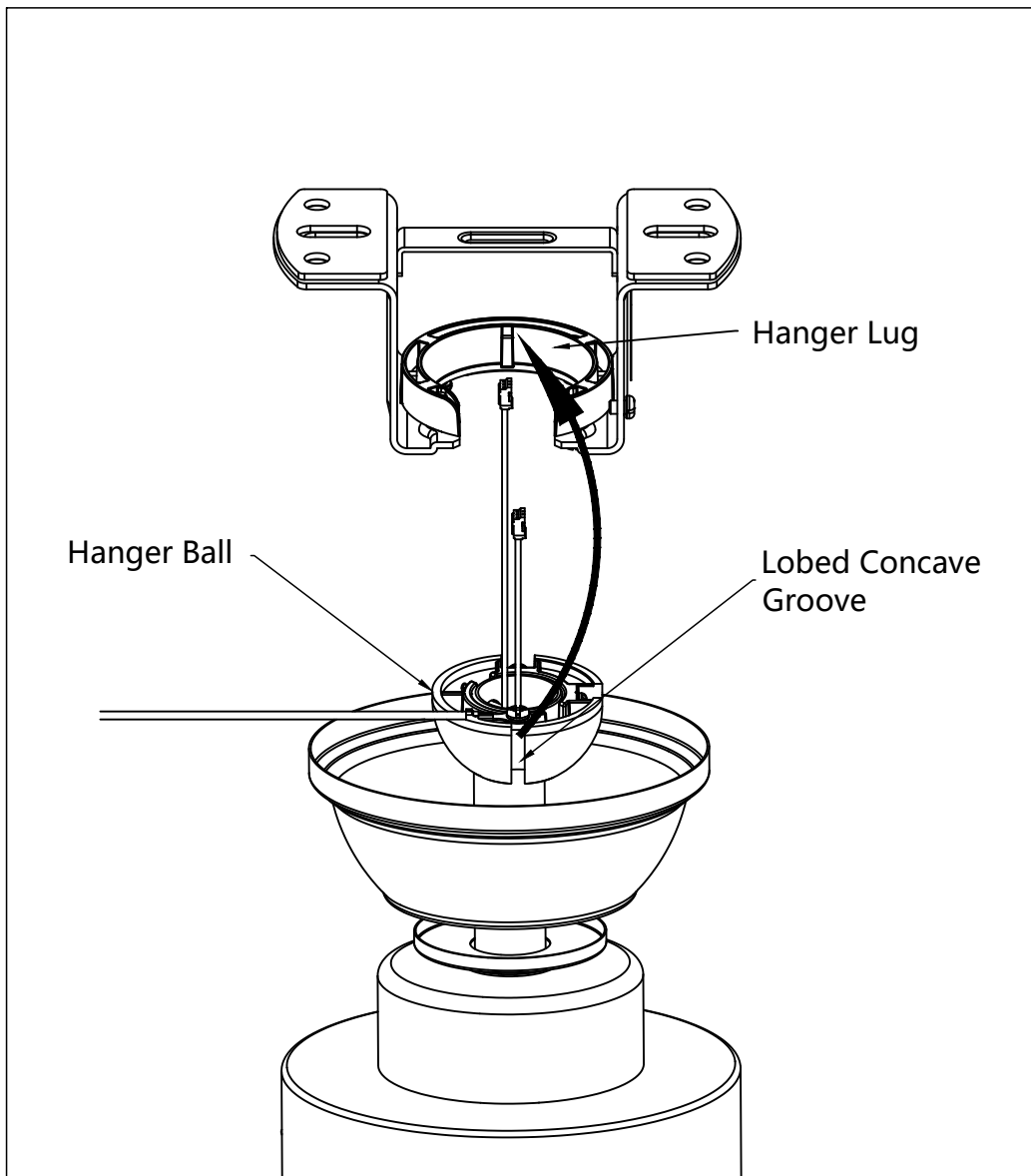
4



5

7、Installing the Main Fan

Lift the assembled fan onto the mounting bracket.



Note:

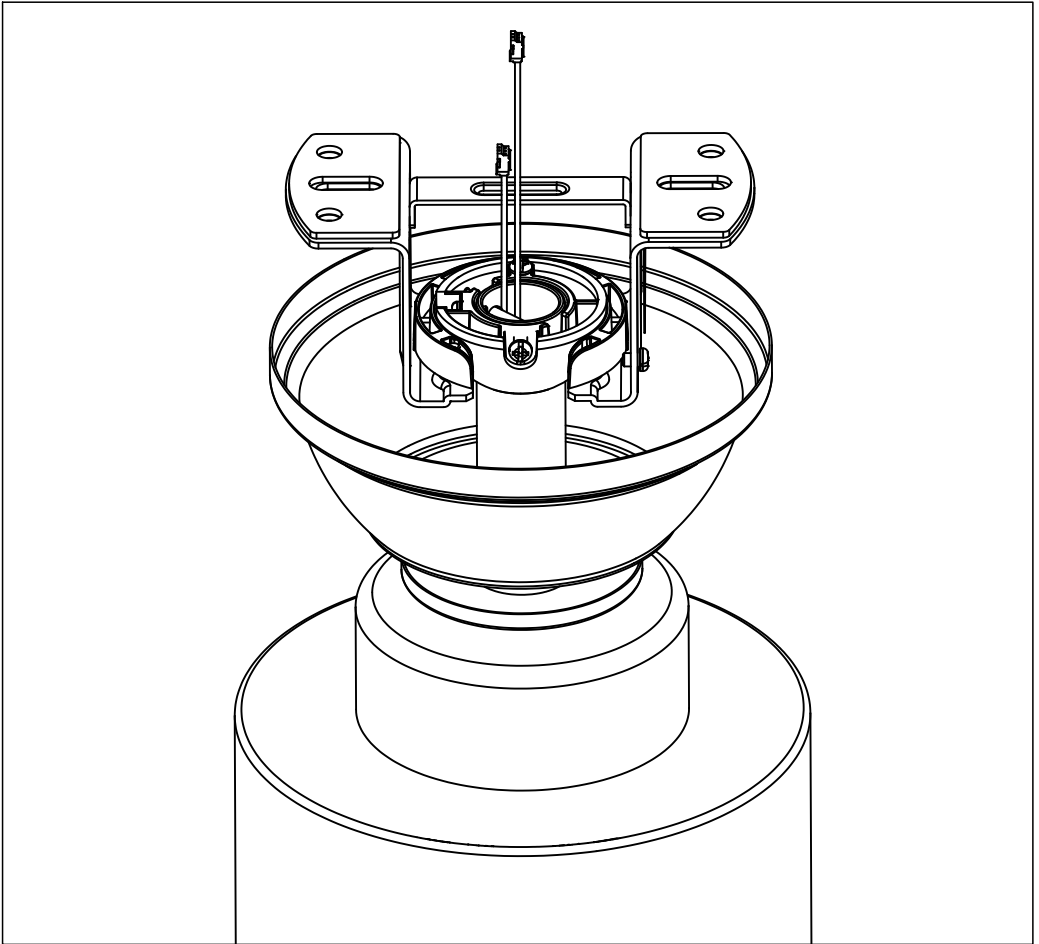
Fan style may vary.

7、 Installing the Main Fan

Ensure the concave groove of the hanger ball is positioned on the hanger lug of the mounting bracket.

Note:

When the shortest downrod is selected, it is a little difficult for the hanger ball to pass through the hanger lug. at this time, it is easier to place the hanger ball into the hanger lug at an angle.

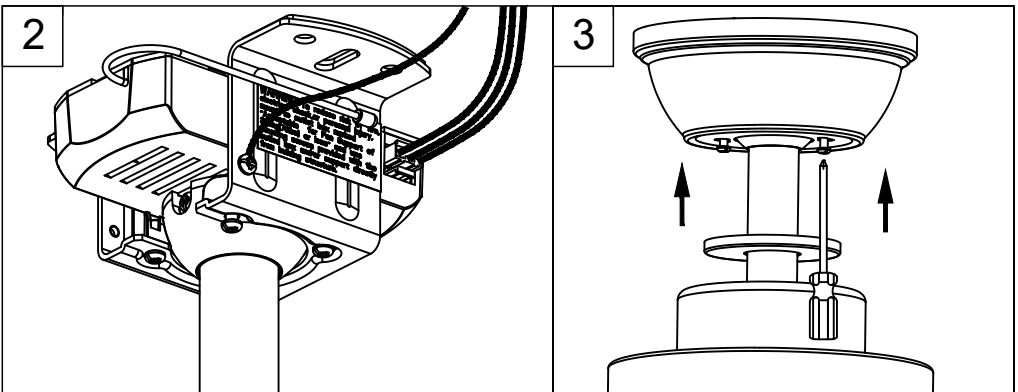
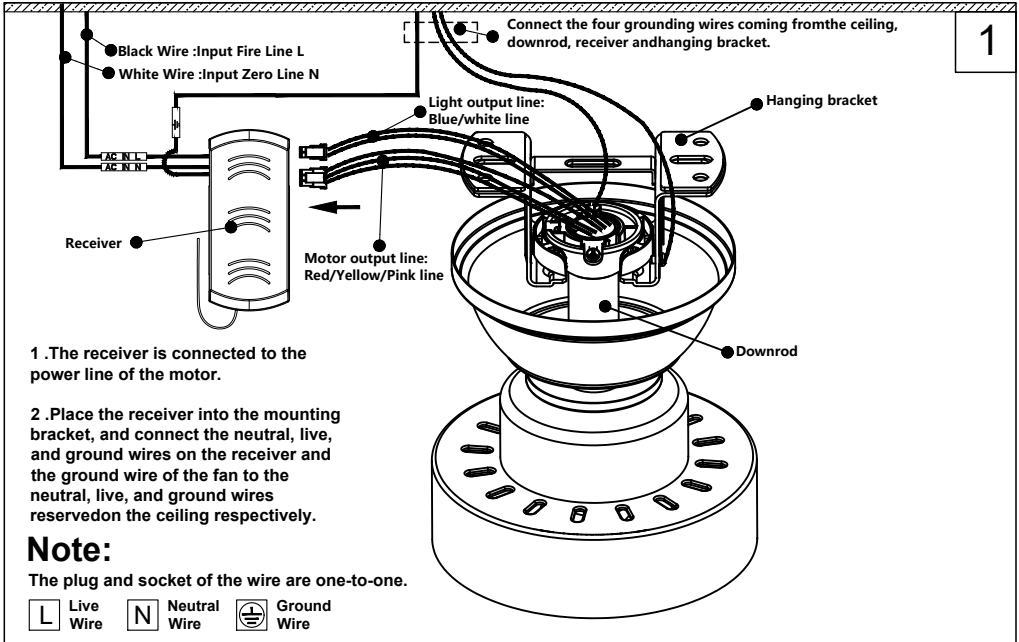


Note:

Fan style may vary.

8、Wiring Instruction

- 1) Connect the neutral wire, live wire and ground wire on the receiver to the neutral wire, live wire and ground wire reserved on the ceiling respectively.
- 2) Insert the receiver into the Hanging bracket
- 3) Cover the receiver and power cord, tighten the screws

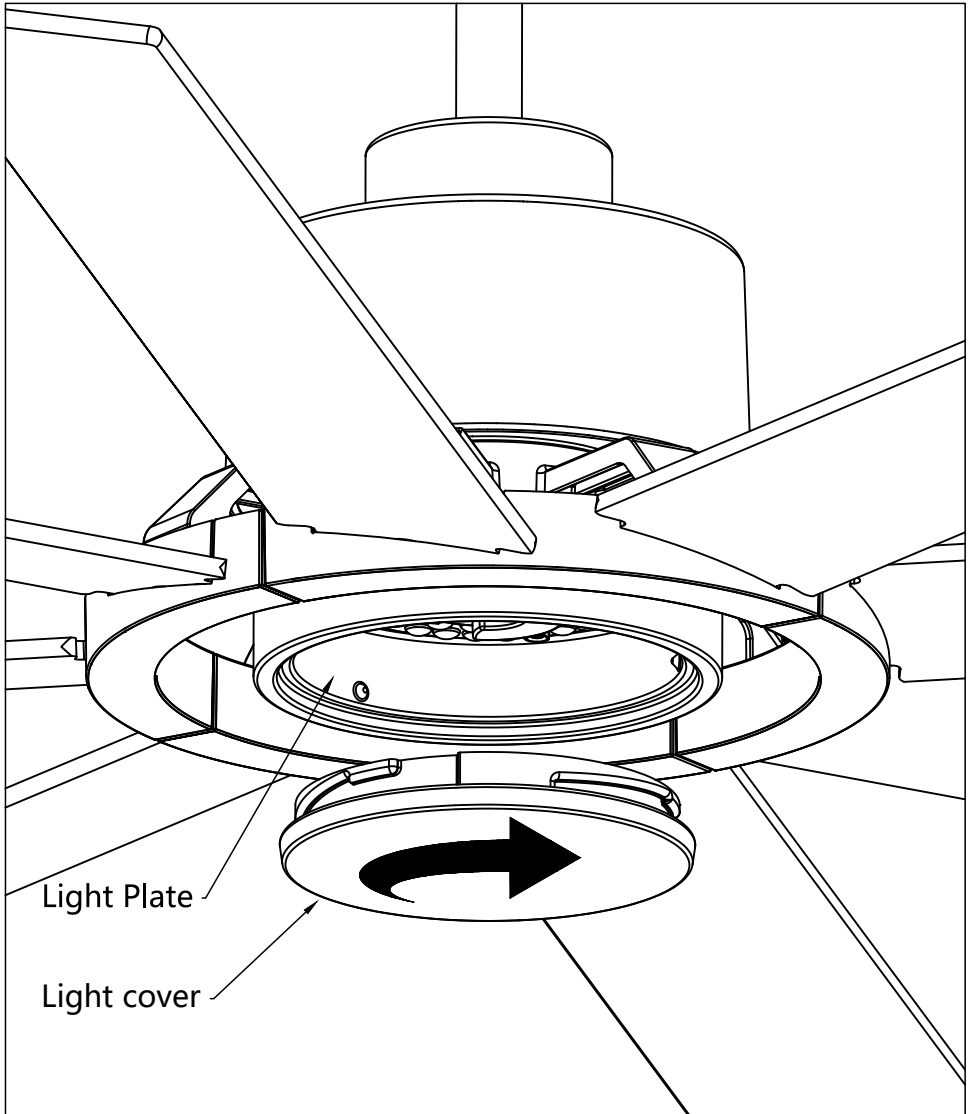


Note:

Fan style may vary.

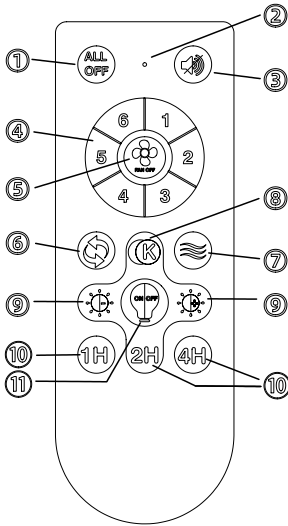
9、 Installing the Light cover

Put the light cover to the light plate. Tighten the light cover clockwise until it stops.



9、Remote Control Instructions

FUNCTION INTRODUCTION

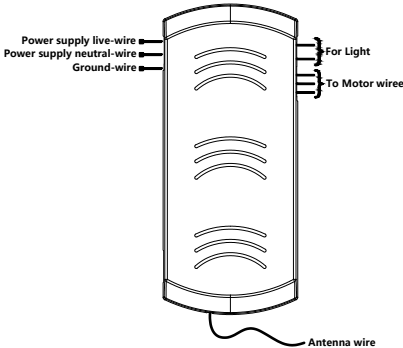


- ① Turn off all fans and lights
- ② Indicated light
- ③ Buzzer On/Off, press and hold this button for 3 seconds to turn on or off
- ④ 1-6 wind speeds
- ⑤ Fan off
- ⑥ Fan forward/reverse button
- ⑦ Natural wind
- ⑧ CCT color temperature switching
- ⑨ Increase brightness and decrease brightness, click to change by 10%; Long press to change by 1%
- ⑩ Timer Setting
- ⑪ Lamp Switch

WARNING

1. In case of problems such as remote control, the first time to replace the battery attempt.
2. When the emitter cannot control the receiver, please check the battery switch touching normally or not, correction of the positive and negative, full or empty of the power.
3. Please remove the battery if not used for a long time to avoid battery aging and leakage that may damage the remote control.
4. Do not disassemble the remote control to avoid damaging the internal electronic components

WIRING SCHEMATIC DIAGRAM FOR RECEIVER



KINDLY REMINDERS

The Remote Control And Receiver Have Been Coded, when The Emitter Cannot Control The Receiver, Please Check The Battery Switch Touching Normally Or Not, Correction Of The Positive And Negative, Full Or Empty Of The Power. If Not, Please Matching The Code Again.

Code Matching Process

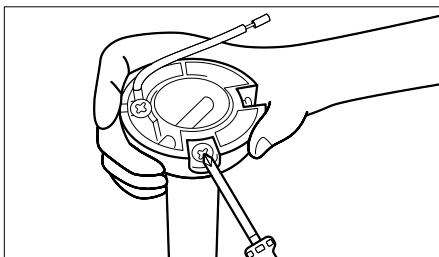
After the receiver is powered off for 2 minutes, turn on the power switch and hear a "beep sound. Immediately press and hold the fan button for 5 seconds, hear the buzzer sound three times that the code has been successfully matched.

NOTES

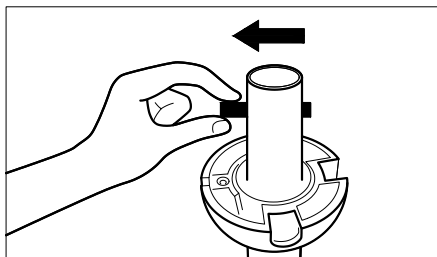
1. During the installation process, the power must be cut off.
2. Do not disassemble the remote control to avoid damaging the internal electronic components
3. When the emitter cannot control the receiver, please check is there any existence of similar remote controlled products nearby, then check whether they works, because remote controlled product with the same frequency will disturb each other
4. Low battery voltage will affect the sensitivity of the emitter and the signal reception accordingly (the indicated light will flash out its warning when the battery get low voltage), must replace if the battery is getting low voltage.
5. When installing the fan, the fan ceiling cover don't press the antenna (or other wires, it is easy to breakdown the wire and short-circuited.

11、 Change Downrod(OPT)

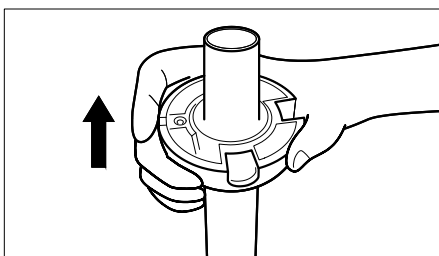
If you need to change different length downrod, please follow these steps



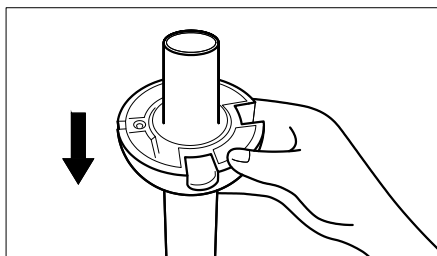
① Loosen the screws on the hanging ball.



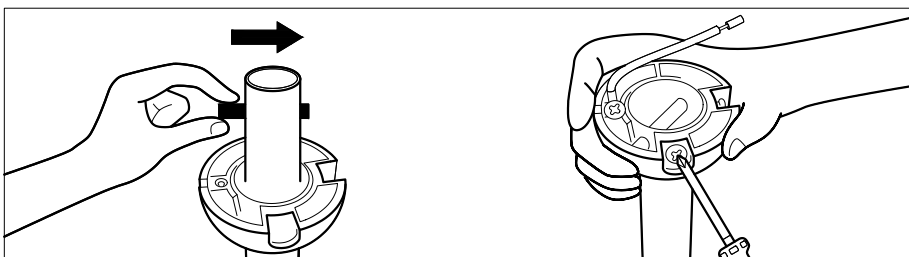
② Remove the metal bar



③ Take off the hanging ball from the original downrod.



④ Install the hanging ball to an appropriate downrod.



⑤ Insert the metal bar and tighten the screws.