

# Product Installation Manual



1. Check that all the accessories are complete



3. The corresponding numbers are locked together. Please remember that is 1 and that is 2



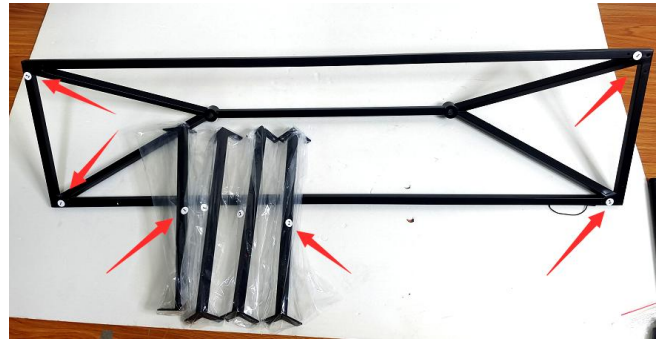
5. Install the lower frame as shown in the figure, and then lock all the screws.



7. Install 2 tubes with long external teeth on the lamp cap tube, and install the main frame as shown in the figure.



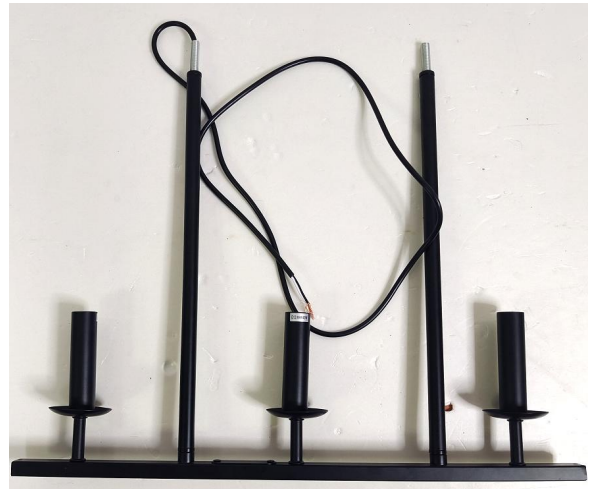
8. When installing the chassis, pay attention to the ground wire, which is between the gear gasket and the nut.



2. When installing the frame, pay attention to numbers 1 and 2. Lock the screws according to the corresponding numbers. Please do not lock them. There is a certain loose position. Lock them all after the lower frame is locked.



3. The corresponding numbers are locked together. Please remember that is 1 and that is



6. Install 2 tubes with long external teeth on the lamp cap tube, and install the main frame as shown in the figure.

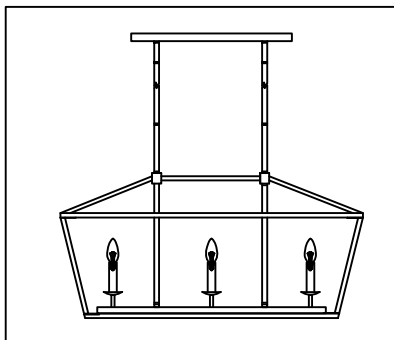
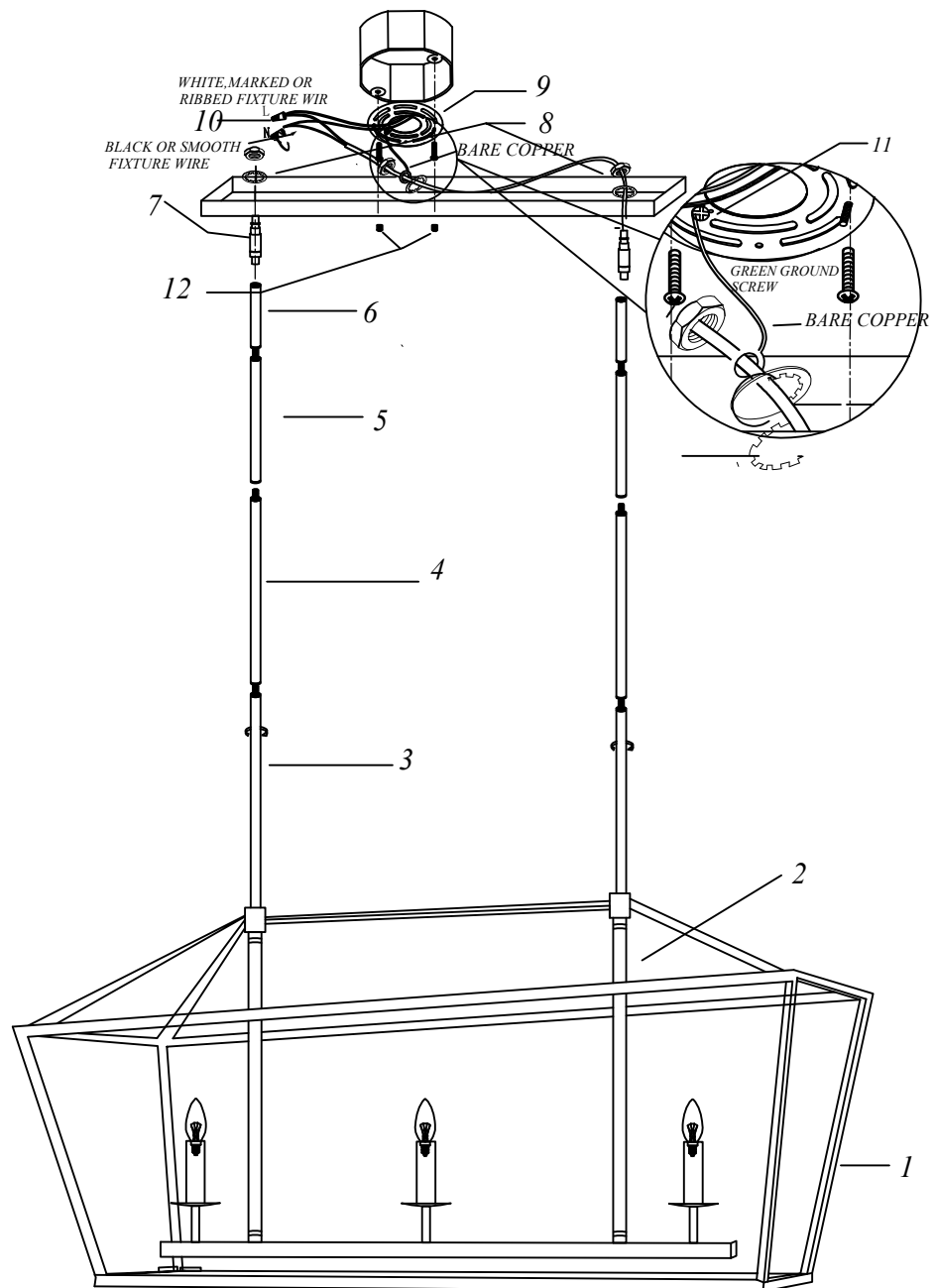
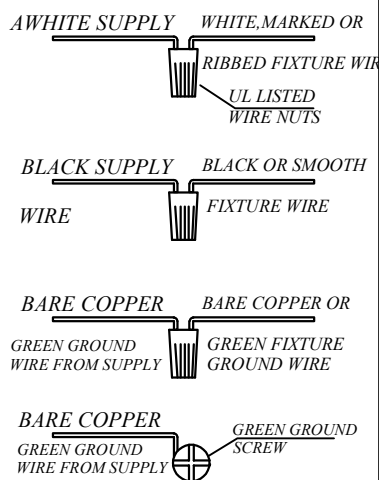


9. All tubes are installed according to the length you need, and finally the chassis.

# Product Installation Manual

**WARNING - if any Special Control Devices are used with this Fixture, Follow the instructions Carefully to assure full compliance With N.E.C. requirements. if there are any questions, contact a Qualified Electrical Contractor,**

Attach(N),(P) to achieve overall desired length.  
 Una (N),(P) para lograr la longitud deseada.  
 Joignez(N),(P) pour obtenir la Longueur voulue.



1. AC110~130V ,50~60Hz. The Max lamps power is 60W TYPE S Bulb,
2. Avoid to scratch the surface of lighting and the wires when install it.
3. Connect the live wire with the black wire, the zero wire with the white wire, and wrap the bare copper wire on the green screw with the symbol (L-L, N-N.)
4. Don't install it to the ceiling before it's completely dry, the surrounding around must be ventilated and dry.
5. Keep away from the acid, basily objeds and gases, clean with soft cloth, water washing is not allowed.
6. The lighting must be installed by professional electrician and used indoor only.
7. Please keep attention to cut off the power supply when installing cleaning, and replacino bulb.