

ePX3100V

ELECTRIC PRESSURE WASHER

2100 PSI | 1.76 GPM

DO NOT RETURN THIS PRODUCT TO THE STORE
If you have questions or need assistance, please call customer
service at 855-944-3571.

TABLE OF CONTENTS

Introduction.....	2-3
Safety	4-7
Electrical.....	8
Components	9
Assembly.....	10-12
Operation.....	12-15
Care and maintenance	15-17
Troubleshooting.....	17
Warranty.....	18
Service Hotline/Company Address.....	Back Page

INTRODUCTION

⚠ WARNING This product and other substances that may become airborne from its use contain chemicals, including lead, known to the State of California to cause cancer, birth defects, or other reproductive harm. **Wash hands after handling.** For more information go to www.P65warnings.ca.gov.

DISCLAIMERS

All information, illustrations, and specifications in this manual were in effect at the time of publishing. The illustrations used in this manual are intended as representative reference views only. We reserve the right to make any specification or design change without notice.

ALL RIGHTS RESERVED

All rights reserved. No reproduction allowed in any form without written permission from Westinghouse Outdoor Power Equipment.



⚠ DANGER Read this manual before using or performing maintenance on this product. Failure to follow the instructions and safety precautions in this manual can result in serious injury or death.

UPDATES

The latest User Manual for your Westinghouse products can be found under our support tab. wpowereq.com/pages/manuals

Or scan the following QR code with your smartphone camera to be directed to the link.



PRODUCT REGISTRATION

For trouble-free warranty coverage, it is important to register your Westinghouse product.



You can register by:

- Completing and mailing the product registration card included in the carton.
- Registering your product on-line at: wpowereq.com/pages/warranty-registration
- Scanning the above QR code with your smartphone camera to be directed to the mobile registration link.

For Your Records

Date of Purchase: _____

Model Number: _____

Serial Number: _____

Place of Purchase: _____

- Sending the following product information to:

Westinghouse Outdoor Power

Warranty registration

777 Manor Park Drive

Columbus, OH 43228

IMPORTANT: Keep your purchase receipt for trouble-free warranty coverage.

INTRODUCTION

SPECIFICATIONS

Water Temperature	Cold Water Only	Rated Water Flow Rate	1.2 US GPM (4.54 LPM)
Peak Pressure	2100 PSI	Phase	Single
Rated Max Pressure.....	1800 PSI	Input.....	120 V, AC only, 60 Hz, 13 Amps
Maximum Water Flow Rate	1.76 US GPM (5.3 LPM)		

⚠ WARNING NEVER spray directly at a person, animal, electrical device, or the unit itself. Failure to heed this warning could result in serious injury, electric shock, or death.

NOTICE NEVER allow the pressure washer pump to run for more than one minute after you have turned off the water supply. This can cause the motor and pump to overheat and fail. ALWAYS unwind the garden hose completely and remove any objects that may be restricting or preventing the flow of water to the machine.

NOTICE Thank you for choosing Westinghouse! PLEASE READ BEFORE RETURNING THIS PRODUCT FOR ANY REASON.

If you have a question or experience a problem with your Westinghouse purchase, call us at 1-855-944-3571 to speak with an agent.

SAVE THIS MANUAL FOR FUTURE REFERENCE.

HAVE QUESTIONS?
Email us at service@wpowerreq.com
or call 1-855-944-3571

SAFETY

SAFETY DEFINITIONS

The words DANGER, WARNING, CAUTION, and NOTICE are used throughout this manual to highlight important information. Make sure that the meanings of this safety information is known to all who operate, perform maintenance on, or are near the pressure washer.



This safety alert symbol appears with most safety statements. It means attention, become alert, your safety is involved! Please read and abide by the message that follows the safety alerts symbol.

DANGER Indicates a hazardous situation which, if not avoided, will result in death or serious injury.

WARNING Indicates a hazardous situation which, if not avoided, could result in death or serious injury.

CAUTION Indicates a hazardous situation which, if not avoided, could result in minor or moderate injury.

NOTICE Indicates a situation which can cause damage to the pressure washer, personal property, and/or the environment, or cause the equipment to operate improperly.

NOTE: Indicates a procedure, practice or condition that should be followed for the pressure washer to function in the manner intended.

SAFETY SYMBOLS

Follow all safety information contained in this user's manual as well as the information on the product labeling.

Symbol	Description
	Safety Alert Symbol
	Risk of Injection.
	Electric Shock
	Risk of Explosion. Never spray flammable liquids. Flammable liquids and their vapors can be explosive.
	Do Not Operate in Wet Conditions
	Read Manufacturer's Instructions
	Kickback.
	Double-insulated construction
	Wear eye and ear protection

IMPORTANT SAFETY INSTRUCTIONS

⚠ WARNING To reduce the risk of injury, the user must read and understand the instructions before using this product.

⚠ WARNING **Risk of liquid injection.** Never spray humans or animals, as injury could result. Engage trigger lock when the pressure washer is not in use.

⚠ WARNING When using this product, basic precautions should always be followed, including the following:

- **ALWAYS** take time to read all the instructions before using the product.
- It is recommended to carefully read understand all operating aspects of the pressure washer outlined in this manual to avoid personal injury and/or damage to property and to maximize your pressure washing experience.
- Understand and know how to safely stop the product and bleed pressures quickly. Be fully familiar with all controls.
- Follow the maintenance instructions as specified in the manual.
- **DO NOT** use your pressure washer when you are under the influence of alcohol or drugs. Use this power tool carefully and only when you are alert.
- Keep operating area clear of all people, animals and hazardous objects.
- **DO NOT** overreach or stand on unstable support. Keep good footing and balance at all times.
- **The pressure washer is equipped with a Ground Fault Circuit Interrupter (GFCI) which greatly reduces the chance of electric shock while the unit is in use. If replacement of the plug or cord is needed, use only identical replacement parts.**

KEEP THESE INSTRUCTIONS FOR FUTURE REFERENCE.


GROUND FAULT CIRCUIT INTERRUPTER PROTECTION

This pressure washer has a ground-fault circuit-interrupter (GFCI) built into the plug of the power-supply cord. A GFCI provides additional protection from the risk of electric shock. If replacement of the plug or cord is necessary, use identical replacement parts that include GFCI protection.

SERVICING OF A DOUBLE-INSULATED APPLIANCE

In a double-insulated product, two systems of insulation are provided instead of grounding. Grounding means are not provided for a double insulated product, nor should grounding means be added to the product.

Servicing a double-insulated product requires extreme care and knowledge of the system, and should only be done by qualified service personnel.

A double-insulated product is marked with the words “**DOUBLE INSULATION**” or “**DOUBLE INSULATED**”. This symbol  may also be marked on the product.

SAFETY

- Failure to read and follow the instructions in user manual(s) could result in death, bodily injury, and/or property damage.
 - When using the pressure washer near children, make sure they are closely supervised by an adult to avoid injury. **NEVER** let a child use the pressure washer.
 - This pressure washer conforms to CSA and other safety and consumer standards. **DO NOT** modify or rebuild any part of your pressure washer.
 - Watch your balance and footing while using your pressure washer. Surfaces become slippery when wet and are extra slippery when using a detergent or cleaner.
 - **NEVER** operate the pressure washer in bare feet, sandals, or open-toed shoes.
 - **DO NOT** touch the high pressure spray with your fingers, hands, feet and be careful to avoid any contact with your eyes as the powerful spray can cause blindness or blast holes in the skin.
 - **ALWAYS** wear eye protection to prevent injury to eyes when operating the pressure washer.
 - To avoid accidents causing injury, **ALWAYS** use the trigger safety lock when the pressure washer is not in use even if the spraying stops for a moment.
 - Point the spray gun in a safe direction when beginning to use your pressure washer.
 - **NEVER** spray directly at a person, animal, electrical device, or the unit itself. The pressure washer can break glass if hit with direct contact.
 - Hold the spray gun and lance with two hands (one hand to pull the trigger and the other to stabilize the gun) until you get used to the “recoil”.
 - When you stop the pressure washer, water pressure may remain in the system. To release the pressure, point the spray gun in a safe direction and pull the trigger.
 - **NEVER** spray flammable liquids.
 - **NEVER** use the pressure washer in areas that contain combustible dust, liquids or vapors.
 - Examine the hose regularly. Replace if damaged. Due to the high pressure involved, it cannot be repaired if cut or damaged.
 - Only use detergent specifically formulated for pressure washers and follow instructions on the detergent’s label.
 - Detergent can be harmful to your skin, eyes and lungs. Please be cautious when handling any chemicals. Dish and laundry soap is too thick and will clog the nozzle of your detergent bottle.
- NOTICE** Store the pressure washer indoors in a heated environment to prevent the water in the unit from freezing and expanding. When the water freezes and expands, the high-pressure pump will crack and render the pressure washer inoperable. It is recommended you use pump saver (not included) to protect pumps from freezing and cracking.
- **NEVER** use hot water with your pressure washer. It will overheat and damage the seals and components in the high-pressure pump that cannot be repaired.
 - **NEVER** leave the pressure washer “ON” while it is unattended.
 - **ALWAYS** turn the water supply “ON” before turning the pressure washer power to “ON”. Running the pump dry of water will cause damage to the internal components and render the pressure washer inoperable.
 - **NEVER** use a water supply to your pressure washer that exceeds 150 PSI maximum.
 - **NEVER** disconnect the high pressure hose from the pressure washer while the system is pressurized.
 - **NEVER** permanently engage the trigger mechanisms on the spray gun.
 - **NEVER** operate the pressure washer unless all components are properly and securely connected.
 - **NEVER** allow the pressure washer pump to run for more than one minute after you have turned off the water supply. This can cause the motor and pump to overheat and fail.
 - **NEVER** use an extension power cord.
 - **NEVER** use an extension power cord since it causes voltage drop and can burn the motor. Also increases risk of electric shock to the operator.
 - **NEVER** use lances or other parts that are not compatible for this specific Westinghouse unit.
 - **NEVER** spray any electrical outlet with your pressure washer.
 - Inspect the power cord before using. **DO NOT** use it if it is damaged.
 - Keep all connections dry and off the ground. **DO NOT** touch the plug with wet hands.

SAFETY

SAFETY LABELS AND DECALS

The following information is on your pressure washer's labels and decals.

① Water and Detergent Information

- For cold water use only.
- Use only pressure washer detergents

② Specifications

(See page 3)

③ California Proposition 65

Cancer and reproductive harm - www.P65Warnings.ca.gov/product

④ EZ Start Instructions

Refer to the "EZ Start Instructions" label and the instructions in the *Operations* section when starting and stopping the pressure washer.

⑤ Nozzle Label

- 15° Yellow
- 25° Green

⑥ Safety Symbols

(See page 4)

⑦ Caution Statement

Before servicing, cleaning or removing parts, shut off the power and relieve the pressure.

⑧ WARNING

- Failure to read and follow the instructions in user manual(s) could result in death, bodily injury, and/or property damage.
- ALWAYS point gun in safe direction and squeeze spray gun trigger to release pressure and avoid kickback each time.
- The spray gun kicks back- Hold firmly with two hands.
- Risk of liquid injection. Never spray humans or animals, as injury could result. Engage trigger lock when the pressure washer is not in use.
- Risk of eye injury. Always use caution. Wear safety goggles with side shields.
- Risk of electrocution. Never spray water on any electric power sources.
- Do not store the machine or accessories in a place where the temperature could drop below 40°F (4.5°C).

① FOR COLD WATER USE ONLY
USE ONLY PRESSURE WASHER DETERGENTS

⑤ 15° Yellow 25° Green

②

Peak Pressure <i>Presión Pico Presion Dr Crête</i>	2100 PSI (2100 LB/PO2)
Rated Max Pressure <i>Presión Máxima Nominal Presion Nominal Maximal</i>	1800 PSI (1800 LB/PO2)
Maximum Water Flow Rate <i>Tasa Máxima De Flujo De Agua Débit D'eau Maximum</i>	1.76 US GPM (6.6 LPM)
Rated Water Flow Rate <i>Tasa de flujo de agua nominal Débit d'eau nominal</i>	1.2 US GPM (4.54 LPM)
Rating <i>Clasificación Évaluation</i>	120V 1 ph/monophasé, AC 60Hz 13A
Model <i>La Maqueta Modèle</i>	ePX3100v

③

WARNING: Cancer and reproductive harm - www.P65Warnings.ca.gov/product
 AVERTISSEMENT: Cancer et problèmes de reproduction - www.P65Warnings.ca.gov/product
 ADVERTENCIA: Cáncer y daños al sistema reproductor - www.P65Warnings.ca.gov/product

Westinghouse Outdoor Power Equipment
Columbus Ohio 43228 USA
Made in Vietnam

⑥ **⑦** **⑧**

Westinghouse

WARNING:

1. Failure to read and follow the instructions in user manual(s) could result in death, bodily injury, and/or property damage.
2. ALWAYS point gun in safe direction and squeeze spray gun trigger, to release pressure and avoid kickback each time.
3. The spray gun kicks back- Hold firmly with two hands.
4. Risk of liquid injection. Never spray humans or animals, as injury could result. Engage trigger lock when the pressure washer is not in use.
5. Risk of eye injury. Always use caution. Wear safety goggles with side shields.
6. Risk of electrocution. Never spray water on any electric power sources.
7. Do not store the machine or accessories in a place where the temperature could drop below 40 °F (4.5 °C).

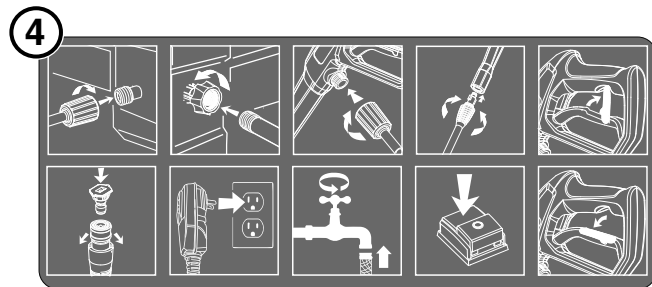
ADVERTENCIA:

1. No leer y seguir las instrucciones en los manuales podría resultar en muerte, lesiones corporales y / o daños a la propiedad.
2. EMPRESA punter la pistola a en una dirección segura y apropiada el gatillo DE la pistola a adoración para liberar la presión y evitar el retroceso cada a vez.
3. La pistola a adoración retro-cede - Sujetar firmemente con las dos manos.
4. Riesgo DE inyección de líquido. Nunca rocíe a seres humanos o animales, ya que podría provocar lesiones. Enganche el seguro del gatillo cuando la lavadora de presión no está en uso.
5. Riesgo de lesiones oculares. Utilice siempre gafas de seguridad con protección lateral.
6. Riesgo de electrocución. Nunca rocíe agua sobre ninguna fuente de energía eléctrica.
7. No guarde la máquina ni los accesorios en un lugar donde la temperatura pueda disminuir por debajo de los 40 ° F (4.5 ° C).

AVERTISSEMENT:

1. Le fait de ne pas lire et suivre les instructions du (des) manuel (s) de l'utilisateur peut entraîner le mort, des blessures corporelles et / ou des dommages matériels.
2. Pointez TOUJOURS le pistolet dans une direction sûre et appuyez sur la gâchette du pistolet de pulvérisation pour relâcher la pression et éviter les rebonds à chaque fois.
3. Le pistolet de pulvérisation recule - Tenez fermement avec deux mains.
4. Risque d'injection de liquide. Ne pulvérisiez jamais sur des humains ou des animaux, car cela pourrait vous blesser. Engagez le verrouillage de la gâchette lorsque le nettoyeur haute pression n'est pas utilisé.
5. Risque de blessure aux yeux. Utilisez toujours des lunettes de sécurité avec protection latérale.
6. Risque d'électrocution. Ne vaporisez jamais d'eau sur les sources d'alimentation électrique.
7. Ne stockez pas la machine ou les accessoires dans un endroit où la température pourrait descendre en dessous de 40 ° F (4,5 ° C).

CAUTION PRECAUCIÓN MISE EN GARDE



ELECTRICAL

DOUBLE INSULATION

Double insulation eliminates the need for a three-wire grounded power cord. Double insulated products do not need to be grounded because exposed metal parts are covered in protective insulation that isolates them from internal metal motor components.

WARNING

A double insulated system is designed to protect against shock caused by a break in the product's internal insulation. To avoid electric shock, follow all ordinary safety procedures.

NOTE: Double insulated products should only be serviced by qualified service technicians. For more information, contact Westinghouse customer service toll-free at 1 (855) 944-3571.

AC MOTOR

The electric motor in this product was designed to work with a **nominal 120V/60Hz AC power supply (average U.S. household circuit)**. It is not intended to operate on direct current (DC). A significant voltage drop will result in a loss of power and could damage the motor.

GROUND FAULT CIRCUIT INTERRUPTER PROTECTION

See Figure 1.

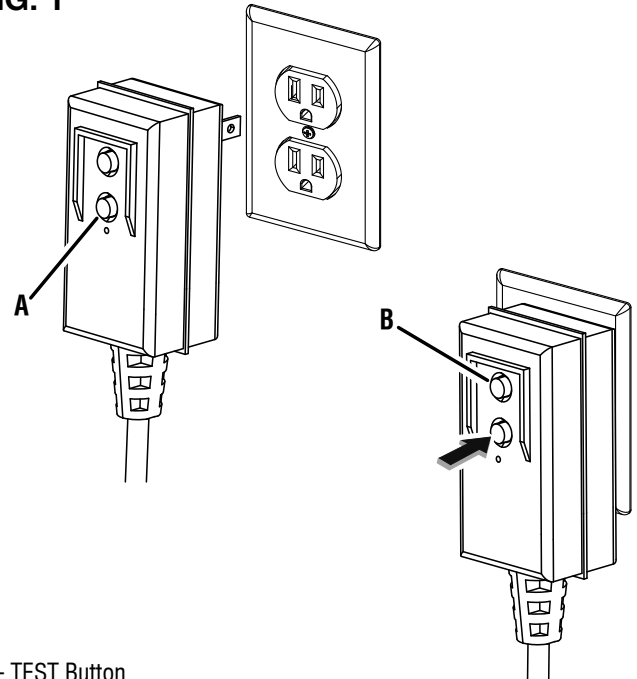
This pressure washer has a ground-fault circuit-interrupter (GFCI) built into the plug of the power-supply cord. A GFCI protects against ground fault currents such as a current that would flow through a person standing on a wet surface while holding a product with faulty insulation. GFCI plugs do not protect against shocks, short circuits, and overloads. If replacement of the plug or cord is necessary, use identical replacement parts that include GFCI protection.

To test the GFCI:

- Plug the power supply cord into a receptacle.
- Press the TEST button and listen for a "click" indicating that the connection to the power supply was broken.
- Press the RESET button to restore power to the device. The LED light will turn on when power is restored.

Test the GFCI monthly to ensure proper operation.

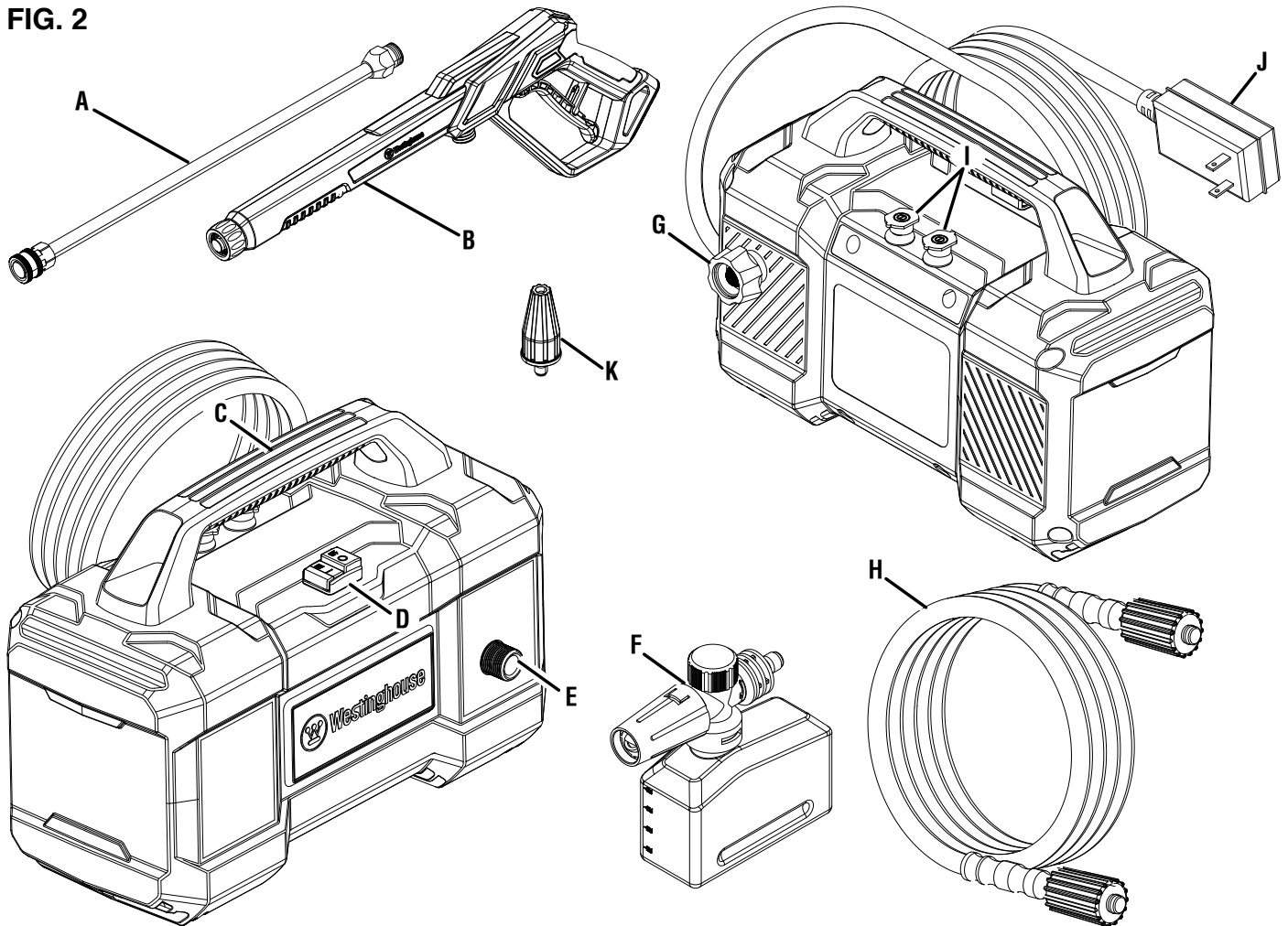
FIG. 1



A - TEST Button
B - RESET Button

COMPONENTS

FIG. 2



- A - Lance
- B - Spray Gun
- C - Handle
- D - On/Off Button

- E - Threaded Outlet
- F - Foam Cannon
- G - Water Inlet
- H - High Pressure Hose

- I - Nozzles
- J - Power Cord
- K - Turbo Nozzle

UNDERSTANDING YOUR PRESSURE WASHER

See Figure 2.

To reduce the risk of injury and product failure, read and understand the information in this user's manual as well as the information on the product labeling.

FOAM CANNON

Use the foam cannon to generate thick clinging foam to break up grease, grime, and stains.

HANDLE

Use the handle when transporting the unit.

HIGH PRESSURE HOSE

The high pressure hose included with this unit is light weight, flexible, and durable. When not in use, the hose can be stored on the hose retainer.

NOZZLES

Nozzles of varying sizes are included with this unit and can be used for different cleaning applications.

ON/OFF BUTTON

Push once to start the pressure washer. Push again to stop the pressure washer.

SPRAY GUN

Use the spray gun and lance to control and direct the stream of water.

TURBO NOZZLE

The turbo nozzle delivers a powerful rotating 0° spray pattern that cleans large areas faster than standard nozzles.

ASSEMBLY

⚠ WARNING Do not connect the pressure washer to a power supply until it is fully assembled. To avoid accidental starting and possible serious injury, only connect a power supply when the pressure washer is ready for use.

REMOVING CARTON CONTENTS

⚠ WARNING This product requires assembly. Do not attempt to operate this product if any items in the **INCLUDED LIST** are already assembled when you remove the carton contents. These items are not assembled by the manufacturer and should require customer assembly. Using an improperly assembled product can be hazardous and could result in serious personal injury.

- Carefully cut down the sides of the packaging and remove the carton contents.
- Inspect the carton contents. Verify that all the items in the **INCLUDED LIST** are present and undamaged.
- Recycle or dispose of the packaging materials properly.

INCLUDED LIST

See Figure 3.

Pressure Washer, Spray Gun, Lance, Nozzles (15° and 25°), High Pressure Hose, Foam Cannon, Turbo Nozzle, Quick Start Guide, User Manual

If any parts are missing, contact our service team at service@wpower.com or call 1-855-944-3571.

CONNECTING THE LANCE TO THE SPRAY GUN

See Figure 4.

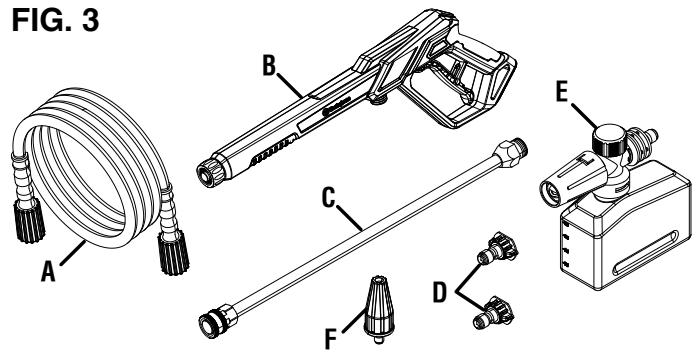
- Push the lance into the spray gun and turn clockwise to tighten. **Do not overtighten.**
- Gently pull on the lance to be certain it is secured.

CONNECTING THE HIGH PRESSURE HOSE TO THE SPRAY GUN

See Figure 5.

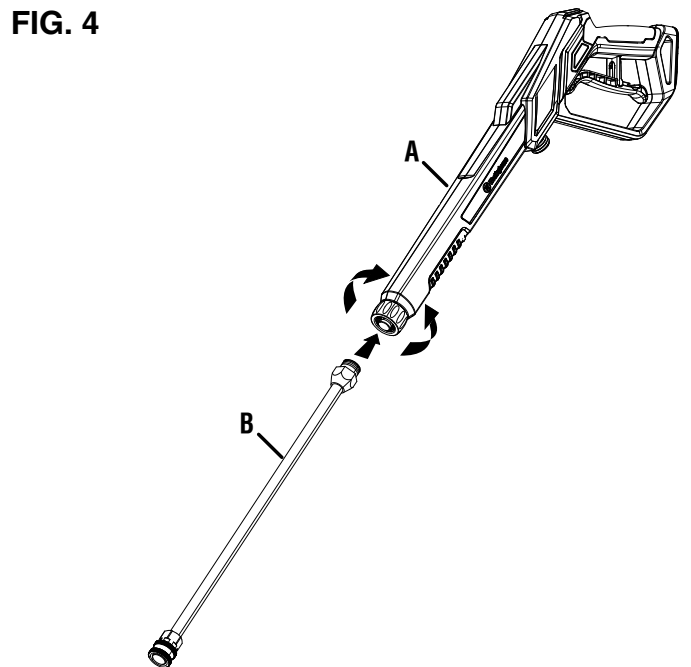
- Pull the collar on the high pressure hose back and push the hose fitting firmly into the spray gun.
- Screw the collar onto the spray gun and tighten securely.
NOTE: Be careful not to damage the threads on the spray gun doing so could cause the gun to leak during use.
- Gently pull on the hose to be certain it is secured.

FIG. 3



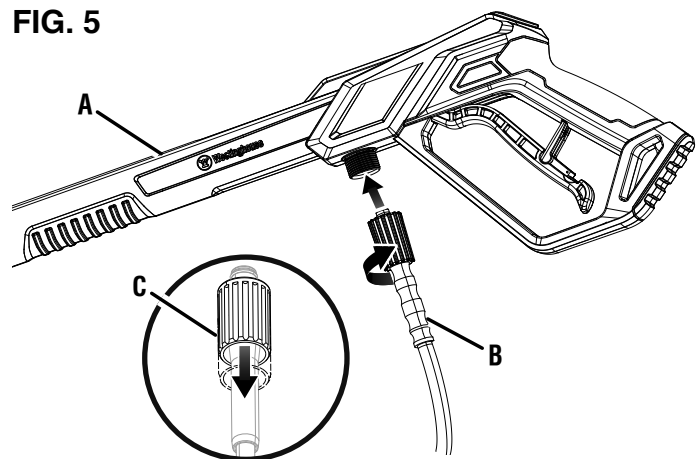
- A - High Pressure Hose
- B - Spray Gun
- C - Lance
- D - Nozzles
- E - Foam Cannon
- F - Turbo Nozzle

FIG. 4



- A - Spray Gun
- B - Lance

FIG. 5



- A - Spray Gun
- B - High Pressure Hose
- C - Collar

ASSEMBLY

CONNECTING THE HIGH PRESSURE HOSE TO THE PRESSURE WASHER

See Figure 6.

- Uncoil and straighten the high pressure hose to remove any bends or kinks.
- Pull the collar on the high pressure hose back and push the hose fitting firmly into the threaded outlet on the pressure washer.
- Screw the collar onto the outlet and tighten securely.

NOTE: Be careful not to damage the threads on the outlet doing so could cause the unit to leak during use.

- Gently pull on the hose to be certain it is secured.

CONNECTING A GARDEN HOSE TO THE PRESSURE WASHER

See Figure 7.

NOTICE Follow local regulations and ordinances when connecting your pressure washer to a water supply. Some jurisdictions may prohibit you from connecting directly to public drinking water in order to prevent the possibility of chemicals feeding back into the system. Connections made through a backflow preventer or receiver tank are generally permitted.

NOTICE The water used in this device must come from a water main. **DO NOT** use this device with water from a lake, pool, pond, etc. **NEVER** use hot water with this product.

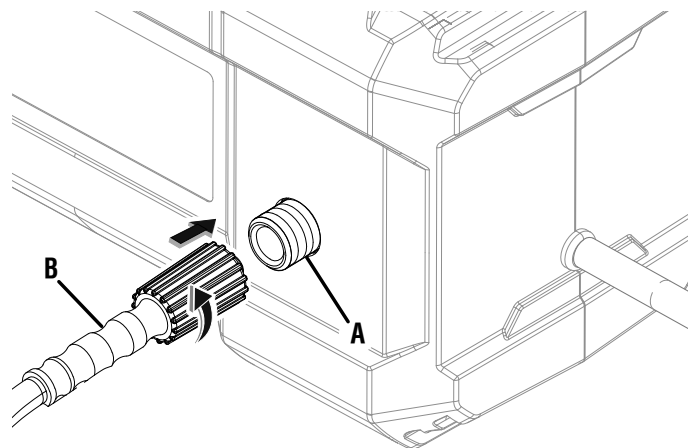
- Turn the water faucet completely off.
- Uncoil and straighten the garden hose to remove any bends or kinks.
- Flush water through the hose for several seconds to remove debris and then turn the faucet off again.
- Inspect the screen inside the water inlet for damage or clogs. Clean or replace as needed. **NEVER** connect a garden hose without the screen in place.
- Insert the garden hose into the water inlet.
- Thread the collar on the inlet onto the garden hose. Tighten securely.

NOTICE ALWAYS turn the water supply “ON” before turning the pressure washer power to “ON”. Running the pump dry of water will cause damage to the internal components and render the pressure washer inoperable.

OVERVIEW

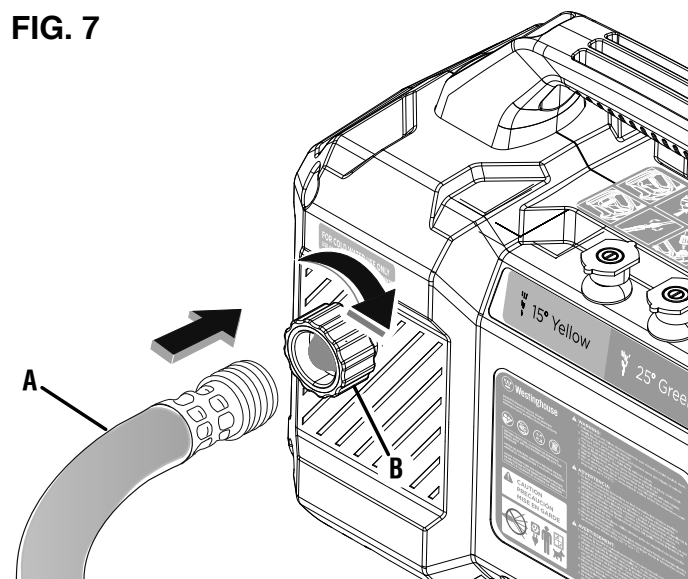
This pressure washer can produce very high levels of water pressure and can be used for a variety cleaning applications such as cleaning decks and walkways, washing vehicles and equipment; and removing dirt from home exteriors and fences.

FIG. 6



A - Threaded Outlet
B - High Pressure Hose

FIG. 7



A - Garden Hose
B - Water Inlet

OPERATION

⚠ WARNING Do not alter or modify this product unless instructed to so in this manual or by the manufacturer. Do not use attachments or accessories that are not recommended for use with this product. Making unauthorized modifications and using incompatible accessories can damage the unit and may void your warranty.

⚠ WARNING ALWAYS wear eye protection to prevent injury to eyes when operating the pressure washer.

⚠ WARNING NEVER spray directly at a person, animal, electrical device, or the unit itself. Failure to heed this warning could result in serious injury, electric shock, or death.

STARTING AND STOPPING THE PRESSURE WASHER

See Figure 8.

- Connect a garden hose as described previously and turn the water on.

NOTICE ALWAYS turn the water supply "ON" before turning the pressure washer power to "ON". Running the pump dry of water will cause damage to the internal components and render the pressure washer inoperable.

- Connect a garden hose and turn the water on.
- Put the on/off switch in the OFF position (O).
- Completely unwind the power cord and connect it to a grounded 120 volt outlet.

⚠ WARNING Keep all connections dry and off the ground. Do not touch the plug with wet hands.

- Hold the spray gun with both hands and point the lance in a safe direction.

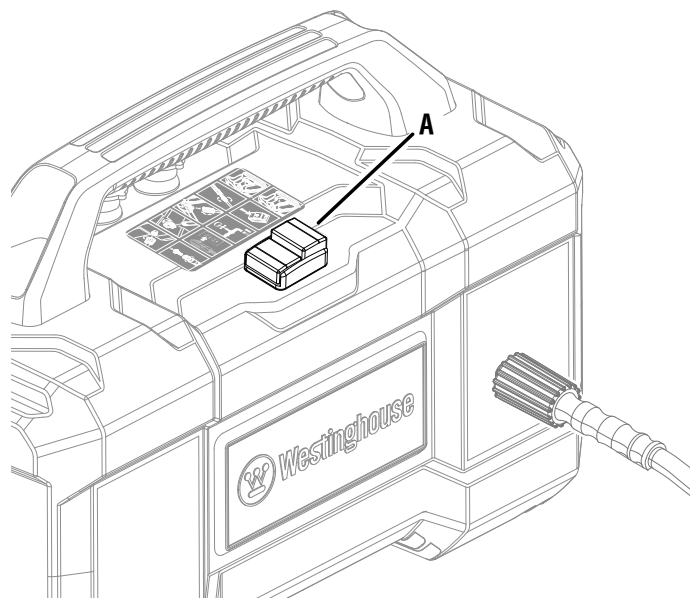
- Release the safety lock and squeeze the trigger to release water and air out of the hose. Continue squeezing the trigger until there is a steady stream of water, then release and lock the trigger. Refer to **Using the Spray Gun** later in this section.

- Put the on/off button in the ON position (I) to start the pressure washer. The unit will run for several seconds and shut off. This is a normal function of the auto-start feature.

NOTE: The unit could be pressurized even if you don't hear the motor and pump running. Always be cautious when you are around a pressure washer.

- Put the on/off switch in the OFF position (O) to stop the pressure washer.
- When you stop the pressure washer, water pressure may remain in the system. Point the spray gun in a safe direction and pull the trigger to release the water pressure.

FIG. 8



A - On/Off Button

OPERATION

USING THE SPRAY GUN

See Figure 9.

⚠ WARNING Hold the spray gun and lance with two hands (one hand to pull the trigger and the other to stabilize the gun) until you get used to the “recoil”. Do not lose control of the spray gun doing so could result in injury to yourself and others.

- Start the pressure washer.
- Release the safety lock by pushing it down into the slot in the trigger.
- Squeeze and hold the trigger to start the flow of water.
- Release the trigger to stop the flow of water.
- Lock the trigger by pushing it up to its original position.

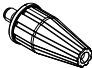

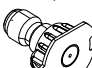
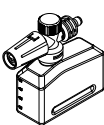
NOTE: Squeeze the trigger to make sure its locked and will not move. ALWAYS keep the spray gun locked when it's not in use.

INSTALLING NOZZLES

See Figure 10.

⚠ WARNING ALWAYS turn off the pressure washer, release the pressure in the spray gun, and lock the trigger before removing or installing a nozzle. NEVER point the lance at your face. Failure to heed this warning could result in serious injury.

- Stop the pressure washer and turn the water faucet completely off.
- Point the spray gun in a safe direction and pull the trigger to release the water pressure.
- Lock the trigger.
- Push the nozzle into the lance until it clicks into place and is secure.
- To remove the nozzle, pull the collar back and move the nozzle away from the lance.

NOZZLE	GENERAL USE
 Turbo	High Pressure. Use to clean concrete, remove tough stains, and strip paint. Use with caution.
 15°	Moderate pressure. Safe to use on brick and paved patios.
 25°	
FOAM CANNON	GENERAL USE
	Low Pressure. Safe for cars, windows and decks.

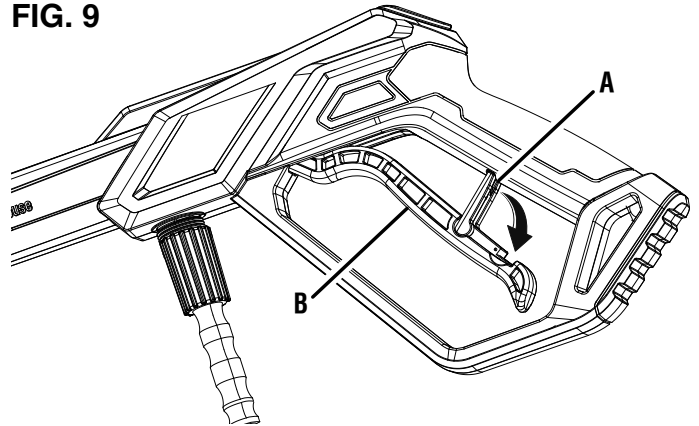
CLEANING WITH THE PRESSURE WASHER

See Figures 11 - 13.

To clean with detergent:

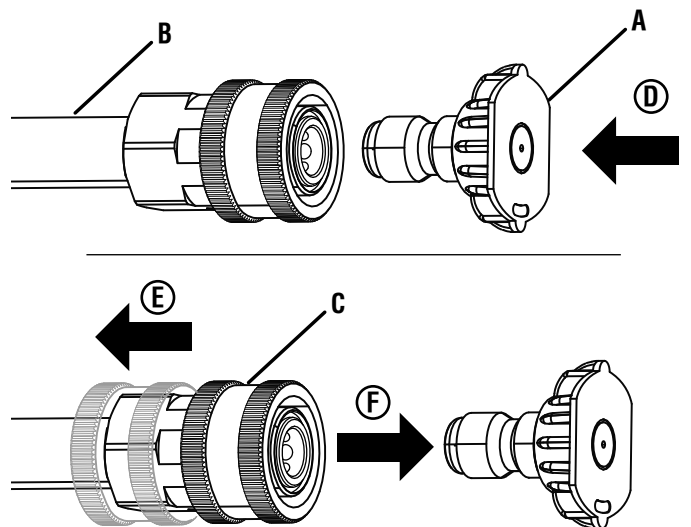
- Stop the pressure washer and turn the water faucet completely off.
- Point the spray gun in a safe direction and pull the trigger to release the water pressure.

FIG. 9



- A - Trigger
- B - Safety Lock

FIG. 10



- A - Nozzle
- B - Lance
- C - Collar
- D - Push Nozzle In
- E - Pull Collar Back
- F - Remove Nozzle

OPERATION

- Separate the soap bottle from the foam cannon by twisting it counterclockwise.

- Fill the soap bottle with a properly formulated detergent-to-water ratio, following the detergent manufacturer's instructions.

NOTE: Use detergents designed for pressure washers. The detergent should be the consistency of water. **DO NOT** use thick, gel-like detergents.

- To reinstall the soap bottle, place it on the foam cannon and turn it clockwise.

- Install the foam cannon onto the lance. The foam cannon is installed and removed in the same manner as the nozzles.

- Turn the water on and start the pressure washer.

- Squeeze the trigger and wait several seconds for detergent to appear in the water stream.

- Start cleaning at the bottom of the surface and work your way up in a side-to-side motion. Do not allow soap to dry on the surface being cleaned.

- Release the trigger to stop the pressure washer.

- Allow the motor to come to a complete stop before squeezing the trigger again.

NOTE: Squeezing the trigger rapidly will cause the auto-start feature to miss an on/off cycle and may prevent the washer from turning on. Use slow, deliberate trigger pulls to avoid this.

- When you are finished, remove excess detergent from the soap bottle and fill it with clean water. Spray the water through the foam cannon to flush the system.

To clean without detergent:

- Stop the pressure washer and turn the water faucet completely off.

- Point the spray gun in a safe direction and pull the trigger to release the water pressure.

- If installed, remove the foam cannon.

- Install an appropriate nozzle for the task you are performing.

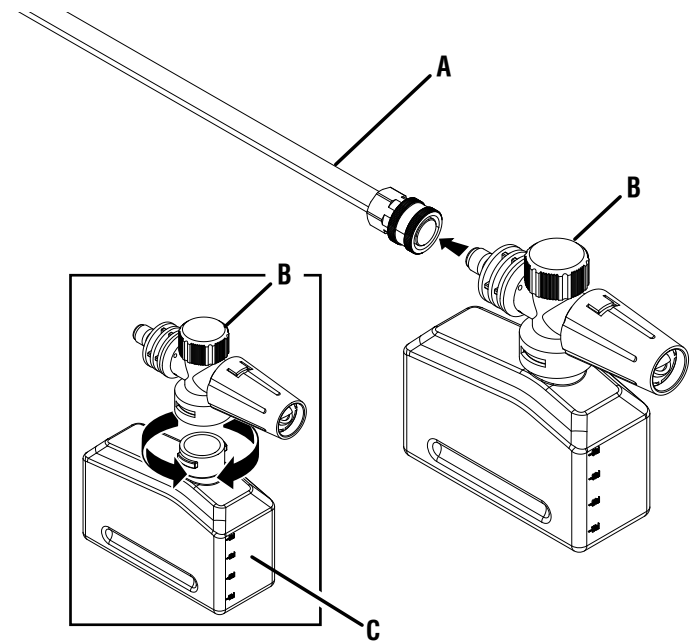
- Turn the water on and start the pressure washer.

- Release the safety lock and begin pressure washing by squeezing the trigger all the way into the handle.

NOTE: Always test in a small inconspicuous area to avoid or reduce damage.

- Start cleaning at the bottom of the surface and work your way up in a side-to-side motion.

FIG. 11



- A - Lance
- B - Foam Cannon
- C - Soap Bottle

FIG. 12

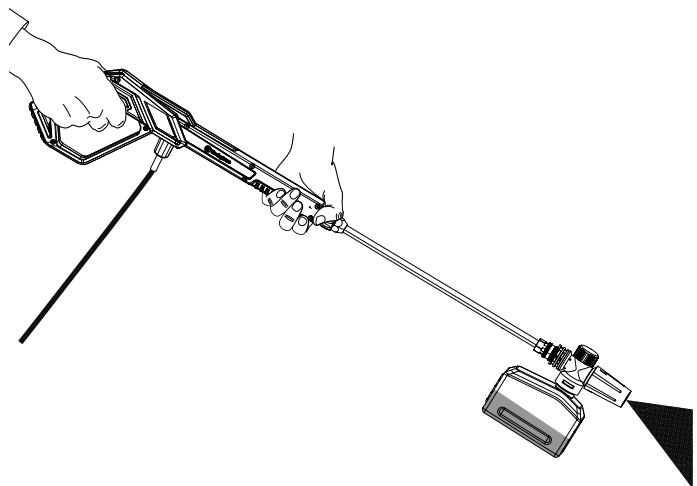


FIG. 13



OPERATION

OPERATING TIPS

- It is normal to hear the motor run intermittently when the trigger is not being squeezed. The pump is priming itself to operate when the trigger is squeezed again.
- To avoid damaging surfaces:
 - Always use an appropriate nozzle
 - Reduce water pressure by adjusting the angle of the stream or by increasing the distance from the nozzle to the surface.
- Always spray detergent on a dry surface. Do not pre-soak surface. Wetting the surface first dilutes the detergent and reduces its cleaning ability.

- For tough stains, it may be necessary to reapply the detergent and use a bristled brush to scrub the stain.
- Keep a nozzle cleaning tool nearby for unclogging the nozzles.
- The O-rings in the high pressure hose should be cleaned regularly and lubricated with non-water soluble grease such as petroleum jelly.
- Turn off the pressure washer after five minutes of inactivity.

CARE AND MAINTENANCE

⚠ WARNING ALWAYS turn off the pressure washer, release the pressure in the spray gun, and unplug the pressure washer before performing maintenance.

⚠ WARNING Replace damaged or worn items with recommended or equivalent replacement parts. Using an incorrect or incompatible part might create a hazard that could result in serious personal injury.

NOTICE Check the physical condition of the product prior to each use. Look for loose bolts, fluid leaks, and other signs of wear. Replace all damaged items. For replacement parts or assistance, contact our customer service team.

To prolong the life of this product, follow the care and maintenance instructions in this section. Contact customer service before servicing any recall or warranty parts.

CLEANING THE PRESSURE WASHER

Do not store or operate your pressure washer in dirty, dusty, or corrosive environments. Do not allow foreign materials and debris to clog the vents on the unit.

NEVER clean the pressure washer with a garden hose. Water can damage the pressure washer's electrical components. If the unit needs to be cleaned, use a soft brush and damp cloth to clean the exterior and use low pressure air (no greater than 25 psi) to clean the vents.

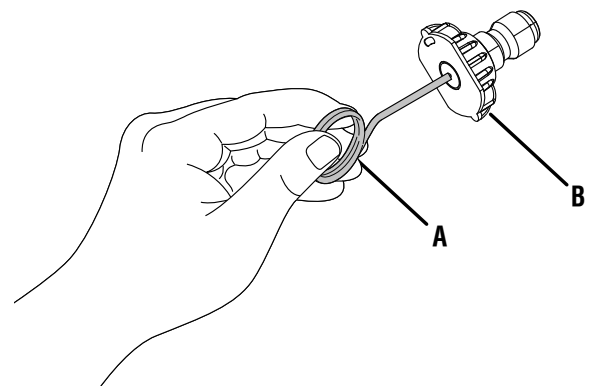
Never use gasoline as a cleaning agent.

CLEANING THE NOZZLES

See Figure 14.

- Stop the pressure washer and turn the water faucet completely off.
- Release the pressure in the spray gun and unplug the pressure washer.
- Remove the nozzle from the spray gun.
- Use a nozzle cleaning tool or fine needle to clean debris from the inside of the nozzle.
- Using a garden hose, back flush water through the nozzle.
- When the nozzle is clean, place it back on the lance or in the nozzle storage area.

FIG. 14



A - Nozzle Cleaning Tool
B - Nozzle

CARE AND MAINTENANCE

CLEANING THE WATER INLET SCREENS

See Figure 15.

The screens inside the water inlet should be cleaned periodically. Remove the screens, rinse them with clean water, and place them back in the inlet.

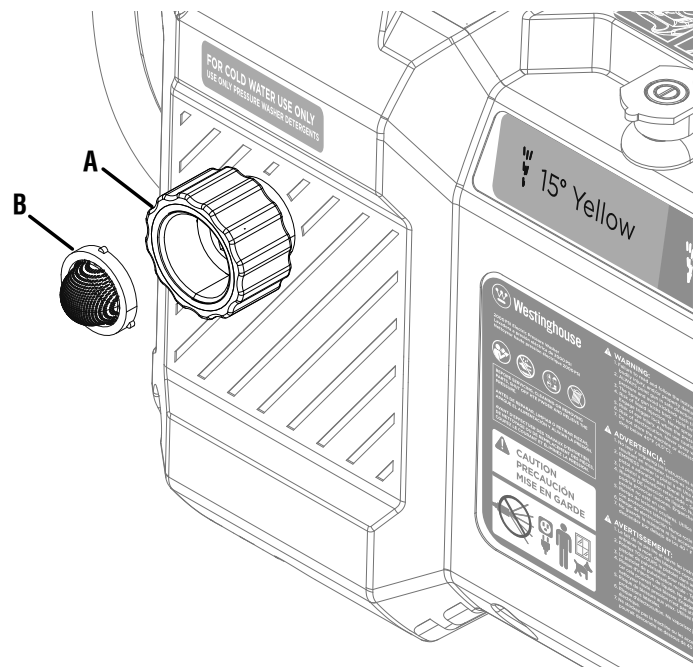
STORAGE

See Figure 16.

NOTE: Use commercially available pump protectors to extend the life of the pump. Follow the manufacturer's instructions for use.

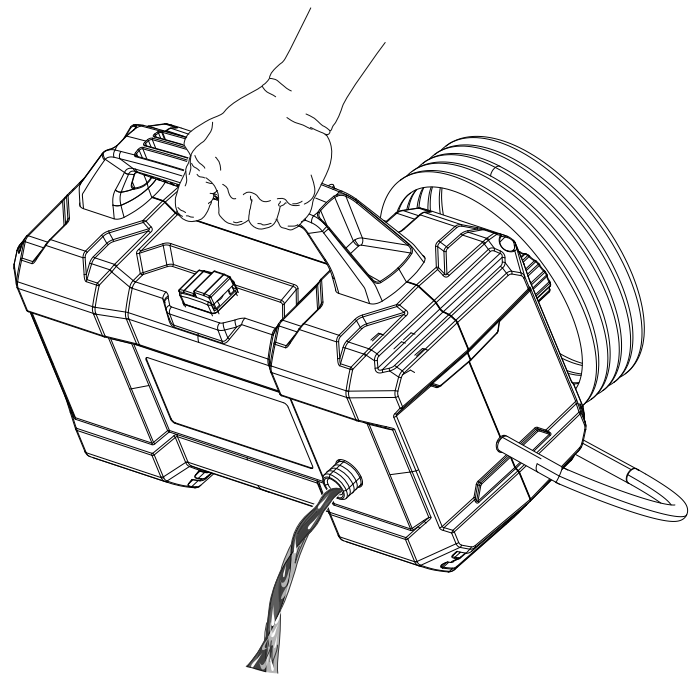
- Release the pressure in the spray gun and unplug the pressure washer. Wrap the cord around the cord retainer.
- Disconnect the garden hose and the high pressure hose.
- Tilt the pressure washer to allow excess water to drain from the threaded outlet.
- Remove all nozzles and place them in the nozzle storage area.
- Disassemble the spray gun and lance.
- Store the pressure washer and accessories in a dry, covered location away from extreme heat which could dry out the pump seals and extreme cold which could cause freeze damage.

FIG. 15



- A - Water Inlet
- B - Screen

FIG. 16



CARE AND MAINTENANCE

Maintenance parts can be purchased directly from the factory. A partial list of maintenance parts is below. For a complete list of maintenance parts or for additional information email us at service@wpowereq.com or call **1-855-944-3571**.

Inlet Filter.....	04000182-0
Foam Cannon.....	02000510-0
Turbo Nozzle	02000313-0
15° Nozzle	03000260-0
25° Nozzle	03000270-0

⚠ WARNING Do not use attachments or accessories that are not recommended for use with this product. Making unauthorized modifications and using incompatible accessories can damage the unit and void your warranty.

TROUBLESHOOTING

PROBLEM	POSSIBLE CAUSE	CORRECTION
Unit will not turn on.	Pressure washer is not connected to a power source or the power source isn't grounded	Connect the power cord to a grounded 120 Volt outlet
	Water pressure is in the hose	Pull the trigger to release the water pressure.
	GFCI is tripped	Press the RESET button on the power cord
	Defective motor or power cord.	Contact Westinghouse customer service toll-free at 1 (855) 944-3571.
The unit is running but there is no water flow.	Improper water source	Connect the pressure washer to a water main. Do not use this device with water from a lake, pool, pond, etc.
	Clogged nozzle	Clean the nozzle
	Defective spray lance	Replace the lance
Water is leaking where the hose connects to the spray gun.	Defective or missing O-ring between the high pressure hose and the spray gun.	Replace the o-ring.
The pressure washer turns on for 2 seconds, shuts off, and will not turn back on.	The auto-start feature is turning the unit off.	When the pressure washer is turned on, the motor may run for 1 - 2 seconds to prime the pump. Then it will automatically shut off until the spray gun trigger is squeezed. This is normal and does not indicate a problem.

WARRANTY

WESTINGHOUSE OUTDOOR POWER EQUIPMENT THREE YEAR LIMITED WARRANTY

WESTINGHOUSE OUTDOOR POWER EQUIPMENT'S RESPONSIBILITY

Westinghouse Outdoor Power Equipment LLC ("Westinghouse") warrants to the original purchaser that its Westinghouse line of electric pressure washers will be free from defects in material and workmanship. Under normal use and maintenance from the date of purchase, Westinghouse agrees to repair or replace at Westinghouse's sole discretion, any defective product free of charge at any authorized Westinghouse Authorized Service Dealer within the below listed applications, time periods, limitations, and exclusions. THIS LIMITED WARRANTY IS EXTENDED TO THE ORIGINAL PURCHASER ONLY AND IS NOT TRANSFERABLE TO SUBSEQUENT OWNERS EXCEPT FOR EMISSION RELATED PARTS. For a list of Westinghouse Authorized Service Dealers refer to www.wpowereq.com or call 1-855-944-3571.

OWNER'S RESPONSIBILITY

To ensure hassle-free warranty coverage, it is important that you register your Westinghouse electric pressure washer online at www.wpowereq.com, by automated phone at 1-855-944-3571, or by filling out and returning to Westinghouse the warranty registration card supplied with your pressure washer. Registering your product confirms your warranty coverage and provides a direct link between you and Westinghouse should it become necessary to contact you.

Your receipt for purchase including date, model and serial number must be maintained and presented to Westinghouse customer service in order to obtain warranty service. Proof of purchase rests solely with you, the original purchaser. You must demonstrate reasonable care and use and follow preventive maintenance and storage guidelines as prescribed in the operator's manual for your Westinghouse unit. Should a product difficulty occur, you must, at your expense, deliver or ship your Westinghouse unit to an Authorized Service Dealer for warranty repairs (which must occur within the applicable warranty period), and arrange for pick-up or return of your unit after the repairs have been made. If proof of purchase is not available to establish purchase date nor is the product registered as described herein, the date of manufacturing as recorded

To find the Westinghouse Authorized Service Dealer nearest to you, call Westinghouse customer service and support at 1-855-944-3571 or visit the "Locate a Service Dealer" page at www.wpowereq.com. Should you require assistance or have questions concerning Westinghouse's Warranty Statement, you can contact us through online at www.wpowereq.com or call 1-855-944-3571.

PRODUCT WARRANTY APPLICATIONS AND PRODUCT WARRANTY PERIODS

CONSUMER APPLICATION

For the purposes of this limited warranty, "Consumer Application" means usage by the original purchaser for the purpose of personal residential household or recreational use. For those using this product for a consumer application, the following warranty terms apply:

Parts and labor will be fully covered for a period of one year from the date of purchase.

Parts only will be fully covered for a period of two years from the date of purchase.

At Westinghouse's sole discretion, certain replacements be fully covered for a period of three years from the date of purchase.

COMMERCIAL APPLICATION

For the purposes of this limited warranty, "Commercial Application" means usage by the original purchaser for the purpose of income producing, business relation use. Once a Westinghouse electric pressure washer has been used for income producing and business related purposes, it shall thereafter be considered a product used for a "Commercial Application" and the following warranty terms apply:

Parts and labor will be fully covered for a period of ninety days from the date of purchase.

EXCLUSIONS

The following items are excluded from warranty coverage:

- Utilization of non-Westinghouse replacement parts except where authorized by Westinghouse in writing
- Costs of routine/normal maintenance
- Repairs or diagnostics performed by a non-authorized service dealer except where authorized by Westinghouse in writing
- Product failures due to normal wear and tear, accident, misuse, abuse, negligence, or improper use
- Product failures due to any external cause, including but not limited to: collision, theft, vandalism, riot, war, fire, freezing, lightning, earthquake, windstorm, hail, water damage, flood damage, tornado damage, rodent/pest related damage, or hurricane damage
- Products that are modified or altered in a manner not authorized in writing by Westinghouse
- Any incidental, consequential, or indirect damages caused by defects in materials or workmanship
- Any incidental, consequential, or indirect damages caused by delay in repair or replacement of defective part(s)
- Product failure due to misapplication
- Telephone, cellular phone, fax, internet, or any other communication-related expenses \
- Expenses related to "customer instruction" or troubleshooting where no manufacturing defect is found
- Overnight freight or special shipping costs for replacement parts
- Overtime, holiday, or emergency labor costs

DISCLAIMER OF IMPLIED WARRANTIES

This limited warranty is in lieu of all other expressed or implied warranties, including any warranty of FITNESS FOR A PARTICULAR PURPOSE OR USE and any IMPLIED WARRANTY OF MERCHANTABILITY otherwise applicable to Westinghouse's line of electric pressure washers and its affiliated companies shall not be liable for any special, incidental or consequential damage, including lost profits. There are no warranties extended other than as provided herein. This limited warranty may be modified only by Westinghouse Outdoor Power Equipment LLC. Any implied warranties allowed by law shall be limited in duration to the terms of the express warranty provided herein. Some states do not allow the exclusion or limitation of incidental or consequential damages, so the above limitation may not apply to you. This warranty gives you specific legal rights. You also have other rights from state to state. WESTINGHOUSE OUTDOOR POWER EQUIPMENT LLC'S ONLY LIABILITY SHALL BE THE REPAIR OR REPLACEMENT AS STATED ABOVE. IN NO EVENT SHALL WESTINGHOUSE BE LIABLE FOR ANY INCIDENTAL OR CONSEQUENTIAL DAMAGES, EVEN IF SUCH DAMAGES ARE A DIRECT RESULT OF MWE INVESTMENTS, LLC'S NEGLIGENCE. Some states do not allow the exclusion or limitation of incidental or consequential damages, so the above limitation may not apply to you.

This limited warranty is given by Westinghouse Outdoor Power Equipment LLC (777 Manor Park Drive, Columbus, OH 43228).

ESPAÑOL

ePX3100V

LAVADORA A PRESIÓN ELÉCTRICA

2100 PSI | 1.76 GPM

MANUAL DE USUARIO

NO DEVUELVA ESTE PRODUCTO A LA TIENDA

Si tiene preguntas o necesita ayuda, llame al servicio de atención al cliente al 855-944-3571.

TABLA DE CONTENIDO

Introducción.....	2-3
Seguridad.....	4-7
Eléctrico.....	8
Componentes.....	9
Montaje.....	10-13
Operación.....	13-15
Cuidado y mantenimiento.....	16-17
Solución de problemas.....	17
Garantía.....	18
Línea de atención al cliente/dirección de la empresa.....	Página trasera

INTRODUCCIÓN

⚠️ ADVERTENCIA

Este producto y otras sustancias que pueden pasar al aire debido a su uso contienen sustancias químicas, incluido el plomo, que el estado de California reconoce como causantes de cáncer, defectos de nacimiento u otros daños reproductivos. **Lavarse las manos después de la manipulación.** Para obtener más información, visite www.P65warnings.ca.gov.

EXENCIONES DE RESPONSABILIDAD

Toda la información, ilustraciones y especificaciones de este manual estaban vigentes en el momento de su publicación. Las ilustraciones que se utilizan en este manual se ofrecen únicamente como vistas de referencia representativas. Nos reservamos el derecho de realizar cualquier cambio en las especificaciones o el diseño sin previo aviso.

RESERVADOS TODOS LOS DERECHOS

Reservados todos los derechos. No se permite la reproducción en ninguna forma sin el permiso por escrito de Westinghouse Outdoor Power Equipment.



⚠️ PELIGRO

Lea este manual antes de usar o realizar el mantenimiento de este producto. El incumplimiento de las instrucciones y precauciones de seguridad de este manual puede provocar lesiones graves o la muerte.

ACTUALIZACIONES

El manual de usuario más reciente para sus productos Westinghouse se puede encontrar en nuestra pestaña de soporte wpowereq.com/pages/manuals

O escanee el siguiente código QR con la cámara de su teléfono inteligente para ser dirigido al enlace.



INTRODUCTION

REGISTRACIÓN DEL PRODUCTO

Para una cobertura de garantía sin problemas, es importante registrar su producto Westinghouse.

Puedes registrarte por:

- Completar y enviar por correo la tarjeta de registro del producto incluida en la caja.
- Registro del producto suen línea en: wpowereq.com/pages/warranty-registration
- Escanee el código QR anterior con la cámara de su teléfono inteligente para ser dirigido al enlace de registro móvil.



Para su archivo

Fecha de compra: _____

Número de modelo: _____

Número de serie: _____

Lugar de compra: _____

- Envío de la siguiente información del producto a:

Westinghouse Outdoor Power

Warranty registration
777 Manor Park Drive
Columbus, OH 43228

IMPORTANTE: Guarde su recibo de compra para una cobertura de garantía sin problemas.

ESPECIFICACIONES

Temperatura del agua..... Solo agua fría
Presión máxima..... 2100 PSI
Presión máxima nominal 1800 PSI
Caudal máximo de agua..... 1,76 US GPM (5,3 LPM)

Caudal de agua nominal..... 1,2 US GPM (4,54 LPM)
Fase..... Único
Entrada..... 120 V, solo CA, 60 Hz, 13 amperios

⚠ ADVERTENCIA

NUNCA rocíe directamente sobre una persona, un animal, un dispositivo eléctrico o la unidad misma. El incumplimiento de esta advertencia podría provocar lesiones graves, descargas eléctricas o la muerte.

AVISO

NUNCA permita que la bomba de la lavadora a presión funcione durante más de un minuto después de haber cerrado el suministro de agua. Esto puede hacer que el motor y la bomba se sobrecalienten y fallen. **SIEMPRE** desenrolle completamente la manguera de jardín y retire cualquier objeto que pueda estar restringiendo o impidiendo el flujo de agua a la máquina.

AVISO

¡Gracias por elegir Westinghouse!
POR FAVOR LEA ANTES DE DEVOLVER ESTE PRODUCTO POR CUALQUIER MOTIVO.

Si tiene alguna pregunta o experimenta un problema con su compra de Westinghouse, llámenos al 1-855-944-3571 para hablar con un agente.

GUARDE ESTE MANUAL PARA FUTURAS CONSULTAS.

¿TIENE PREGUNTAS?

Envíenos un correo electrónico

a service@wpowereq.com o llame al 1-855-944-3571

SEGURIDAD

DEFINICIONES DE SEGURIDAD

Las palabras PELIGRO, ADVERTENCIA, PRECAUCIÓN y AVISO se utilizan en este manual para resaltar información importante. Asegúrese de que los significados de esta información de seguridad sean conocidos por todos los que operan, realizan el mantenimiento o están cerca de lavadora a presión.

Este símbolo de alerta de seguridad aparece con la mayoría de las declaraciones de seguridad. Significa atención, ponte alerta, ¡tu seguridad está en juego! Lea y respete el mensaje que sigue al símbolo de alerta de seguridad.



PELIGRO Indica una situación peligrosa que, si no se evita, provocará la muerte o lesiones graves.

ADVERTENCIA Indica una situación peligrosa que, si no se evita, podría provocar la muerte o lesiones graves.

PRECAUCIÓN Indica una situación peligrosa que, si no se evita, podría provocar lesiones leves o moderadas.

AVISO Indica una situación que puede causar daños al lavadora a presión, a la propiedad personal y/o al medio ambiente, o hacer que el equipo funcione incorrectamente.

NOTA: Indica un procedimiento, práctica o condición que se debe seguir para que la lavadora a presión funcione de la manera prevista.

SÍMBOLOS DE SEGURIDAD

Siga toda la información de seguridad contenida en este manual del usuario, así como la información en la etiqueta del producto.

Símbolo	Descripción
	Símbolo de alerta de seguridad
	Riesgo de inyección.
	Descarga eléctrica
	Riesgo de explosión. Nunca rocíe líquidos inflamables. Los líquidos inflamables y sus vapores pueden ser explosivos.
	No opere en condiciones húmedas
	Lea las instrucciones del fabricante
	Contragolpe.
	Construcción con doble aislamiento
	Use protección para los ojos y los oídos

INSTRUCCIONES DE SEGURIDAD IMPORTANTES

⚠️ ADVERTENCIA Para reducir el riesgo de lesiones, el usuario debe leer y comprender las instrucciones antes de usar este producto.

⚠️ ADVERTENCIA **Riesgo de inyección de líquido.** Nunca rocíe a personas o animales, ya que podría causar lesiones. Active el bloqueo del gatillo cuando la lavadora a presión no esté en uso.

⚠️ ADVERTENCIA Al usar este producto, siempre se deben seguir precauciones básicas, incluidas las siguientes:

- **SIEMPRE** tómese el tiempo para leer todas las instrucciones antes de usar el producto.
- Se recomienda leer atentamente y comprender todos los aspectos operativos de la lavadora a presión descritos en este manual para evitar lesiones personales y/o daños a la propiedad y maximizar su experiencia de lavado a presión.

- Comprender y saber cómo detener el producto de manera segura y purgar las presiones rápidamente. Familiarícese con todos los controles.
- Siga las instrucciones de mantenimiento como se especifica en el manual.
- **NO** use su lavadora a presión cuando esté bajo la influencia del alcohol o las drogas. Use esta herramienta eléctrica con cuidado y solo cuando esté alerta.
- Mantenga el área de operación libre de personas, animales y objetos peligrosos.
- **NO** se estire demasiado ni se pare sobre un soporte inestable. Mantenga un buen equilibrio y equilibrio en todo momento.
- **La lavadora a presión está equipada con un interruptor de circuito de falla a tierra (GFCI) que reduce en gran medida la posibilidad de descarga eléctrica mientras la unidad está en uso. Si es necesario reemplazar el enchufe o el cable, use solo piezas de repuesto idénticas.**

GUARDE ESTAS INSTRUCCIONES PARA FUTURAS CONSULTAS.


PROTECCIÓN CON INTERRUPTOR DE CIRCUITO DE FALLA A TIERRA

Esta lavadora a presión tiene una falla a tierra interruptor de circuito (GFCI) integrado en el enchufe del cable de alimentación eléctrica. Un GFCI proporciona protección adicional contra el riesgo de descarga eléctrica. Si es necesario reemplazar el enchufe o el cable, use piezas de repuesto idénticas que incluyan protección GFCI.

MANTENIMIENTO DE UN APARATO CON DOBLE AISLAMIENTO

En un producto con doble aislamiento, se proporcionan dos sistemas de aislamiento en lugar de conexión a tierra. No se proporcionan medios de conexión a tierra para un producto con doble aislamiento, ni se deben agregar medios de conexión a tierra al producto.

El mantenimiento de un producto con doble aislamiento requiere extremo cuidado y conocimiento del sistema, y solo debe ser realizado por personal de servicio calificado.

Un producto con doble aislamiento está marcado con las palabras “**DOBLE AISLAMIENTO**” o “**DOBLE AISLAMIENTO**”. Este símbolo  también puede estar marcado en el producto.

SEGURIDAD

- Si no lee y sigue las instrucciones de los manuales del usuario, podría provocar la muerte, lesiones corporales y/o daños a la propiedad.
- Cuando utilice la lavadora a presión cerca de niños, asegúrese de que estén supervisados de cerca por un adulto para evitar lesiones. **NUNCA** permita que un niño use la lavadora a presión.
- Esta lavadora a presión cumple con CSA y otras normas de seguridad y del consumidor. **NO** modifique ni reconstruya ninguna parte de su lavadora a presión.
- Cuide su equilibrio y sus pasos mientras usa su lavadora a presión. Las superficies se vuelven resbaladizas cuando están mojadas y son aún más resbaladizas cuando se usa un detergente o un limpiador.
- **NUNCA** opere la lavadora a presión con los pies descalzos, sandalias o zapatos abiertos.
- **NO** toque el rociador de alta presión con los dedos, las manos o los pies y tenga cuidado de evitar el contacto con los ojos, ya que el rociador potente puede causar ceguera o agujeros en la piel.
- **SIEMPRE** use protección para los ojos para evitar lesiones en los ojos cuando opere la lavadora a presión.
- Para evitar accidentes que causen lesiones, utilice **SIEMPRE** el bloqueo de seguridad del gatillo cuando la lavadora a presión no esté en uso, incluso si el rociado se detiene por un momento.
- Apunte la pistola rociadora en una dirección segura cuando comience a usar su lavadora a presión.
- **NUNCA** rocíe directamente sobre una persona, un animal, un dispositivo eléctrico o la unidad misma. La lavadora a presión puede romper el vidrio si se golpea con contacto directo.
- Sujete la pistola rociadora y la lanza con las dos manos (una mano para apretar el gatillo y la otra para estabilizar la pistola) hasta que se acostumbre al "retroceso".
- Cuando detiene la lavadora a presión, la presión del agua puede permanecer en el sistema. Para liberar la presión, apunte la pistola rociadora en una dirección segura y apriete el gatillo.
- **NUNCA** rocíe líquidos inflamables.
- **NUNCA** use la lavadora a presión en áreas que contengan polvo, líquidos o vapores combustibles.
- Examine la manguera regularmente. Reemplace si está dañado. Debido a la alta presión involucrada, no se puede reparar si se corta o daña.
- Solo use detergente específicamente formulado para lavadoras a presión y siga las instrucciones en la etiqueta del detergente.
- El detergente puede ser dañino para la piel, los ojos y los pulmones. Tenga cuidado al manipular cualquier producto químico. El jabón para platos y ropa es demasiado espeso y obstruirá la boquilla de la botella de detergente.

AVISO

- Guarde la lavadora a presión en el interior en un ambiente calentado para evitar que el agua en la unidad se congele y se expanda. Cuando el agua se congela y se expande, la bomba de alta presión se romperá y dejará inoperable la lavadora a presión. Se recomienda que use un protector de bomba (no incluido) para proteger las bombas contra congelamiento y agrietamiento.
- **NUNCA** use agua caliente con su lavadora a presión. Se sobrecalentará y dañará los sellos y componentes de la bomba de alta presión que no se pueden reparar.
 - **NUNCA** deje la lavadora a presión "ENCENDIDA" mientras esté desatendida.
 - **SIEMPRE** abra el suministro de agua antes de encender la lavadora a presión. Hacer funcionar la bomba sin agua dañará los componentes internos y hará que la lavadora a presión deje de funcionar.
 - **NUNCA** use un suministro de agua para su lavadora a presión que exceda el máximo de 150 PSI.
 - **NUNCA** desconecte la manguera de alta presión de la lavadora a presión mientras el sistema está presurizado.
 - **NUNCA** enganche permanentemente los mecanismos de gatillo en la pistola rociadora.
 - **NUNCA** opere la lavadora a presión a menos que todos los componentes estén conectados correctamente y de manera segura.
 - **NUNCA** permita que la bomba de la lavadora a presión funcione durante más de un minuto después de haber cerrado el suministro de agua. Esto puede hacer que el motor y la bomba se sobrecalienten y fallen.
 - **NUNCA** utilice un cable de alimentación de extensión.
 - **NUNCA** use un cable de alimentación de extensión ya que causa una caída de voltaje y puede quemar el motor. También aumenta el riesgo de descarga eléctrica para el operador.
 - **NUNCA** use lanzas u otras piezas que no sean compatibles con esta unidad Westinghouse específica.
 - **NUNCA** rocíe ningún tomacorriente con su lavadora a presión.
 - Inspeccione el cable de alimentación antes de usarlo. **NO** lo use si está dañado.
 - Mantenga todas las conexiones secas y alejadas del suelo. **NO** toque el enchufe con las manos mojadas.

SEGURIDAD

ETIQUETAS Y CALCOMANÍAS DE SEGURIDAD

La siguiente información se encuentra en las etiquetas y calcomanías de su lavadora a presión.

① Información sobre agua y detergente

- Solo para agua fría.
- Use solo detergentes para lavadoras a presión

② Especificaciones

(ver página 3)

③ Proposición 65 de California

Cáncer y daño reproductivo –
www.P65Warnings.ca.gov/product

④ EZ Start Instructions

Consulte la etiqueta de “Instrucciones de arranque EZ” y las instrucciones en la sección de *Operaciones* cuando arranque y detenga la lavadora a presión.

⑤ Etiqueta de boquilla

- 15° Amarillo
- 25° Verde

⑥ Especificaciones

(ver página 4)

⑦ Etiqueta de precaución

Antes de reparar, limpiar o retirar piezas, desconecte la alimentación y libere la presión.

⑧ ADVERTENCIA

- Si no lee y sigue las instrucciones de los manuales del usuario, podría provocar la muerte, lesiones corporales y/o daños a la propiedad.
- SIEMPRE apunte la pistola en una dirección segura y apriete el gatillo de la pistola rociadora para liberar la presión y evitar el contragolpe cada vez.
- La pistola rociadora retrocede – Sosténgala firmemente con las dos manos.
- Riesgo de inyección de líquido. Nunca rocíe a personas o animales, ya que podría causar lesiones. Active el bloqueo del gatillo cuando la lavadora a presión no esté en uso.
- Riesgo de lesiones oculares. Siempre tenga cuidado. Use gafas de seguridad con protectores laterales.
- Riesgo de electrocución. Nunca rocíe agua sobre ninguna fuente de energía eléctrica.
- No guarde la máquina ni los accesorios en un lugar donde la temperatura pueda descender por debajo de los 40 °F (4,5 °C).

**① FOR COLD WATER USE ONLY
USE ONLY PRESSURE WASHER DETERGENTS**

⑤ 15° Yellow 25° Green

②

Rated Max Pressure <i>Presión Pico / Pression Dr Crête</i>	2100 PSI (2100 LB/PO2)
Rated Max Pressure <i>Presión Máxima Nominal / Pression Nominale Maximale</i>	1800 PSI (1800 LB/PO2)
Maximum Water Flow Rate <i>Tasa Máxima De Flujo De Agua / Débit D'eau Maximum</i>	1.76 US GPM (6.6 LPM)
Rated Water Flow Rate <i>Tasa de flujo de agua nominal / Débit d'eau nominal</i>	1.2 US GPM (4.54 LPM)
Rating <i>Clasificación / Évaluation</i>	120V 1 ph/monophasé, AC 60Hz 13A
Model <i>La Maqueta / Modèle</i>	ePX3100v

③

WARNING: Cancer and reproductive harm - www.P65Warnings.ca.gov/product
 AVERTISSEMENT: Cancer et problèmes de reproduction - www.P65Warnings.ca.gov/product
 ADVERTENCIA: Cáncer y daños al sistema reproductivo - www.P65Warnings.ca.gov/product

Westinghouse Outdoor Power Equipment
Columbus Ohio 43228 USA
Made in Vietnam

⑥

⑦

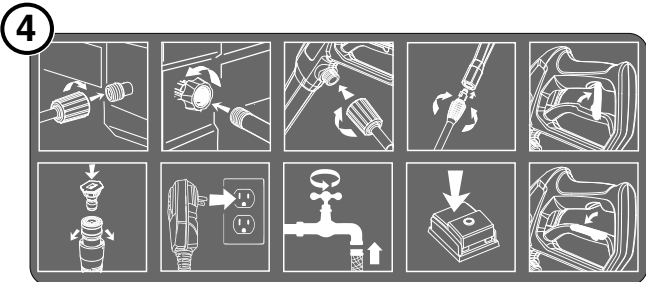
⑧

CAUTION PRECAUCIÓN MISE EN GARDE

WARNING:
 1. Failure to read and follow the instructions in user manual(s) could result in death, bodily injury, and/or property damage.
 2. ALWAYS point gun in safe direction and squeeze spray gun trigger, to release pressure and avoid kickback each time.
 3. The Spray gun kicks back - Hold firmly with two hands.
 4. Risk of liquid injection. Never spray humans or animals, as injury could result. Engage trigger lock when the pressure washer is not in use.
 5. Risk of eye injury. Always use caution. Wear safety goggles with side shields.
 6. Risk of electrocution. Never spray water on any electric power sources.
 7. Do not store the machine or accessories in a place where the temperature could drop below 40°F (4.5°C).

ADVERTENCIA:
 1. No leer y seguir las instrucciones en both manual(s) could result in death, bodily injury, and/or property damage.
 2. EMPRESA punter la pistola a una dirección segura y apropiada el disparo DE la pistola a adoration para liberar la presión y evitar el retroceteo cada a vez.
 3. La pistola a adoration retro-cede - Sostete firmemente con las dos manos.
 4. Riesgo DE inyección de líquido. Nunca rocíe a seres humanos o animales, ya que podría provocar lesiones. Enganche el seguro del gatillo cuando la lavadora de presión no esté en uso.
 5. Riesgo de lesiones oculares. Utilice siempre gafas de seguridad con protección con protectores laterales.
 6. Riesgo de electrocución. Nunca rocíe agua sobre ninguna fuente de energía eléctrica.
 7. No guarde la máquina ni los accesorios en un lugar donde la temperatura pueda descender por debajo de los 40 °F (4,5 °C).

AVERTISSEMENT:
 1. Le fait de ne pas lire et suivre les instructions du (des) manuel(s) de l'utilisateur peut entraîner la mort, des blessures corporelles et / ou des dommages matériels.
 2. Pointez TOUJOURS le pistolet dans une direction sûre et appuyez sur la gâchette du pistolet de pulvérisation pour relâcher la pression et éviter les rebonds à chaque fois.
 3. Le pistolet de pulvérisation recule - Tenez fermement avec deux mains.
 4. Risque d'injection de liquide. Ne pulvérisiez jamais sur des humains ou des animaux, car cela pourrait vous blesser. Engagez le verrouillage de la gâchette lorsque le nettoyeur haute pression n'est pas utilisé.
 5. Risque de blessure aux yeux. Utilisez toujours des lunettes de sécurité avec protections latérales.
 6. Risque d'électrocution. Ne vaporisez jamais d'eau sur les sources d'alimentation électrique.
 7. Ne stockez pas la machine ou les accessoires dans un endroit où la température pourrait descendre en dessous de 40 °F (4,5 °C).



AISLAMIENTO DOBLE

El doble aislamiento elimina la necesidad de un cable de alimentación de tres hilos con conexión a tierra. Los productos con doble aislamiento no necesitan estar conectados a tierra porque las partes metálicas expuestas están cubiertas con un aislamiento protector que las aísla de los componentes metálicos internos del motor.

⚠ ADVERTENCIA Un sistema de doble aislamiento está diseñado para proteger contra golpes causados por una ruptura en el aislamiento interno del producto. Para evitar descargas eléctricas, siga todos los procedimientos de seguridad ordinarios.

NOTA: Los productos con aislamiento doble solo deben ser reparados por técnicos de servicio calificados. Para obtener más información, comuníquese con el servicio de atención al cliente de Westinghouse al número gratuito 1 (855) 944-3571.

MOTOR AC

El motor eléctrico de este producto fue diseñado para funcionar **con una fuente de alimentación de CA nominal de 120 V/60 Hz (circuito doméstico promedio de EE. UU.)**. No está diseñado para funcionar con corriente continua (CC). Una caída de voltaje significativa resultará en una pérdida de energía y podría dañar el motor.

PROTECCIÓN CON INTERRUPTOR DE CIRCUITO DE FALLA A TIERRA

Vea la figura 1.

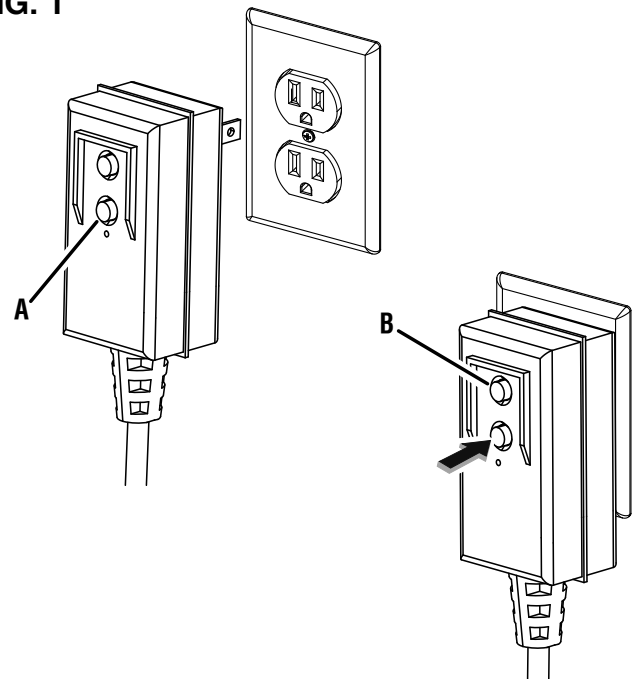
Esta lavadora a presión tiene un interruptor de circuito de falla a tierra (GFCI) integrado en el enchufe del cordón de alimentación. Un GFCI protege contra corrientes de falla a tierra, como una corriente que fluiría a través de una persona parada sobre una superficie mojada mientras sostiene un producto con aislamiento defectuoso. Los enchufes GFCI no protegen contra descargas, cortocircuitos y sobrecargas. Si es necesario reemplazar el enchufe o el cordón, use piezas de repuesto idénticas que incluyan protección GFCI.

Para probar el GFCI:

- Enchufe el cordón de alimentación en un receptáculo.
- Presione el botón PRUEBA y escuche un “clic” que indica que la conexión a la fuente de alimentación se interrumpió.
- Presione el botón REINICIO para restaurar la energía al dispositivo. La luz LED se encenderá cuando se restablezca la energía.

Pruebe el GFCI mensualmente para garantizar un funcionamiento adecuado.

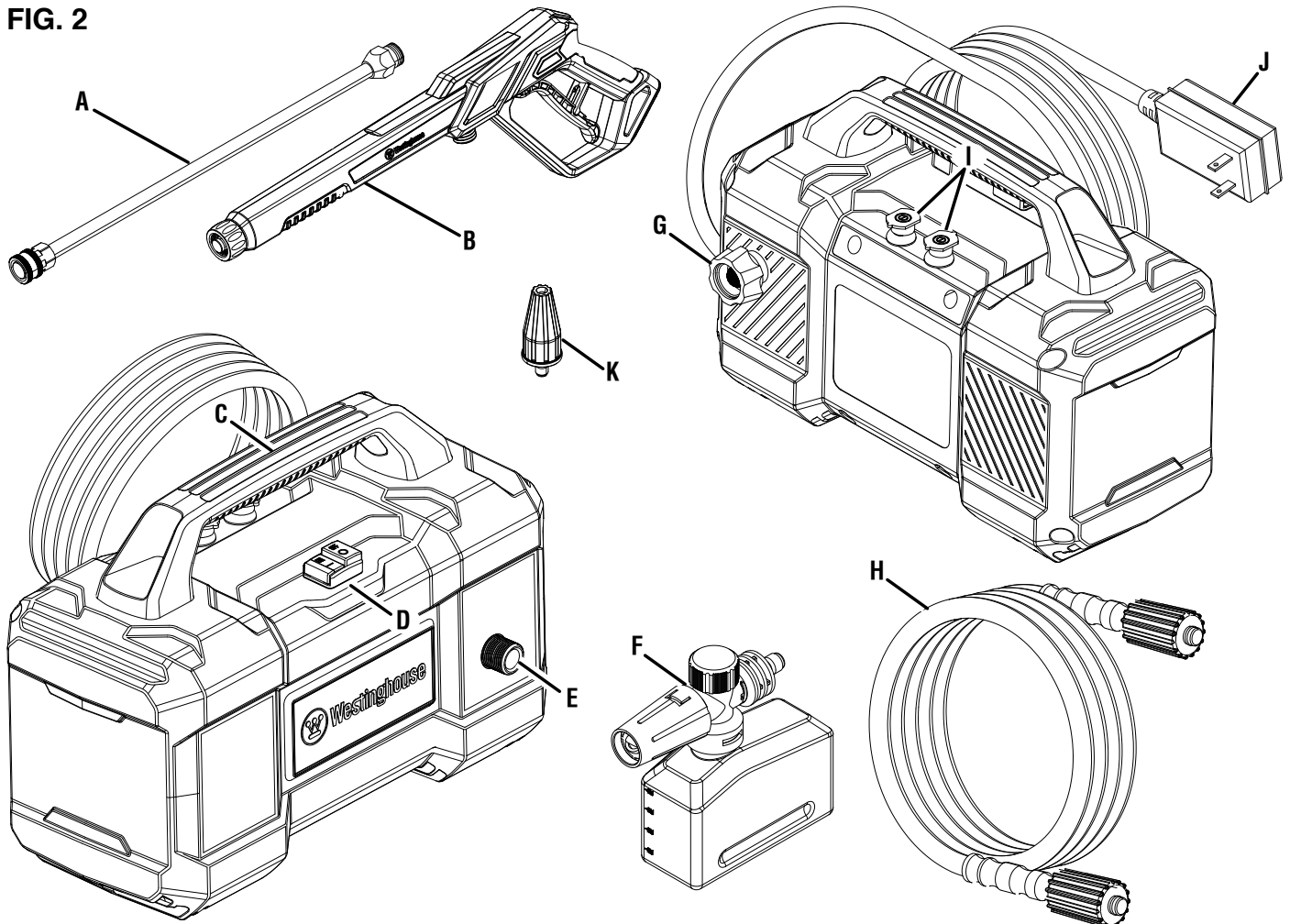
FIG. 1



A - Botón de PRUEBA
B - Botón de REINICIO

COMPONENTES

FIG. 2



- A - Lanza
- B - Pistola pulverizadora
- C - Mango
- D - Boton de encendido / apagado

- E - Entrada de agua
- F - Cañón de espuma
- G - Entrada de agua

- H - Manguera de alta presión
- I - Boquillas
- J - Cable de alimentación
- K - Boquilla turbo

ENTENDIENDO SU LAVADORA A PRESIÓN

Vea la figura 2.

Para reducir el riesgo de lesiones y fallas del producto, lea y comprenda la información de este manual del usuario, así como la información de la etiqueta del producto.

CAÑÓN DE ESPUMA

Usa el cañón de espuma para generar una espuma espesa y adherente para deshacer la grasa, la mugre y las manchas.

MANGO

Utilice el mango cuando transporte la unidad.

MANGUERA DE ALTA PRESIÓN

La manguera de alta presión incluida con esta unidad es liviana, flexible y duradera. Cuando no esté en uso, la manguera se puede guardar en el retenedor de manguera.

BOQUILLAS

Con esta unidad se incluyen boquillas de diferentes tamaños que se pueden usar para diferentes aplicaciones de limpieza.

BOTÓN DE ENCENDIDO/APAGADO

Presione una vez para iniciar la lavadora a presión. Empuje nuevamente para detener la lavadora a presión.

PISTOLA ROCIADORA

Utilice la pistola rociadora y la lanza para controlar y dirigir el chorro de agua.

BOQUILLA TURBO

La boquilla turbo ofrece un potente patrón de rociado giratorio de 0° que limpia grandes áreas más rápido que las boquillas estándar.

MONTAJE

⚠ADVERTENCIA No conecte la lavadora a presión a una fuente de alimentación hasta que esté completamente ensamblada. Para evitar una puesta en marcha accidental y posibles lesiones graves, solo conecte una fuente de alimentación cuando la lavadora a presión esté lista para usar.

EXTRACCIÓN DEL CONTENIDO DE LA CAJA

⚠ADVERTENCIA Este producto requiere montaje. No intente operar este producto si alguno de los elementos de la **LISTA INCLUIDA** ya está ensamblado cuando retira el contenido de la caja. Estos artículos no son ensamblados por el fabricante y deben requerir el ensamblaje por parte del cliente. El uso de un producto ensamblado incorrectamente puede ser peligroso y podría provocar lesiones personales graves.

- Corte con cuidado los lados del embalaje y retire el contenido de la caja.
- Inspeccione el contenido de la caricatura. Verifique que todos los artículos en la **LISTA INCLUIDA** estén presentes y sin daños.
- Recicle o deseché los materiales de embalaje de forma adecuada.

LISTA INCLUIDA

Vea la figura 3.

Lavadora a presión, pistola rociadora, lanza, boquillas (15° y 25°), manguera de alta presión, cañón de espuma, boquilla turbo, guía de inicio rápido, manual del usuario

Si falta alguna pieza, comuníquese con nuestro equipo de servicio a service@wpowereq.com o llame al 1-855-944-3571.

CONECTAR LA LANZA AL PISTOLA ROCIADORA

Vea la figura 4.

- Empuje la lanza en la pistola rociadora y gírela en el sentido de las agujas del reloj para apretar. **No apriete demasiado.**
- Tire suavemente de la lanza para asegurarse de que esté asegurada.

CONEXIÓN DE LA MANGUERA DE ALTA PRESIÓN A LA PISTOLA PULVERIZADORA

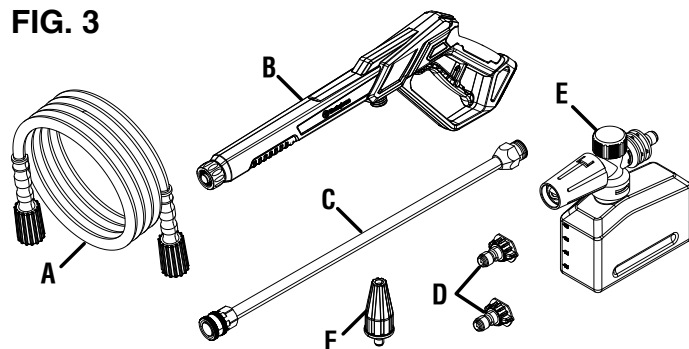
Vea la figura 5.

- Tire hacia atrás del collarín de la manguera de alta presión y empuje firmemente el racor de la manguera en la pistola rociadora.
- Enrosque el collar en la pistola rociadora y apriételo firmemente.

NOTA: Tenga cuidado de no dañar las roscas de la pistola rociadora, ya que podría causar fugas durante el uso.

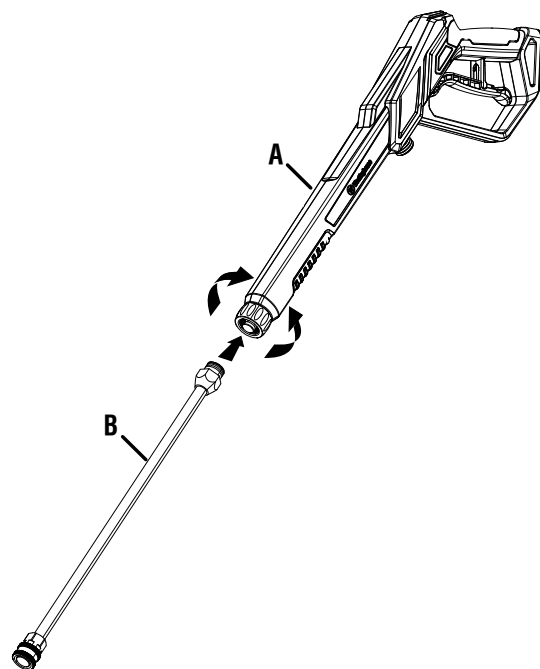
- Tire suavemente de la manguera para asegurarse de que esté asegurada.

FIG. 3



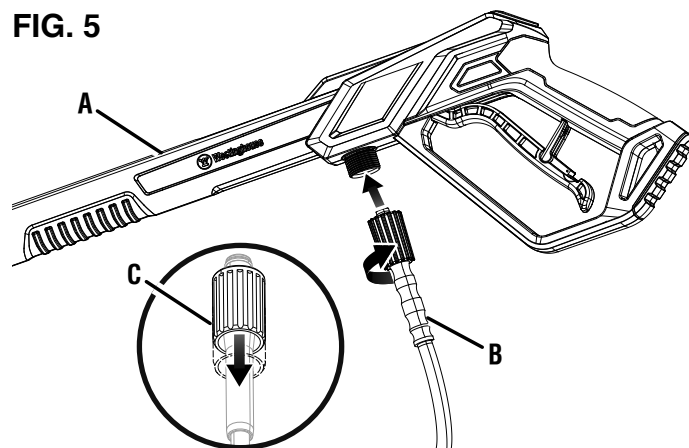
- A - Manguera de alta presión
- B - Pistola pulverizadora
- C - Lanza
- D - Boquillas
- E - Cañón de espuma
- F - Boquilla turbo

FIG. 4



- A - Pistola pulverizadora
- B - Lanza

FIG. 5



- A - Pistola pulverizadora
- B - Manguera de alta presión
- C - Collar

MONTAJE

CONEXIÓN DE LA MANGUERA DE ALTA PRESIÓN A LA LAVADORA A PRESIÓN

Vea la figura 6.

- Desenrolle y enderece la manguera de alta presión para eliminar cualquier doblez o torcedura.
- Tire hacia atrás del collarín de la manguera de alta presión y empuje firmemente el accesorio de la manguera en la salida roscada de la lavadora a presión.
- Atornille el collar en la salida y apriete firmemente.

NOTA: Tenga cuidado de no dañar las roscas de la salida, ya que podría causar fugas en la unidad durante el uso.

- Tire suavemente de la manguera para asegurarse de que esté asegurada.

CONEXIÓN DE UNA MANGUERA DE JARDÍN A LA LAVADORA A PRESIÓN

Vea la figura 7.

AVISO

Siga las normas y ordenanzas locales cuando conecte su lavadora a presión a un suministro de agua. Algunas jurisdicciones pueden prohibirle conectarse directamente al agua potable pública para evitar la posibilidad de que los productos químicos regresen al sistema. Por lo general, se permiten las conexiones realizadas a través de un dispositivo de prevención de reflujos o un tanque receptor.

AVISO

El agua utilizada en este dispositivo debe provenir de una tubería principal de agua. **NO** use este dispositivo con agua de un lago, piscina, estanque, etc. **NUNCA** use agua caliente con este producto.

- Cierre completamente el grifo de agua.
- Desenrolle y enderece la manguera de jardín para eliminar cualquier doblez o torcedura.
- Enjuague el agua a través de la manguera durante varios segundos para eliminar los desechos y luego cierre el grifo nuevamente.
- Inspeccione la pantalla dentro de la entrada de agua en busca de daños u obstrucciones. Limpie o reemplace según sea necesario. **NUNCA** conecte una manguera de jardín sin la pantalla en su lugar.
- Inserte la manguera de jardín en la entrada de agua.
- Enrosque el collar de la entrada en la manguera de jardín. Apriete firmemente.

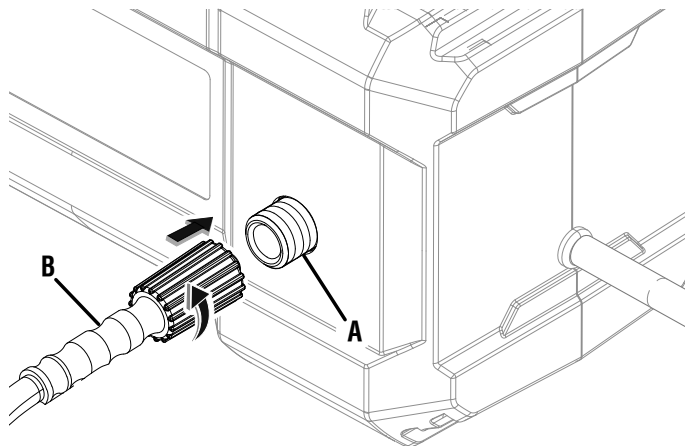
AVISO

SIEMPRE abra el suministro de agua antes de encender la lavadora a presión. Hacer funcionar la bomba sin agua dañará los componentes internos y hará que la lavadora a presión deje de funcionar.

VISIÓN GENERAL

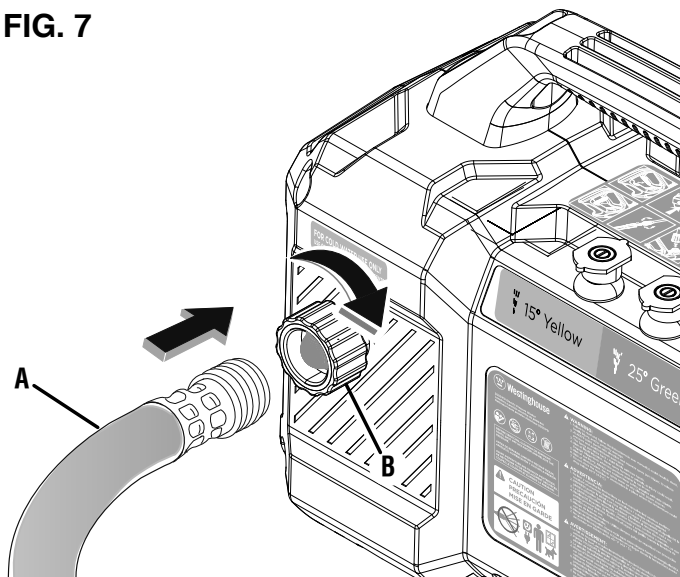
Esta lavadora a presión puede producir niveles muy altos de presión de agua y se puede usar para una variedad de aplicaciones de limpieza, como la limpieza de cubiertas y pasillos, el lavado de vehículos y equipos; y quitar la suciedad de los exteriores y las cercas de las casas.

FIG. 6



- A - Salida roscada
- B - Manguera de alta presión

FIG. 7



- A - Manguera de jardín
- B - Entrada de agua

OPERACIÓN

⚠ADVERTENCIA No altere ni modifique este producto a menos que así lo indique este manual o el fabricante. No utilice aditamentos o accesorios que no estén recomendados para su uso con este producto. La realización de modificaciones no autorizadas y el uso de accesorios incompatibles pueden dañar la unidad y anular la garantía.

⚠ADVERTENCIA SIEMPRE use protección para los ojos para evitar lesiones en los ojos cuando opere la lavadora a presión.

⚠ADVERTENCIA NUNCA rocíe directamente sobre una persona, un animal, un dispositivo eléctrico o la unidad misma. El incumplimiento de esta advertencia podría provocar lesiones graves, descargas eléctricas o la muerte.

ARRANQUE Y PARADA DE LA LAVADORA A PRESIÓN

Vea la figura 8.

- Conecte una manguera de jardín como se describió anteriormente y abra el agua.

AVISO SIEMPRE abra el suministro de agua antes de encender la lavadora a presión. Hacer funcionar la bomba sin agua dañará los componentes internos y hará que la lavadora a presión deje de funcionar.

- Conecte una manguera de jardín y abra el agua.
- Coloque el interruptor de encendido/apagado en la posición **APAGADO (O)**.
- Desenrolle completamente el cable de alimentación y conéctelo a un tomacorriente de 120 voltios con conexión a tierra.

⚠ADVERTENCIA Mantenga todas las conexiones secas y alejadas del suelo. No toque el enchufe con las manos mojadas.

- Sostenga la pistola rociadora con ambas manos y apunte la lanza en una dirección segura.

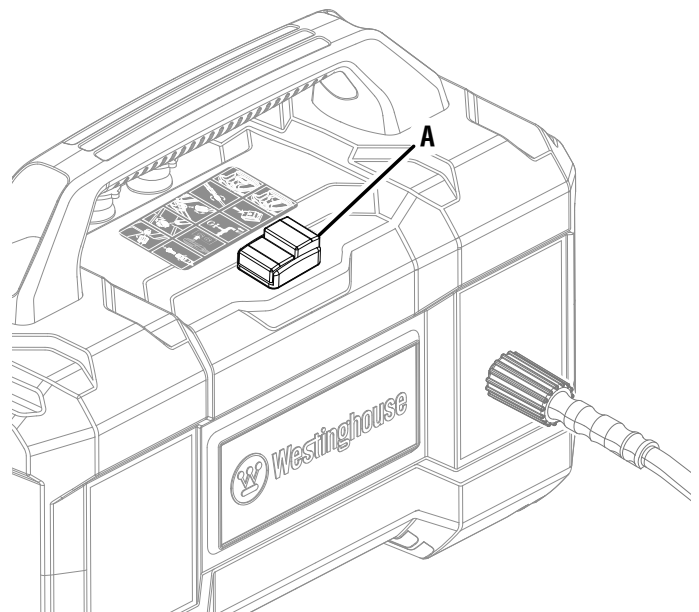
- Suelte el bloqueo de seguridad y apriete el gatillo para liberar el agua y el aire de la manguera. Continúe apretando el gatillo hasta que haya un chorro constante de agua, luego suelte y bloquee el gatillo. Consulte **Uso de la pistola rociadora** más adelante en esta sección.

- Coloque el botón de encendido/apagado en la posición **ENCENDIDO (I)** para iniciar la lavadora a presión. La unidad funcionará durante varios segundos y se apagará. Esta es una función normal de la función de inicio automático.

NOTA: La unidad podría estar presurizada incluso si no escucha el funcionamiento del motor y la bomba. Siempre tenga cuidado cuando esté cerca de una lavadora a presión.

- Coloque el interruptor de encendido/apagado en la posición **APAGADO (O)** para detener la lavadora a presión.
- Cuando detiene la lavadora a presión, la presión del agua puede permanecer en el sistema. Apunte la pistola rociadora en una dirección segura y apriete el gatillo para liberar la presión del agua.

FIG. 8



A - Botón de encendido/apagado

OPERACIÓN

USO DE LA PISTOLA DE PULVERIZACIÓN

Vea la figura 9.

⚠ADVERTENCIA Sostenga la pistola rociadora y la lanza con las dos manos (una mano para apretar el gatillo y la otra para estabilizar la pistola) hasta que se acostumbre al “retroceso”. No pierda el control de la pistola rociadora. Si lo hace, podría lesionarse a usted mismo y a otras personas.

- Ponga en marcha la lavadora a presión.
- Libere el bloqueo de seguridad empujándolo hacia abajo en la ranura del gatillo.
- Apriete y sostenga el gatillo para iniciar el flujo de agua.
- Suelte el gatillo para detener el flujo de agua.
- Bloquee el gatillo empujándolo hacia arriba hasta su posición original.

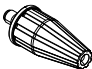
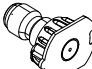
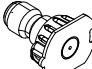

NOTA: Apriete el gatillo para asegurarse de que esté bloqueado y no se mueva. SIEMPRE mantenga la pistola rociadora bloqueada cuando no esté en uso.

INSTALACIÓN DE BOQUILLAS

Vea la figura 10.

⚠ADVERTENCIA SIEMPRE apague la lavadora a presión, libere la presión en la pistola rociadora y bloquee el gatillo antes de quitar o instalar una boquilla. NUNCA apunte la lanza a su cara. El incumplimiento de esta advertencia podría resultar en lesiones graves.

- Detenga la lavadora a presión y cierre completamente el grifo de agua.
- Apunte la pistola rociadora en una dirección segura y apriete el gatillo para liberar la presión del agua.
- Bloquee el gatillo.
- Empuje la boquilla en la lanza hasta que encaje en su lugar y quede segura.
- Para quitar la boquilla, tire del collar hacia atrás y aleje la boquilla de la lanza.

BOQUILLA	USO GENERAL
 Turbo	Alta Presión. Úselo para limpiar concreto, eliminar manchas difíciles y quitar pintura. Utilizar con precaución.
 15°	Presión moderada. Seguro para usar en patios de ladrillo y pavimentados.
 25°	
CAÑÓN DE ESPUMA	USO GENERAL
	Baja Presión. Seguro para coches, ventanas y cubiertas.

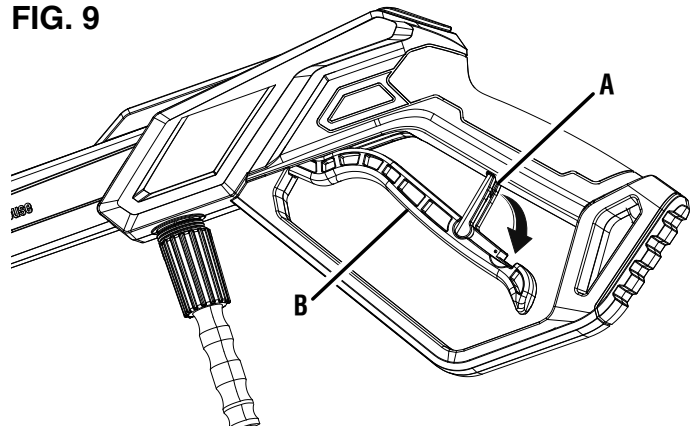
LIMPIEZA CON LA LAVADORA A PRESIÓN

Vea las figuras 11 a 13.

Para limpiar con detergente:

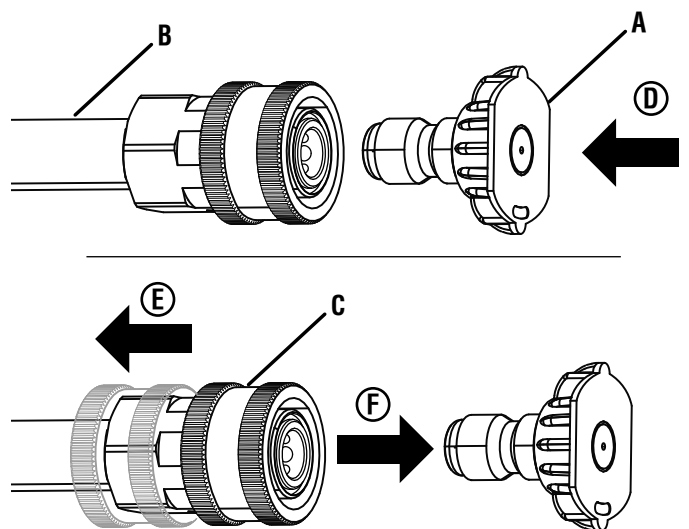
- Detenga la lavadora a presión y cierre completamente el grifo de agua.
- Apunte la pistola rociadora en una dirección segura y apriete el gatillo para liberar la presión del agua.

FIG. 9



A - Gatillo
B - Bloqueo de seguridad

FIG. 10



A - Boquilla
B - Lanza
C - Collar
D - Empuje la boquilla hacia adentro
E - Tire del cuello hacia atrás
F - Quitar boquilla

OPERACIÓN

- Separe la botella de jabón del cañón de espuma girándola en sentido contrario a las agujas del reloj.
- Llene el botella de jabón con una proporción adecuada de detergente y agua, siguiendo las instrucciones del fabricante del detergente.

NOTA: Use detergentes diseñados para lavadoras a presión. El detergente debe tener la consistencia del agua.

NO use detergentes espesos, tipo gel.

- Para volver a instalar la botella de jabón, colóquela en el cañón de espuma y gírela en el sentido de las agujas del reloj.
- Instale el cañón de espuma en la lanza. El cañón de espuma se instala y retira de la misma manera que las boquillas.
- Abra el agua y encienda la lavadora a presión.
- Apriete el gatillo y espere varios segundos hasta que aparezca detergente en el chorro de agua.
- Comience a limpiar en la parte inferior de la superficie y avance hacia arriba con un movimiento de lado a lado. No permita que el jabón se seque sobre la superficie que se está limpiando.
- Suelte el gatillo para detener la lavadora a presión.
- Deje que el motor se detenga por completo antes de volver a apretar el gatillo.

NOTA: Apretar el gatillo rápidamente hará que la función de inicio automático pierda un ciclo de encendido/apagado y puede evitar que la lavadora se encienda. Use gatillos lentos y deliberados para evitar esto.

- Cuando haya terminado, retire el exceso de detergente de la botella de jabón y llénela con agua limpia. Rocíe el agua a través del cañón de espuma para enjuagar el sistema.

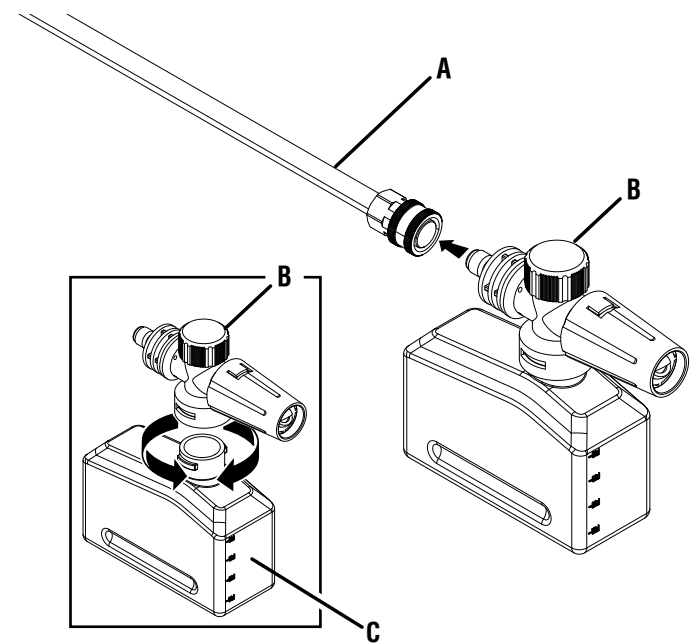
Para limpiar sin detergente:

- Detenga la lavadora a presión y cierre completamente el grifo de agua.
- Apunte la pistola rociadora en una dirección segura y apriete el gatillo para liberar la presión del agua.
- Si está instalado, retire el cañón de espuma y instale la lanza
- Instale una boquilla adecuada para la tarea que está realizando.
- Abra el agua y encienda la lavadora a presión.
- Libere el bloqueo de seguridad y comience a lavar a presión apretando el gatillo hasta el fondo del mango.

NOTA: Siempre pruebe en un área pequeña y discreta para evitar o reducir el daño.

- Comience a limpiar en la parte inferior de la superficie y avance hacia arriba con un movimiento de lado a lado.

FIG. 11



- A - Lanza
- B - Cañón de espuma
- C - Botella de jabón

FIG. 12

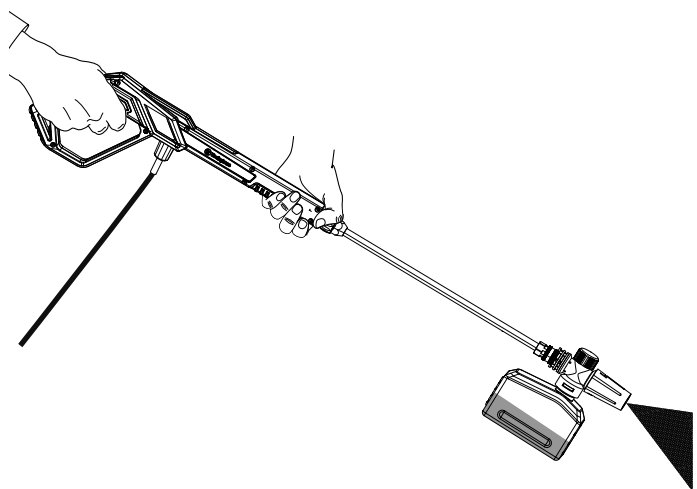


FIG. 13



OPERACIÓN

CONSEJOS DE FUNCIONAMIENTO

- Es normal escuchar el funcionamiento intermitente del motor cuando no se aprieta el gatillo. La bomba se está cebando para funcionar cuando se vuelve a apretar el gatillo.
- Para evitar dañar las superficies:
 - Utilice siempre una boquilla adecuada
 - Reduzca la presión del agua ajustando el ángulo del chorro o aumentando la distancia desde la boquilla hasta la superficie.
- Siempre rocíe detergente sobre una superficie seca. No remoje previamente la superficie. Mojar primero la

superficie diluye el detergente y reduce su capacidad de limpieza.

- Para las manchas difíciles, puede ser necesario volver a aplicar el detergente y usar un cepillo de cerdas para restregar la mancha.
- Mantenga una herramienta de limpieza de boquillas cerca para desatascar las boquillas.
- Las juntas tóricas de la manguera de alta presión deben limpiarse regularmente y lubricarse con grasa no soluble en agua, como vaselina.
- Apague la lavadora a presión después de cinco minutos de inactividad.

CUIDADO Y MANTENIMIENTO

⚠ ADVERTENCIA SIEMPRE apague la lavadora a presión, libere la presión de la pistola rociadora y desconecte la lavadora a presión antes de realizar el mantenimiento.

⚠ ADVERTENCIA Reemplace los elementos dañados o desgastados con piezas de repuesto recomendadas o equivalentes. El uso de una pieza incorrecta o incompatible podría crear un peligro que podría provocar lesiones personales graves.

AVISO Verifique el estado físico del producto antes de cada uso. Busque pernos sueltos, fugas de líquido y otros signos de desgaste. Reemplace todos los artículos dañados. Para piezas de repuesto o asistencia, comuníquese con nuestro equipo de servicio al cliente.

Para prolongar la vida útil de este producto, siga las instrucciones de cuidado y mantenimiento de esta sección. Comuníquese con el servicio de atención al cliente antes de realizar el mantenimiento de piezas retiradas o cubiertas por la garantía.

LIMPIEZA DE LA LAVADORA A PRESIÓN

No almacene ni opere su lavadora a presión en ambientes sucios, polvorientos o corrosivos. No permita que materiales extraños y desechos obstruyan las rejillas de ventilación de la unidad.

NUNCA limpie la lavadora a presión con una manguera de jardín. El agua puede dañar los componentes eléctricos de la lavadora a presión. Si es necesario limpiar la unidad, use un cepillo suave y un paño húmedo para limpiar el exterior y use aire a baja presión (no más de 25 psi) para limpiar las rejillas de ventilación.

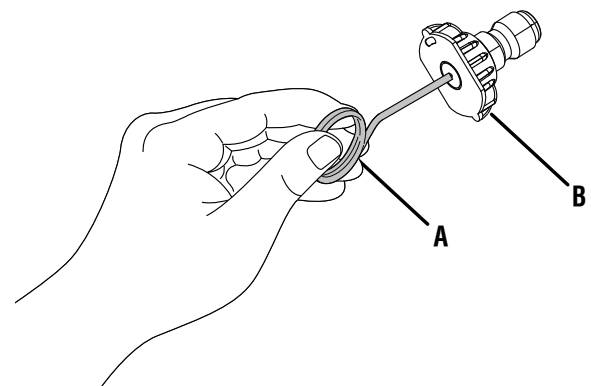
Nunca use gasolina como agente de limpieza.

LIMPIEZA DE LAS BOQUILLAS

Vea la figura 14.

- Detenga la lavadora a presión y cierre completamente el grifo de agua.
- Libere la presión en la pistola rociadora y desenchufe la lavadora a presión.
- Retire la boquilla de la pistola rociadora.
- Utilice una herramienta de limpieza de boquillas o una aguja fina para limpiar los residuos del interior de la boquilla.
- Usando una manguera de jardín, enjuague el agua a través de la boquilla.
- Cuando la boquilla esté limpia, colóquela de nuevo en la lanza o en el área de almacenamiento de la boquilla.

FIG. 14



A - Herramienta de limpieza de boquillas
B - Boquilla

CUIDADO Y MANTENIMIENTO

LIMPIEZA DE LAS PANTALLAS DE ENTRADA DE AGUA

Vea la figura 15.

Las pantallas dentro del adaptador de la manguera de jardín deben limpiarse periódicamente. Retire las mallas, enjuáguelas con agua limpia y vuelva a colocarlas en la entrada.

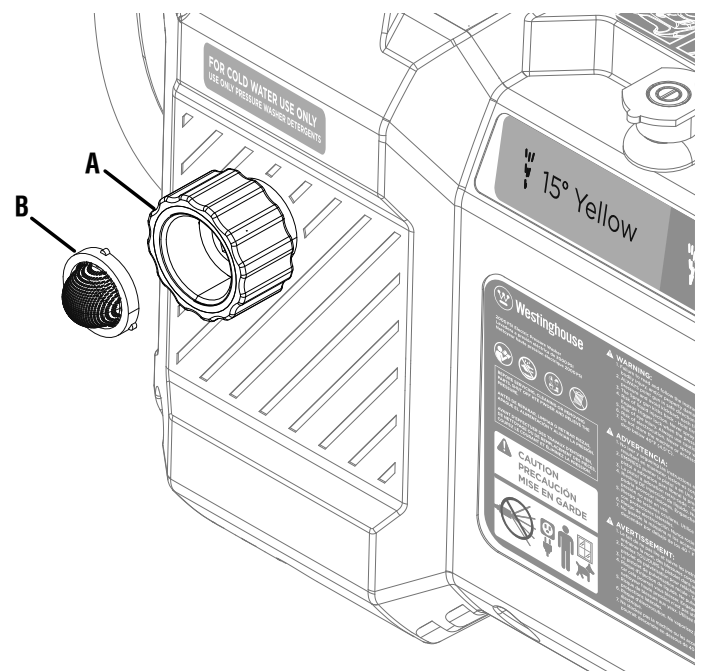
ALMACENAMIENTO

Vea la figura 16.

NOTA: Use protectores de bomba disponibles comercialmente para prolongar la vida útil de la bomba. Siga las instrucciones de uso del fabricante.

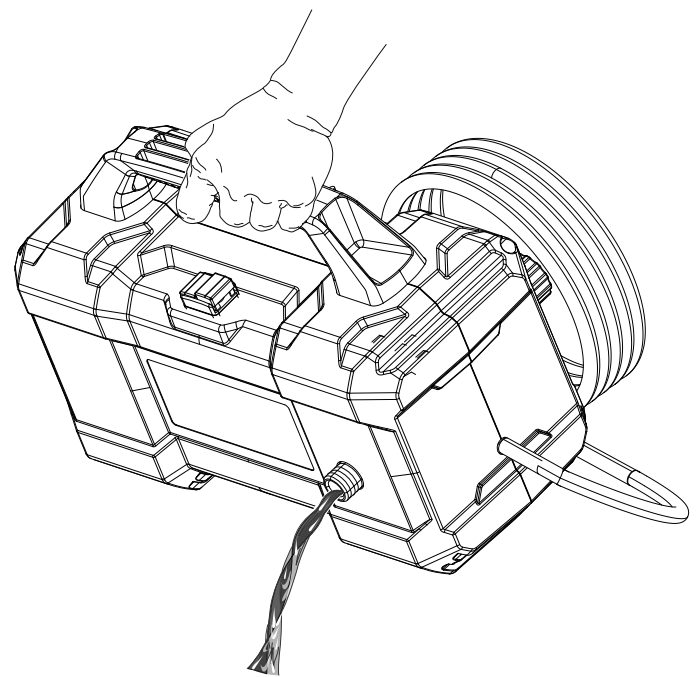
- Libere la presión en la pistola rociadora y desenchufe la lavadora a presión. Enrolle el cable alrededor del retenedor del cable.
- Desconecte la manguera de jardín y la manguera de alta presión.
- Incline la lavadora a presión para permitir que el exceso de agua drene de la salida roscada.
- Retire todas las boquillas y colóquelas en el área de almacenamiento de boquillas.
- Desmonte la pistola rociadora y la lanza.
- Guarde la lavadora a presión y accesorios en un lugar seco y cubierto, lejos del calor extremo que podría secar los sellos de la bomba y del frío extremo que podría causar daños por congelamiento.

FIG. 15



A - Entrada de agua
B - Pantalla

FIG. 16



SOLUCIÓN DE PROBLEMAS

Las piezas de mantenimiento se pueden comprar directamente de fábrica. A continuación se incluye una lista parcial de las piezas de mantenimiento. Para obtener una lista completa de las piezas de mantenimiento o para obtener información adicional, envíenos un correo electrónico a service@wpowereq.com o llame al **1-855-944-3571**.

Filtro de entrada	04000182-0
Cañón de espuma	02000510-0
Boquilla turbo.....	02000313-0
Boquilla 15°	03000260-0
Boquilla 25°	03000270-0

⚠️ ADVERTENCIA No utilice aditamentos o accesorios que no estén recomendados para su uso con este producto. Hacer modificaciones no autorizadas y usar accesorios incompatibles puede dañar la unidad y anular la garantía.

SOLUCIÓN DE PROBLEMAS

PROBLEMA	CAUSA POSIBLE	CORRECCIÓN
La unidad no se enciende.	La lavadora a presión no está conectada a una fuente de alimentación o la fuente de alimentación no está conectada a tierra	Conecte el cable de alimentación a una toma de corriente de 120 voltios con conexión a tierra
	La presión del agua está en la manguera.	Apriete el gatillo para liberar la presión del agua.
	GFCI está disparado	Presione el botón RESET en el cable de alimentación
	Motor o cable de alimentación defectuosos.	Comuníquese con el servicio de atención al cliente de Westinghouse al número gratuito 1 (855) 944-3571.
La unidad está funcionando pero no hay flujo de agua.	Fuente de agua inadecuada	Conecte la lavadora a presión a una red de agua. No utilice este dispositivo con agua de un lago, piscina, estanque, etc.
	Boquilla obstruida	Limpiar la boquilla
	Lanza pulverizadora defectuosa	Reemplace la lanza
El agua está goteando donde la manguera se conecta a la pistola rociadora.	Junta tórica defectuosa o faltante entre la manguera de alta presión y la pistola rociadora.	Reemplace la junta tórica.
La lavadora a presión se enciende durante 2 segundos, se apaga y no se vuelve a encender.	La función de inicio automático está apagando la unidad.	Cuando se enciende la lavadora a presión, el motor puede funcionar durante 1 a 2 segundos para cebar la bomba. Luego se apagará automáticamente hasta que se apriete el gatillo de la pistola rociadora. Esto es normal y no indica un problema.

GARANTÍA

WESTINGHOUSE EQUIPOS DE ALIMENTACIÓN AL AIRE LIBRE GARANTÍA LIMITADA DE TRES AÑOS

RESPONSABILIDAD DEL EQUIPO DE ALIMENTACIÓN EXTERIOR DE WESTINGHOUSE

Westinghouse Outdoor Power Equipment LLC ("Westinghouse") garantiza al comprador original que su línea de lavadoras a presión eléctricas Westinghouse estará libre de defectos en materiales y mano de obra. En condiciones normales de uso y mantenimiento a partir de la fecha de compra, Westinghouse acuerda reparar o reemplazar, a discreción exclusiva de Westinghouse, cualquier producto defectuoso sin cargo en cualquier Distribuidor de servicio autorizado de Westinghouse autorizado dentro de las aplicaciones, los plazos, las limitaciones y las exclusiones que se detallan a continuación. ESTA GARANTÍA LIMITADA SE EXTENDE SOLAMENTE AL COMPRADOR ORIGINAL Y NO ES TRANSFERIBLE A LOS PROPIETARIOS POSTERIORES, EXCEPTO POR LAS PARTES RELACIONADAS CON LAS EMISIONES. Para obtener una lista de los distribuidores de servicio autorizados de Westinghouse, consulte www.wpowereq.com o llame al 1-855-944-3571.

RESPONSABILIDAD DEL PROPIETARIO

Para garantizar una cobertura de garantía sin complicaciones, es importante que registre su lavadora a presión eléctrica Westinghouse en línea en www.wpowereq.com, por teléfono automático al 1-855-944-3571, o completando y devolviendo a Westinghouse el registro de garantía tarjeta suministrada con su lavadora a presión. El registro de su producto confirma la cobertura de su garantía y proporciona un enlace directo entre usted y Westinghouse en caso de que sea necesario contactarlo.

Su recibo de compra, incluida la fecha, el modelo y el número de serie, debe mantenerse y presentarse al servicio de atención al cliente de Westinghouse para obtener el servicio de garantía. La prueba de compra recae exclusivamente en usted, el comprador original. Debe demostrar un cuidado y uso razonables y seguir las pautas de mantenimiento preventivo y almacenamiento según lo prescrito en el manual del operador de su unidad Westinghouse. En caso de que ocurra una dificultad con el producto, debe, a su cargo, entregar o enviar su unidad Westinghouse a un concesionario de servicio autorizado para reparaciones de garantía (que debe ocurrir dentro del período de garantía aplicable), y hacer los arreglos para recoger o devolver su unidad después de se han realizado las reparaciones. Si el comprobante de compra no está disponible para establecer la fecha de compra ni el producto está registrado como se describe en este documento, la fecha de fabricación está registrada.

Para encontrar el distribuidor de servicio autorizado de Westinghouse más cercano a usted, llame al servicio de atención al cliente de Westinghouse al 1-855-944-3571 o visite la página "Localice un distribuidor de servicio" en www.wpowereq.com. Si necesita ayuda o tiene preguntas sobre Westinghouse Declaración de garantía, puede contactarnos en línea en www.wpowereq.com o llamar al 1-855-944-3571.

APLICACIONES DE GARANTÍA DE PRODUCTOS Y PERÍODOS DE GARANTÍA DE PRODUCTOS

APLICACIÓN AL CONSUMIDOR

A los fines de esta garantía limitada, "Aplicación para el consumidor" se refiere al uso por parte del comprador original con el propósito de uso residencial personal o recreativo. Para aquellos que usan este producto para una aplicación de consumo, se aplican los siguientes términos de garantía:

Las piezas y la mano de obra estarán totalmente cubiertas por un período de un año a partir de la fecha de compra.

Las piezas solo estarán completamente cubiertas por un período de dos años a partir de la fecha de compra.

A discreción exclusiva de Westinghouse, ciertos reemplazos estarán completamente cubiertos por un período de tres años a partir de la fecha de compra.

APLICACIÓN COMERCIAL

A los fines de esta garantía limitada, "Aplicación Comercial" significa el uso por parte del comprador original con el fin de generar ingresos, el uso de relaciones comerciales. Una vez que se haya utilizado una lavadora a presión eléctrica Westinghouse para generar ingresos y para fines comerciales, se considerará un producto utilizado para una "Aplicación comercial" y se aplicarán los siguientes términos de garantía:

Las piezas y la mano de obra estarán completamente cubiertas por un período de noventa días a partir de la fecha de compra.

EXCLUSIONES

Los siguientes artículos están excluidos de la cobertura de la garantía:

- Utilización de piezas de repuesto que no sean de Westinghouse, excepto cuando lo autorice Westinghouse por escrito
- Costos de mantenimiento rutinario / normal
- Reparaciones o diagnósticos realizados por un distribuidor de servicio no autorizado, excepto cuando Westinghouse lo autorice por escrito
- Fallos del producto debido al desgaste normal, accidentes, mal uso, abuso, negligencia o uso incorrecto.
- Fallos del producto debido a cualquier causa externa, incluidos, entre otros: colisión, robo, vandalismo, disturbios, guerra, fuego, congelación, rayos, terremotos, tormentas de viento, granizo, daños por agua, daños por inundaciones, daños por tornados, daños relacionados con roedores / plagas o daño por huracán
- Productos que se modifican o alteran de una manera no autorizada por escrito por Westinghouse
- Cualquier daño incidental, consecuente o indirecto causado por defectos en materiales o mano de obra.
- Cualquier daño incidental, consecuente o indirecto causado por la demora en la reparación o reemplazo de piezas defectuosas
- Falla del producto debido a una aplicación incorrecta
- Teléfono, teléfono celular, fax, internet o cualquier otro gasto relacionado con la comunicación \
- Gastos relacionados con la "instrucción del cliente" o la resolución de problemas donde no se encuentra ningún defecto de fabricación
- Flete nocturno o costos de envío especiales para piezas de repuesto.
- Horas extras, vacaciones o costos laborales de emergencia

DESCARGO DE RESPONSABILIDAD DE GARANTÍAS IMPLÍCITAS

Esta garantía limitada reemplaza a todas las demás garantías expresas o implícitas, incluida cualquier garantía de APTITUD PARA UN PROPÓSITO O USO PARTICULAR y cualquier GARANTÍA IMPLÍCITA DE COMERCIABILIDAD aplicable de otra manera a la línea de lavadoras a presión eléctricas de Westinghouse y sus compañías afiliadas no serán responsables de ninguna daños especiales, incidentales o consecuentes, incluida la pérdida de beneficios. No hay garantías extendidas más allá de lo dispuesto en este documento. Esta garantía limitada solo puede ser modificada por Westinghouse Outdoor Power Equipment LLC. Cualquier garantía implícita permitida por la ley estará limitada en duración a los términos de la garantía expresa provista en este documento. Algunos estados no permiten la exclusión o limitación de daños incidentales o consecuentes, por lo que la limitación anterior puede no aplicarse en su caso. Esta garantía le otorga derechos legales específicos. También tiene otros derechos de estado a estado. WESTINGHOUSE OUTDOOR POWER EQUIPMENT LA ÚNICA RESPONSABILIDAD DE LLC SERÁ LA REPARACIÓN O REEMPLAZO COMO SE INDICÓ ARRIBA. EN NINGÚN CASO WESTINGHOUSE SERÁ RESPONSABLE DE NINGÚN DAÑO INCIDENTAL O CONSECUENTE, INCLUSO SI TALES DAÑOS SON UN RESULTADO DIRECTO DE LA NEGLIGENCIA DE MWE INVESTMENTS, LLC. Algunos estados no permiten la exclusión o limitación de daños incidentales o consecuentes, por lo que la limitación anterior puede no aplicarse en su caso.

Esta garantía limitada es otorgada por Westinghouse Outdoor Power Equipment LLC (777 Manor Park Drive, Columbus, OH 43228).

FRANÇAIS

ePX3100V

NETTOYEUR HAUTE PRESSION ÉLECTRIQUE

2100 PSI | 1.76 GPM

MANUEL DE L'UTILISATEUR

NE PAS RETOURNER CE PRODUIT AU MAGASIN

Si vous avez des questions ou avez besoin d'aide, veuillez appeler le service client au 855-944-3571.

TABLE DES MATIÈRES

Introduction.....	2-3
Sécurité	4-7
Électrique.....	8
Composants	9
Assemblage.....	10-12
Fonctionnement.....	12-15
Entretien et maintenance.....	15-17
Dépannage.....	17
Garantie.....	18
Hotline de service/adresse de l'entreprise.....	Page arrière

INTRODUCTION

⚠ AVERTISSEMENT Ce produit et d'autres substances susceptibles de se propager dans l'air suite à son utilisation contiennent des produits chimiques, notamment du plomb, reconnus par l'État de Californie comme pouvant causer le cancer, des malformations congénitales ou d'autres troubles de la reproduction. **Se laver les mains après manipulation.** Pour plus d'informations, rendez-vous sur www.P65warnings.ca.gov.

AVIS DE NON-RESPONSABILITÉ

Toutes les informations, illustrations et spécifications contenues dans ce manuel étaient en vigueur au moment de la publication. Les illustrations utilisées dans ce manuel sont uniquement destinées à servir de vues de référence représentatives. Nous nous réservons le droit d'apporter des modifications aux spécifications ou à la conception sans préavis.

TOUS LES DROITS SONT RÉSERVÉS

Tous les droits sont réservés. Aucune reproduction autorisée sous quelque forme que ce soit sans l'autorisation écrite de Westinghouse Outdoor Power Equipment.



⚠ DANGER Lisez ce manuel avant d'utiliser ou d'effectuer l'entretien de ce produit. Le non-respect des instructions et des consignes de sécurité de ce manuel peut entraîner des blessures graves ou la mort.

MISES À JOUR

Le dernier manuel d'utilisation de vos produits Westinghouse se trouve sous notre onglet d'assistance. wpowereq.com/pages/manuals

Ou scannez le code QR suivant avec l'appareil photo de votre smartphone pour être dirigé vers le lien.



INTRODUCTION

ENREGISTREMENT DU PRODUIT

Pour une couverture de garantie sans problème, il est important d'enregistrer votre produit Westinghouse.

Vous pouvez vous inscrire par :

- Remplir et envoyer la carte d'enregistrement du produit incluse dans le carton.
- Enregistrez votre produit en ligne sur: wpowereq.com/pages/warranty-registration
- Scannez le code QR ci-dessus avec l'appareil photo de votre smartphone pour être dirigé vers le lien d'enregistrement mobile.



Pour vos dossiers

Date d'achat: _____

Numéro de modèle: _____

Numéro de série: _____

Lieu d'achat: _____

- Envoi des informations suivantes sur le produit à :

Westinghouse Outdoor Power

Warranty registration

777 Manor Park Drive

Columbus, OH 43228

IMPORTANT : Conservez votre reçu d'achat pour une couverture de garantie sans problème.

CARACTÉRISTIQUES

Température de l'eau..... Eau froide uniquement
Pression maximale 2100 PSI
Pression maximale nominale..... 1800 PSI
Débit d'eau maximal..... 1,76 US GPM (5.3 LPM)

Débit d'eau nominal..... 1,2 US GPM (4,54 LPM)
Phase Single
Entrée 120 V, CA uniquement, 60 Hz, 13 A

⚠ AVERTISSEMENT **NE JAMAIS** pulvériser directement sur une personne, un animal, un appareil électrique ou l'appareil lui-même. Le non-respect de cet avertissement peut entraîner des blessures graves, un choc électrique ou la mort.

AVIS **NE** laissez **JAMAIS** la pompe du nettoyeur haute pression fonctionner pendant plus d'une minute après avoir coupé l'alimentation en eau. Cela peut entraîner une surchauffe et une défaillance du moteur et de la pompe. Déroulez **TOUJOURS** complètement le tuyau d'arrosage et retirez tout objet susceptible de restreindre ou d'empêcher l'écoulement de l'eau vers la machine.

AVIS Merci d'avoir choisi Westinghouse !
VEUILLEZ LIRE AVANT DE RETOURNER CE PRODUIT POUR QUELQUE RAISON QUE CE SOIT.

Si vous avez une question ou rencontrez un problème avec votre achat Westinghouse, appelez-nous au 1-855-944-3571 pour parler avec un agent.

CONSERVEZ CE MANUEL POUR RÉFÉRENCE ULTÉRIEURE.

AVOIR DES QUESTIONS?

Écrivez-nous à service@wpowereq.com
ou composez le 1-855-944-3571

SÉCURITÉ

DÉFINITIONS DE LA SÉCURITÉ

Les mots DANGER, AVERTISSEMENT, ATTENTION et AVIS sont utilisés tout au long de ce manuel pour mettre en évidence des informations importantes. Assurez-vous que la signification de ces informations de sécurité est connue de tous ceux qui utilisent, effectuent l'entretien ou se trouvent à proximité du nettoyeur haute pression.



Ce symbole d'alerte de sécurité apparaît avec la plupart des déclarations de sécurité. Cela signifie attention, devenez vigilant, votre sécurité est en jeu ! Veuillez lire et respecter le message qui suit le symbole des alertes de sécurité.

⚠ DANGER Indique une situation dangereuse qui, si elle n'est pas évitée, entraînera la mort ou des blessures graves.

⚠ AVERTISSEMENT Indique une situation dangereuse qui, si elle n'est pas évitée, peut entraîner la mort ou des blessures graves.

⚠ PRÉCAUTION Indique une situation dangereuse qui, si elle n'est pas évitée, pourrait entraîner des blessures légères ou modérées.

AVIS Indique une situation qui peut causer des dommages au groupe électrogène, à des biens personnels et/ou à l'environnement, ou entraîner un mauvais fonctionnement de l'équipement.

NOTE : Indique une procédure, une pratique ou une condition qui doit être suivie pour que le nettoyeur haute pression fonctionne de la manière prévue.

SYMBOLES DE SÉCURITÉ

Suivez toutes les informations de sécurité contenues dans ce manuel de l'utilisateur ainsi que les informations sur l'étiquetage du produit.

Symbole	Description
	Symbole d'alerte de sécurité
	Risque d'injection
	Choc électrique
	Risque d'explosion. Ne vaporisez jamais de liquides inflammables. Les liquides inflammables et leurs vapeurs peuvent être explosifs.
	Ne pas utiliser dans des conditions humides
	Lire les instructions du fabricant
	Rebond.
	Construction à double isolation
	Porter une protection oculaire et auditive

CONSIGNES DE SÉCURITÉ IMPORTANTES

⚠️ AVERTISSEMENT Pour réduire le risque de blessure, l'utilisateur doit lire et comprendre les instructions avant d'utiliser ce produit.

⚠️ AVERTISSEMENT **Risque d'injection de liquide.** Ne vaporisez jamais les humains ou les animaux, car cela pourrait entraîner des blessures. Verrouillez la gâchette lorsque le nettoyeur haute pression n'est pas utilisé.

⚠️ AVERTISSEMENT Lors de l'utilisation de ce produit, des précautions de base doivent toujours être suivies, notamment les suivantes :


- Prenez **TOUJOURS** le temps de lire toutes les instructions avant d'utiliser le produit.
- Il est recommandé de lire attentivement et de comprendre tous les aspects de fonctionnement du nettoyeur haute pression décrits dans ce manuel pour éviter les blessures et/ou les dommages matériels et pour maximiser votre expérience de lavage sous pression.
- Comprendre et savoir comment arrêter le produit en toute sécurité et purger rapidement les pressions. Familiarisez-vous parfaitement avec toutes les commandes.
- Suivez les instructions d'entretien comme spécifié dans le manuel.
- **N'utilisez PAS** votre nettoyeur haute pression lorsque vous êtes sous l'influence de l'alcool ou de drogues. Utilisez cet outil électrique avec précaution et uniquement lorsque vous êtes vigilant.
- Maintenez la zone d'exploitation à l'écart de toute personne, animal et objet dangereux.
- **NE PAS** dépasser ou se tenir debout sur un support instable. Gardez une bonne assise et un bon équilibre à tout moment.
- **Le nettoyeur haute pression est équipé d'un interrupteur de circuit de fuite à la terre (GFCI) qui réduit considérablement le risque de choc électrique pendant l'utilisation de l'appareil. Si le remplacement de la fiche ou du cordon est nécessaire, n'utilisez que des pièces de rechange identiques.**

CONSERVER CES INSTRUCTIONS POUR FUTURE RÉFÉRENCE.

PROTECTION CONTRE LES DÉFAUTS DE CIRCUIT À LA TERRE

Ce nettoyeur haute pression a un défaut à la terre disjoncteur (GFCI) intégré dans la prise du cordon d'alimentation. Un GFCI offre une protection supplémentaire contre le risque de choc électrique. Si le remplacement de la fiche ou du cordon est nécessaire, utilisez des pièces de rechange identiques qui incluent une protection GFCI.

ENTRETIEN D'UN APPAREIL À DOUBLE ISOLATION

Dans un produit à double isolation, deux systèmes d'isolation sont fournis au lieu de la mise à la terre. Aucun moyen de mise à la terre n'est prévu pour un produit à double isolation, et aucun moyen de mise à la terre ne doit être ajouté au produit. L'entretien d'un produit à double isolation nécessite un soin extrême et une connaissance du système, et ne doit être effectué que par un personnel d'entretien qualifié. Un produit à double isolation est marqué wCe nettoyeur haute pression a un défaut à la terre disjoncteur (GFCI) intégré dans la prise du cordon d'alimentation. Un GFCI offre une protection supplémentaire contre le risque de choc électrique. Si le remplacement de la fiche ou du cordon est nécessaire, utilisez des pièces de rechange qui comportent une protection GFC avec la mention « **DOUBLE INSULATION** » ou « **DOUBLE INSULATED** ». Ce symbole  peut également être apposé sur le produit.

SÉCURITÉ

- Le non-respect des instructions contenues dans le(s) manuel(s) d'utilisation peut entraîner la mort, des blessures corporelles et/ou des dommages matériels.
 - Lorsque vous utilisez le nettoyeur haute pression à proximité d'enfants, assurez-vous qu'ils sont étroitement surveillés par un adulte pour éviter les blessures. **NE JAMAIS** laisser un enfant utiliser le nettoyeur haute pression.
 - Ce nettoyeur haute pression est conforme à la CSA et à d'autres normes de sécurité et de consommation. **NE PAS** modifier ou reconstruire une partie de votre nettoyeur haute pression.
 - Surveillez votre équilibre et vos pieds lorsque vous utilisez votre nettoyeur haute pression. Les surfaces deviennent glissantes lorsqu'elles sont mouillées et sont encore plus glissantes lors de l'utilisation d'un détergent ou d'un nettoyant.
 - **N'utilisez JAMAIS** le nettoyeur haute pression pieds nus, en sandales ou avec des chaussures à bout ouvert.
 - **NE** touchez **PAS** le spray haute pression avec vos doigts, vos mains, vos pieds et veillez à éviter tout contact avec vos yeux car le puissant spray peut provoquer la cécité ou des trous de souffle dans la peau.
 - Portez **TOUJOURS** des lunettes de protection pour éviter les blessures aux yeux lorsque vous utilisez le nettoyeur haute pression.
 - Pour éviter les accidents causant des blessures, utilisez **TOUJOURS** le verrou de sécurité de la gâchette lorsque le nettoyeur haute pression n'est pas utilisé, même si la pulvérisation s'arrête un instant.
 - Dirigez le pistolet pulvérisateur dans une direction sûre lorsque vous commencez à utiliser votre nettoyeur haute pression.
 - **NE JAMAIS** pulvériser directement sur une personne, un animal, un appareil électrique ou l'appareil lui-même. Le nettoyeur haute pression peut briser le verre en cas de contact direct.
 - Tenez le pistolet et la lance à deux mains (une main pour appuyer sur la gâchette et l'autre pour stabiliser le pistolet) jusqu'à ce que vous vous habituiez au « recul ».
 - Lorsque vous arrêtez le nettoyeur haute pression, la pression de l'eau peut rester dans le système. Pour relâcher la pression, pointez le pistolet pulvérisateur dans une direction sûre et appuyez sur la gâchette.
 - **NE JAMAIS** pulvériser de liquides inflammables.
 - **N'utilisez JAMAIS** le nettoyeur haute pression dans des zones contenant des poussières, des liquides ou des vapeurs combustibles.
 - Examinez régulièrement le tuyau. Remplacer si endommagé. En raison de la haute pression impliquée, il ne peut pas être réparé s'il est coupé ou endommagé.
 - Utilisez uniquement un détergent spécialement formulé pour les nettoyeurs haute pression et suivez les instructions sur l'étiquette du détergent.
 - Le détergent peut être nocif pour la peau, les yeux et les poumons. Soyez prudent lorsque vous manipulez des produits chimiques. Le savon à vaisselle et à lessive est trop épais et obstruera la buse de votre bouteille de détergent.
- AVIS**
- Rangez le nettoyeur haute pression à l'intérieur dans un environnement chauffé pour empêcher l'eau de l'appareil de geler et de se dilater. Lorsque l'eau gèle et se dilate, la pompe haute pression se fissure et rend le nettoyeur haute pression inutilisable. Il est recommandé d'utiliser un économiseur de pompe (non inclus) pour protéger les pompes du gel et des fissures.
- **N'utilisez JAMAIS** d'eau chaude avec votre nettoyeur haute pression. Cela surchaufferait et endommagerait les joints et les composants de la pompe haute pression qui ne peuvent pas être réparés.
 - **NE JAMAIS** laisser le nettoyeur haute pression "ON" lorsqu'il est sans surveillance.
 - Mettez **TOUJOURS** l'alimentation en eau sur "ON" avant de mettre le nettoyeur haute pression sur "ON". Faire fonctionner la pompe à sec endommagera les composants internes et rendra le nettoyeur haute pression inutilisable.
 - **N'utilisez JAMAIS** une alimentation en eau pour votre nettoyeur haute pression qui dépasse 150 PSI maximum.
 - **Ne** débranchez **JAMAIS** le tuyau haute pression du nettoyeur haute pression lorsque le système est sous pression.
 - **N'engagez JAMAIS** en permanence les mécanismes de déclenchement du pistolet de pulvérisation.
 - **N'utilisez JAMAIS** le nettoyeur haute pression à moins que tous les composants ne soient correctement et solidement connectés.
 - **Ne** laissez **JAMAIS** la pompe du nettoyeur haute pression fonctionner pendant plus d'une minute après avoir coupé l'alimentation en eau. Cela peut entraîner une surchauffe et une défaillance du moteur et de la pompe.
 - **N'utilisez JAMAIS** une rallonge électrique.
 - **N'utilisez JAMAIS** une rallonge électrique car elle provoque une chute de tension et peut brûler le moteur. Augmente également le risque de choc électrique pour l'opérateur.
 - **N'utilisez JAMAIS** de lances ou d'autres pièces qui ne sont pas compatibles avec cet appareil Westinghouse spécifique.
 - **Ne** vaporisez **JAMAIS** une prise électrique avec votre nettoyeur haute pression.
 - Inspectez le cordon d'alimentation avant de l'utiliser. **NE PAS** l'utiliser s'il est endommagé.
 - Maintenez toutes les connexions au sec et hors du sol. **NE** touchez **PAS** la fiche avec les mains mouillées.

SÉCURITÉ

ÉTIQUETTES ET AUTOCOLLANTS DE SÉCURITÉ

Les informations suivantes figurent sur les étiquettes et les autocollants de votre nettoyeur haute pression.

① Informations sur l'eau et les détergents

- Pour une utilisation en eau froide uniquement.
- N'utilisez que des détergents pour nettoyeurs haute pression

② Caractéristiques

(Voir page 3)

③ Proposition 65 de la Californie

Cancer et troubles de la reproduction - www.P65Warnings.ca.gov/product

④ Instructions de démarrage EZ

Reportez-vous à l'étiquette « EZ Start Instructions » et aux instructions de la section *Fonctionnement* lors du démarrage et de l'arrêt du nettoyeur haute pression.

⑤ Étiquette de buse

- 15° Jaune
- 25° Vert

⑥ Symboles de sécurité

(Voir la page 4)

⑦ Étiquette d'avertissement

Avant l'entretien, le nettoyage ou le retrait de pièces, coupez l'alimentation et relâchez la pression.

⑧ AVERTISSEMENT

- Le non-respect des instructions contenues dans le(s) manuel(s) d'utilisation peut entraîner la mort, des blessures corporelles et/ou des dommages matériels.
- Pointez TOUJOURS le pistolet dans une direction sûre et appuyez sur la gâchette du pistolet pour relâcher la pression et éviter les rebonds à chaque fois.
- Le pistolet pulvérisateur recule – Tenez fermement avec les deux mains.
- Risque d'injection de liquide. Ne vaporisez jamais les humains ou les animaux, car cela pourrait entraîner des blessures. Verrouillez la gâchette lorsque le nettoyeur haute pression n'est pas utilisé.
- Risque de blessure aux yeux. Soyez toujours prudent. Portez des lunettes de sécurité avec protections latérales.
- Risque d'électrocution. Ne vaporisez jamais d'eau sur les sources d'alimentation électrique.
- Ne rangez pas la machine ou ses accessoires dans un endroit où la température pourrait descendre en dessous de 40 °F (4,5 °C).

① FOR COLD WATER USE ONLY
USE ONLY PRESSURE WASHER DETERGENTS

⑤ 15° Yellow 25° Green

②

Low Pressure <i>Presión Pico Presión Dr Crête</i>	2100 PSI (2100 LB/PO2)
Rated Max Pressure <i>Presión Máxima Nominal Presion Nominal Maximal</i>	1800 PSI (1800 LB/PO2)
Maximum Water Flow Rate <i>Tasa Máxima De Flujo De Agua Débit D'eau Maximum</i>	1.76 US GPM (6.6 LPM)
Rated Water Flow Rate <i>Tasa de flujo de agua nominal Débit d'eau nominal</i>	1.2 US GPM (4.54 LPM)
Rating <i>Clasificación Évaluation</i>	120V 1 ph/monophasé, AC 60Hz 13A
Model <i>La Maqueta Modèle</i>	ePX3100v

③

WARNING: Cancer and reproductive harm - www.P65Warnings.ca.gov/product
 AVERTISSEMENT: Cancer et problèmes de reproduction - www.P65Warnings.ca.gov/product
 ADVERTENCIA: Cáncer y daños al sistema reproductor - www.P65Warnings.ca.gov/product

Westinghouse Outdoor Power Equipment
Columbus Ohio 43228 USA
Made in Vietnam

⑥

⑦

⑧

Westinghouse

2000 PSI Electric Pressure Washer
Lavadora a presión eléctrica de 2000 PSI
Nettoyeur haute pression électrique 2000 PSI

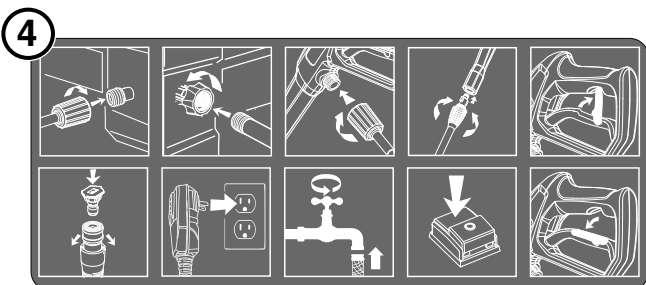
WARNING:
1. Failure to read and follow the instructions in user manual(s) could result in death, bodily injury, and/or property damage.
2. ALWAYS point gun in safe direction and squeeze spray gun trigger, to release pressure and avoid kickback each time.
3. The Spray gun kicks back - Hold firmly with two hands.
4. Risk of Liquid Injection, Never spray humans or animals, as injury could result. Engage trigger lock when the pressure washer is not in use.
5. Risk of eye injury, Always use caution Wear safety goggles with side shields.
6. Risk of electrocution, Never spray water on any electric power sources.
7. Do not store the machine or accessories in a place where the temperature could drop below 40°F (4.5°C).

ADVERTENCIA:
1. No leer y seguir las instrucciones en los manuales led usuarios podria resultar en muerte, lesiones corporales y / o danos a la propiedad.
2. SIEMPRE puntee la pistola en una direccion segura y apropiada el disparo DE la pistola a adoracion para liberar la presion y levitate el retrochock cad a vez.
3. La pistola a adoracion retrocede - Suseite firmamente con las dos manos.
4. Riesgo DE inyeccion de liquido. Nunca rocie a areas humanas o animales, ya que podria provocar lesiones. Enganche el seguro del gatillo cuando la lavadora de presion no este en uso.
5. Riesgo de lesiones oculares. Utilice siempre gafas de seguridad con proteccion con protectores laterales.
6. Riesgo de electrocucion. Nunca rocie agua sobre ninguna fuente de energia electrica.
7. No guarde la maquina ni los accesorios en un lugar donde la temperatura pueda descender por debajo de los 40 ° F (4.5 ° C).

AVANT D'EFFECTUER DES TRAVAUX D'ENTRETIEN, DE NETTOYAGE OU DE REMPLACEMENT DES PIÈCES, COUPEZ LE COURANT ET ELÉVIEZ LA PRESION.

CAUTION PRECAUCIÓN MISE EN GARDE

AVERTISSEMENT:
1. Le fait de ne pas lire et suivre les instructions du (des) manuel (s) de l'utilisateur peut entraîner la mort, des blessures corporelles et/ou des dommages matériels.
2. Pointez TOUJOURS le pistolet dans une direction sûre et appuyez sur la gâchette du pistolet de pulvérisation pour relâcher la pression et éviter les rebonds à chaque fois.
3. Le pistolet de pulvérisation recule - Tenez fermement avec deux mains.
4. Risque d'injection de liquide. Ne pulvériser jamais sur des humains ou des animaux, car cela pourrait vous blesser. Engagez le verrouillage de la gâchette lorsque le nettoyeur haute pression n'est pas utilisé.
5. Risque de blessure aux yeux. Utilisez toujours des lunettes de sécurité avec protections latérales.
6. Risque d'électrocution. Ne vaporisez jamais d'eau sur les sources d'alimentation électrique.
7. Ne rangez pas la machine ou les accessoires dans un endroit où la température pourrait descendre en dessous de 40 ° F (4,5 ° C).



ÉLECTRIQUE

DOUBLE ISOLATION

La double isolation élimine le besoin d'un cordon d'alimentation à trois fils avec mise à la terre. Les produits à double isolation n'ont pas besoin d'être mis à la terre car les pièces métalliques exposées sont recouvertes d'une isolation protectrice qui les isole des composants métalliques internes du moteur.

⚠ AVERTISSEMENT Un système à double isolation est conçu pour protéger contre les chocs causés par une rupture de l'isolation interne du produit. Pour éviter les chocs électriques, suivez toutes les procédures de sécurité ordinaires.

NOTE : Les produits à double isolation ne doivent être réparés que par des techniciens de service qualifiés. Pour plus d'informations, contactez le service client Westinghouse sans frais au 1 (855) 944-3571.

MOTEUR CA

Le moteur électrique de ce produit a été conçu pour fonctionner avec une **alimentation CA nominale de 120 V/60 Hz (circuit domestique américain moyen)**. Il n'est pas destiné à fonctionner sur courant continu (DC). Une chute de tension importante entraînera une perte de puissance et pourrait endommager le moteur.

PROTECTION CONTRE LES DÉFAUTS DE CIRCUIT À LA TERRE

Voir Figure 1.

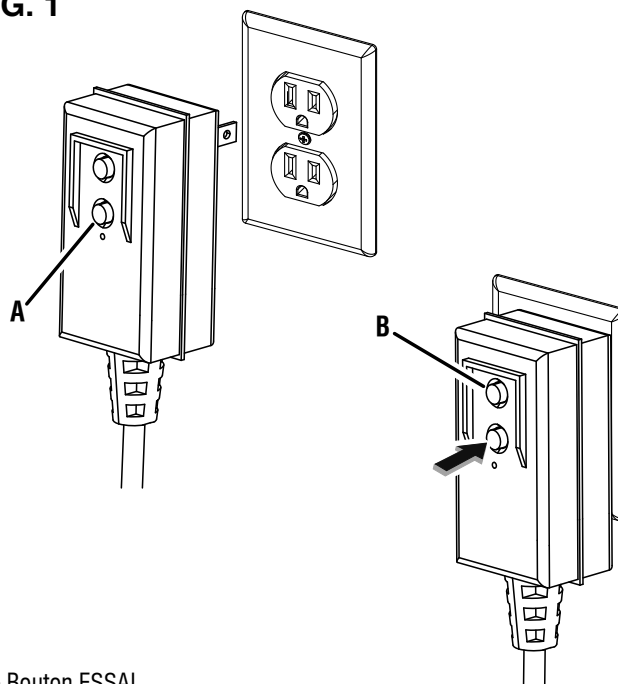
Ce nettoyeur haute pression est équipé d'un disjoncteur de fuite à la terre (GFCI) intégré dans la fiche du cordon d'alimentation. Un GFCI protège contre les courants de défaut à la terre tels qu'un courant qui traverserait une personne debout sur une surface humide tout en tenant un produit avec une isolation défectueuse. Les fiches GFCI ne protègent pas contre les chocs, les courts-circuits et les surcharges. Si le remplacement de la fiche ou du cordon est nécessaire, utilisez des pièces de rechange identiques qui incluent une protection GFCI.

Pour tester le GFCI :

- Branchez le cordon d'alimentation dans une prise.
- Appuyez sur le bouton TEST et écoutez un "clac" indiquant que la connexion à l'alimentation électrique a été interrompue.
- Appuyez sur le bouton RESET pour rétablir l'alimentation de l'appareil. Le voyant LED s'allume lorsque l'alimentation est rétablie.

Testez le GFCI tous les mois pour vous assurer de son bon fonctionnement.

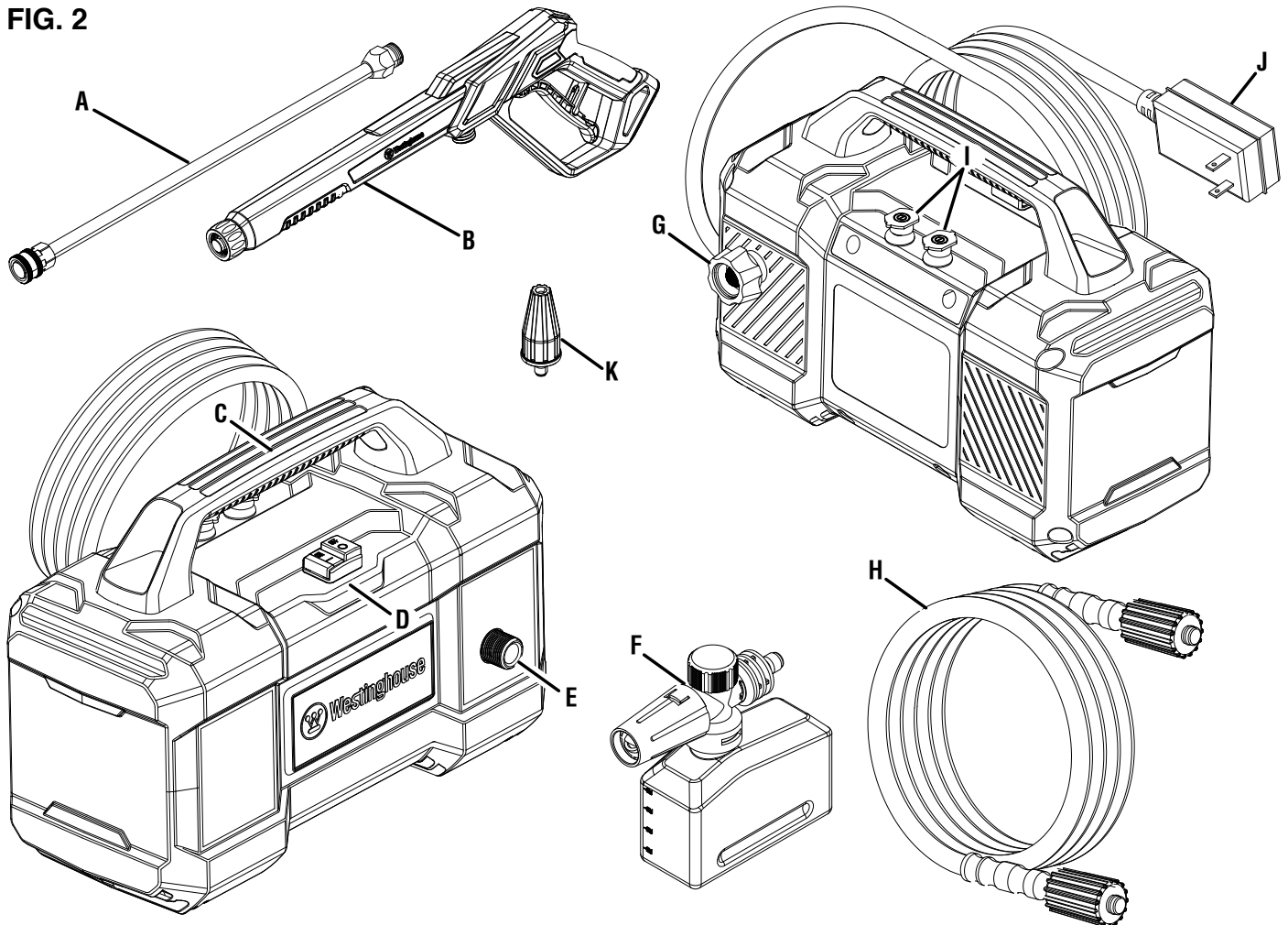
FIG. 1



A - Bouton ESSAI
B - Bouton RÉINITIALISER

COMPOSANTS

FIG. 2



A - Lance
B - Pistolet pulvérisateur
C - Poignée
D - Bouton marche/arrêt

E - Sortie fileté
F - Canon à mousse
G - Entrée d'eau
H - Tuyau haute pression

I - Buses
J - Cordon d'alimentation
K - Buse Turbo

COMPRENDRE VOTRE NETTOYEUR HAUTE PRESSION

Voir Figure 2.

Pour réduire le risque de blessure et de défaillance du produit, lisez et comprenez les informations contenues dans ce manuel de l'utilisateur ainsi que les informations sur l'étiquetage du produit.

CANON À MOUSSE

Utilisez le canon à mousse pour générer une mousse épaisse et collante pour briser la graisse, la crasse et les taches.

POIGNÉE

Utilisez la poignée pour transporter l'appareil.

FLEXIBLE HAUTE PRESSION

Le tuyau haute pression inclus avec cet appareil est léger, flexible et durable. Lorsqu'il n'est pas utilisé, le tuyau peut être rangé sur le support de tuyau.

BUSES

Des buses de différentes tailles sont incluses avec cet appareil et peuvent être utilisées pour différentes applications de nettoyage.

BOUTON MARCHE/ARRÊT

Appuyez une fois pour démarrer le nettoyeur haute pression. Appuyez à nouveau pour arrêter le nettoyeur haute pression.

PISTOLET PULVÉRISATEUR

Utilisez le pistolet pulvérisateur et la lance pour contrôler et diriger le jet d'eau.

BUSE TURBO

La buse turbo offre un puissant jet rotatif à 0° qui nettoie de grandes surfaces plus rapidement que les buses standard.

ASSEMBLAGE

⚠ AVERTISSEMENT Ne connectez pas le nettoyeur haute pression à une source d'alimentation tant qu'il n'est pas entièrement assemblé. Pour éviter tout démarrage accidentel et d'éventuelles blessures graves, ne branchez une alimentation électrique que lorsque le nettoyeur haute pression est prêt à l'emploi.

RETRAIT DU CONTENU DU CARTON

⚠ AVERTISSEMENT Ce produit nécessite un assemblage. N'essayez pas de faire fonctionner ce produit si des éléments de la **LISTE INCLUS** sont déjà assemblés lorsque vous retirez le contenu du carton. Ces articles ne sont pas assemblés par le fabricant et doivent être assemblés par le client. L'utilisation d'un produit mal assemblé peut être dangereuse et entraîner des blessures graves.

- Coupez soigneusement les côtés de l'emballage et retirez le contenu du carton.
- Inspectez le contenu du dessin animé. Vérifiez que tous les éléments de la **LISTE INCLUS** sont présents et en bon état.
- Recyclez ou éliminez correctement les matériaux d'emballage

LISTE INCLUSE

Voir la figure 3.

Nettoyeur haute pression, pistolet pulvérisateur, lance, buses (15° et 25°), tuyau haute pression, canon à mousse, buse turbo, guide de démarrage rapide, manuel d'utilisation

Si des pièces manquent, contactez notre équipe de service à service@wpowerreq.com ou appelez le 1-855-944-3571.

RACCORDER LA LANCE AU PISTOLET DE PULVÉRISATION

Voir Figure 4.

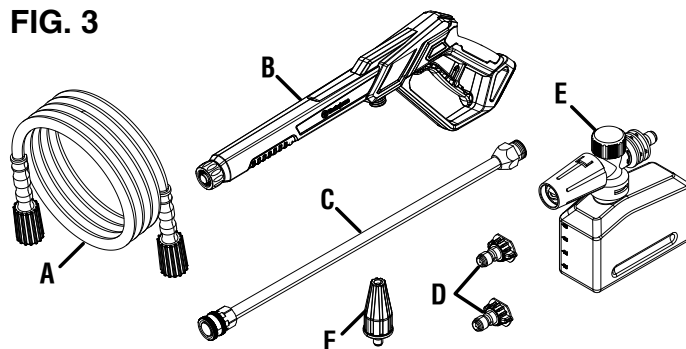
- Poussez la lance dans le pistolet pulvérisateur et tournez dans le sens des aiguilles d'une montre pour serrer. **Ne pas trop serrer.**
- Tirez doucement sur la lance pour vous assurer qu'elle est bien fixée.

RACCORDEMENT DU TUYAU HAUTE PRESSION AU PISTOLET

Voir Figure 5.

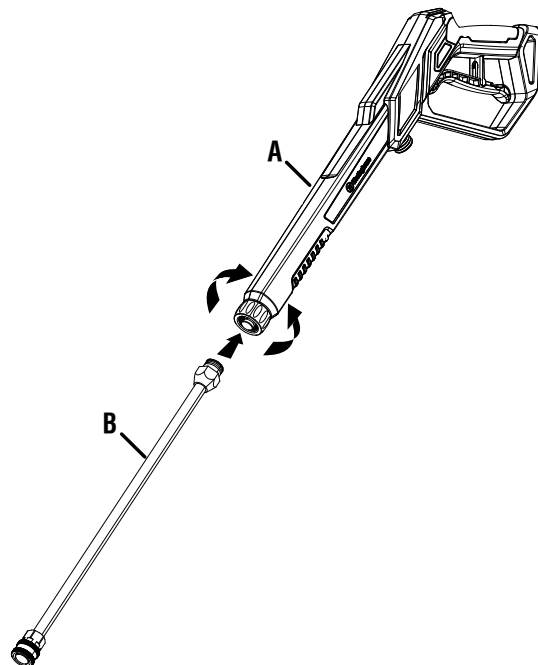
- Tirez le collier du tuyau haute pression vers l'arrière et poussez fermement le raccord du tuyau dans le pistolet pulvérisateur.
 - Visser le collier sur le pistolet et bien serrer.
- NOTE :** Veillez à ne pas endommager les filetages du pistolet pulvérisateur car cela pourrait entraîner une fuite du pistolet pendant l'utilisation.
- Tirez doucement sur le tuyau pour vous assurer qu'il est bien fixé.

FIG. 3



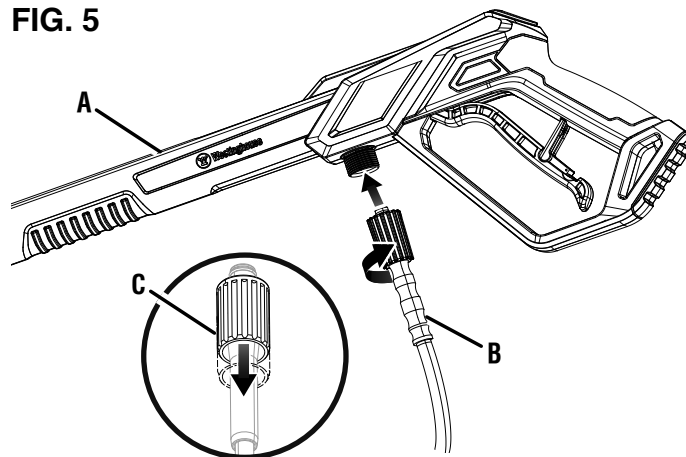
- A - Tuyau haute pression
- B - Pistolet pulvérisateur
- C - Lance
- D - Buses
- E - Canon à mousse
- F - Buse turbo

FIG. 4



- A - Pistolet pulvérisateur
- B - Lance

FIG. 5



- A - Pistolet pulvérisateur
- B - Tuyau haute pression
- C - Collier

ASSEMBLAGE

RACCORDEMENT DU TUYAU HAUTE PRESSION AU NETTOYEUR HAUTE PRESSION

Voir Figure 6.

- Déroulez et redressez le flexible haute pression pour éliminer les coudes ou les plis.
- Tirez le collier du tuyau haute pression vers l'arrière et poussez fermement le raccord du tuyau dans la sortie fileté du nettoyeur haute pression.
- Visser le collier sur la sortie et bien serrer.

NOTE : Veillez à ne pas endommager les filetages de la sortie car cela pourrait entraîner une fuite de l'appareil pendant l'utilisation.

- Tirez doucement sur le tuyau pour vous assurer qu'il est bien fixé.

RACCORDEMENT D'UN TUYAU D'ARROSAGE AU NETTOYEUR HAUTE PRESSION

Voir Figure 7.

AVIS

Suivez les réglementations et ordonnances locales lors du raccordement de votre nettoyeur haute pression à une alimentation en eau. Certaines juridictions peuvent vous interdire de vous connecter directement à l'eau potable publique afin d'éviter la possibilité de retour de produits chimiques dans le système. Les raccordements effectués via un clapet anti-retour ou un réservoir récepteur sont généralement autorisés.

AVIS

L'eau utilisée dans cet appareil doit provenir d'une conduite d'eau principale. **N'UTILISEZ PAS** cet appareil avec de l'eau provenant d'un lac, d'une piscine, d'un étang, etc. **N'UTILISEZ JAMAIS** d'eau chaude avec ce produit.

- Fermez complètement le robinet d'eau.
- Déroulez et redressez le tuyau d'arrosage pour éliminer les coudes ou les plis.
- Faites couler de l'eau dans le tuyau pendant plusieurs secondes pour éliminer les débris, puis fermez à nouveau le robinet.
- Inspectez l'écran à l'intérieur de l'entrée d'eau pour des dommages ou des obstructions. Nettoyer ou remplacer au besoin. Ne branchez JAMAIS un tuyau d'arrosage sans l'écran en place.
- Insérez le tuyau d'arrosage dans l'entrée d'eau.
- Vissez le collier de l'entrée sur le tuyau d'arrosage. Bien serrer.

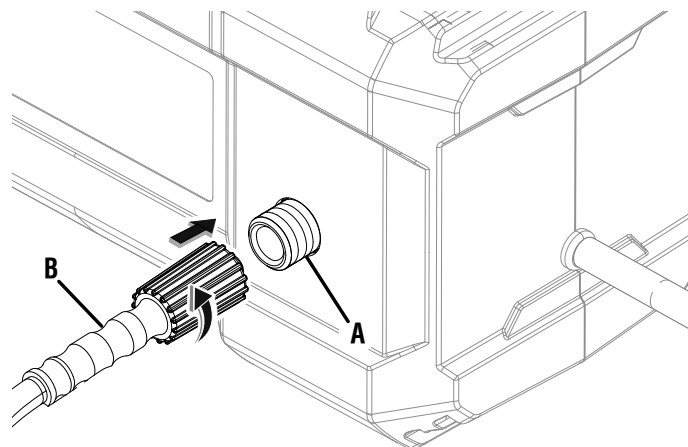
AVIS

Mettez TOUJOURS l'alimentation en eau sur "ON" avant de mettre le nettoyeur haute pression sur "ON". Faire fonctionner la pompe à sec endommagera les composants internes et rendra le nettoyeur haute pression inutilisable.

APERÇU

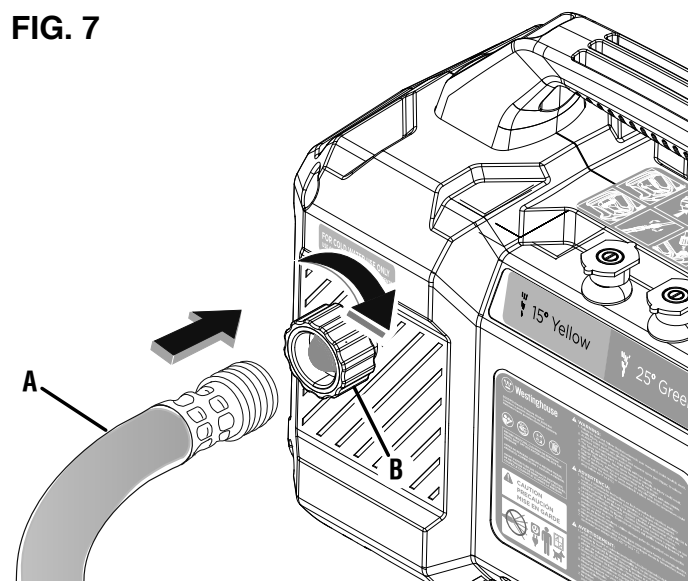
Ce nettoyeur haute pression peut produire des niveaux de pression d'eau très élevés et peut être utilisé pour une variété d'applications de nettoyage telles que le nettoyage des terrasses et des passerelles, le lavage des véhicules et de l'équipement ; et enlever la saleté des extérieurs et des clôtures de la maison.

FIG. 6



A - Sortie fileté
B - Tuyau haute pression

FIG. 7



A - Tuyau d'arrosage
B - Entrée d'eau

FONCTIONNEMENT

⚠ AVERTISSEMENT Ne pas altérer ou modifier ce produit à moins d'indication contraire dans ce manuel ou par le fabricant. N'utilisez pas de pièces jointes ou d'accessoires qui ne sont pas recommandés pour une utilisation avec ce produit. Toute modification non autorisée et l'utilisation d'accessoires incompatibles peuvent endommager l'appareil et annuler votre garantie.

⚠ AVERTISSEMENT Portez **TOUJOURS** des lunettes de protection pour éviter les blessures aux yeux lorsque vous utilisez le nettoyeur haute pression.

⚠ AVERTISSEMENT **NE JAMAIS** pulvériser directement sur une personne, un animal, un appareil électrique ou l'appareil lui-même. Le non-respect de cet avertissement peut entraîner des blessures graves, un choc électrique ou la mort.

DÉMARRAGE ET ARRÊT DU NETTOYEUR HAUTE PRESSION

Voir la figure 8.

- Raccordez un tuyau d'arrosage comme décrit précédemment et ouvrez l'eau.

AVIS

Mettez **TOUJOURS** l'alimentation en eau sur "ON" avant de mettre le nettoyeur haute pression sur "ON". Faire fonctionner la pompe à sec endommagera les composants internes et rendra le nettoyeur haute pression inutilisable.

- Connectez un tuyau d'arrosage et ouvrez l'eau.
- Mettez l'interrupteur marche/arrêt en position **ARRÊT (O)**.
- Déroulez complètement le cordon d'alimentation et branchez-le à une prise de terre de 120 volts.

⚠ AVERTISSEMENT Maintenez toutes les connexions au sec et hors du sol. Ne touchez pas la fiche avec les mains mouillées.

- Tenez le pistolet pulvérisateur à deux mains et pointez la lance dans une direction sûre.
- Relâchez le verrou de sécurité et appuyez sur la gâchette pour libérer l'eau et l'air du tuyau. Continuez à appuyer sur la gâchette jusqu'à ce qu'il y ait un jet d'eau régulier, puis relâchez et verrouillez la gâchette. Reportez-vous à **Utilisation du pistolet pulvérisateur** plus loin dans cette section.

- Mettez le bouton marche/arrêt en position **MARCHE (I)** pour démarrer le nettoyeur haute pression. L'appareil fonctionnera pendant plusieurs secondes et s'éteindra. Il s'agit d'une fonction normale de la fonction de démarrage automatique.

NOTE : L'unité peut être sous pression même si vous n'entendez pas le moteur et la pompe fonctionner. Soyez toujours prudent lorsque vous êtes à proximité d'un nettoyeur haute pression.

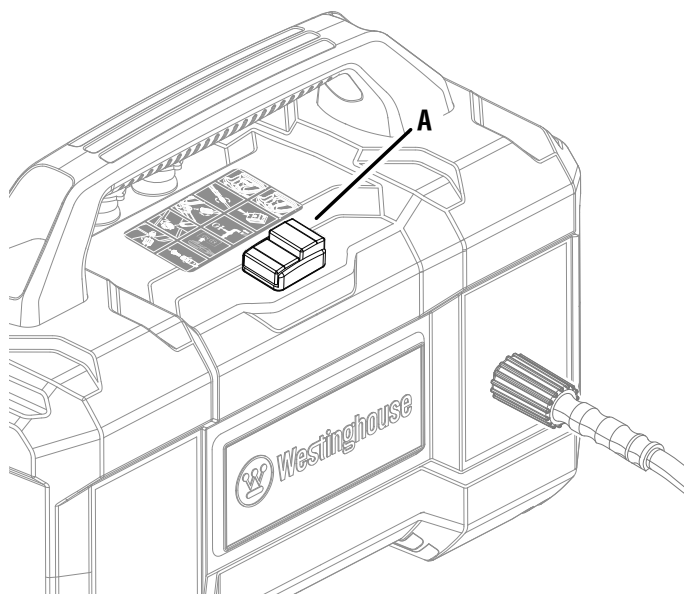
- Mettez l'interrupteur marche/arrêt en position **ARRÊT (O)** pour arrêter le nettoyeur haute pression.
- Lorsque vous arrêtez le nettoyeur haute pression, la pression de l'eau peut rester dans le système. Dirigez le pistolet de pulvérisation dans une direction sûre et appuyez sur la gâchette pour relâcher la pression de l'eau.

UTILISATION DU PISTOLET DE PULVÉRISATION

Voir Figure 9.

⚠ AVERTISSEMENT Tenez le pistolet et la lance à deux mains (une main pour appuyer sur la gâchette et l'autre pour stabiliser le pistolet) jusqu'à ce que vous vous habituiez au "recul". Ne perdez pas le contrôle du pistolet pulvérisateur car vous pourriez vous blesser ou blesser d'autres personnes.

FIG. 8



A - Bouton Marche/Arrêt

FONCTIONNEMENT

- Démarrez le nettoyeur haute pression.
- Libérez le verrou de sécurité en le poussant vers le bas dans la fente de la gâchette.
- Pressez et maintenez la gâchette pour démarrer l'écoulement de l'eau.
- Relâchez la gâchette pour arrêter le débit d'eau.
- Verrouillez la gâchette en la poussant jusqu'à sa position d'origine.


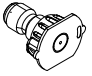
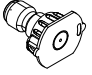
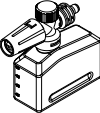
NOTE : Appuyez sur la gâchette pour vous assurer qu'elle est verrouillée et qu'elle ne bougera pas. Gardez TOUJOURS le pistolet pulvérisateur verrouillé lorsqu'il n'est pas utilisé.

INSTALLATION DE BUSES

Voir Figure 10.

⚠ AVERTISSEMENT Éteignez TOUJOURS le nettoyeur haute pression, relâchez la pression dans le pistolet pulvérisateur et verrouillez la gâchette avant de retirer ou d'installer une buse. Ne pointez JAMAIS la lance vers votre visage. Le non-respect de cet avertissement peut entraîner des blessures graves.

- Arrêtez le nettoyeur haute pression et fermez complètement le robinet d'eau.
- Dirigez le pistolet de pulvérisation dans une direction sûre et appuyez sur la gâchette pour relâcher la pression de l'eau.
- Verrouillez la gâchette.
- Poussez la buse dans la lance jusqu'à ce qu'elle s'enclenche et soit sécurisée.
- Pour retirer la buse, tirez le collier vers l'arrière et éloignez la buse de la lance.

BUSE	UTILISATION GENERALE
 Turbo	Haute pression. Utiliser pour nettoyer le béton, enlever les taches tenaces et décaper la peinture. Utiliser avec précaution.
 15°  25°	Pression modérée. Sûr à utiliser sur les patios en briques et pavés.
Canon à mousse	UTILISATION GENERALE
	Basse pression. Sans danger pour les voitures, les fenêtres et les terrasses.

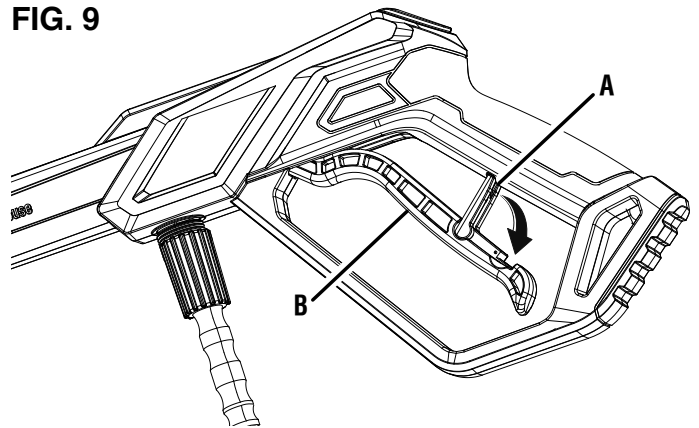
NETTOYAGE AU NETTOYEUR HAUTE PRESSION

Voir les figures 16 et 17.

Pour nettoyer avec un détergent :

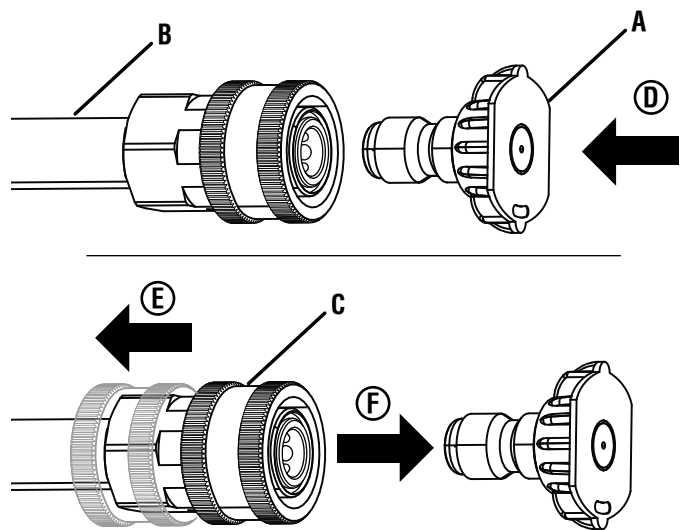
- Arrêtez le nettoyeur haute pression et fermez complètement le robinet d'eau.
- Dirigez le pistolet de pulvérisation dans une direction sûre et appuyez sur la gâchette pour relâcher la pression de l'eau.

FIG. 9



A - Gâchette
B - Verrou de sécurité

FIG. 10



A - Buse
B - Lance
C - Collier
D - Enfoncez la buse
E - Tirer le col vers l'arrière
F - Retirer la buse

FONCTIONNEMENT

- Séparez la bouteille de savon du canon à mousse en la tournant dans le sens inverse des aiguilles d'une montre.
- Remplissez le bouteille de savon avec un rapport détergent/eau correctement formulé, en suivant les instructions du fabricant du détergent.

NOTE : Utilisez des détergents conçus pour les nettoyeurs haute pression. Le détergent doit avoir la consistance de l'eau. **N'UTILISEZ PAS** de détergents épais de type gel.

- Pour réinstaller la bouteille de savon, placez-la sur le canon à mousse et tournez-la dans le sens des aiguilles d'une montre.
- Installez le canon à mousse sur la lance. Le canon à mousse est installé et retiré de la même manière que les buses.
- Ouvrez l'eau et démarrez le nettoyeur haute pression.
- Appuyez sur la gâchette et attendez quelques secondes jusqu'à ce que le détergent apparaisse dans le jet d'eau.
- Commencez à nettoyer au bas de la surface et remontez d'un côté à l'autre. Ne laissez pas le savon sécher sur la surface à nettoyer.
- Relâchez la gâchette pour arrêter le nettoyeur haute pression.
- Laissez le moteur s'arrêter complètement avant d'appuyer à nouveau sur la gâchette.

NOTE : Si vous appuyez rapidement sur la gâchette, la fonction de démarrage automatique manquera un cycle marche/arrêt et pourrait empêcher la laveuse de se mettre en marche. Utilisez des pressions lentes et délibérées sur la gâchette pour éviter cela.

- Lorsque vous avez terminé, retirez l'excès de détergent de la bouteille de savon et remplissez-la d'eau propre. Vaporisez l'eau à travers le canon à mousse pour rincer le système.

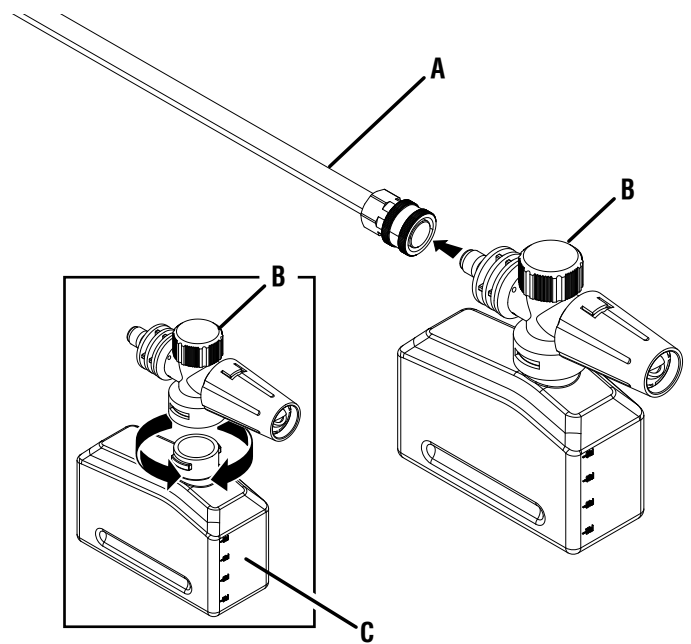
Pour nettoyer sans détergent :

- Arrêtez le nettoyeur haute pression et fermez complètement le robinet d'eau.
- Dirigez le pistolet de pulvérisation dans une direction sûre et appuyez sur la gâchette pour relâcher la pression de l'eau.
- S'il est installé, retirez le canon à mousse.
- Installez une buse appropriée pour la tâche que vous effectuez.
- Ouvrez l'eau et démarrez le nettoyeur haute pression.
- Relâchez le verrou de sécurité et commencez le lavage sous pression en appuyant à fond sur la gâchette dans la poignée.

NOTE : Testez toujours dans une petite zone peu visible pour éviter ou réduire les dommages.

- Commencez à nettoyer au bas de la surface et remontez d'un côté à l'autre.

FIG. 11



- A - Lance
- B - Canon à mousse
- C - Bouteille de savon

FIG. 12

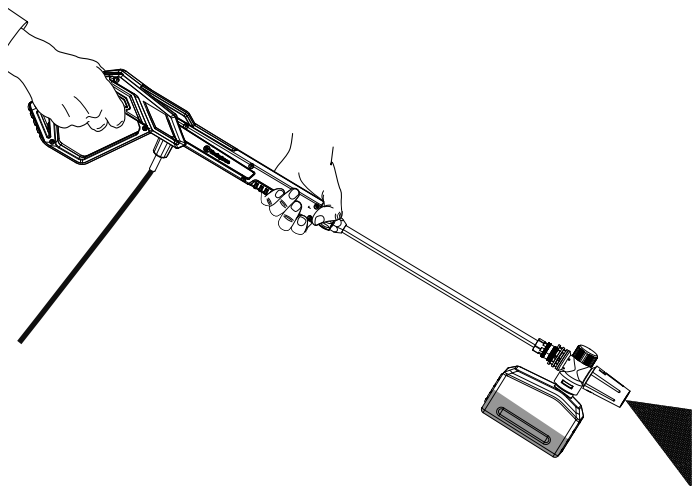


FIG. 13



FONCTIONNEMENT

CONSEILS D'UTILISATION

- Il est normal d'entendre le moteur tourner par intermittence lorsque la gâchette n'est pas pressée. La pompe s'amorce pour fonctionner lorsque la gâchette est à nouveau enfoncée.
- Pour éviter d'endommager les surfaces :
 - Utilisez toujours une buse appropriée
 - Réduisez la pression de l'eau en ajustant l'angle du jet ou en augmentant la distance entre la buse et la surface.
- Vaporisez toujours le détergent sur une surface sèche. Ne pré-trempez pas la surface. Mouiller d'abord la surface dilue le détergent et réduit sa capacité de nettoyage.

- Pour les taches tenaces, il peut être nécessaire de réappliquer le détergent et d'utiliser une brosse à poils pour frotter la tache.
- Gardez un outil de nettoyage des buses à proximité pour déboucher les buses.
- Les joints toriques du flexible haute pression doivent être nettoyés régulièrement et lubrifiés avec de la graisse non soluble dans l'eau telle que de la vaseline.
- Éteignez le nettoyeur haute pression après cinq minutes d'inactivité.

ENTRETIEN ET MAINTENANCE

⚠ AVERTISSEMENT Éteignez TOUJOURS le nettoyeur haute pression, relâchez la pression dans le pistolet pulvérisateur et débranchez le nettoyeur haute pression avant d'effectuer l'entretien.

⚠ AVERTISSEMENT Remplacez les articles endommagés ou usés par des pièces de rechange recommandées ou équivalentes. L'utilisation d'une pièce incorrecte ou incompatible peut créer un danger pouvant entraîner des blessures graves.

AVIS Vérifiez l'état physique du produit avant chaque utilisation. Recherchez les boulons desserrés, les fuites de liquide et autres signes d'usure. Remplacez tous les éléments endommagés. Pour des pièces de rechange ou de l'assistance, contactez notre service client.

Pour prolonger la durée de vie de ce produit, suivez les instructions d'entretien et de maintenance de cette section. Contactez le service client avant d'intervenir sur tout rappel ou pièce sous garantie.

NETTOYAGE DU NETTOYEUR HAUTE PRESSION

Ne stockez pas et n'utilisez pas votre nettoyeur haute pression dans des environnements sales, poussiéreux ou corrosifs. Ne laissez pas de corps étrangers et de débris obstruer les événements de l'appareil. NE JAMAIS nettoyer le nettoyeur haute pression avec un tuyau d'arrosage. L'eau peut endommager les composants électriques du nettoyeur haute pression. Si l'appareil doit être nettoyé, utilisez une brosse douce et un chiffon humide pour nettoyer l'extérieur et utilisez de l'air à basse pression (pas plus de 25 psi) pour nettoyer les événements.

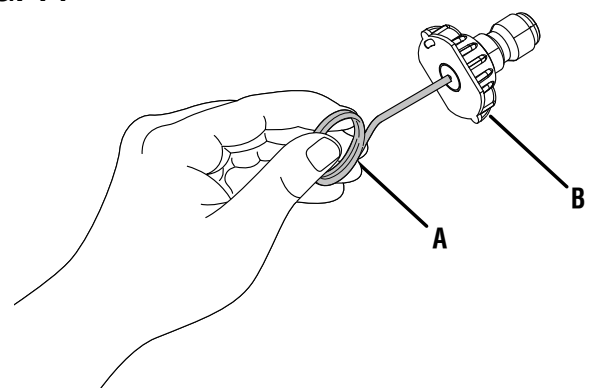
N'utilisez jamais d'essence comme agent de nettoyage.

NETTOYAGE DES BUSES

Voir Figure 14.

- Arrêtez le nettoyeur haute pression et fermez complètement le robinet d'eau.
- Relâchez la pression dans le pistolet pulvérisateur et débranchez le nettoyeur haute pression.
- Retirez la buse du pistolet pulvérisateur.
- Utilisez un outil de nettoyage de buse ou une aiguille fine pour nettoyer les débris de l'intérieur de la buse.
- À l'aide d'un tuyau d'arrosage, rincez l'eau à travers la buse.
- Lorsque la buse est propre, remplacez-la sur la lance ou dans la zone de stockage de la buse.

FIG. 14



A - Outil de nettoyage de buse
B - Buse

ENTRETIEN ET MAINTENANCE

NETTOYAGE DES ÉCRANS D'ENTRÉE D'EAU

Voir Figure 15.

Les écrans à l'intérieur de l'entrée d'eau doivent être nettoyés périodiquement. Retirez les grilles, rincez-les à l'eau claire et remettez-les dans l'entrée.

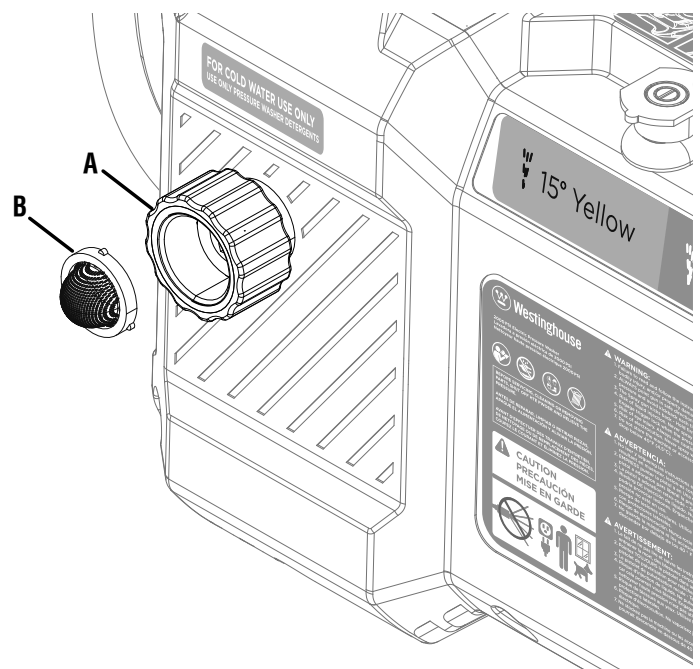
RANGEMENT

Voir Figure 16.

NOTE : Utilisez des protecteurs de pompe disponibles dans le commerce pour prolonger la durée de vie de la pompe. Suivez les instructions d'utilisation du fabricant.

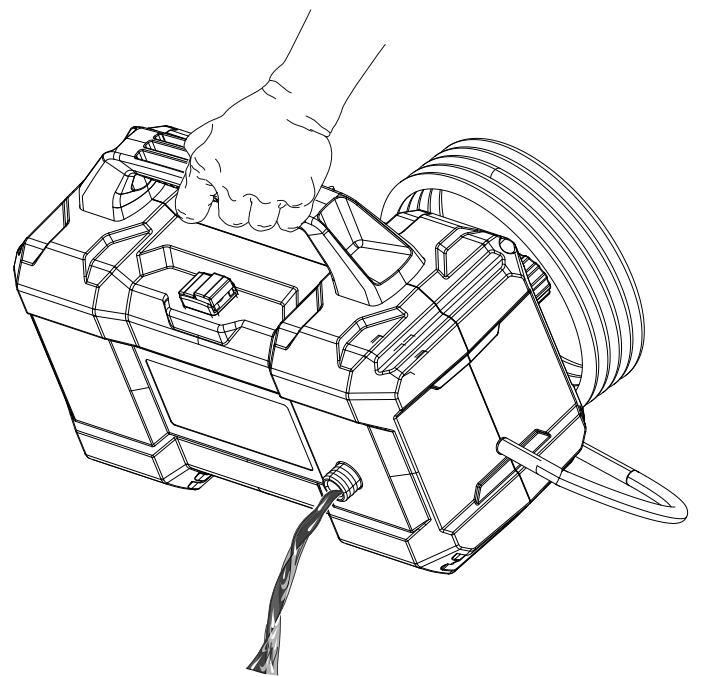
- Relâchez la pression dans le pistolet pulvérisateur et débranchez le nettoyeur haute pression. Enroulez le cordon autour du dispositif de retenue du cordon.
- Débranchez le tuyau d'arrosage et le tuyau haute pression.
- Inclinez le nettoyeur haute pression pour permettre à l'excès d'eau de s'écouler de la sortie filetée.
- Retirez toutes les buses et placez-les dans la zone de stockage des buses.
- Démontez le pistolet pulvérisateur et la lance
- Rangez le nettoyeur haute pression et accessoires dans un endroit sec et couvert à l'abri de la chaleur extrême qui pourrait assécher les joints de la pompe et du froid extrême qui pourrait causer des dommages par le gel.

FIG. 15



A - Entrée d'eau
B - Écran

FIG. 16



ENTRETIEN ET MAINTENANCE

Les pièces de maintenance peuvent être achetées directement à l'usine. Une liste partielle des pièces de maintenance est ci-dessous. Pour une liste complète des pièces de maintenance ou pour des informations supplémentaires, écrivez-nous à service@wpowereq.com ou composez le **1-855-944-3571**.

Filtre d'entrée.....	04000182-0
Canon à mousse	02000510-0
Buse turbo	02000313-0
Buse 15°	03000260-0
Buse 25°	03000270-0

⚠️ AVERTISSEMENT N'utilisez pas de pièces jointes ou d'accessoires qui ne sont pas recommandés pour une utilisation avec ce produit. Toute modification non autorisée et l'utilisation d'accessoires incompatibles peuvent endommager l'appareil et annuler votre garantie.

DÉPANNAGE

PROBLÈME	CAUSE POSSIBLE	CORRECTION
L'unité ne s'allume pas.	Le nettoyeur haute pression n'est pas connecté à une source d'alimentation ou la source d'alimentation n'est pas mise à la terre	Branchez le cordon d'alimentation sur une prise de 120 volts mise à la terre
	La pression de l'eau est dans le tuyau	Appuyez sur la gâchette pour relâcher la pression de l'eau.
	GFCI est déclenché	Appuyez sur le bouton RESET du cordon d'alimentation
	Moteur ou cordon d'alimentation défectueux.	Contactez le service client Westinghouse sans frais au 1 (855) 944-3571.
L'unité fonctionne mais il n'y a pas de débit d'eau.	Mauvaise source d'eau	Connectez le nettoyeur haute pression à une conduite d'eau. N'utilisez pas cet appareil avec de l'eau provenant d'un lac, d'une piscine, d'un étang, etc.
	Buse bouchée	Nettoyer la buse
	Lance de pulvérisation défectueuse	Remplacer la lance
L'eau fuit là où le tuyau se connecte au pistolet de pulvérisation.	Joint torique défectueux ou manquant entre le tuyau haute pression et le pistolet de pulvérisation.	Remplacez le joint torique.
Le nettoyeur haute pression s'allume pendant 2 secondes, s'éteint et ne se rallume pas.	La fonction de démarrage automatique éteint l'appareil.	Lorsque le nettoyeur haute pression est allumé, le moteur peut fonctionner pendant 1 à 2 secondes pour amorcer la pompe. Ensuite, il s'éteindra automatiquement jusqu'à ce que la gâchette du pistolet de pulvérisation soit pressée. Ceci est normal et n'indique pas un problème.

GARANTIE

APPAREIL ÉLECTRIQUE EXTÉRIEUR WESTINGHOUSE GARANTIE LIMITÉE DE TROIS ANS

RESPONSABILITÉ DE WESTINGHOUSE OUTDOOR POWER EQUIPMENT

Westinghouse Outdoor Power Equipment LLC («Westinghouse») garantit à l'acheteur initial que sa gamme de nettoyeurs haute pression électriques Westinghouse sera exempte de tout défaut de matériel et de fabrication. Dans des conditions normales d'utilisation et d'entretien à compter de la date d'achat, Westinghouse accepte de réparer ou de remplacer, à sa seule discrétion, tout produit défectueux sans frais auprès de tout revendeur agréé Westinghouse dans les applications, délais, limitations et exclusions indiqués ci-dessous. **CETTE GARANTIE LIMITÉE S'ÉTEND À L'ACHETEUR D'ORIGINE UNIQUEMENT ET NE PEUT ÊTRE TRANSFÉRABLE AUX PROPRIÉTAIRES SUBSÉQUENTS, SAUF LES PIÈCES LIÉES À L'ÉMISSION.** Pour obtenir la liste des revendeurs avec service après-vente Westinghouse, visitez le site Web www.wpowereq.com ou appelez au 1-855-944-3571.

RESPONSABILITÉ DU PROPRIÉTAIRE

Pour garantir une couverture de garantie sans problème, il est important que vous enregistriez votre nettoyeur haute pression électrique Westinghouse en ligne à l'adresse www.wpowereq.com, par téléphone automatisé au 1-855-944-3571 ou en remplissant et en retournant l'enregistrement de la garantie. carte fournie avec votre nettoyeur haute pression. L'enregistrement de votre produit confirme la couverture de votre garantie et fournit un lien direct entre vous et Westinghouse s'il s'avère nécessaire de vous contacter.

Votre reçu d'achat, y compris la date, le modèle et le numéro de série, doit être conservé et présenté au service clientèle de Westinghouse afin d'obtenir le service de garantie. La preuve d'achat repose uniquement sur vous, l'acheteur d'origine. Vous devez faire preuve d'une prudence et d'une utilisation raisonnables et respecter les consignes de maintenance préventive et d'entreposage prescrites dans le manuel de l'utilisateur de votre appareil Westinghouse. Si un problème survient avec un produit, vous devez, à vos frais, livrer ou expédier votre appareil Westinghouse à un centre de réparation agréé pour des réparations sous garantie (qui doivent avoir lieu pendant la période de garantie applicable), et organiser le ramassage ou le retour de votre appareil après les réparations ont été faites. Si la preuve d'achat n'est pas disponible pour établir la date d'achat, ni le produit n'est enregistré comme décrit dans les présentes, la date de fabrication telle qu'elle a été enregistrée

Pour trouver le revendeur agréé Westinghouse le plus proche de chez vous, appelez le service clientèle de Westinghouse au 1-855-944-3571 ou visitez la page «Trouver un revendeur» sur www.wpowereq.com Si vous avez besoin d'aide ou si vous avez des questions à propos de Westinghouse Déclaration de garantie, vous pouvez nous contacter en ligne sur www.wpowereq.com ou en appelant au 1-855-944-3571.

APPLICATIONS DE GARANTIE DE PRODUIT ET PÉRIODES DE GARANTIE DE PRODUIT

APPLICATION DES CONSOMMATEURS

Aux fins de la présente garantie limitée, "Application client" désigne une utilisation par l'acheteur d'origine à des fins domestiques, résidentielles ou récréatives. Pour ceux qui utilisent ce produit pour une application grand public, les conditions de garantie suivantes s'appliquent:

Les pièces et la main-d'œuvre seront entièrement couvertes pendant une période d'un an à compter de la date d'achat.

Les pièces seulement seront entièrement couvertes pendant une période de deux ans à compter de la date d'achat.

À la seule discrétion de Westinghouse, certains remplaçants seront entièrement couverts pour une période de trois ans à compter de la date d'achat.

APPLICATION COMMERCIALE

Aux fins de la présente garantie limitée, le terme «application commerciale» désigne l'utilisation par l'acheteur d'origine à des fins commerciales, génératrice de revenus. Une fois qu'un nettoyeur haute pression électrique Westinghouse a été utilisé à des fins commerciales et générant un revenu, il est ensuite considéré comme un produit utilisé pour une «application commerciale» et les conditions de garantie suivantes s'appliquent:

Les pièces et la main-d'œuvre seront entièrement couvertes pendant une période de 90 jours à compter de la date d'achat.

EXCLUSIONS

Les articles suivants sont exclus de la couverture de la garantie:

- Utilisation de pièces de rechange autres que celles de Westinghouse, sauf autorisation écrite de Westinghouse
- Frais d'entretien courant / normal
- Réparations ou diagnostics effectués par un centre de réparation non autorisé, sauf autorisation écrite de Westinghouse
- Défaillances du produit dues à l'usure normale, à un accident, à une mauvaise utilisation, à un abus, à une négligence ou à une utilisation inappropriée
- Défaillances du produit dues à une cause externe, incluant sans s'y limiter: collision, vol, vandalisme, émeute, guerre, incendie, gel, foudre, tremblement de terre, tempête de vent, grêle, dégât des eaux, dégât de tornade, dégât de rongeurs / ravageurs, ou dommages causés par un ouragan
- Produits modifiés ou altérés d'une manière non autorisée par écrit par Westinghouse
- Tout dommage accidentel, consécutif ou indirect causé par un défaut de matériau ou de fabrication
- Tout dommage accidentel, consécutif ou indirect causé par un retard dans la réparation ou le remplacement de la ou des pièces défectueuses
- Défaillance du produit due à une mauvaise application
- Téléphone, téléphone cellulaire, télécopieur, Internet ou toute autre dépense liée aux communications \
- Dépenses liées aux «instructions du client» ou au dépannage en l'absence de défaut de fabrication
- Frais de transport de nuit ou frais de port spéciaux pour les pièces de rechange
- Coûts des heures supplémentaires, des vacances ou de la main-d'œuvre d'urgence

LIMITATION DE GARANTIES IMPLICITES

Cette garantie limitée remplace toutes les autres garanties explicites ou implicites, y compris toute garantie D'APTITUDE À UN USAGE PARTICULIER, ET TOUTE GARANTIE IMPLICITE DE QUALITÉ MARCHANDE, par ailleurs applicable à la gamme de nettoyeurs haute pression de Westinghouse et à ses sociétés affiliées, ne peut être tenue responsable. dommages spéciaux, accessoires ou consécutifs, y compris perte de profits. Il n'y a aucune garantie étendue autre que celle fournie aux présentes. Cette garantie limitée ne peut être modifiée que par Westinghouse Outdoor Power Equipment LLC. Toute garantie implicite permise par la loi sera limitée dans le temps aux termes de la garantie explicite fournie dans les présentes. Certains états n'autorisant pas l'exclusion ou la limitation des dommages accessoires ou indirects, la limitation ci-dessus peut ne pas s'appliquer à vous. Cette garantie vous confère des droits légaux spécifique. Vous avez également d'autres droits d'un État à l'autre. **LA SEULE RESPONSABILITÉ DE WESTINGHOUSE OUTDOOR POWER EQUIPMENT LLC EST C'EST LA RÉPARATION OU LE REMPLACEMENT TELLE QUE PRÉCÉDENTE. WESTINGHOUSE NE PEUT EN AUCUN CAS ÊTRE TENU RESPONSABLE DE DOMMAGES ACCESSOIRES OU INDIRECTS, MÊME SI CES DOMMAGES RÉSULTENT DIRECTEMENT DE NEGLIGENCE DE MWE INVESTMENTS.** Certains états n'autorisant pas l'exclusion ou la limitation des dommages accessoires ou indirects, la limitation ci-dessus peut ne pas s'appliquer à vous.

Cette garantie limitée est offerte par Westinghouse Outdoor Power Equipment LLC (777, promenade du parc Manor, Columbus, OH 43228).



www.WestinghouseOutdoorPower.com

Service Hotline: (855) 944-3571

**777 Manor Park Drive
Columbus, OH 43228**

® and Westinghouse are trademarks of Westinghouse Electric Corporation.
Used under license by MWE Investments, LLC.

© 2022 MWE Investments, LLC All Rights Reserved.