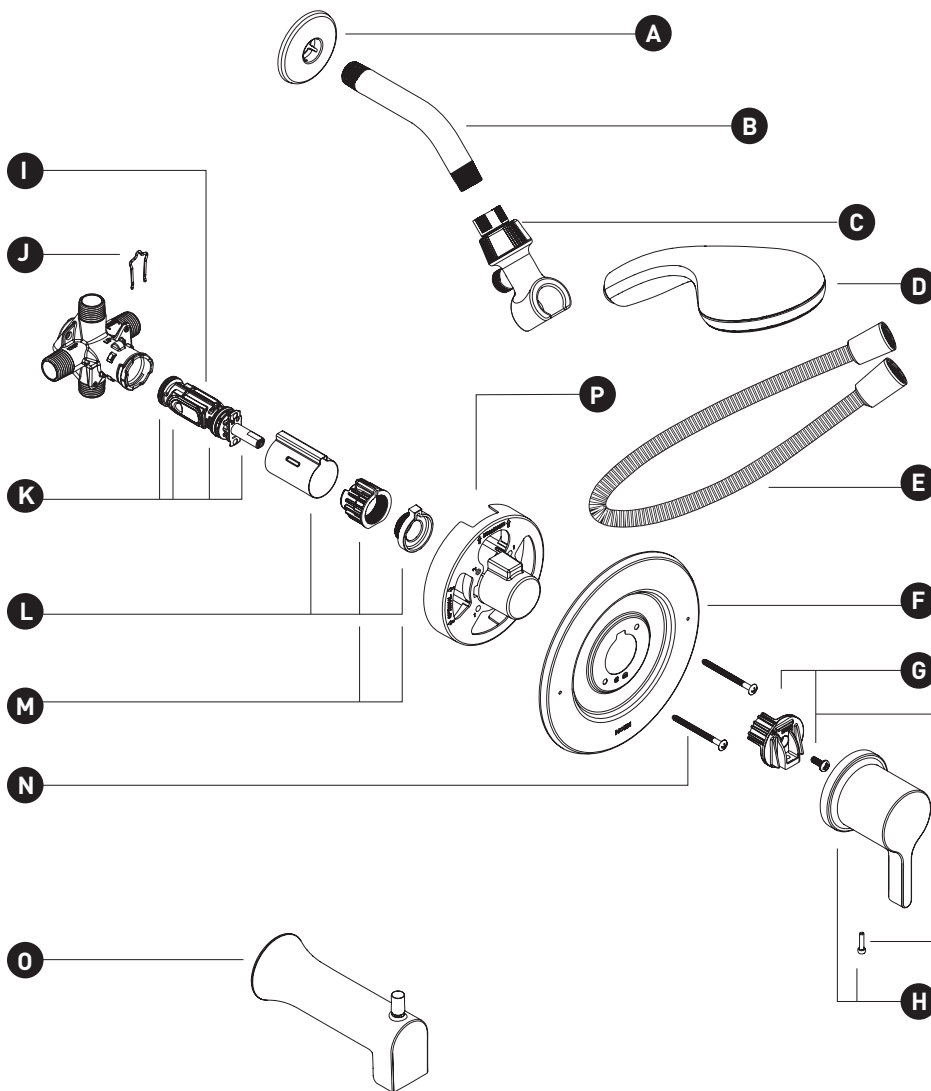
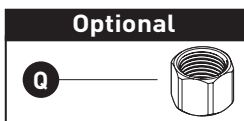


### Beric™ Single-Handle Tub/Shower Valve with Handshower 82775 Series

ORDER BY PART NUMBER



ID	Kit Number	Finish
*A	137488	See below
*B	10154	See below
*C	182102	See below
*D	170188	See below
E	170930	Chrome
	202510BL	Matte Black
	202510BZG	Bronzed Gold
	170930SRN	Spot Resist Brushed Nickel
*F	174333	See below
G	116653	N/A
*H	184597	See below
I	1222	N/A
J	96914	N/A
K	96988	N/A
L	96987	(Used for Chrome & Spot Resist Brushed Nickel)
	96987WR	(Used for Matte Black)
	96987BZG	Bronzed Gold
M	106479	N/A
N	15528	Chrome
	163WR	(Used for Matte Black)
	163BZG	Bronzed Gold
	163BN	(Used for Spot Resist Brushed Nickel)
*O	187097	See below
P	12574	N/A
Q	188411	N/A



*Finish Determined by Suffix	
Finish	Description
No Suffix	Chrome
BL	Matte Black
BZG	Bronzed Gold
SRN	Spot Resist Brushed Nickel