





















# Assembly Instructions

Caution: You must read this before you proceed

## Care & Maintenance

 	● Not for commercial use. For residential use only.
 	● Do not put hot items directly on furniture surface.
 	● Do not clean furniture with harsh cleansers or polish.
 	● Do not place furniture under direct sunlight.
 	● Do not place furniture near heating or cooling vents.
 	● Do not write on furniture without a padded barrier to protect the surface.
 	● Do not place furniture outside . For indoor use only.
 	● Stains may be removed with mild soap solution and damp cloth.
 	● Children should not climb or jump on the furniture.
 	● Dust and pick-up spills using a clean, non-colored, lint-free cloth.

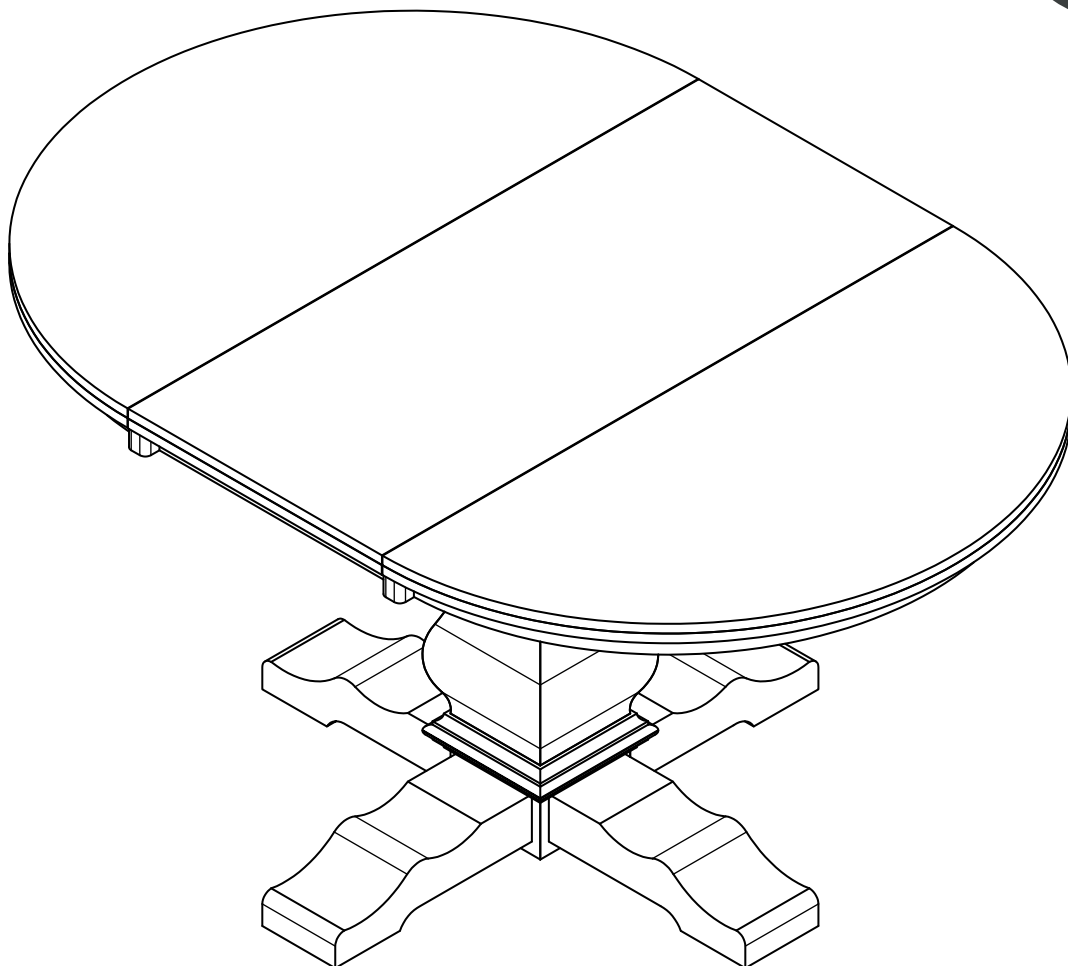
# Assembly Instructions

Please look in the Table Top for hardware packs and legs

Please look in Box 1 /2 for hardware packs

## Dining Table

Item No: N771P355872 & N771P355873



**Caution:** This Table is NOT a TOY.  
Keep your child / children at bay during the assembly process.  
Whenever lifting or moving the and to prevent damage to the Table,  
two adults may be needed to execute these actions.

# Assembly Instructions

## Dining Table

Item No: N771P355872 & N771P355873

### Part List

**Box 1/2 - N771P355872**

A

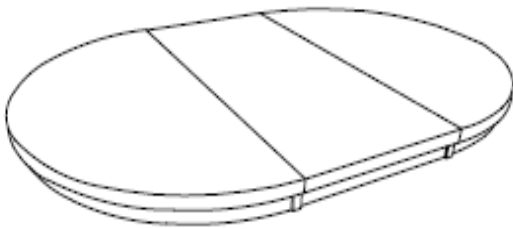


Table Top = 1pc

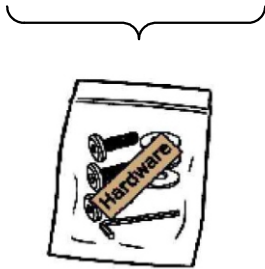
**Box 2/2- N771P355873**

B

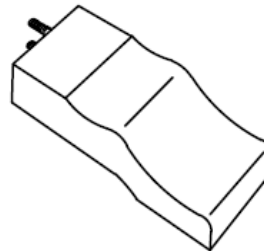


Pedestal = 1pc

HARDWARE



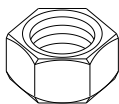
C



Base Legs = 4pcs

### Hardware List

①



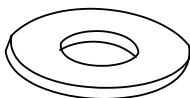
Hexnut 5/16" x 18mm =12pcs + extra 1pc

②



5/16" x 16 x 2mm Spring Washer=12pcs +extra 1pc

③



5/16" x 19 x 2mm Flat Washer =12pcs + extra 1pc

④



Spanner K13 =1 pc+ extra 1pc

# Assembly Preparation

Before Beginning Assembly:

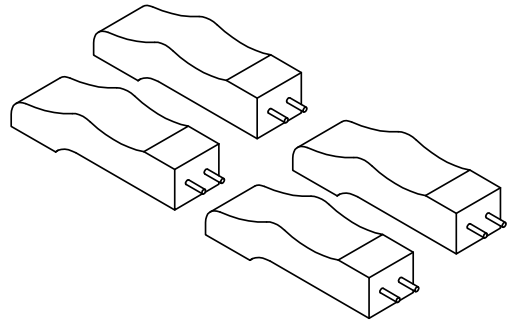
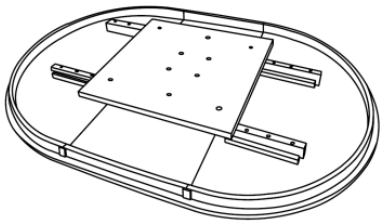
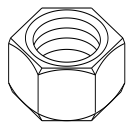
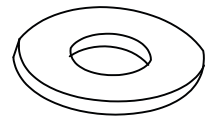


Table Top = 1pc    Pedestal = 1pc    Base Legs = 4pcs

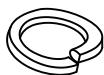
① X 13



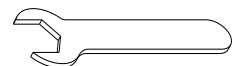
③ X 13



② X 13



④ X 2



- Read instructions, cover to cover-



- Have 2 adults on hand for assembly-



- Do not assemble on flooring or carpet-



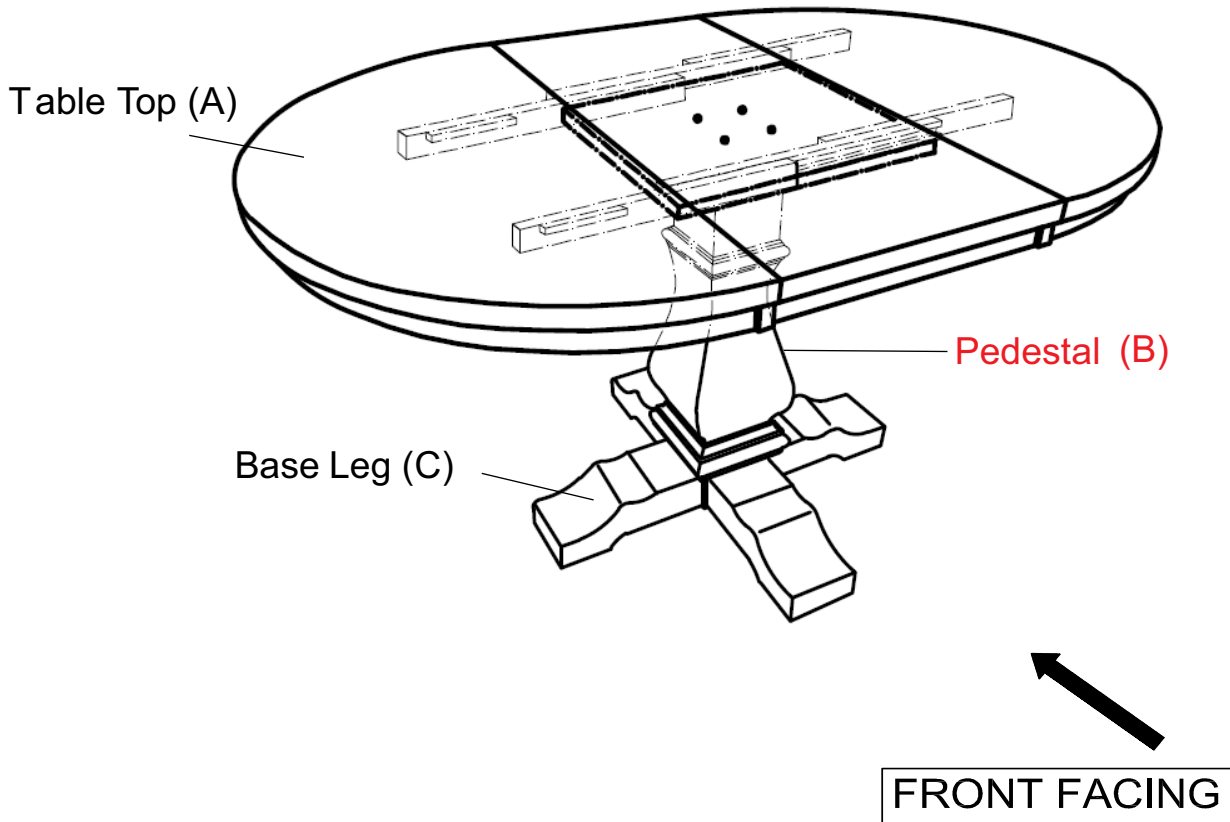
- Assemble on a clean non-marring surface (packing foam)-



- Save all packaging until finished-

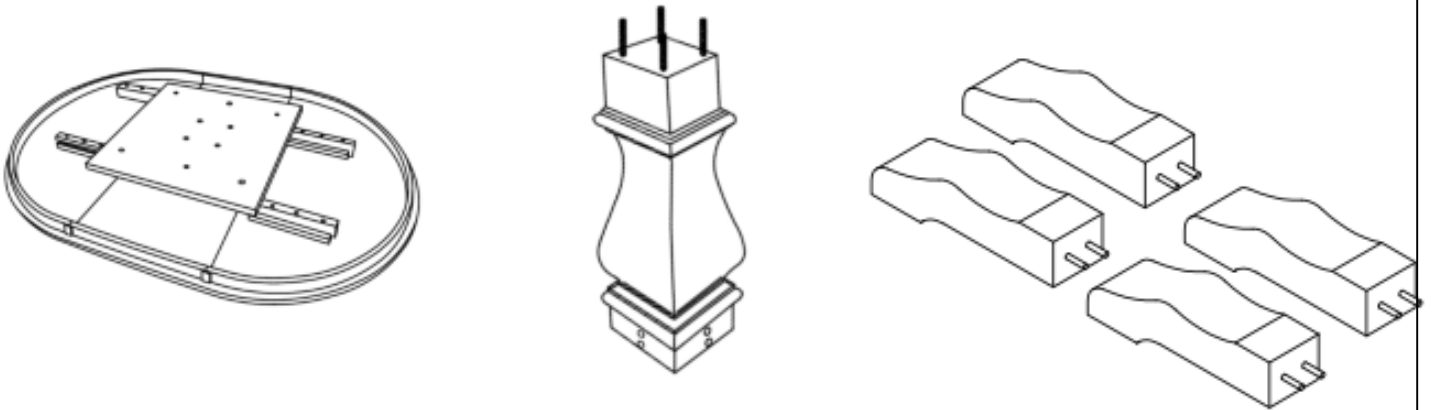
# Assembly Steps

## Overview



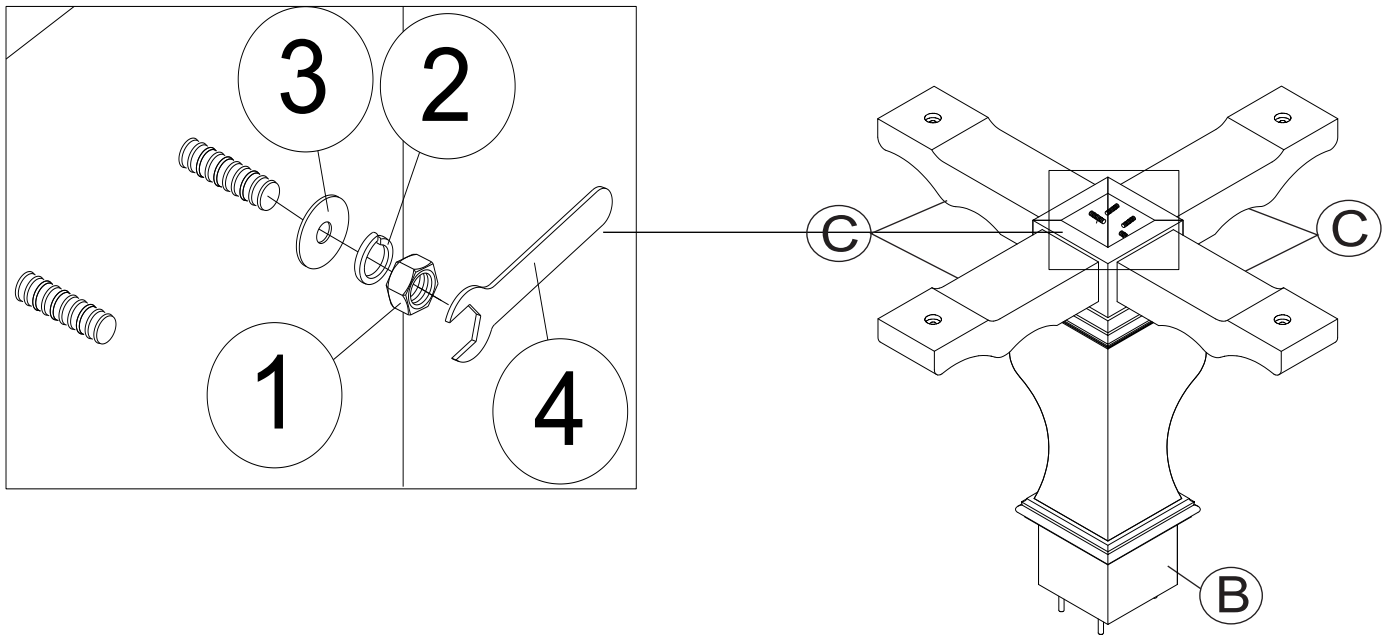
This Dining Table has multiple parts and may require up to 40 minutes to assemble. To give you an overview of the Dining Table parts, the above picture is to help you put the various parts into perspective. Please read through the instructions herebelow to familiarise the parts and steps before assembly.

## Step 1



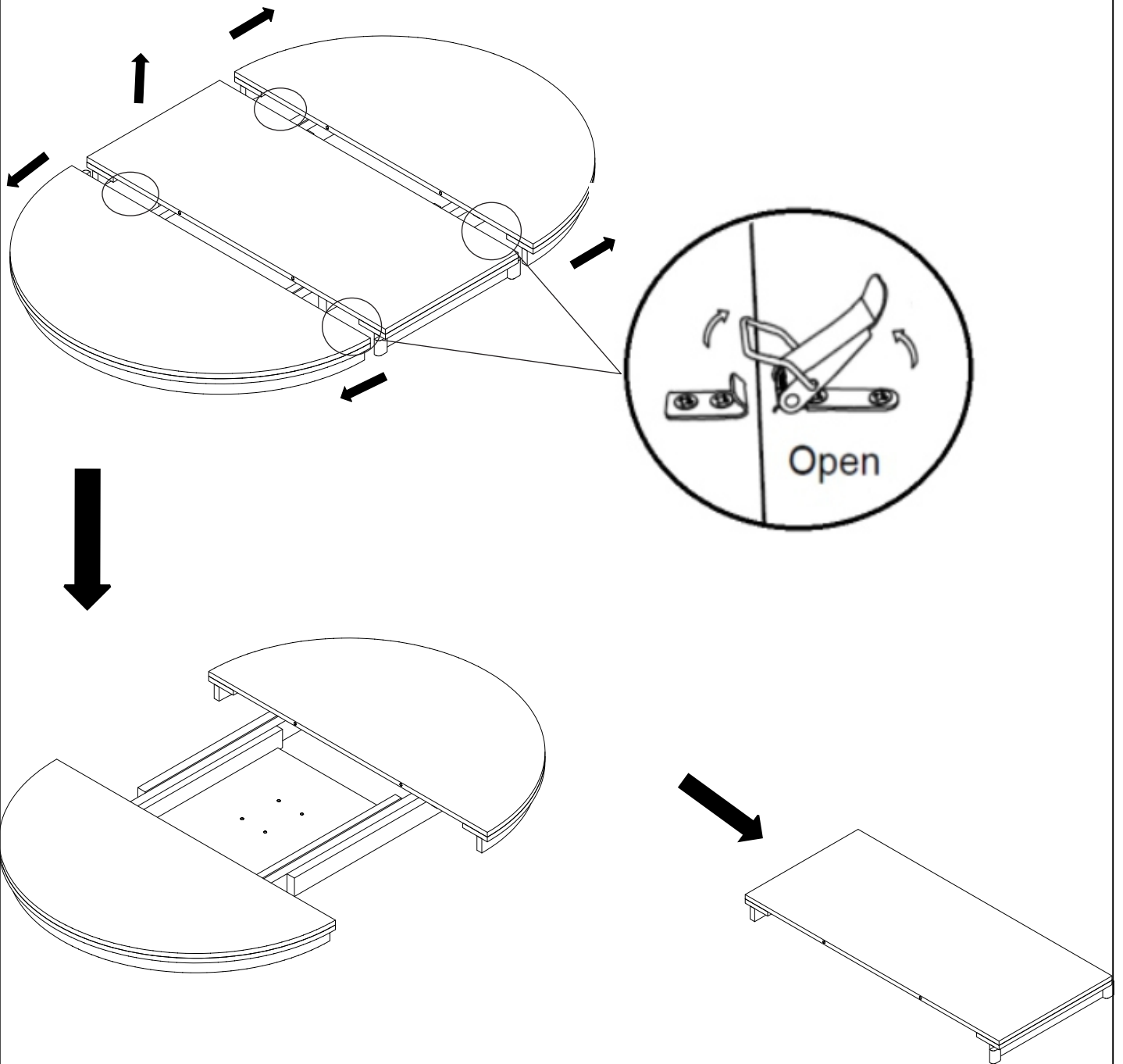
Unpack and place all parts on a clean, non-marring surface.

## Step 2



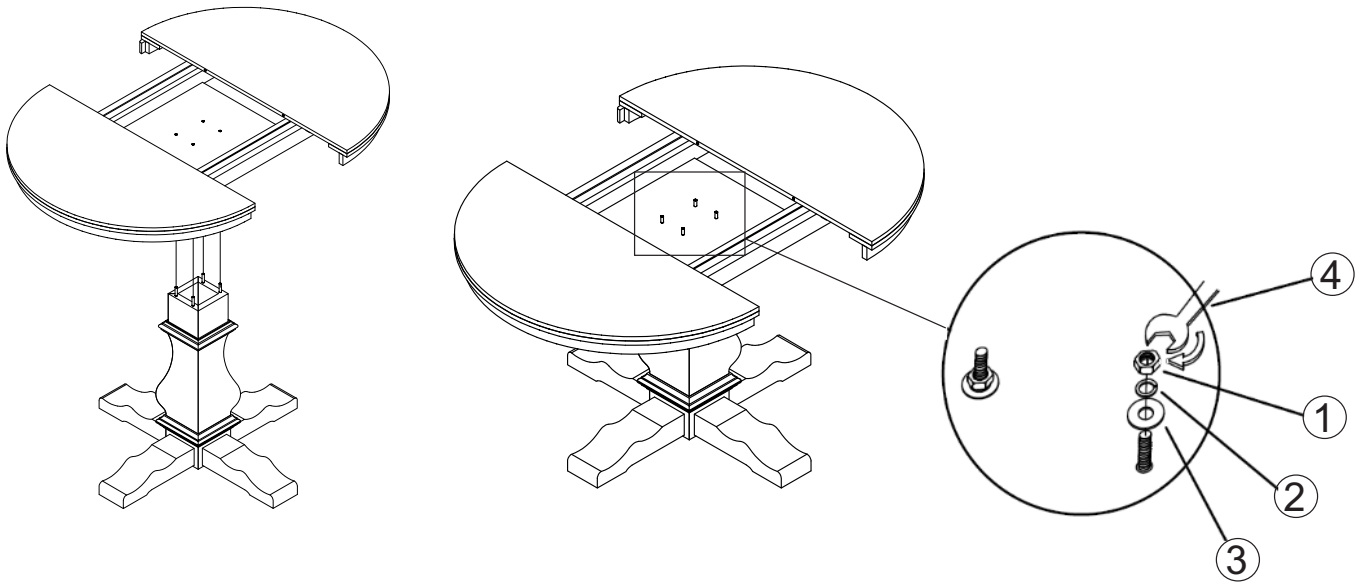
Place the Pedestal (B) and the Base Leg (C) on a carpeted surface. Attach the Table Leg (C) to the Pedestal (B) by inserting the Hex Nuts 5/16"x 18MM (1), Spring Washers 5/16" (2) and Flat Washers 5/16" (3). Tighten with the Spanner K13 (4) as shown in the picture. Please assemble the Nut with the lower bolt first then the upper bolt.  
**FULLY TIGHTEN ALL THE NUTS.**

### Step 3



Next, unlock all the latches underneath the table top, then pull the table top apart from both ends and take the middle part of the table top out.

## Step 4

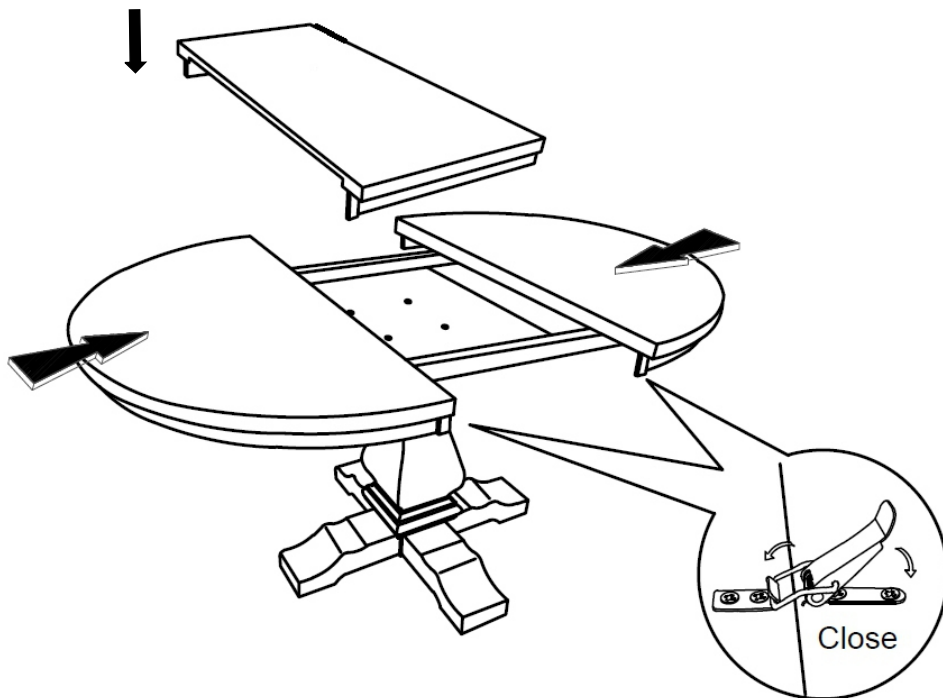


After the extension leaf has been removed from the table top, place the main Table Top onto the base and secure it by the Hex Nuts 5/16"x 18MM (①), Spring Washers 5/16" (②), and **Flat Washers (③)**.

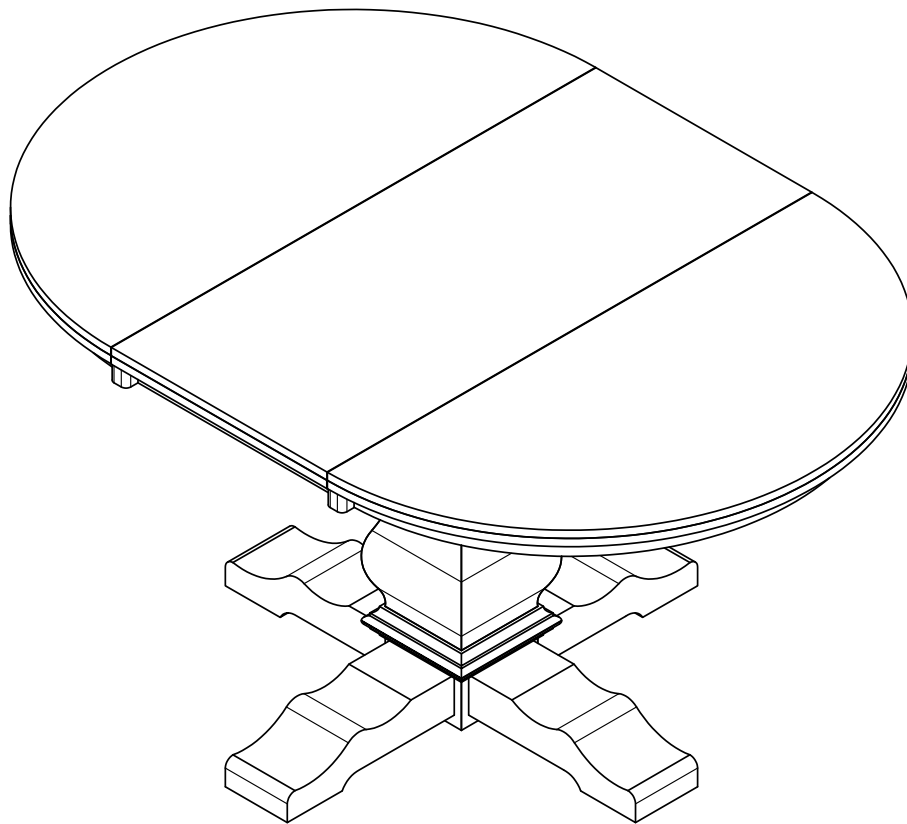
Tighten them with the Spanner K13 (④)

**FULLY TIGHTEN ALL THE NUTS.**

## Step 5



Put in the leaf. Close the Table Top ( A ) tightly and lock all latches underneath the Table Top ( A ).



Turn the Table upright carefully with assistance from your adult partners  
Exert pressure floorwards, onto the Table with both your hands.  
This pressure will help the Legs and Table Top reach full alignment status.  
Check for wobbles on a LEVEL surface.

If no wobbles are found proceed to tighten the Bolts in a sequential  
manner, until evenly secured.

**When tightening the Bolts tighten sequentially.**

**Do not tighten any Bolt fully and then move on towards the next one.  
If there are still wobbles, loosen the Bolts and execute the same above  
process.**

**If the Table is not Stable it could lead to damage to the product.**

Inspect Table and make sure all parts are adequately connected.

Your Table is ready for use.

**This Table can only be used on a flat, level surface.**