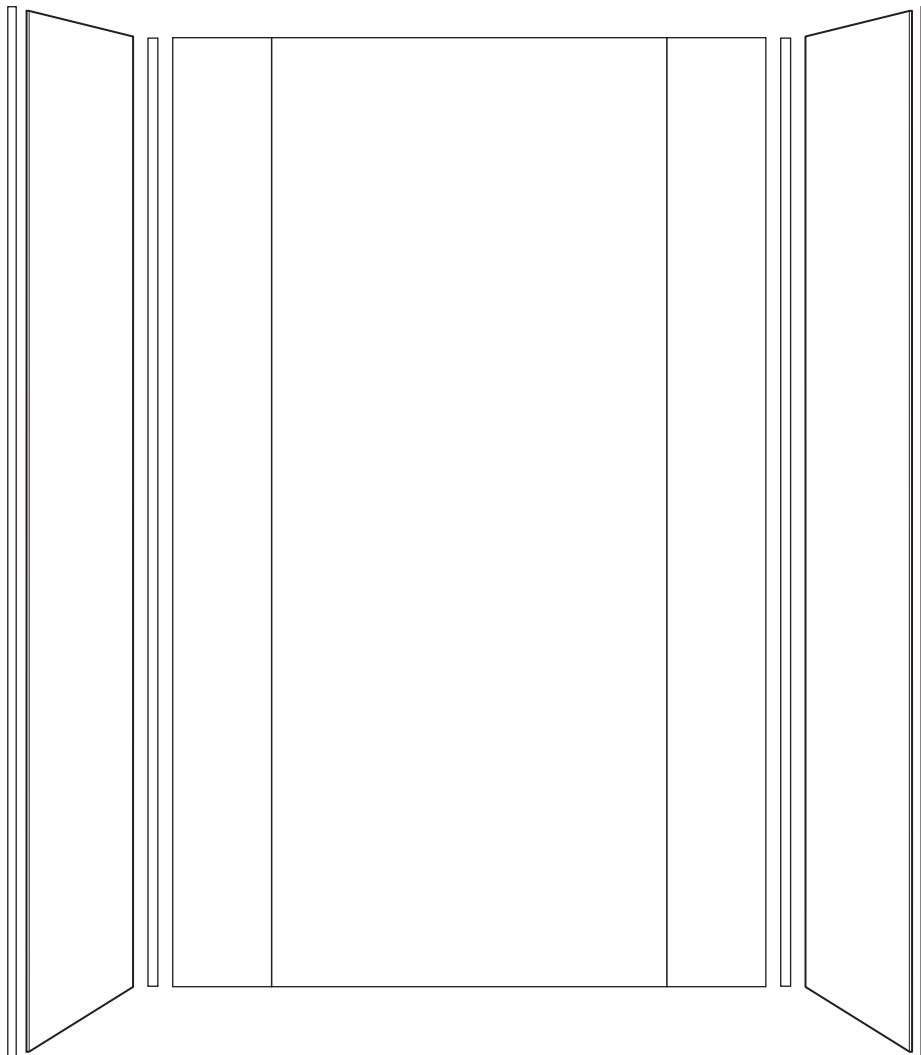




TITAN Eco Duo Tone Collection Wall Kit Installation Instructions



READ AND UNDERSTAND BEFORE INSTALLING

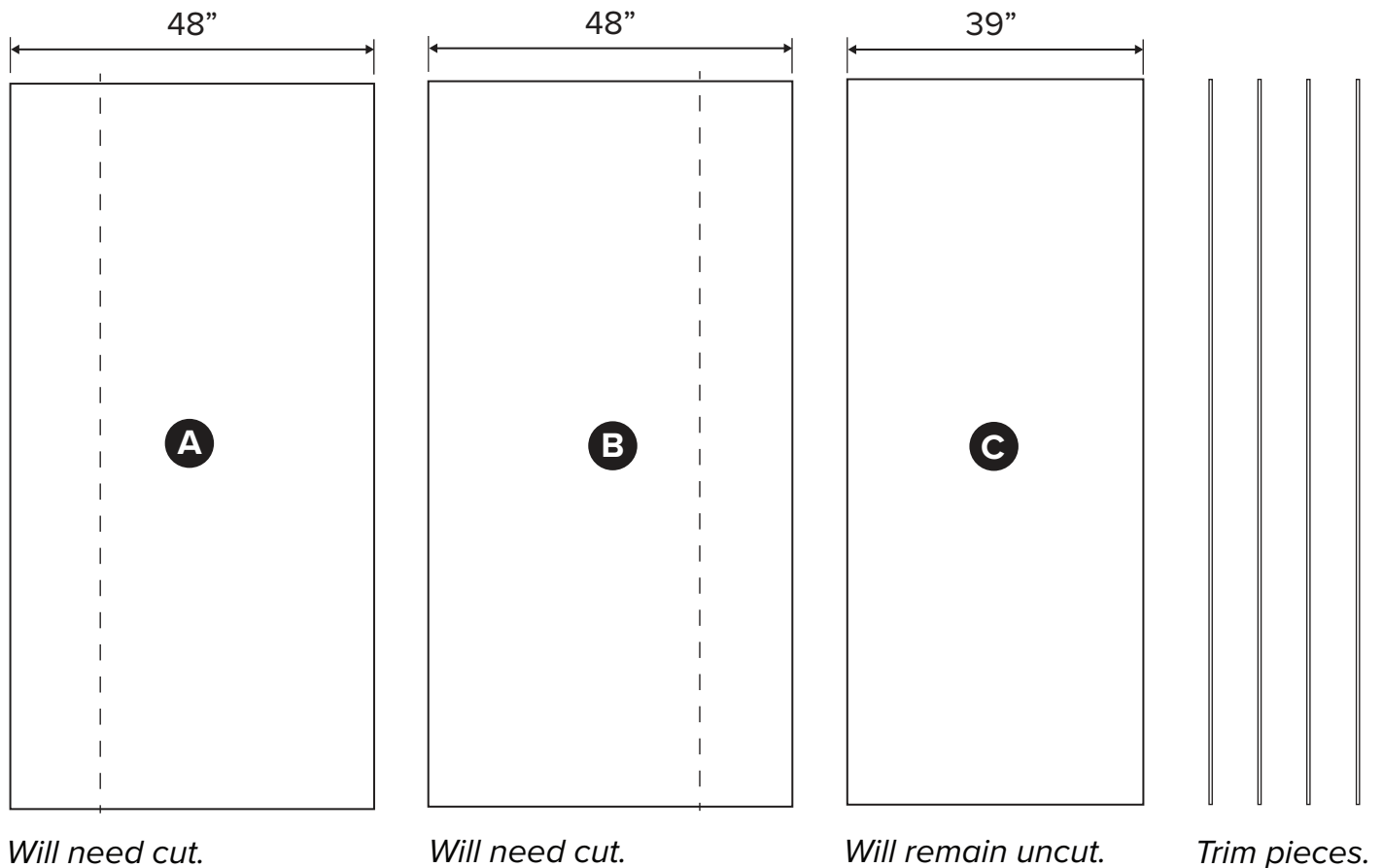
Titan Eco Duo Tone Collection Shower Wall Installation Instructions

The **TITAN ECO COLLECTION** has been designed using 3 wall panels, 2 inside corner trim pieces and 2 outside edge trim pieces.

This attractive wall set is ordered and installed using one accent panel and two matching side panels.

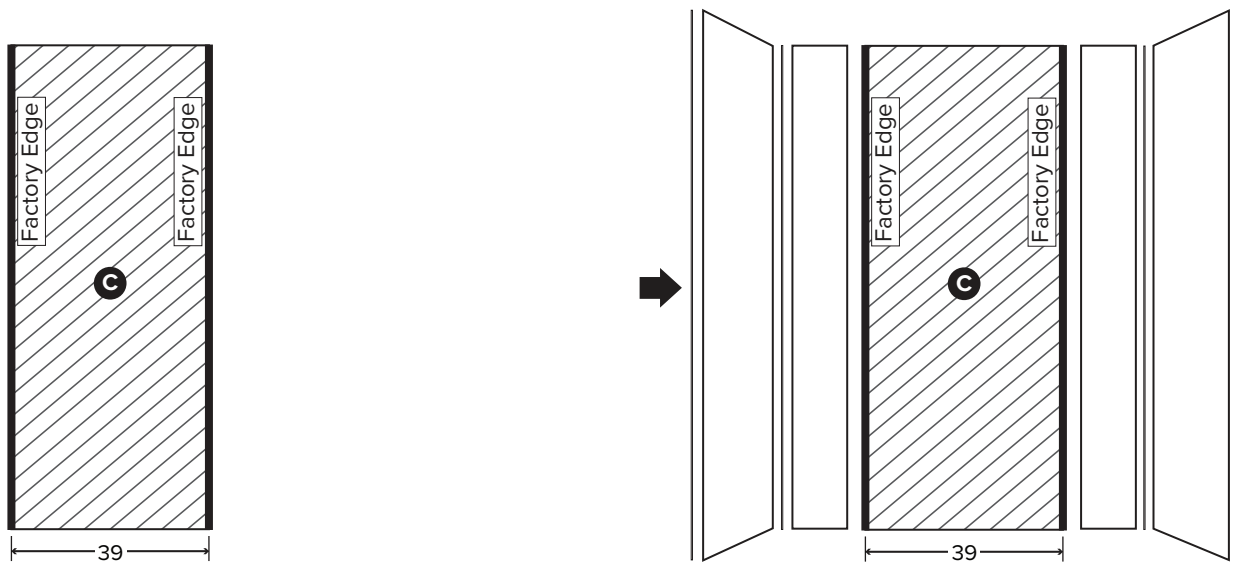
Titan Eco Collection Kit Includes:

- (2) panels: 48-in W x 96-in H (Panels A & B)
- (1) panel: 39-in W x 96-in H (Panel C)
- (2) aluminum outside inside corner trim pieces
- (2) aluminum outside edge trim pieces



INSTALLATION INSTRUCTIONS

- (1) Install your backer board and prep walls for installation.
(*Extra waterproofing corners and seam protection recommended*).
- (2) **Panel C: 39-in W x 96-in H** *Remains uncut.*
Install panel C centered on backwall as shown.
(*We recommended adhesive 5900 Hybrid for best results*).

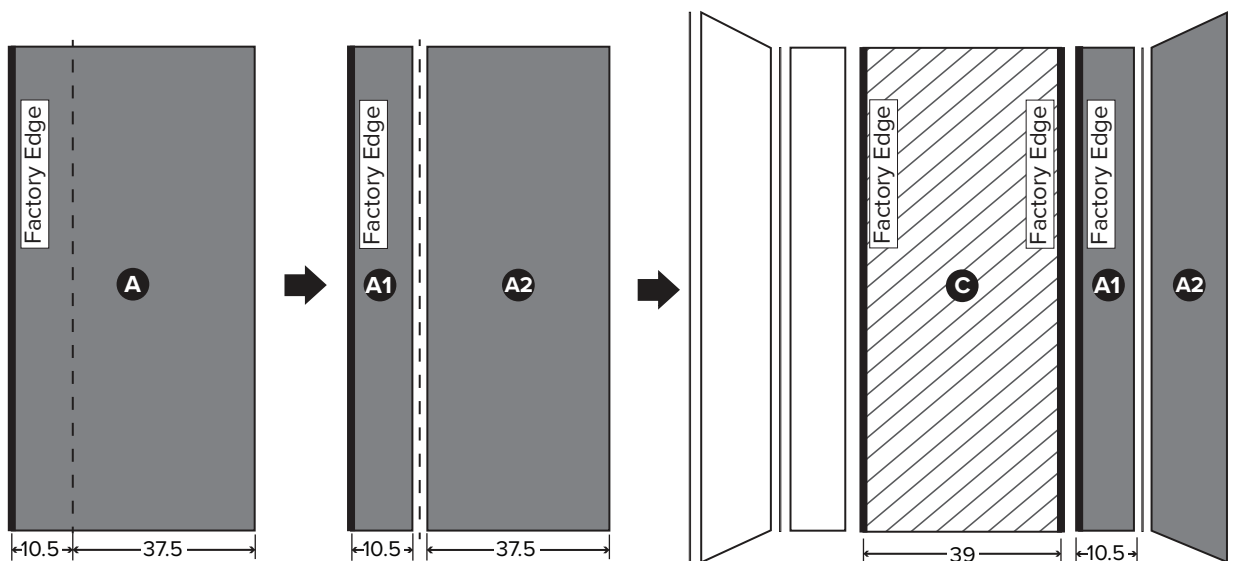


- (3) Make sure that the factory edge of right back panel will be installed against the factory edge of back panel.
This ensures a smooth transition between the panels and provides a tight true transition.

- (4) **Panel A: 48-in W x 96-in H** *Will need cut, as shown.*

Cut panel **A** to produce approximately a 10.5-in (A1) and 37.5-in (A2) panel.
(using a straight edge and a circular saw).

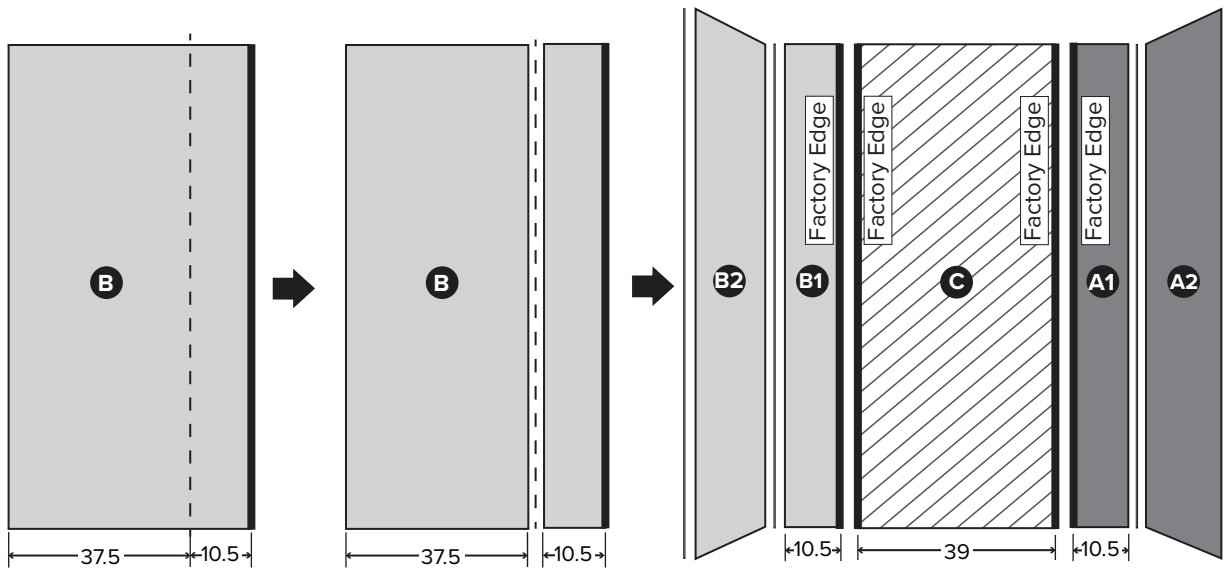
- Panel **A1** will be used for right back wall.
- Panel **A2** will be used for right side wall. Trim right side wall to fit.



(5) Panel B: 48-in W x 96-in H Will need cut, as shown.

Cut panel **B** to produce approximately a 10.5-in (B1) and 37.5-in (B2) panel.
(using a straight edge and a circular saw).

- Panel **B1** will be used for left back wall.
- Panel **B2** will be used for left side wall. Trim left side wall to fit.



(6) Install provided corner and end trim pieces, using the adhesive 5900 Hybrid, or a 100% silicone adhesive.

(7) Caulk corner trim using color matched adhesive.

Trimslate Shower Bases

Installation Instructions

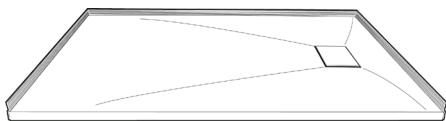
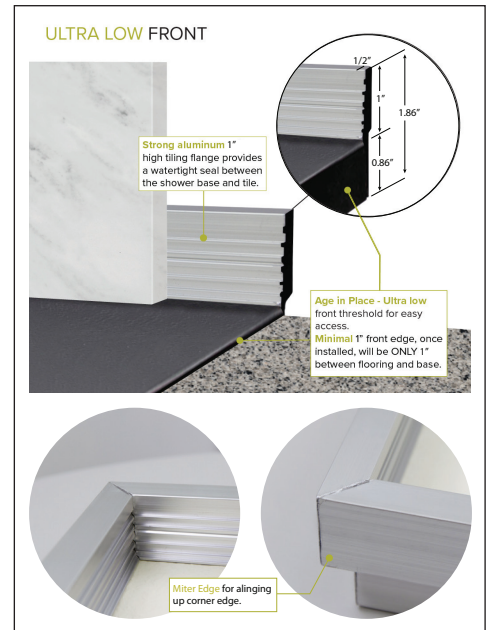
All shower bases rest on sub-floors, not finished floors. The shower bases are made to strict standards, which provide a level base. However, most floors are not level. *Trimslate Shower Bases are structurally strong. However, a mortar base is recommended for leveling purposes. The mortar base allows the installer some flexibility to ensure the base is square and level.*

Trimslate shower bases are available in 3 different models:

Zero Threshold, Adjustable Single Threshold, and Adjustable Double Threshold.

Each shower Base includes 3 aluminum flanges which are not attached to the base. The Zero Threshold shower base can be trimmed in the field to provide solutions to many custom applications. Once the base has been trimmed or ready for installation without modification, the flanges can be attached using screws and either silicone or epoxy to attach to the back and sides of the base. The Adjustable Single Threshold also includes one threshold. The Adjustable Double Threshold shower bases also includes two thresholds. The threshold(s) will be installed after the base as been installed.

The Zero Threshold Shower can be rotated 360° to allow for the best drain location. The Zero Threshold, Adjustable Single Threshold, and Adjustable Double Threshold bases are available with a left/right drain location on the 32" & 36" depth models and a center drain on the 32", 36", 40", 42", & 48" depth models.



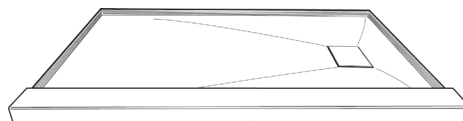
**ZERO THRESHOLD
SHOWER BASE**

Offered in nominal shower base sizes:

- 48" x 36"
- 51" x 40"
- 60" x 32"
- 60" x 36"
- 60" x 40"
- 60" x 42"
- 60" x 48"
- 63" x 32"
- 63" x 36"
- 63" x 40"
- 66" x 42"
- 66" x 48"
- 67" x 36"
- 72" x 36"
- 72" x 42"
- 72" x 48"
- 79" x 40"

Also offered in nominal shower base sizes with drain location for tub replacement:

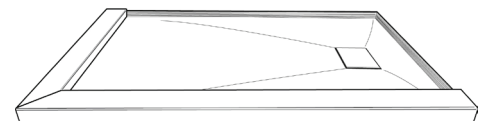
- 60" x 32"
- 60" x 36"
- 63x32"
- 63x36"



**SHOWER BASE with
ADJUSTABLE SINGLE THRESHOLD**

Offered in nominal shower base sizes:

- 48" x 36"
- 51" x 40"
- 60" x 32"
- 60" x 36"
- 60" x 40"
- 60" x 42"
- 60" x 48"
- 63" x 32"
- 63" x 36"
- 63" x 40"
- 66" x 42"
- 66" x 48"
- 67" x 36"
- 72" x 36"
- 72" x 42"
- 72" x 48"
- 79" x 40"



**SHOWER BASE with
ADJUSTABLE DOUBLE THRESHOLD**

Offered in nominal shower base sizes:

- 48" x 36"
- 51" x 40"
- 60" x 32"
- 60" x 36"
- 60" x 40"
- 60" x 42"
- 60" x 48"
- 63" x 32"
- 63" x 36"
- 63" x 40"
- 66" x 42"
- 66" x 48"
- 67" x 36"
- 72" x 36"
- 72" x 42"
- 72" x 48"
- 79" x 40"

STANDARD SHOWER BASE INSTALLATION

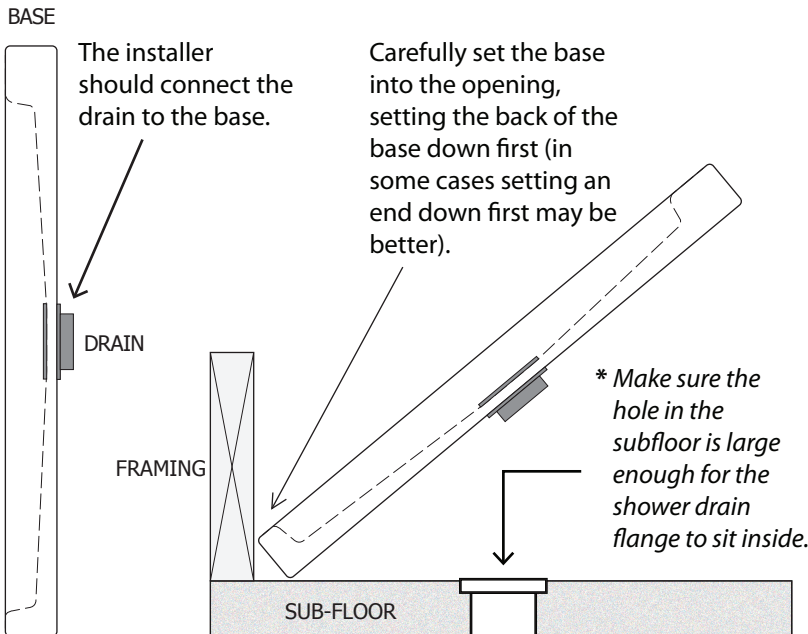
Tools Required: Circular Saw with Diamond Bit, Jigsaw, Drill with Hole Saw, and a Level.

1. Shower base includes 3 separate aluminum flanges, 1 longer back piece and 2 shorter side pieces.
2. Trim shower base if necessary.
 - Back wall on end drain bases can be trimmed 4". Opposite wall of drain can be trimmed up to 5"
 - Center drain models can be trimmed up to 5" on either end and 5" on back wall.
3. Attach aluminum flanges to cut or uncut shower base using either epoxy or 100% silicone. Make sure to apply epoxy or silicone to the mitered corners. Provided screws can also be used in addition to epoxy or silicone.

5. After the Installer has connected the drain, the substrate material (sheet-rock, green board etc.) is ready to be installed.

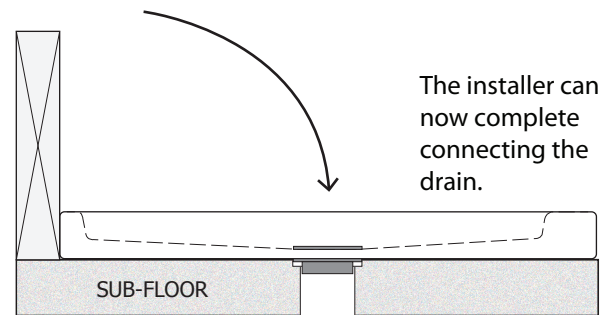
Set 1/4" above the aluminum flanges (*aluminum flanges not intended to be screwed into the studs*) The substrate material (sheet-rock, green board etc.) should stop approximately 1/4" above the flange of the base. *See diagrams.*

6. Finish walls should sit on top of shower base.

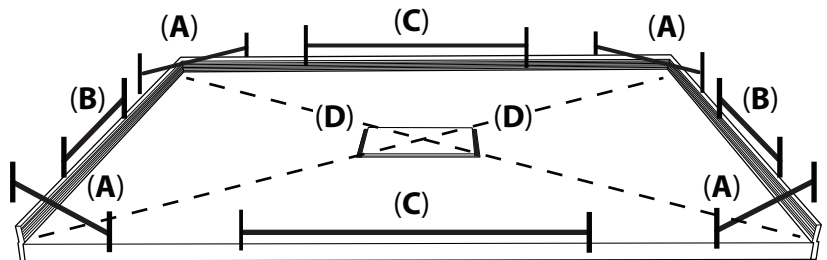


Carefully lower the base down into place, joining the base drain and the floor drain.

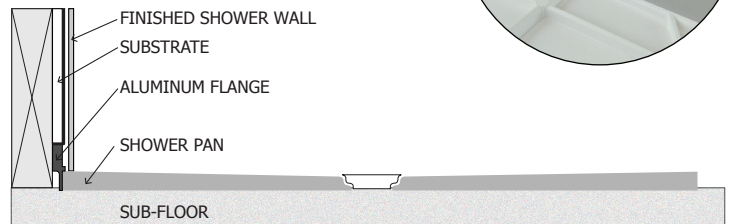
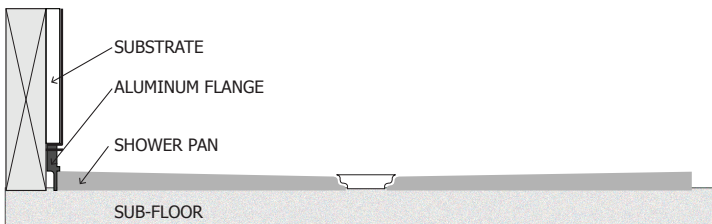
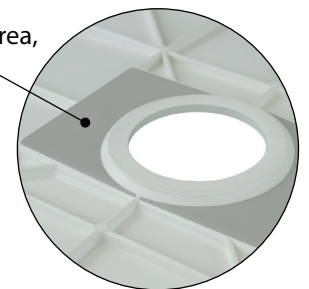
- Substrate material (sheet-rock, green board etc.) should not be installed until after the installer has connected the plumbing to the base.



4. After setting the base in place with thinset, you will need to check for levelness by placing a level in all 4 corners (A), both sides (B), and the front and rear of the base (C). If any areas are out of level, you will need to make proper adjustments prior to continuing installation. To ensure proper slope, use a straight edge on a diagonal across the base to check the slope is going towards the drain (D).



* If using thinset under the flat of the drain area, **YOU MUST MAKE SURE YOU DO NOT CREATE A CROWN IN THE BASE.**



SHOWER GRAB BAR SHELF INSTALLATION INSTRUCTIONS

Questions, problems, missing parts?

Before returning to your retailer, call our customer service department at 1-844-974-2400, 9 a.m. - 5 p.m., EST, Monday - Friday

Shower Shelf Models

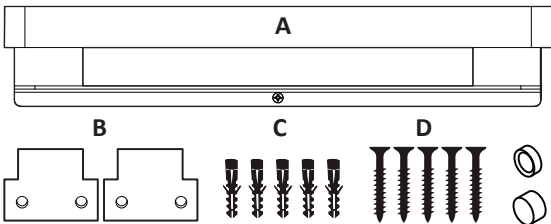
20" Shelf
30" Shelf

PLEASE READ THESE INSTALLATION INSTRUCTIONS THOROUGHLY PRIOR TO INSTALLING THIS SHOWER SHELF

IMPORTANT: THIS PRODUCT SHOULD ONLY BE INSTALLED BY QUALIFIED AND TRAINED PERSONNEL

FAILURE TO FOLLOW THESE INSTRUCTIONS COULD LEAD TO IMPROPER INSTALLATION OF THE SHOWER SHELF, STRUCTURAL AND/OR WATER DAMAGE TO THE WALL AND IN-WALL SUPPORT STRUCTURES, AND/OR SERIOUS BODILY INJURY IN USE. IN ADDITION, ALL WARRANTIES, EXPRESS OR IMPLIED, WILL BE NULL & VOID DUE TO IMPROPER INSTALLATION OF THIS PRODUCT. THE MANUFACTURER DOES NOT ASSUME ANY LIABILITY FOR DAMAGE RESULTING FROM SERVICES PERFORMED BY OTHERS, OR FAULTY INSTALLATION, MISUSE OR MISAPPLICATION OF GOODS.

TO ASSURE PROPER AND SAFE INSTALLATION, THIS SHOWER SHELF MUST BE INSTALLED INTO A MINIMUM 2" THICK SOLID WOOD IN-WALL BACKING MATERIAL. MAKE CERTAIN IN-WALL BACKING COMPLIES WITH ALL LOCAL BUILDING CODE REQUIREMENTS.

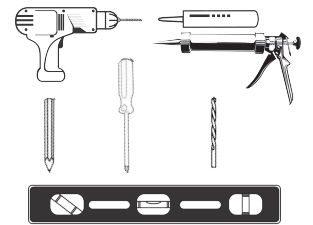


HARDWARE PROVIDED

- A Shelf (1)
- B Mounting Brackets (2)
- C Wall Anchors (5)
- D Self-Tapping Screws (5)
- E Screw Cap Base (1)
- F Decorative Screw Cap (1)

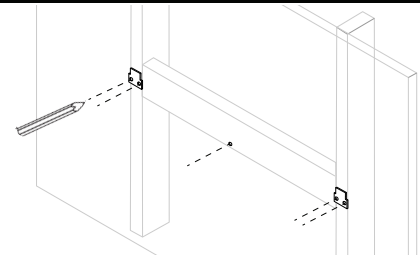
TOOLS REQUIRED

- Pencil
- Level
- Power Drill
- 3/16" Drill Bit
- Philips Screw Driver
- Silicone



STEP #1: LOCATION

- Remove Shower Shelf from package.
- Locate the area with 2" solid wood in-wall backing on the desired mounting location.
- Place the shelf in position on the wall. Using a level (not provided), ensure the shelf is level and mark the location for drilling of the mounting holes in the wall.
- Using a pencil or suitable marker, it is **extremely important** you mark the center of each of the five (5) mounting holes precisely on the mounting surface.



Proceed cautiously with installation process to avoid drilling into electrical and/or plumbing behind wall.

All mounting points must fasten into structural wood backing (minimum 2" thickness). Where possible, drill through tile - not grout.

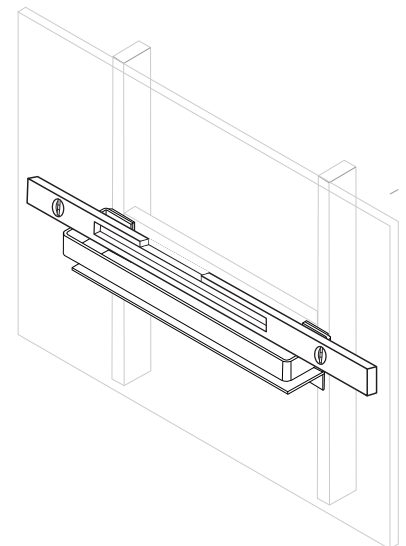
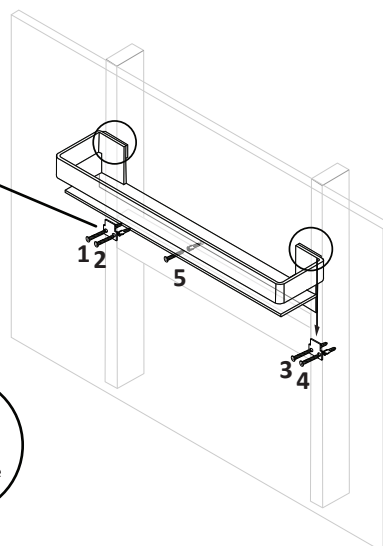
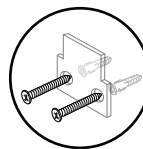
STEP #2: MOUNTING

Drill five holes with a 3/16" drill bit (not provided) at the locations indicated.

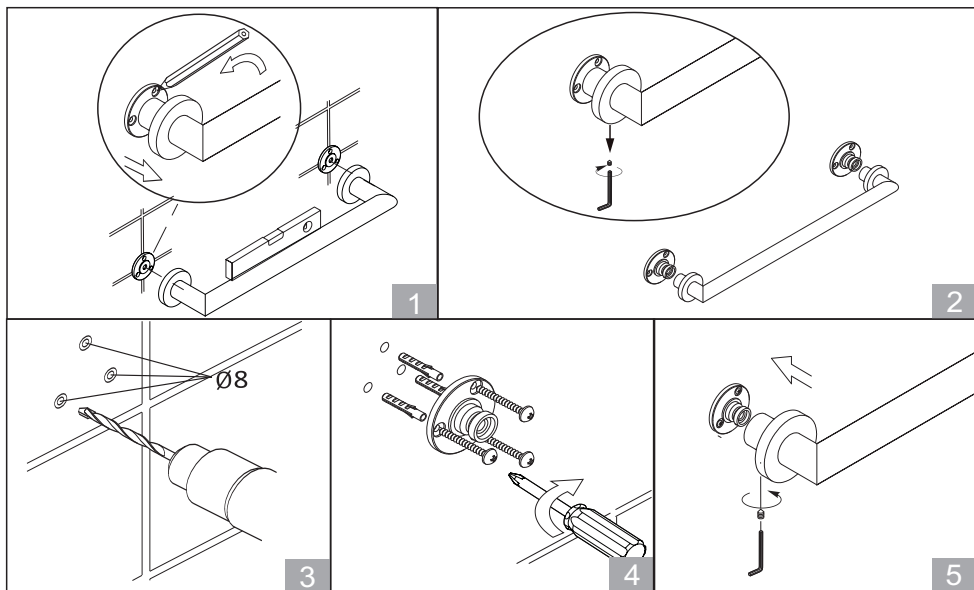
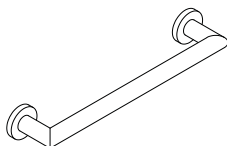
Apply silicone to hole to ensure a water-tight seal. Tap in wall anchors. Position and install mounting brackets with four self-tapping screws to secure brackets to wall.

MOUNTING

Position shelf above brackets and slide down onto brackets. Before securing remaining self-tapping screw in center position, place screw through screw cap base and secure screw into wall anchor. After center screw is secure and counter sunk into screw cap base, snap on decorative cap. Using a level, confirm shelf is mounted level. If not, small adjustments can be made to brackets.



Instruction Manual



Warning!

Please use the standard fixing kit for installation on concrete, solid brick, sand-lime perforated brick walls and solid board. Others walls, such as aerated concrete, plasterboard and gypsum fibre board require extra strengthening.

Cleaning

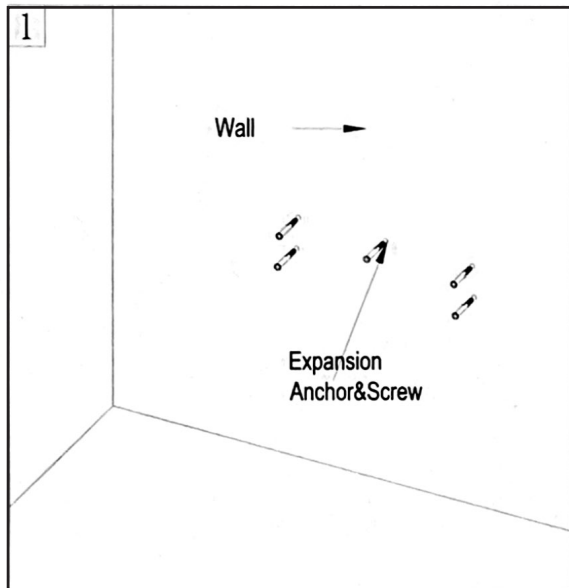
Only clean and dry the surface with mild-cleanser and soft-cloth. Never use rough sponges, abrasives, ammonia, bleach or solvent based cleaners. It is recommended to clean the surface periodically for lucent surface.

Residues of liquid soaps, shampoos and shower foams can also cause damage, so rinse with clean water after using. The damage of already damaged surfaces will deteriorate under the effect of the cleansers. Components with damaged surface must be exchanged, otherwise there could be an injury danger.

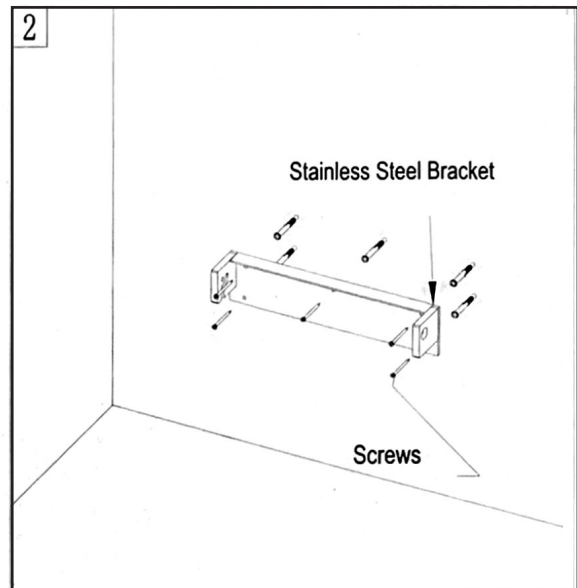
QUICK INSTALLATION TIPS OF SEAT

Before attempting to install any seat, read both the seat instructions and make sure your installation can be conformed with local standards.

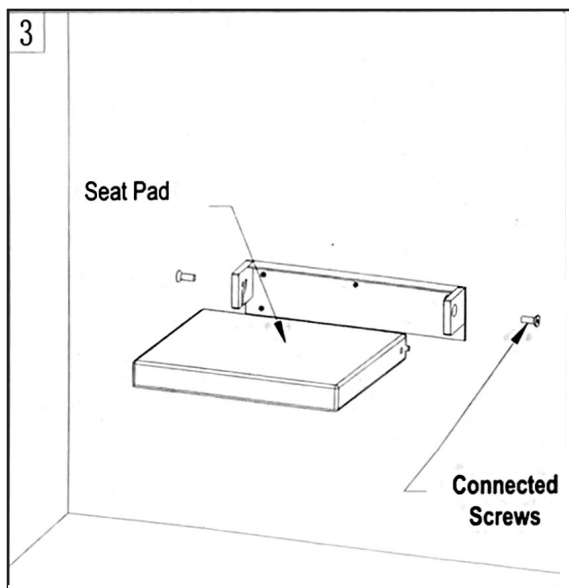
(some installation maybe need professional help)



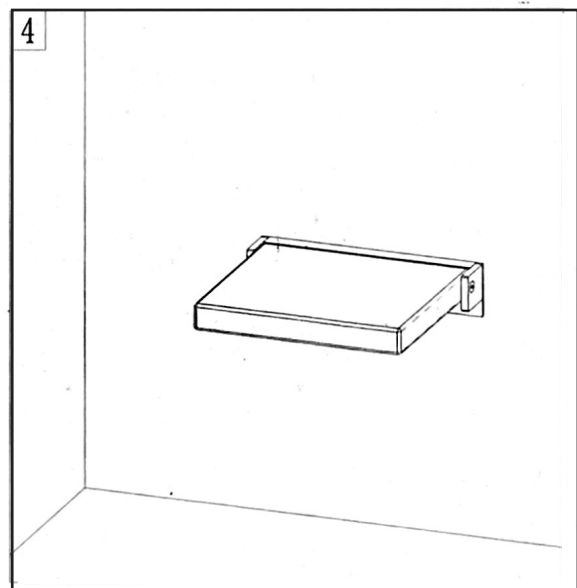
Fix the position of mounting holes on wall depend on the actual dimension of Stainless Steel Brackets(a total of 5holes)



Lock the screws on the wall in turn



Fasten the PU seat pad on the bracket by 2 pcs screws and ensure the seat pad can be moved along guide channel smoothly, then these screws can be locked.



The schematic of seat installation

Maintenance and cleaning:

- Use the gentle soap to clean the seat pad and wipe the surface by soft cloth.
- Avoid using the detergent or antiseptic or other cleanser which is loaded in spray-can.
- Do not use the corrosive cleaning powder.
- Some bathroom chemical or cosmetics will destroy this seat.
- After equipped, pls check the tightness of bolts for seating safety.

Note: Products Pictures are for visual reference only

6mm Lyna/Lydia Pivot Door Instructions

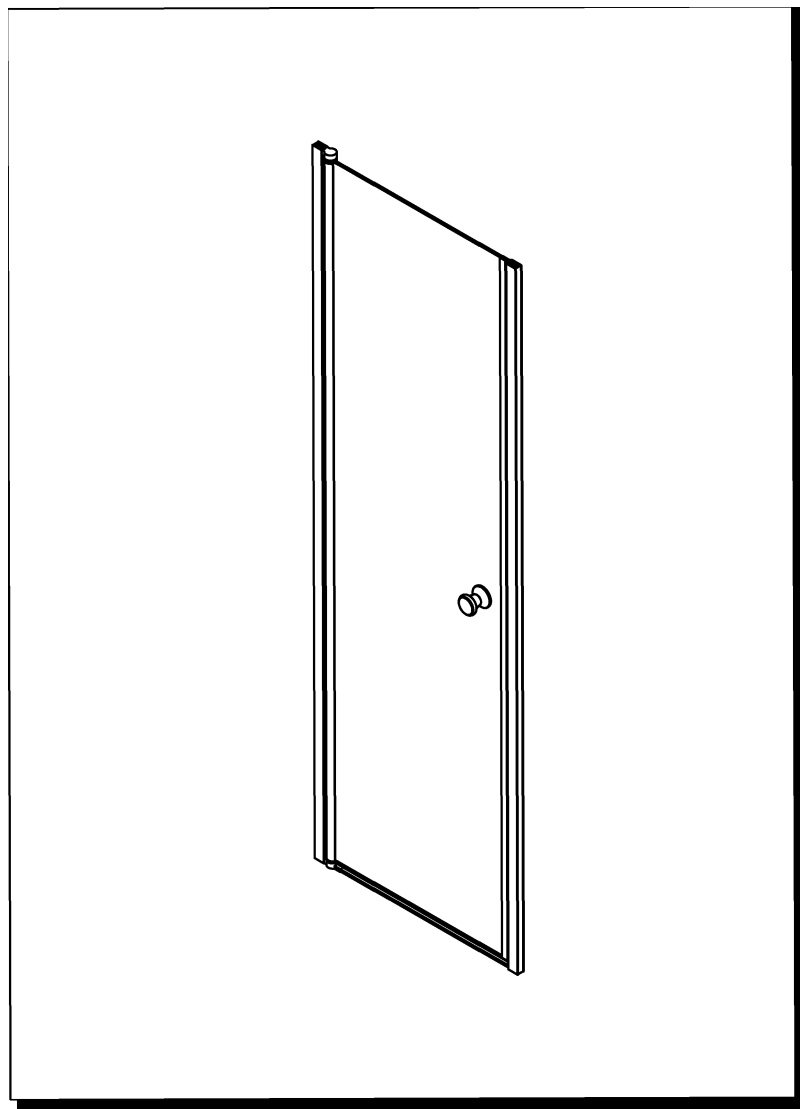
Important Points

Please read instructions before installation.

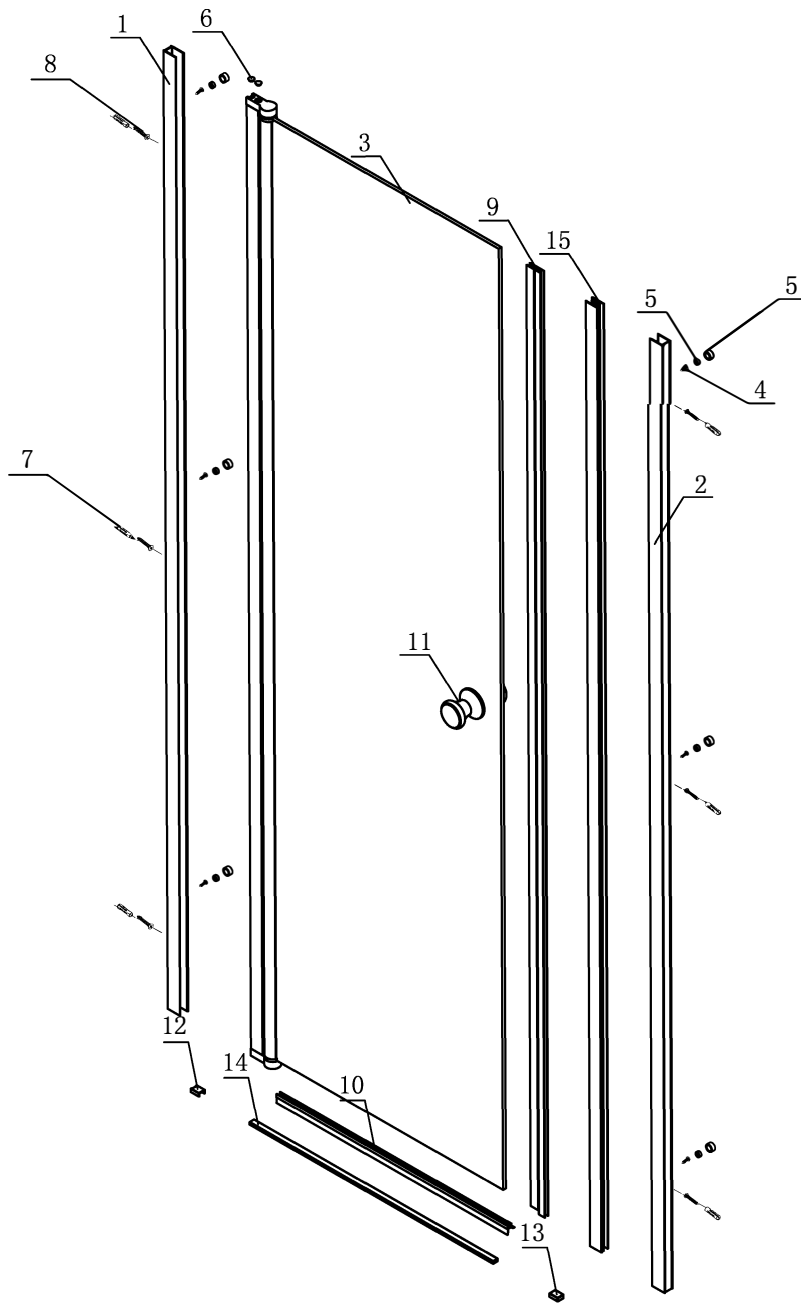
1. Check if all the components in the instructions are in the box.

Please check the following points before drilling on the wall.

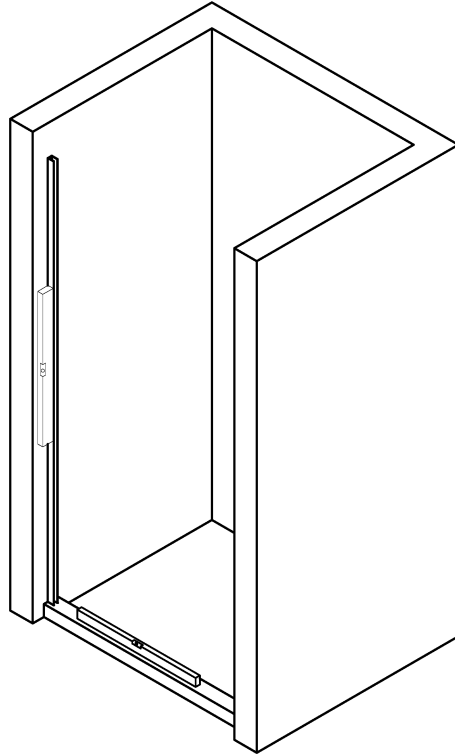
1. The wall plugs in the box are for solid wall. If the wall is hollow, you need to buy special wall plugs and screws.
2. Be sure no cables, water pipes in the wall. ◦
3. Check with your tile supplier for proper bits to drill tile. Glass is fragile, please put soft mats under glass. And protect the corner well when you stand the glass on a wall.



Exploded Drawings

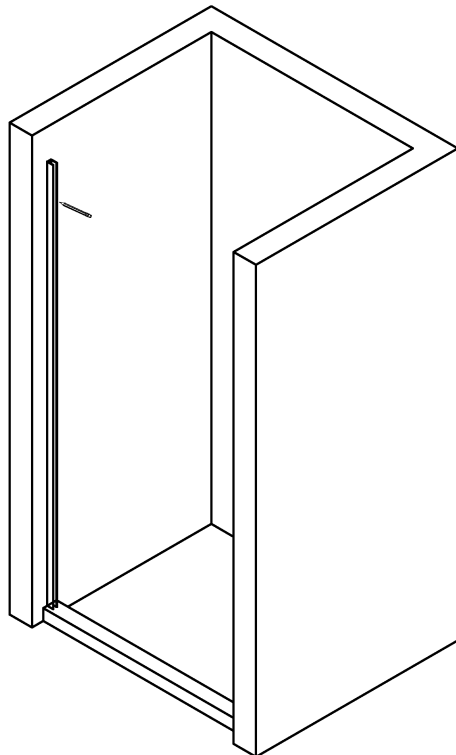


No.	Name	Qty	Drawing	No.	Name	Qty	Drawing	No.	Name	Qty	Drawing
1	wall jamb	1		5	screw cap kit	6		10	bottom PVC seal	1	
2	wall jamb	1		6	pivot screw cap	2		11	knob handle	1	
3	assembled door panel	1		7	wall plugs-Φ6	6		12	end cap with curve	1	
				8	pan head screw (ST4*50mm)	6		13	end cap no curve	1	
4	pan head screw (ST4*6mm)	8		9	Magnetci seal	2		14	bottom aluminum strip	1	
								15	aluminum profile for magnetic seal	1	



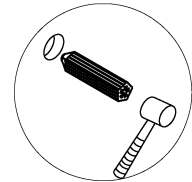
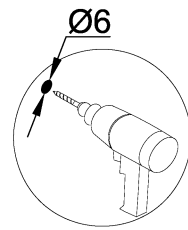
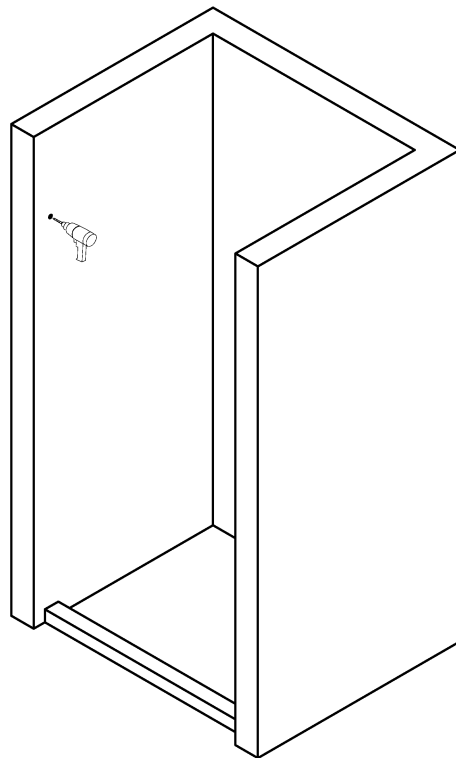
(drawing 1)

1. Prior to installation make sure the base is **100% level**. And put the wall jamb to wall to make it **100% level** and plumb. See drawing (1).



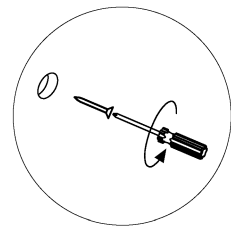
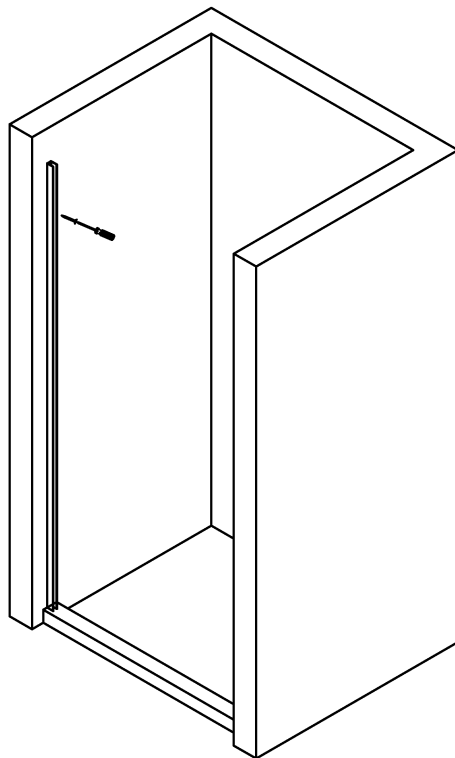
(drawing2)

2. Mark holes positions using a pencil through the holes on wall jamb. (Make sure no wire or pipes at the positions to drill), See drawing (2).



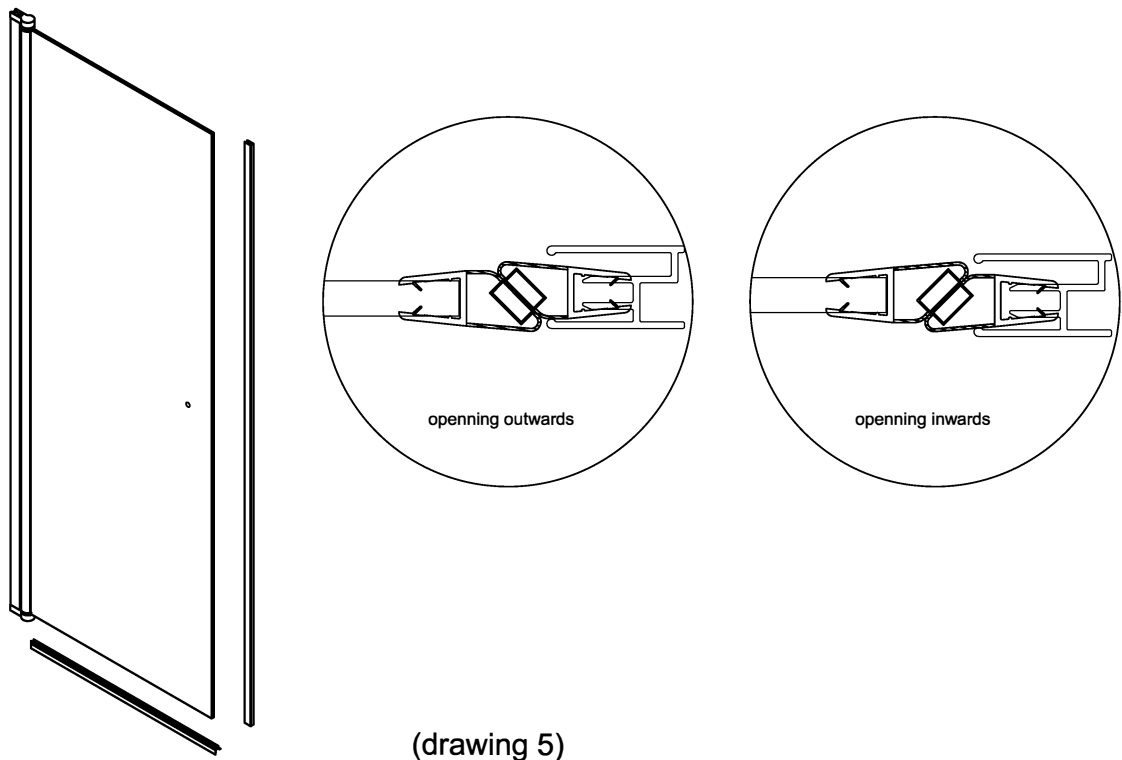
(drawing 3)

3. Move the wall jamb away. Drill holes onto the positions marked in step 2 and put in wall plugs. See drawing (3).

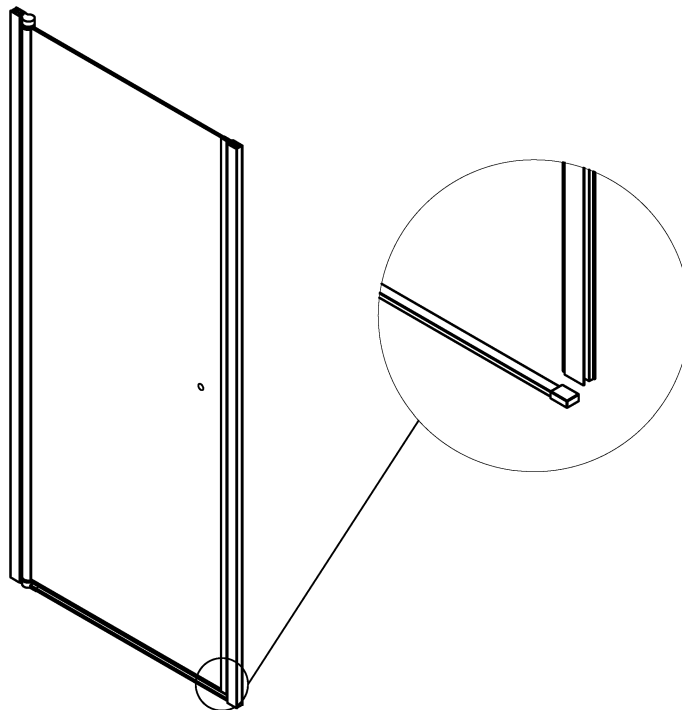


(drawing 4)

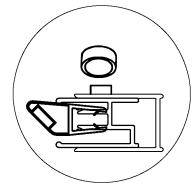
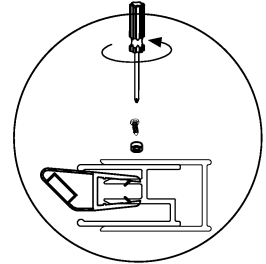
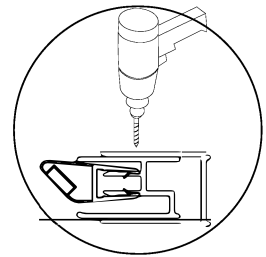
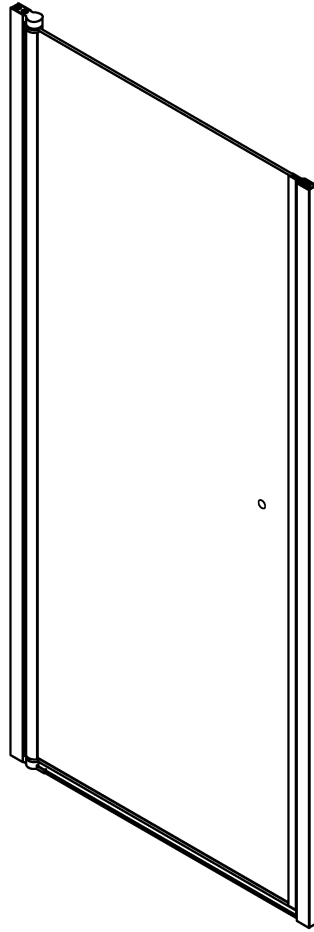
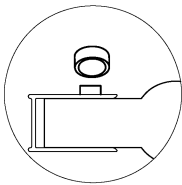
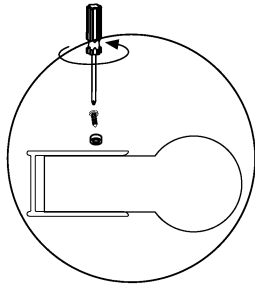
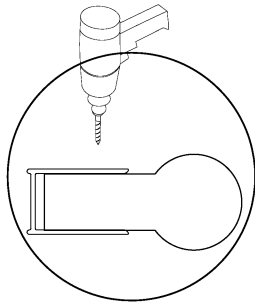
4. Fix wall jamb to wall using ST4*50 screws. See drawing (4).



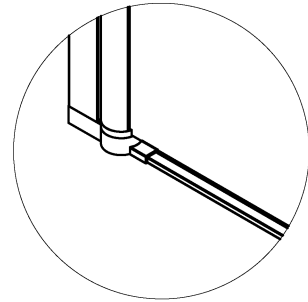
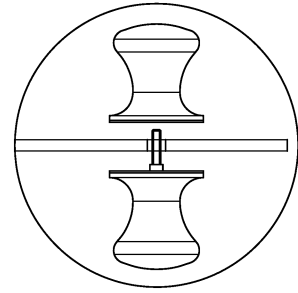
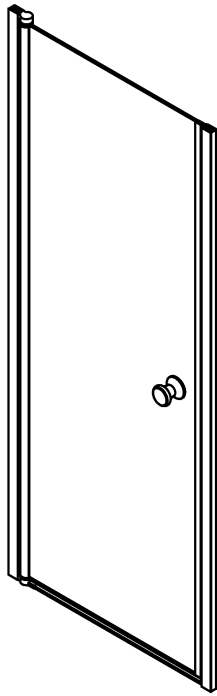
5. Fit bottom PVC water seal to the door panel bottom. The end of PVC water seal must against the round upright profile. Fit one piece of magnetic seal to the door and fit the other one to the magnetic profile (15) according to your opening direction. See drawing (5).



6. Install the pre-assembled door panel into wall jamb . Put the bottom aluminum strip at the door bottom and fit end cap with no curve to the end of the strip. Then fit the magnetic profile into the other wall jamb. The magnetic aluminum profile stand on the end cap of the bottom aluminum strip.

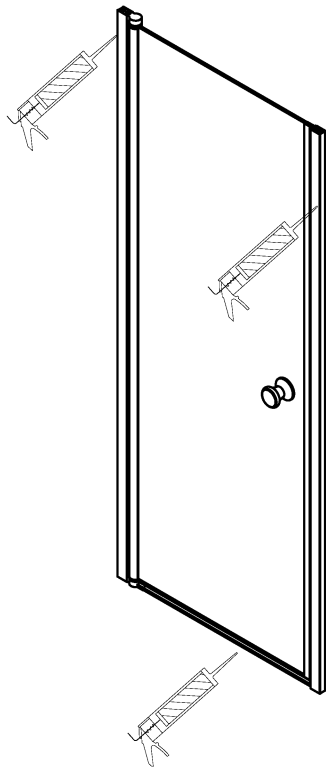


8. Adjust the door and magnetic seal position until the door can close squarely. Drill holes from inside of the shower secure the door channel to the wall jamb using the ST 4mm screws (4) and screw cap kit (5) . Repeat for the opposite side. Please note that before you screw the jamb please put the screw through the hole of the cap base then tighten it and cover with the screw cap.



(drawing 8)

8. Fit the knob handle to the door. Then open the door fit the end cap with curve the bottom aluminum strip. Please note that the end cap with curve is at the pivot side. See drawing (8).



(drawing 9)

9. Apply silicone between shower door and wall, bottom aluminum strip and floor. Please do not use the shower door until after 24 hours.