

ASSEMBLY INSTRUCTIONS

Dresser

MOD-7241 / V0.07.04.25

modway



Questions? Contact us!

609.256.9000

cs@modway.com

Welcome.

Let's get started.

Before you begin, here are some things to keep in mind:

Assembly will take most people **about 60 minutes**. Consider having a friend help you!

Only use hand tools to assemble this item. Do not use power tools. Do not tighten bolts or screws completely until all hardware is lined up and inserted into the holes.

Read through all of the instructions before starting. Make sure you have all parts and components before discarding any packing materials.

Do not over-tighten screws and bolts to avoid stripping the hardware or cracking the item.

Assemble your item on a flat, carpeted area, with plenty of space to work. This will prevent damage and scratches to your floors or the item while you're assembling the product.

Keep all components and packaging out of reach of children or animals to avoid risk of choking or suffocation.






















Care instructions are listed in the last step of this manual.

WAIT!




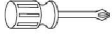
Missing parts or hardware? Need assistance?
Contact us before returning your item.
We're here to help!



HARDWARE INCLUDED IN THE BOX:

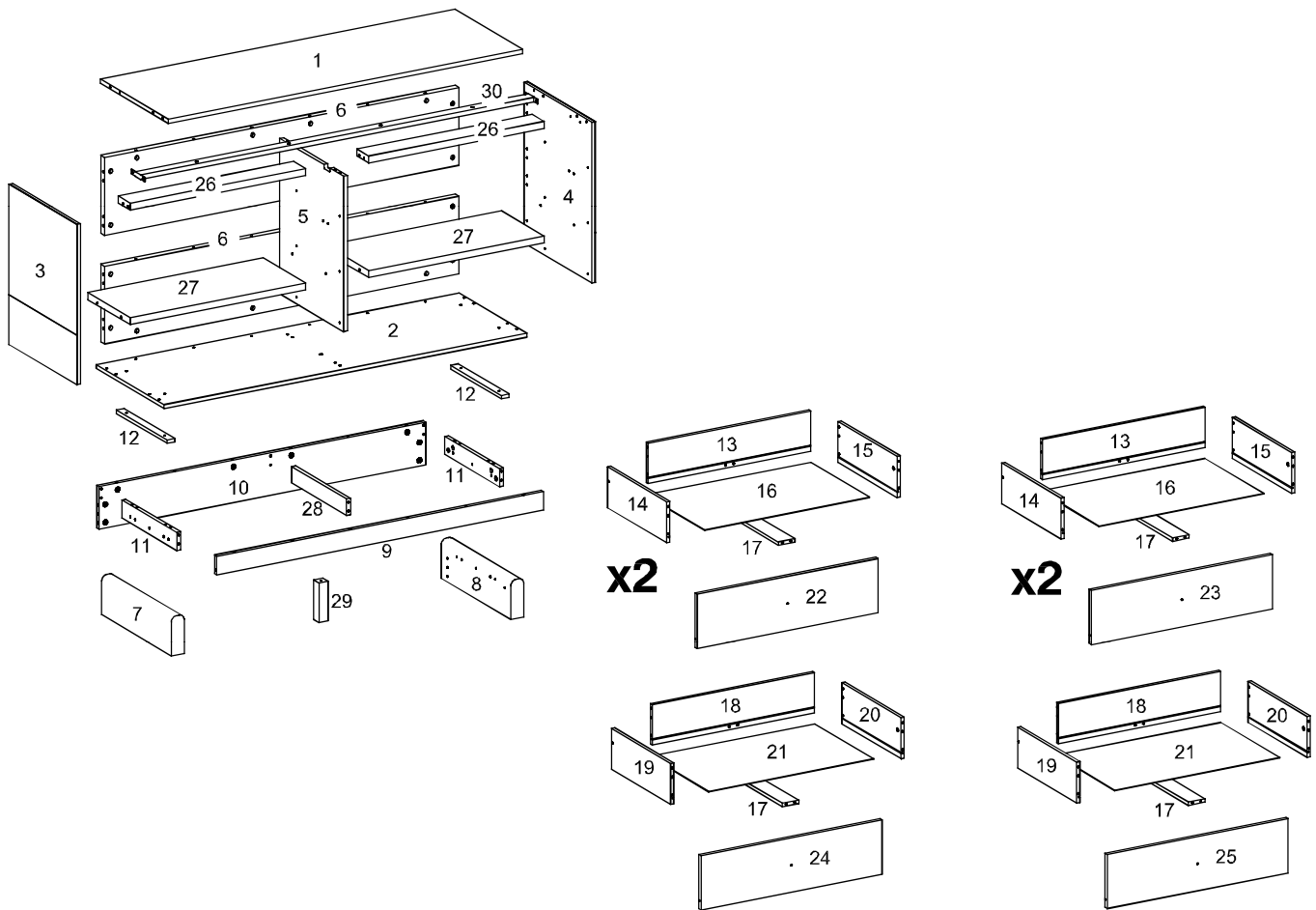
A		Cam Lock Ø15mm	x54
B		Cam Bolt Ø7.5 x 32mm	x72
C		Cam Sticker (Oak)	x38
D		Plastic Dowel M6 x 30mm	x118
E		Screw 6 x 8mm	x24
F		Screw 6 x 13mm	x24
G		Screw 10 x 33.5mm	x31
H		Drawer Rail	x6
I		Cam Lock Ø12mm	x18
J		Handle	x6
K		Screw 4 x 25mm	x6
L		Screw 10 x 25mm	x4
M		Cam Sticker (White)	x28
N		Screw 4 x 19mm	x24
O		Backply Stopper	x24
P		Adjuster	x5
Q		Screw 6 x 25mm	x4
R		Screw 4 x 10mm	x4
S		Wall Bracket Set	x1
T		Washer Plate	x4
U		Washer	x4

WHAT YOU NEED:

 Phillips		Long Phillips Head Screwdriver
 Phillips		Short Phillips Head Screwdriver

FURNITURE COMPONENTS INCLUDED IN THE BOX:

All parts are numbered with a sticker according to this list.



BOX A

3	Left Board	x1
4	Right Board	x1
5	Divider Board	x1
12	Bottom Support	x2
13	Top Rear Drawer	x4
14	Top Left Drawer	x4
15	Top Right Drawer	x4
16	Upper Bottom Drawer	x4
17	Bottom Support Drawer	x6
18	Bottom Rear Drawer	x2
19	Bottom Left Drawer	x2

BOX B

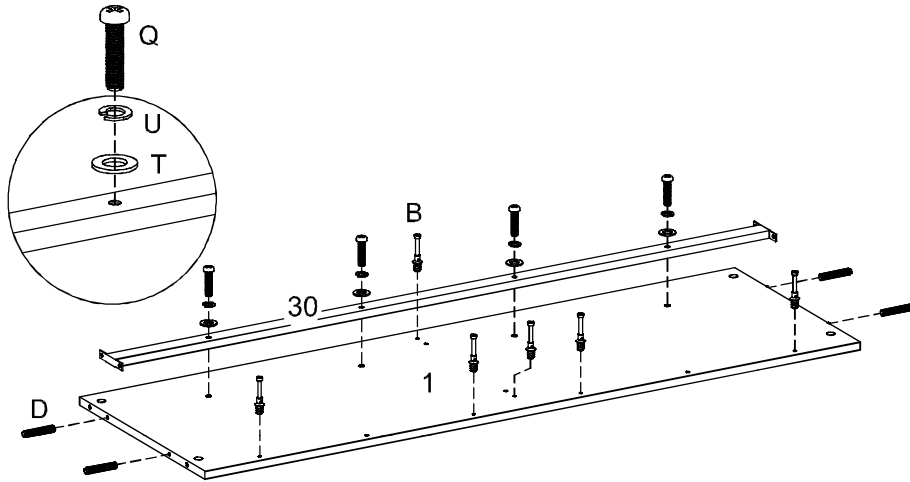
20	Bottom Right Drawer	x2
21	Lower Bottom Drawer	x2
22	Top Left Front Drawer	x2
23	Top Right Front Drawer	x2
24	Bottom Left Front Drawer	x1
25	Bottom Right Front Drawer	x1
1	Top Board	x1
2	Bottom board	x1
6	Rear Board	x2
7	Left Leg	x1
8	Right Leg	x1
9	Front Support	x1
10	Rear Support	x1
11	Side Support	x2
28	Middle Support	x1
29	Middle Leg	x1
30	Metal Support	x1

HARDWARE BOX

1.1 Insert and screw Cam Bolt (B) into Top Board (1) as shown.

1.2 Attach Metal Support (30) to Top Board (1) using Screw (Q), Washer Plate (T) and Washer (U).

1.3 Insert Plastic Dowel (D) into Top Board (1) as shown.



HARDWARE

B	Cam Bolt $\text{\O}7.5 \times 32\text{mm}$	x6
D	Plastic Dowel M6 x 30mm	x4
Q	Screw 6 x 25mm	x4
T	Washer Plate	x4
U	Washer	x4

COMPONENTS

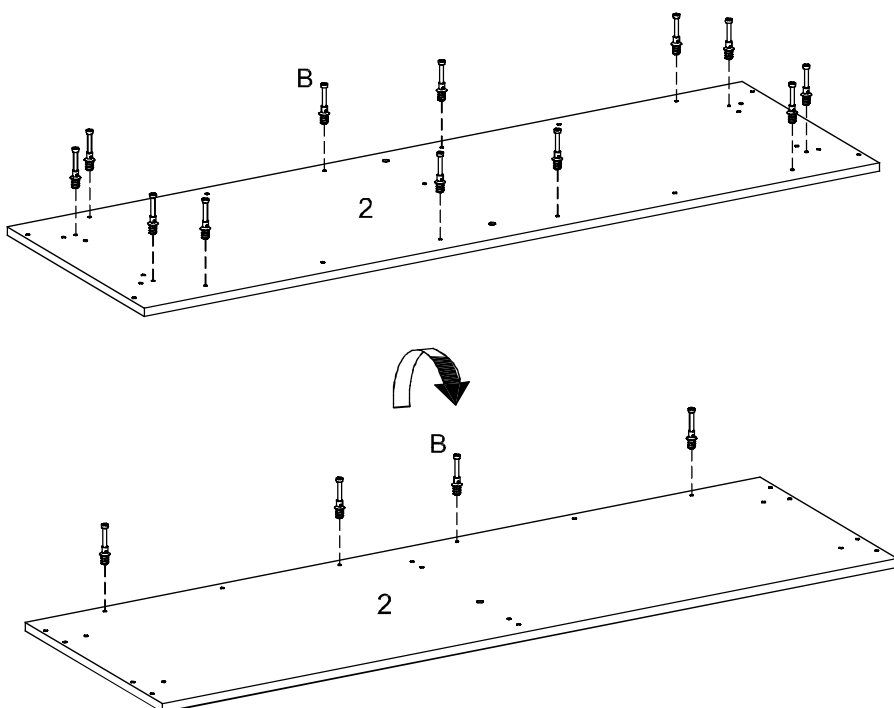
1	Top Board	x1
30	Metal Support	x1

TOOLS

1	Phillips Head Screwdriver	x1
----------	---------------------------	----

STEP 02

2.1 Insert and screw Cam Bolt (B) into Bottom Board (2).
Flip the board 180° then screw again Cam Bolt (B) as shown.



HARDWARE

B	Cam Bolt $\text{\O}7.5 \times 32\text{mm}$	x16
----------	--	-----

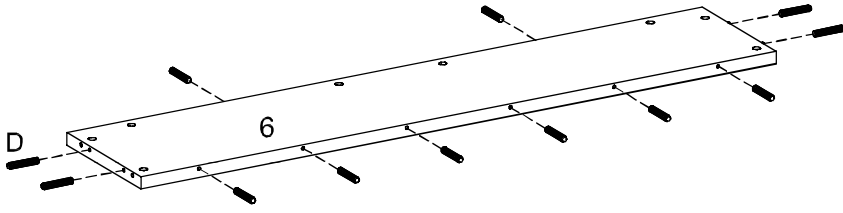
COMPONENTS

2	Bottom Board	x1
----------	--------------	----

TOOLS

1	Phillips Head Screwdriver	x1
----------	---------------------------	----

3.1 Insert Plastic Dowel (D) into Rear Board (6) as shown.



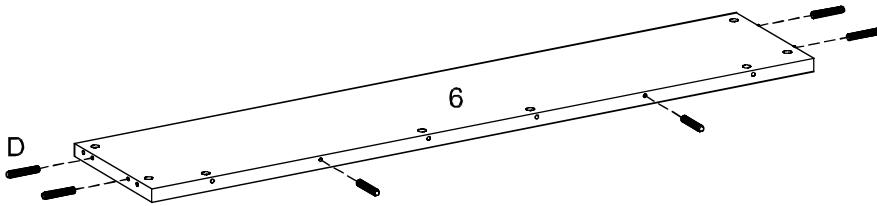
HARDWARE

D Plastic Dowel M6 x 30mm x18

COMPONENTS

6 Rear Board x2

3.1 Insert Plastic Dowel (D) into Rear Board (6) as shown.

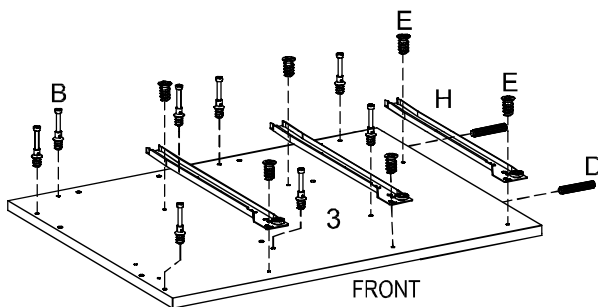
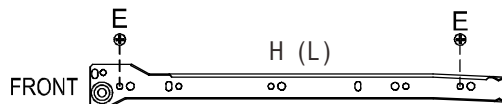


STEP 04

4.1 Insert and screw Cam Bolt (B) into Left Board (3) as shown.

4.2 Install Drawer Rail (H) to Left Board (3) using screw (E).

4.3 Insert Plastic Dowel (D) into Left Board (3) as shown.



HARDWARE

B Cam Bolt $\text{\O}7.5 \times 32\text{mm}$ x8

D Plastic Dowel M6 x 30mm x2

E Screw 6 x 8mm x6

H Drawer Rail x3

COMPONENTS

3 Left Board x1

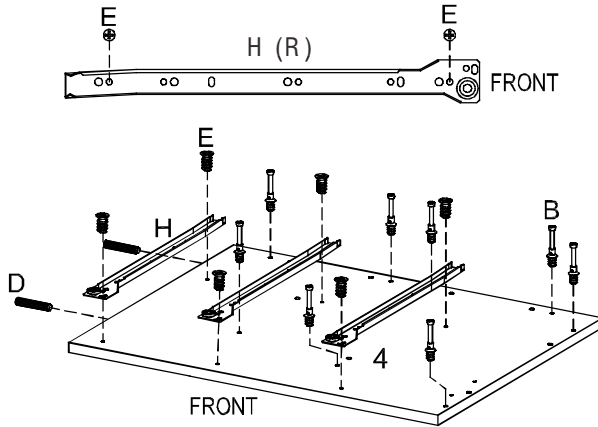
TOOLS

1 Phillips Head Screwdriver x1

5.1 Insert and screw Cam Bolt (B) into Right Board (4) as shown.

5.2 Install Drawer Rail (H) to Right Board (4) using screw (E).

5.3 Insert Plastic Dowel (D) to Right Board (4) as shown.



HARDWARE

- B** Cam Bolt Ø7.5 x 32mm x8
- D** Plastic Dowel M6 x 30mm x2
- E** Screw 6 x 8mm x6
- H** Drawer Rail x3

COMPONENTS

- 4** Right Board x1

TOOLS

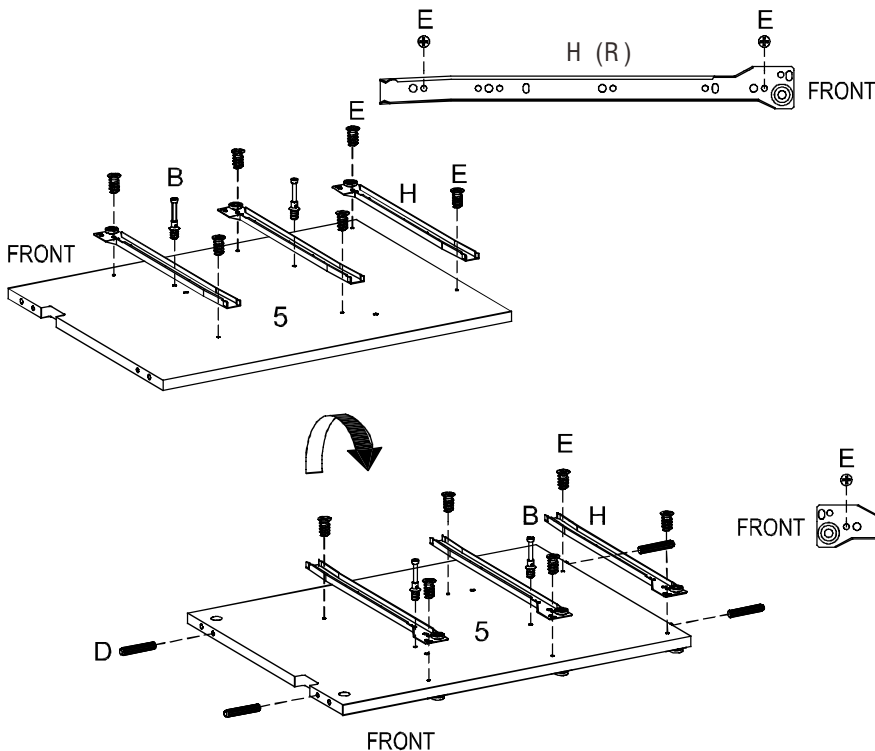
- 1** Phillips Head Screwdriver x1

STEP 06

6.1 Insert and screw Cam Bolt (B) into Divider Board (5) as shown. Install Drawer Rail (H) to Divider Board (5) using screw (E).

6.2 Flip the board 180° then Screw again Cam Bolt (B) using screw (E). Install Drawer Rail (H) to the Board using screw (E).

6.3 Insert Plastic Dowel (D) to Divider Board (5) as shown.



HARDWARE

- B** Cam Bolt Ø7.5 x 32mm x4
- D** Plastic Dowel M6 x 30mm x4
- E** Screw 6 x 8mm x12
- H** Drawer Rail x3

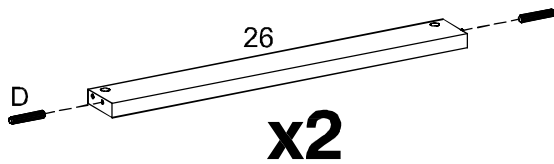
COMPONENTS

- 5** Divider Board x1

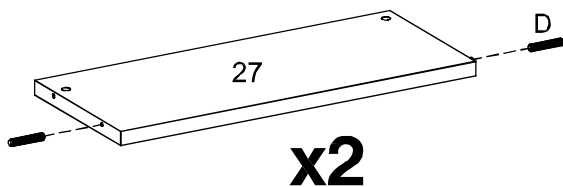
TOOLS

- 1** Phillips Head Screwdriver x1

7.1 Insert Plastic Dowel (D) into Top Support (26) as shown.
Repeat to the other piece.



7.1 Insert Plastic Dowel (D) into Adjustable Shelf (27) as shown.
Repeat to the other piece.



HARDWARE

D Plastic Dowel M6 x 30mm x8

COMPONENTS

26 Top Support x2

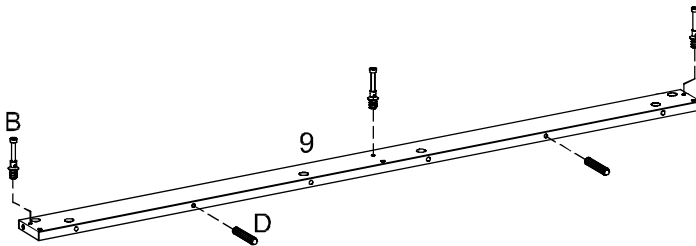
27 Adjustable Shelf x2

TOOLS

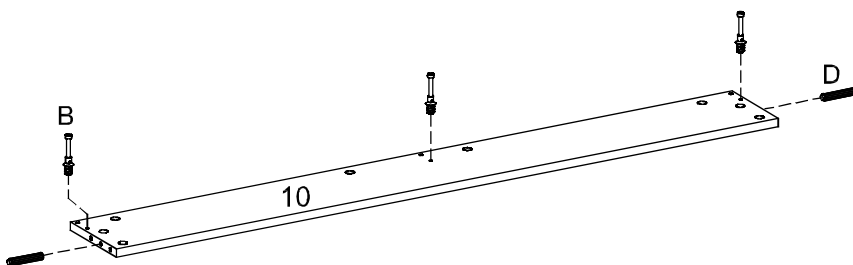
1 Phillips Head Screwdriver x1

STEP 08

8.1 Insert and screw Cam Bolt (B) into Front Support (9).
Insert Plastic Dowel (D) into Front Support (9) as shown.



8.2 Insert and screw Cam Bolt (B) into Rear Support (10).
Insert Plastic Dowel (D) into Rear Support (10) as shown.



HARDWARE

B Cam Bolt $\varnothing 7.5 \times 32$ mm x6

D Plastic Dowel M6 x 30mm x4

COMPONENTS

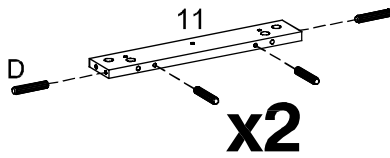
9 Front Support x1

10 Rear Support x1

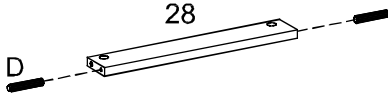
TOOLS

1 Phillips Head Screwdriver x1

9.1 Insert Plastic Dowel (D) into Side Support (11) as shown. Repeat on the other piece.



9.2 Insert Plastic Dowel (D) into Middle Support (28) as shown.



HARDWARE

D Plastic Dowel M6 x 30mm x10

COMPONENTS

11 Side Support x2

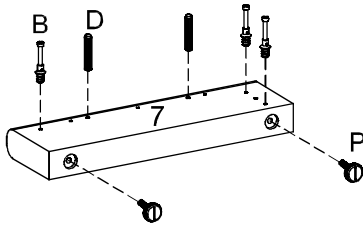
28 Middle Support x1

TOOLS

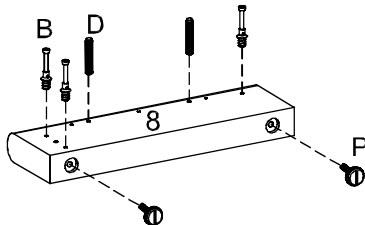
1 Phillips Head Screwdriver x1

STEP 10

10.1 Insert and screw Cam Bolt (B) into Left Leg (7). Insert Plastic Dowel (D) into Left Leg (7). Install Adjuster on the edge of the Left Leg (7) as shown.



10.2 Insert and screw Cam Bolt (B) into Right Leg (8). Insert Plastic Dowel (D) into Right Leg (8). Install Adjuster on the edge of the Right Leg (8) as shown.



HARDWARE

B Cam Bolt $\varnothing 7.5 \times 32$ mm x6

D Plastic Dowel M6 x 30mm x4

P Adjuster x5

COMPONENTS

7 Left Leg x1

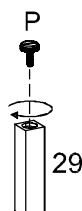
8 Right Leg x1

29 Middle Leg x1

TOOLS

1 Phillips Head Screwdriver x1

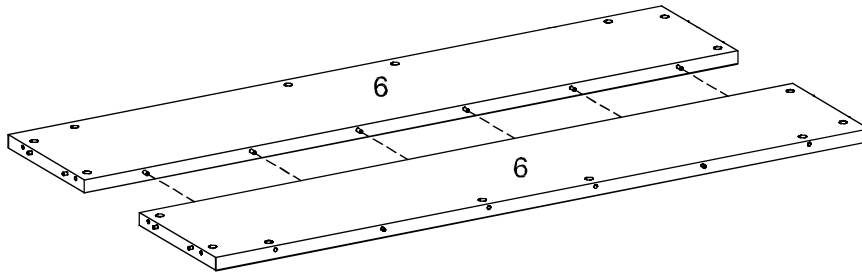
10.3 Install Adjuster on the Middle Leg (29) as shown.



11.1 Attach Rear Board (6) to the other piece as shown.

COMPONENTS

6 Rear Board x2



STEP 12

HARDWARE

A Cam Lock Ø15mm x4
 C Cam Sticker (Oak) x4

COMPONENTS

1 Top Board x1
 6 Rear Board x1

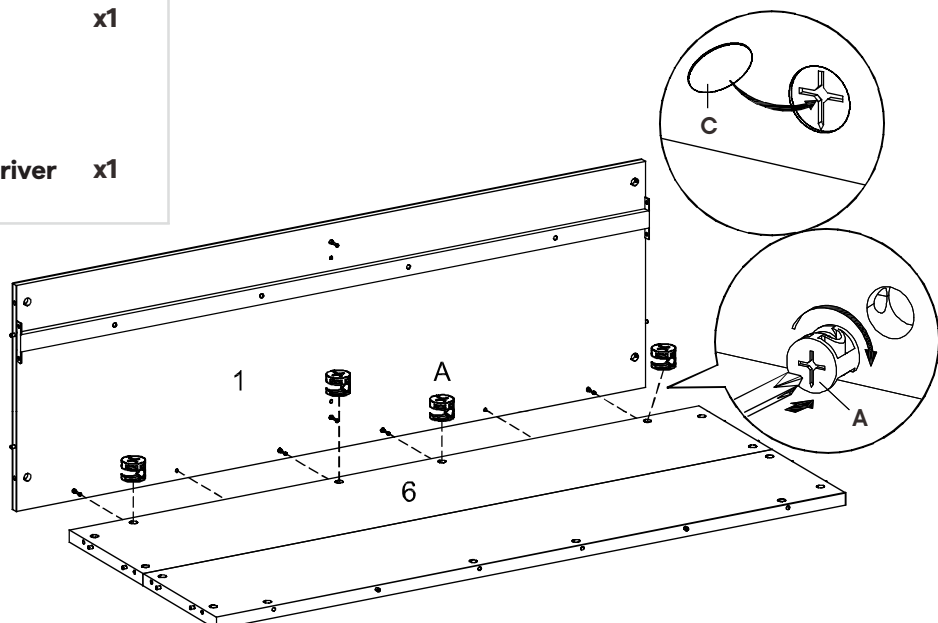
TOOLS

1 Phillips Head Screwdriver x1

12.1 Attach Top Board (1) to Rear Board (6) as shown.

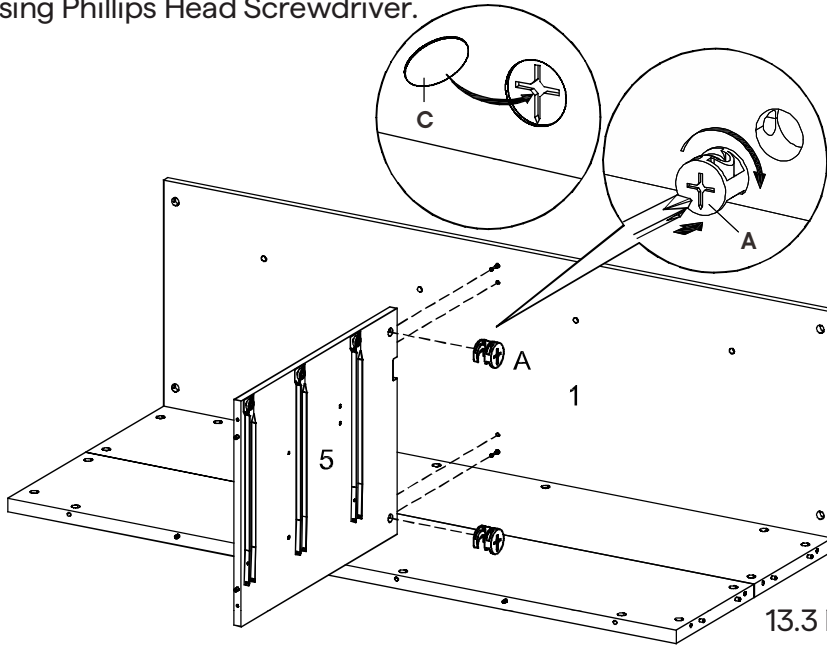
12.2 Insert Cam Lock (A) to the assembled unit, then tighten it using Phillips Head Screwdriver.

12.3 Paste Cam Sticker (C) to the Cam Lock (A).



13.1 Attach Divider Board (5) to the Assembled unit as shown.

13.2 Insert Cam Lock (A) to the assembled unit, then tighten it using Phillips Head Screwdriver.



HARDWARE

- A** Cam Lock Ø15mm x2
- C** Cam Sticker (Oak) x2

COMPONENTS

- 1** Top Board x1
- 5** Divider Board x1

TOOLS

- 1** Phillips Head Screwdriver x1

13.3 Paste Cam Sticker (C) to the Cam Lock (A).

STEP 14

14.1 Attach Left Board (3) to the Assembled unit as shown.

14.2 Insert Cam Lock (A) to the assembled unit, then tighten it using Phillips Head Screwdriver.

14.3 Paste Cam Sticker (C) to the Cam Lock (A).

14.4 Tighten Metal Support (30) with Left Board (3) using screw (R).

HARDWARE

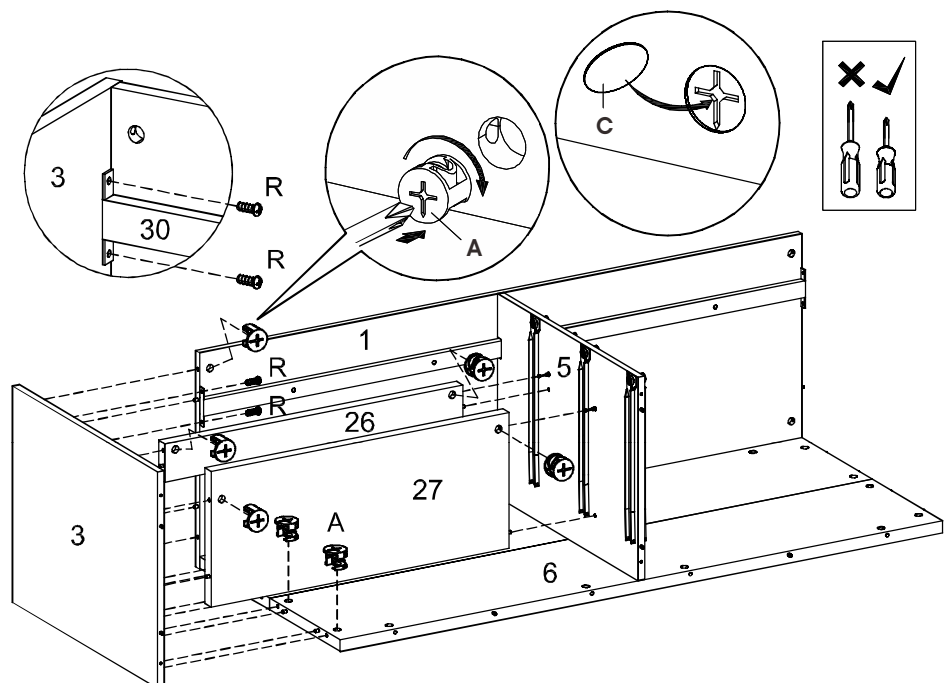
- A** Cam Lock Ø15mm x10
- C** Cam Sticker (Oak) x10
- R** Screw 4 x 10mm x2

COMPONENTS

- 1** Top Board x1
- 3** Left Board x1
- 5** Divider Board x1
- 6** Rear Board x2
- 26** Top Support x1
- 27** Adjustable Shelf x1

TOOLS

- 1** Phillips Head Screwdriver x1



HARDWARE

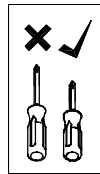
- A** Cam Lock Ø15mm x10
- C** Cam Sticker (Oak) x10
- R** Screw 4 x 10mm x2

COMPONENTS

- 1** Top Board x1
- 4** Right Board x1
- 5** Divider Board x1
- 6** Rear Board x2
- 26** Top Support x1
- 27** Adjustable Shelf x1

TOOLS

- 1** Phillips Head Screwdriver x1

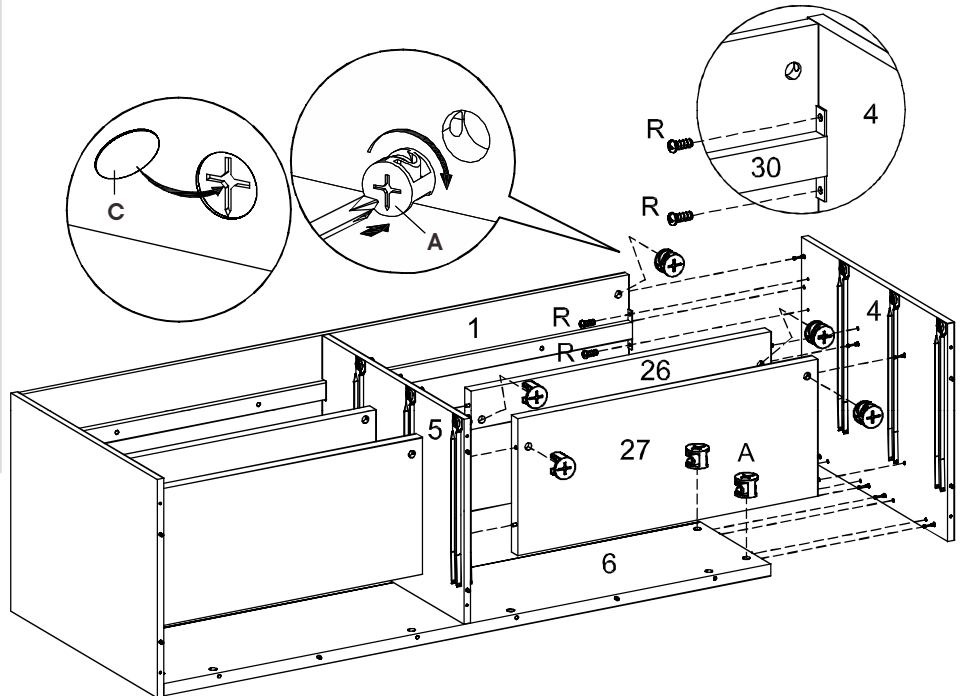


15.1 Attach Right Board (4) to the Assembled unit as shown.

15.2 Insert Cam Lock (A) to the assembled unit, then tighten it using Phillips Head Screwdriver.

15.3 Paste Cam Sticker (C) to the Cam Lock (A).

15.4 Tighten Metal Support (30) with Right Board (4) using screw (R).



STEP 16

HARDWARE

- G** Screw 10 x 33.5mm x1
- L** Screw 10 x 25mm x4

COMPONENTS

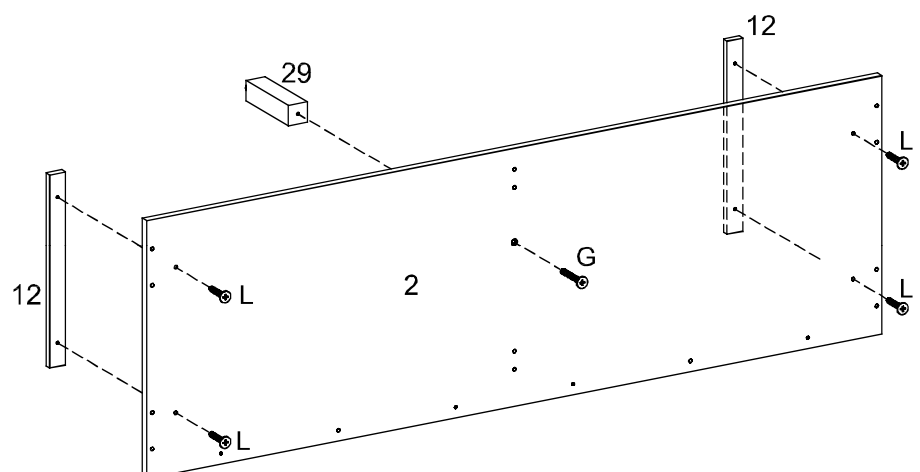
- 2** Bottom Board x1
- 12** Bottom Support x2
- 29** Middle Leg x1

TOOLS

- 1** Phillips Head Screwdriver x1

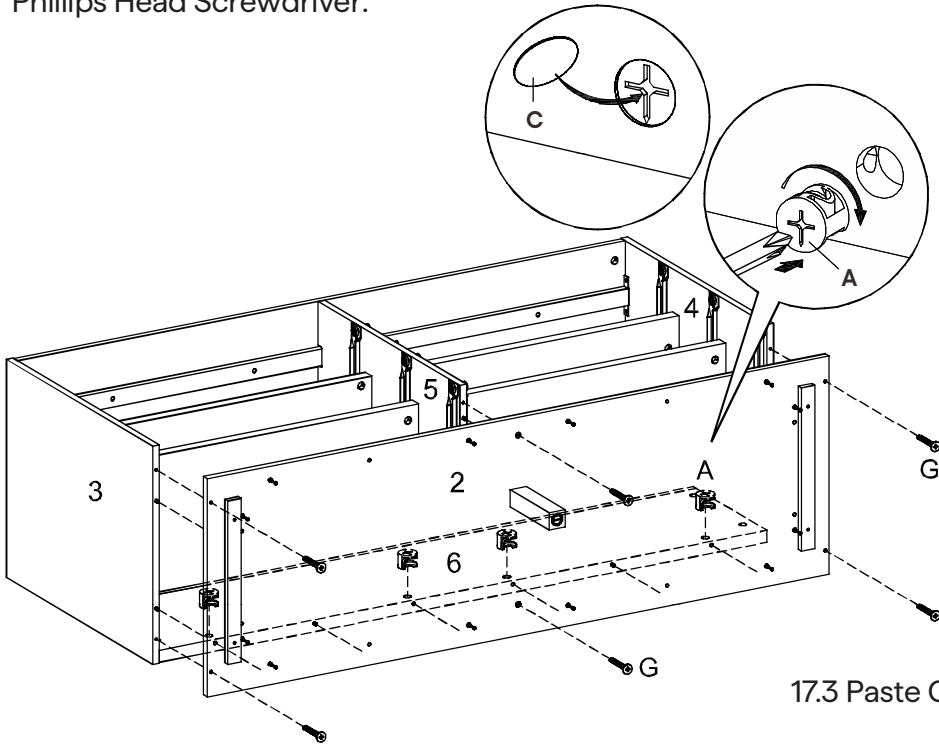
16.1 Attach Bottom Support (12) to Bottom Board (2) using screw (L).

16.2 Attach Middle Leg (29) to Bottom Board (2) using screw (G).



17.1 Attach Bottom Board (2) to the Assembled unit using screw (G).

17.2 Insert Cam Lock (A) to Rear Board (6), then tighten it using Phillips Head Screwdriver.



HARDWARE

- A** Cam Lock Ø15mm x4
- C** Cam Sticker (Oak) x4
- G** Screw 10 x 33.5mm x6

COMPONENTS

- 2** Bottom Board x1
- 3** Left Board x1
- 4** Right Board x1
- 5** Divider Board x1
- 6** Rear Board x1

TOOLS

- 1** Phillips Head Screwdriver x1

17.3 Paste Cam Sticker (C) to the Cam Lock (A).

STEP 18

18.1 Attach Front Support (9) and Rear Support (10) to side support (11) and Middle Support (28) as shown.

18.2 Insert Cam Lock (A) to the assembled unit, then tighten it using Phillips Head Screwdriver.

18.3 Paste Cam Sticker (M) to the Cam Lock (A).

HARDWARE

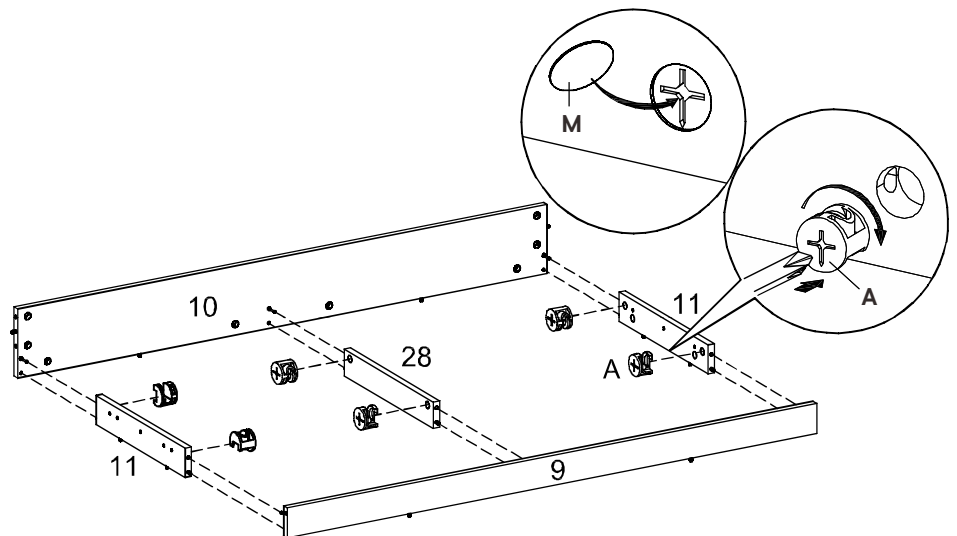
- A** Cam Lock Ø15mm x6
- M** Cam Sticker (White) x6

COMPONENTS

- 9** Front Support x1
- 10** Rear Support x1
- 11** Side Support x2
- 28** Middle Support x1

TOOLS

- 1** Phillips Head Screwdriver x1



HARDWARE

A Cam Lock Ø15mm	x6
G Screw 10 x 33.5mm	x6
M Cam Sticker (White)	x6

COMPONENTS

7 Left Leg	x1
8 Right Leg	x1
9 Front Support	x1
10 Rear Support	x1
11 Side Support	x2

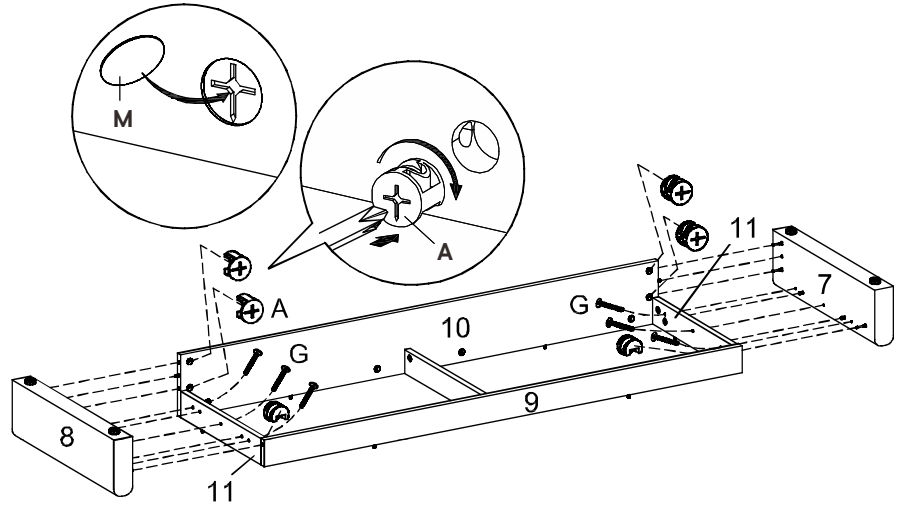
TOOLS

1 Phillips Head Screwdriver	x1
------------------------------------	----

19.1 Attach Left Leg (7) and Right Leg (8) to the Assembled unit using screw (G).

19.2 Insert Cam Lock (A) to the Assembled unit, then tighten it using Phillips Head Screwdriver.

19.3 Paste Cam Sticker (M) to the Cam Lock (A).



STEP 20

HARDWARE

A Cam Lock Ø15mm	x12
M Cam Sticker (White)	x12

COMPONENTS

2 Bottom Board	x1
9 Front Support	x1
10 Rear Support	x1
11 Side Support	x2

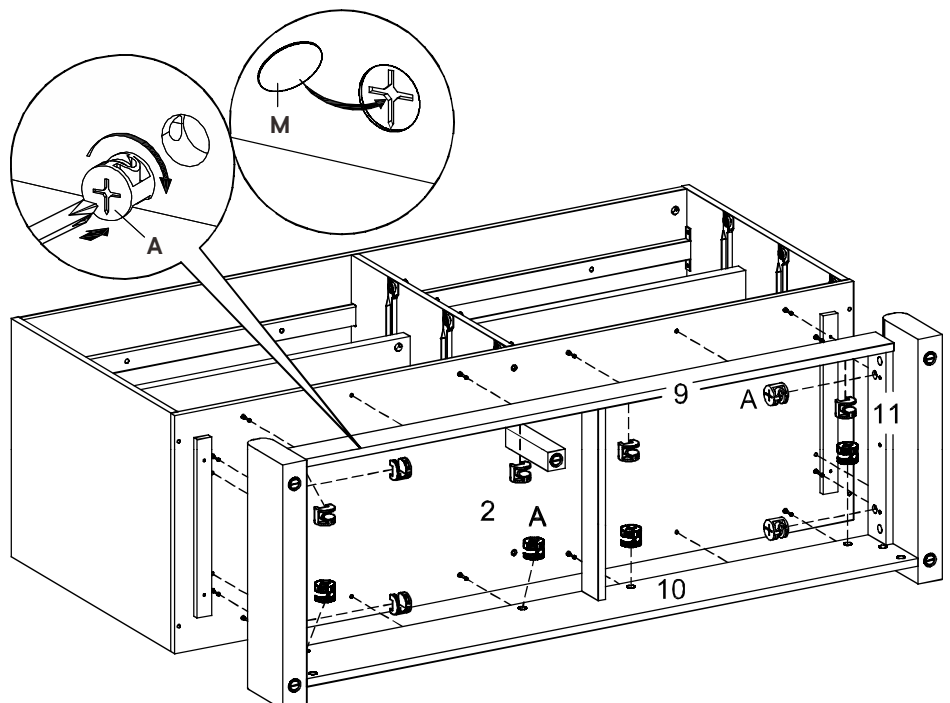
TOOLS

1 Phillips Head Screwdriver	x1
------------------------------------	----

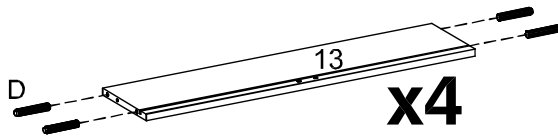
20.1 Attach Bottom Support assembled to the bottom side of the assembled unit as shown,

20.2 Insert Cam Lock (A) to the Assembled unit, then tighten it using Phillips Head Screwdriver.

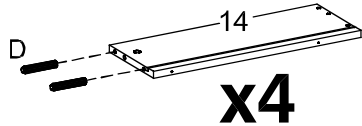
19.3 Paste Cam Sticker (M) to the Cam Lock (A).



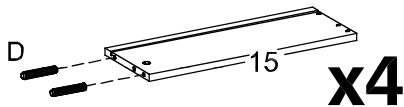
21.1 Insert Plastic Dowel (D) into Top Rear Drawer (13) as shown. Repeat to the other three piece.



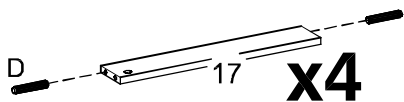
22.2 Insert Plastic Dowel (D) into Top Left Drawer (14) as shown. Repeat to the other three piece.



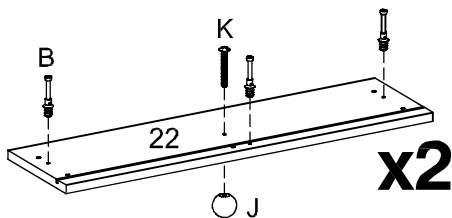
22.3 Insert Plastic Dowel (D) into Top Right Drawer (15) as shown. Repeat to the other three piece.



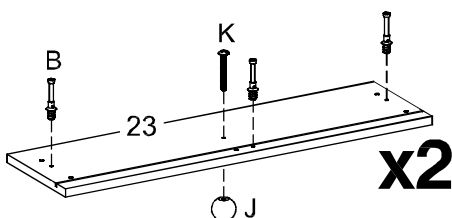
22.4 Insert Plastic Dowel (D) into Bottom Support Drawer (17) as shown. Repeat to the other three piece.



22.5 Insert and screw Cam Bolt (B) into Top Left Front Drawer (22) as shown. Attach Handle (J) to Top Left Front Drawer (22) using screw (K). Repeat to the other piece.



22.6 Insert and screw Cam Bolt (B) into Top Right Front Drawer (23) as shown. Attach Handle (J) to Top Right Front Drawer (23) using screw (K). Repeat to the other piece.



HARDWARE

B	Cam Bolt $\varnothing 7.5 \times 32\text{mm}$	x12
D	Plastic Dowel M6 x 30mm	x40
J	Handle	x4
K	Screw 6 x 22mm	x4

COMPONENTS

13	Top Rear Drawer	x4
14	Top Left Drawer	x4
15	Top Right Drawer	x4
17	Bottom Support Drawer	x4
22	Top Left Front Drawer	x2
23	Top Right Front Drawer	x2

TOOLS

1	Phillips Head Screwdriver	x1
----------	---------------------------	----

HARDWARE

G Screw 10 x 33.5mm x12

COMPONENTS

13 Top Rear Drawer x4

14 Top Left Drawer x4

15 Top Right Drawer x4

16 Upper Bottom Drawer x4

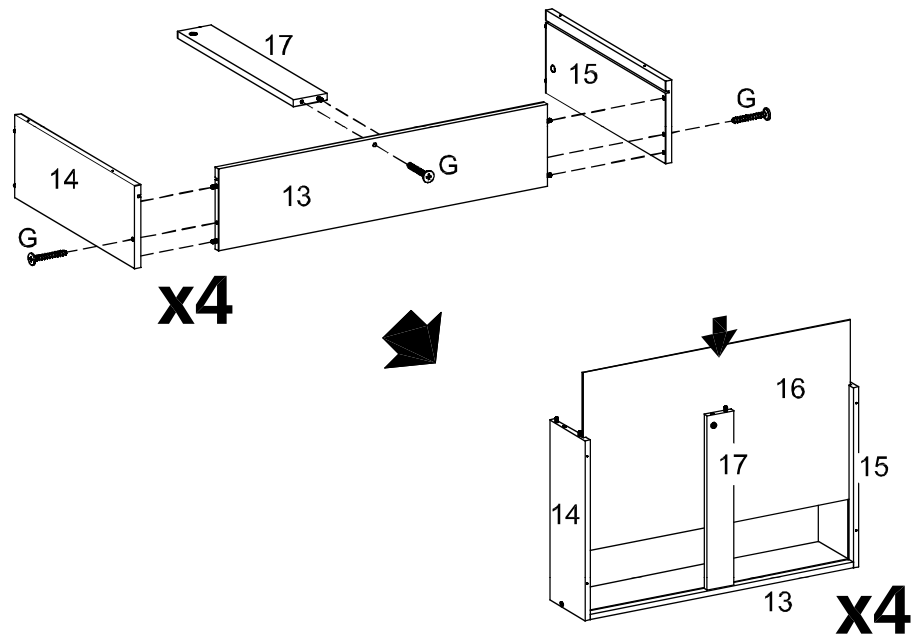
17 Bottom Support Drawer x4

TOOLS

1 Phillips Head Screwdriver x1

22.1 Attach Top Left Drawer (14), Top Right Drawer (15) and Bottom Support Drawer (17) to Top Rear Drawer (13) using screw (G).

22.2 Insert Upper Bottom Drawer (16) to the drawer assembled.



STEP 23

HARDWARE

C Cam Sticker (Oak) x8

I Cam Lock Ø12mm x12

COMPONENTS

14 Top Left Drawer x4

15 Top Right Drawer x4

16 Upper Bottom Drawer x4

17 Bottom Support Drawer x4

22 Top Left Front Drawer x2

23 Top Right Front Drawer x2

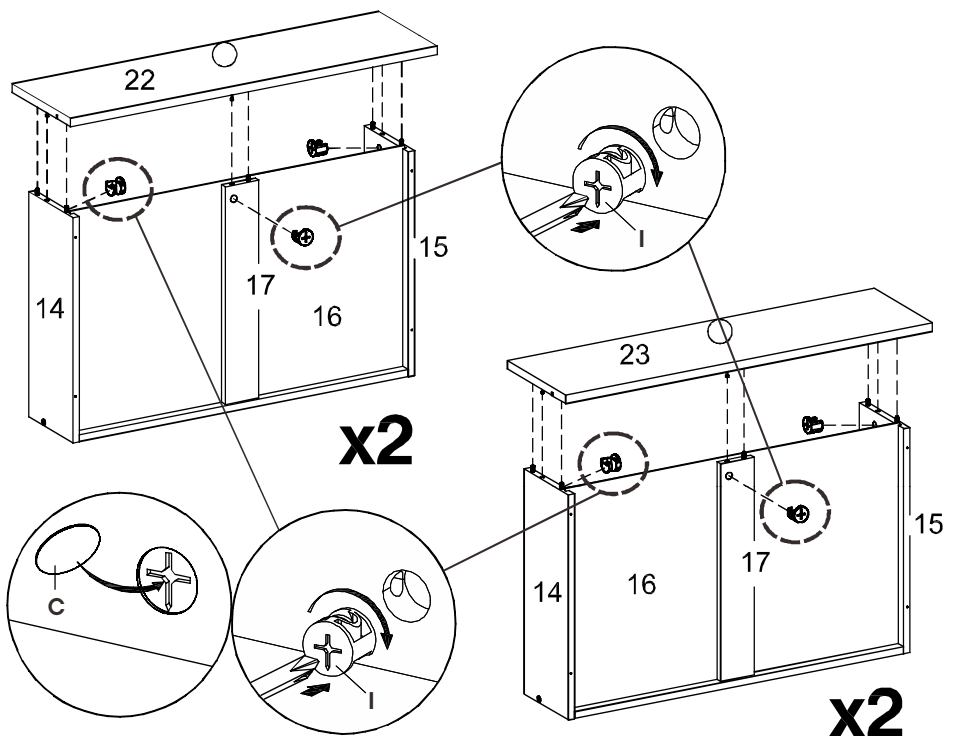
TOOLS

1 Phillips Head Screwdriver x1

23.1 Attach Top Left Front Drawer (22) and Top Right Front Drawer (23) to the drawer assembled as shown.

23.2 Insert Cam Lock (I) to the Drawer assembled, then tighten it using Phillips Head Screwdriver.

23.3 Paste Cam Sticker (C) to the Cam Lock (I).



HARDWARE

- (N)** Screw 4 x 19mm x16
- (O)** Backply Stopper x16

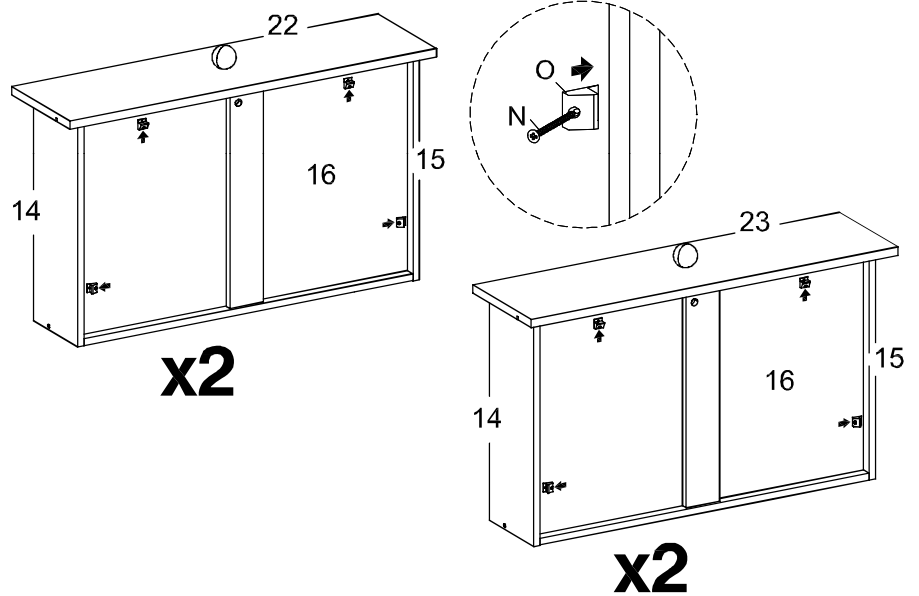
COMPONENTS

- (14)** Top Left Drawer x4
- (15)** Top Right Drawer x4
- (16)** Upper Bottom Drawer x4
- (22)** Top Left Front Drawer x2
- (23)** Top Right Front Drawer x2

TOOLS

- (1)** Phillips Head Screwdriver x1

24.1 Install Backply Stopper (O) to the bottom side of the drawer using screw (N).



STEP 25

HARDWARE

- (F)** Screw 6 x 13mm x16
- (H)** Drawer Rail x4

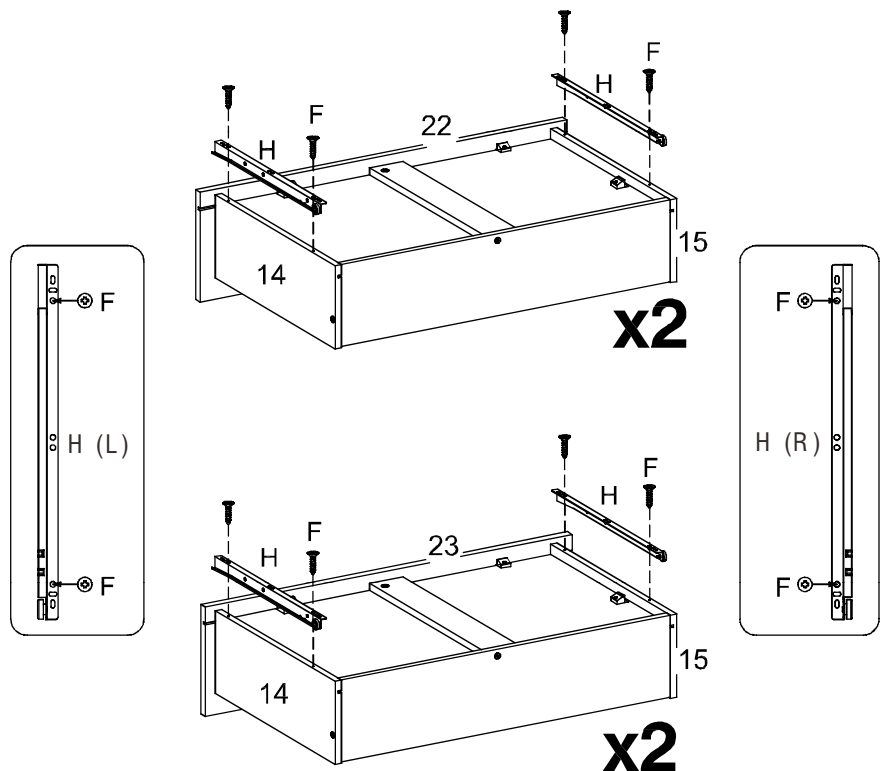
COMPONENTS

- (14)** Top Left Drawer x4
- (15)** Top Right Drawer x4

TOOLS

- (1)** Phillips Head Screwdriver x1

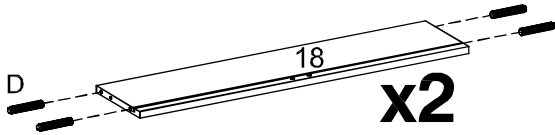
25.1 Install Drawer Rail (H) on the edge of the Drawer assembled using screw (F).



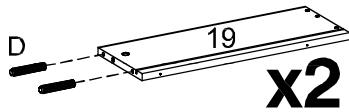
26.1 Insert Plastic Dowel (D) into Bottom Support Drawer (17) as shown. Repeat to the other piece.



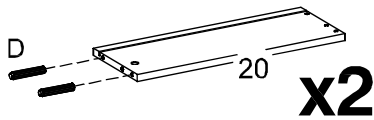
26.2 Insert Plastic Dowel (D) into Bottom Rear Drawer (18) as shown. Repeat to the other piece.



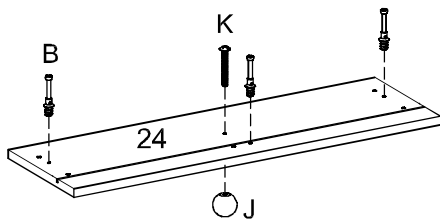
26.3 Insert Plastic Dowel (D) into Bottom left Drawer (19) as shown. Repeat to the other piece.



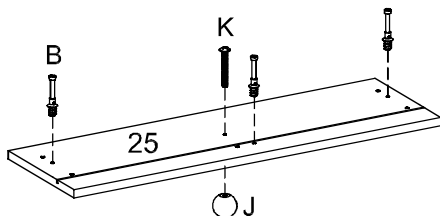
26.4 Insert Plastic Dowel (D) into Bottom Right Drawer (20) as shown. Repeat to the other piece.



26.5 Insert and screw Cam Bolt (B) into Bottom Left Front Drawer (24) as shown. Attach Handle (J) to Bottom Left Front Drawer (24) using screw (K).



26.6 Insert and screw Cam Bolt (B) into Bottom Right Front Drawer (25) as shown. Attach Handle (J) to Bottom Right Front Drawer (25) using screw (K).



HARDWARE

B	Cam Bolt Ø7.5 × 32mm	x6
D	Plastic Dowel M6 x 30mm	x20
J	Handle	x2
K	Screw 6 x 22mm	x2

COMPONENTS

17	Bottom Support Drawer	x2
18	Bottom Rear Drawer	x2
19	Bottom Left Drawer	x2
20	Bottom Right Drawer	x2
24	Bottom Left Front Drawer	x1
25	Bottom Right Front Drawer	x1

TOOLS

1	Phillips Head Screwdriver	x1
----------	---------------------------	----

HARDWARE

G Screw 10 x 33.5mm x6

COMPONENTS

17 Bottom Support Drawer x2

18 Bottom Rear Drawer x2

19 Bottom Left Drawer x2

20 Bottom Right Drawer x2

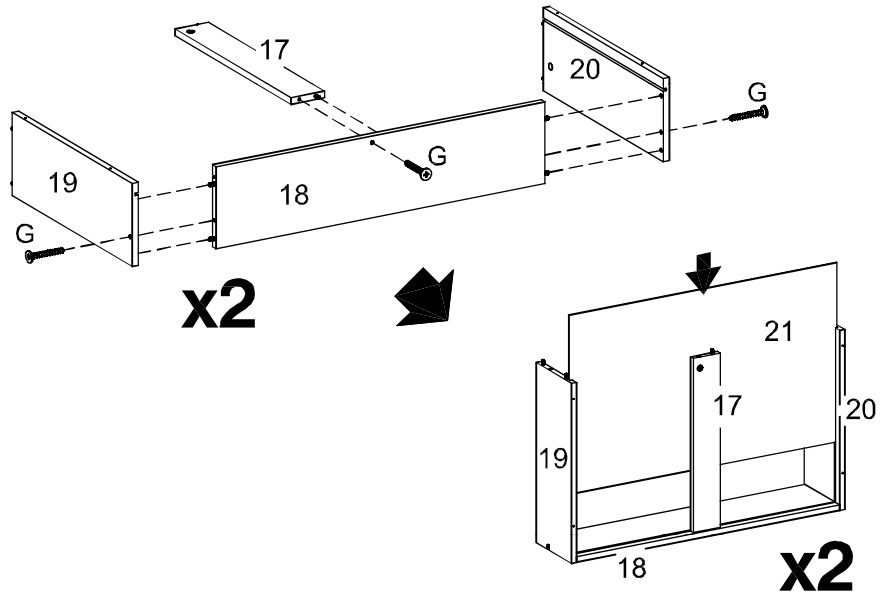
21 Lower Bottom Drawer x2

TOOLS

1 Phillips Head Screwdriver x1

27.1 Attach Bottom Left Drawer (19), Bottom Right Drawer (20) and Bottom Support Drawer (17) to Bottom Rear Drawer (18) using screw (G).

27.2 Insert Upper Bottom Drawer (16) to the drawer assembled.



STEP 28

HARDWARE

I Cam Lock Ø12mm x6

M Cam Sticker (White) x4

COMPONENTS

17 Bottom Support Drawer x2

19 Bottom Left Drawer x2

20 Bottom Right Drawer x2

21 Lower Bottom Drawer x2

24 Bottom Left Front Drawer x1

25 Bottom Right Front Drawer x1

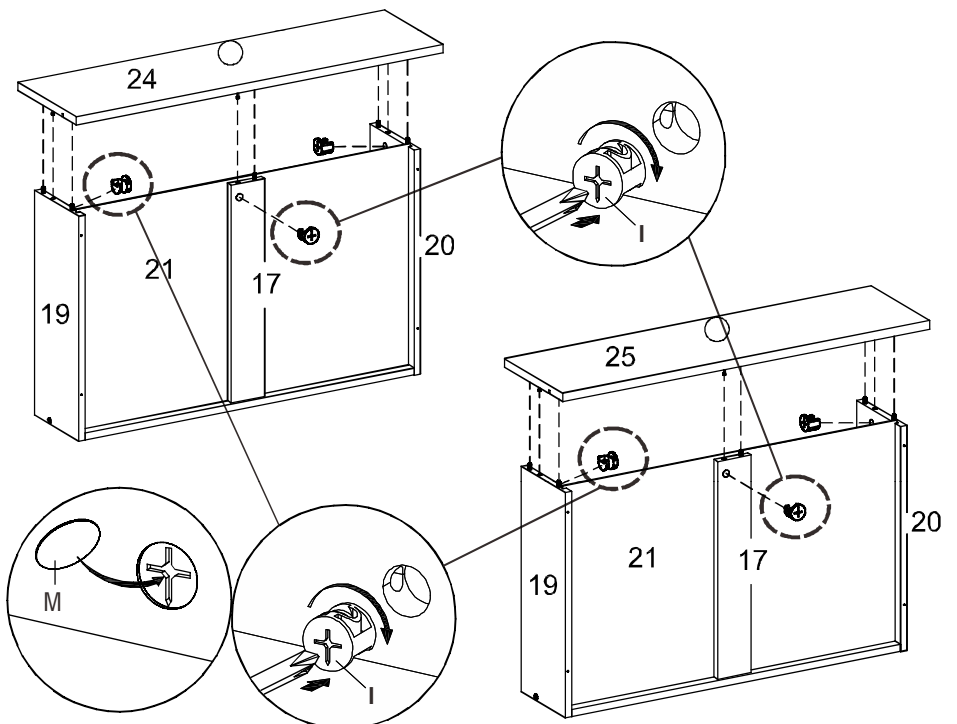
TOOLS

1 Phillips Head Screwdriver x1

28.1 Attach Bottom Left Front Drawer (24) and Bottom Right Front Drawer (25) to the drawer assembled as shown.

28.2 Insert Cam Lock (I) to the Drawer assembled, then tighten it using Phillips Head Screwdriver.

28.3 Paste Cam Sticker (M) to the Cam Lock (I).



HARDWARE

- (N)** Screw 4 x 19mm x8
- (O)** Backply Stopper x8

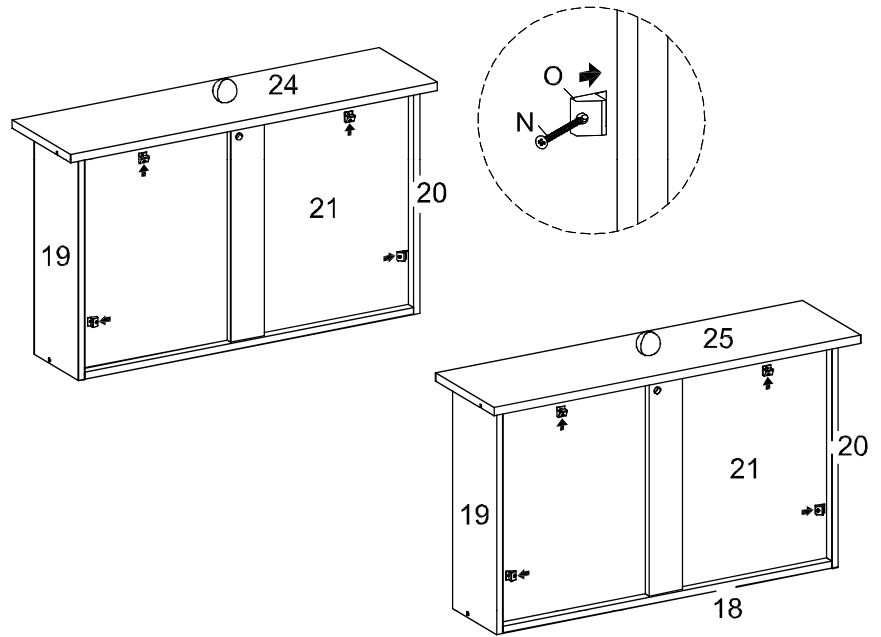
COMPONENTS

- (19)** Bottom Left Drawer x2
- (20)** Bottom Right Drawer x2
- (21)** Lower Bottom Drawer x2
- (24)** Bottom Left Front Drawer x1
- (25)** Bottom Right Front Drawer x1

TOOLS

- (1)** Phillips Head Screwdriver x1

29.1 Install Backply Stopper (O) to the bottom side of the drawer using screw (N).



STEP 30

HARDWARE

- (F)** Screw 6 x 13mm x8
- (H)** Drawer Rail x2

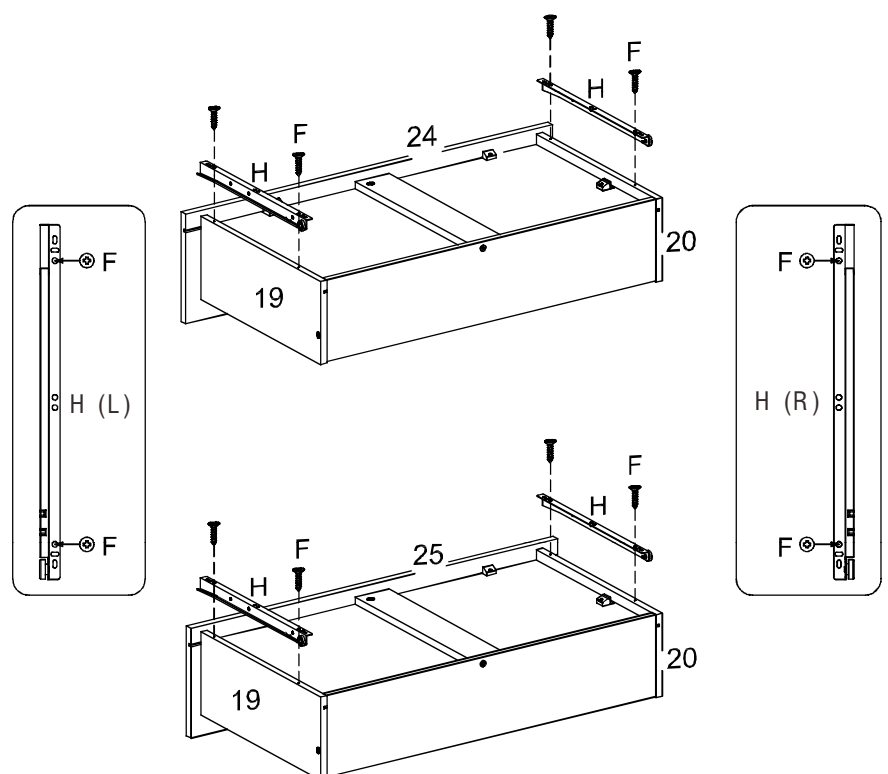
COMPONENTS

- (19)** Bottom Left Drawer x2
- (20)** Bottom Right Drawer x2

TOOLS

- (1)** Phillips Head Screwdriver x1

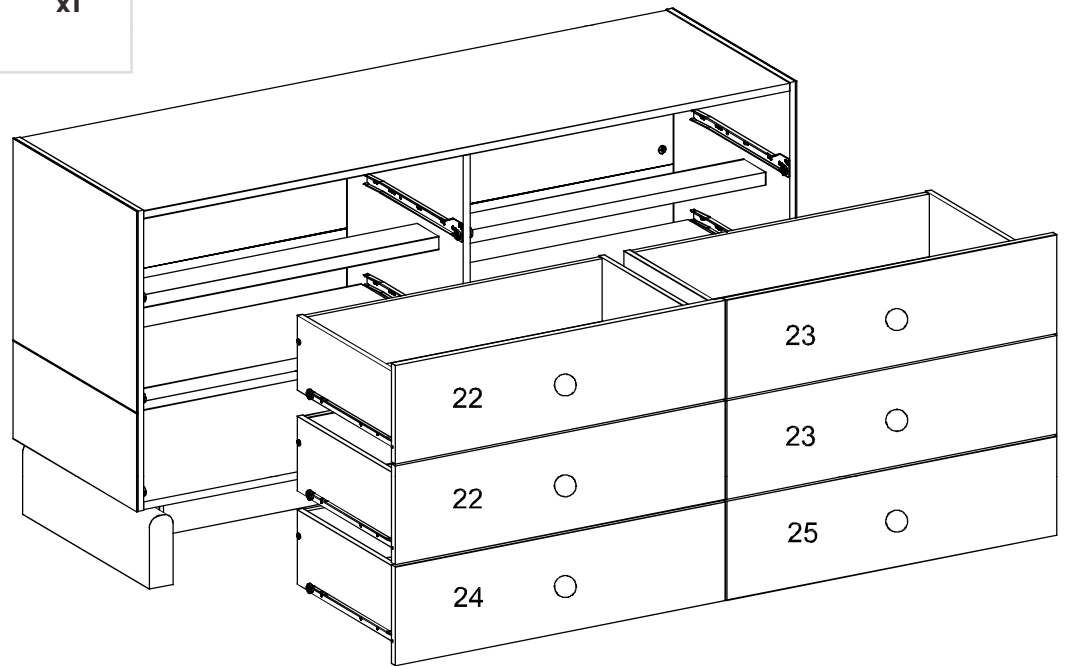
30.1 Install Drawer Rail (H) on the edge of the Drawer assembled using screw (F).



COMPONENTS

- 22 Top Left Drawer x2
- 23 Top Right Drawer x2
- 24 Bottom Left Drawer x1
- 25 Bottom Right Drawer x1

31.1 Insert all the drawers to the cabinet as shown,

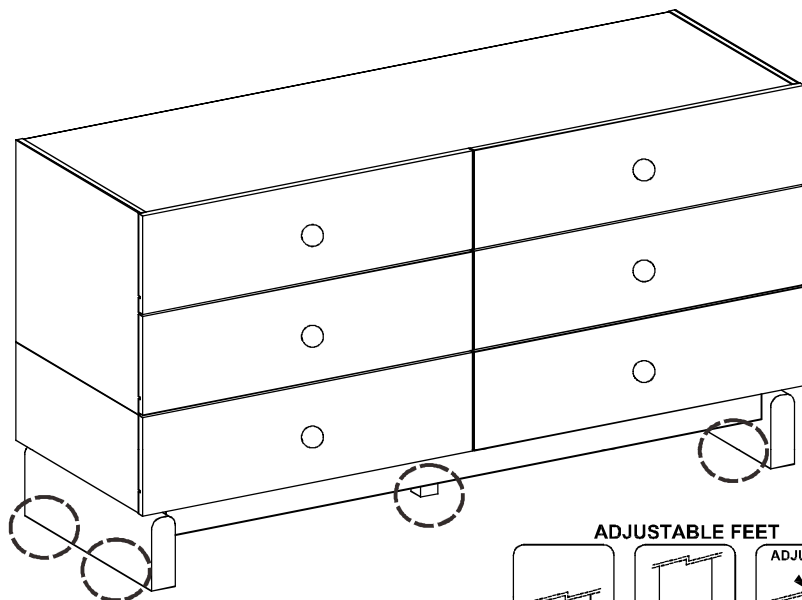


STEP 32

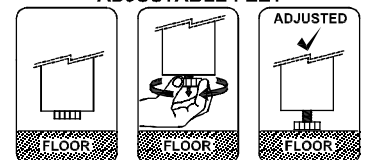
COMPONENTS

- 7 Left Leg x1
- 8 Right Leg x1
- 29 Middle Leg x1

32.1 Adjust the leg until flat with floor



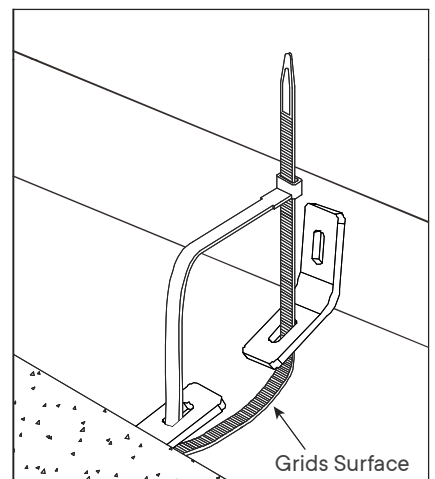
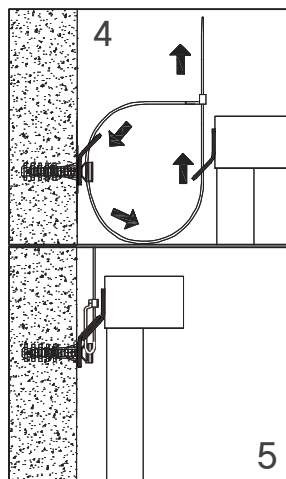
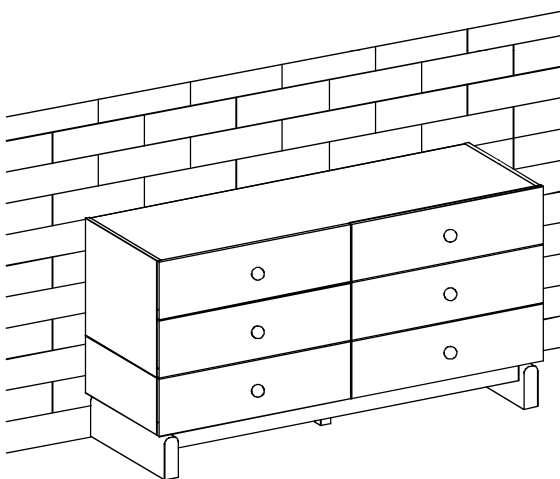
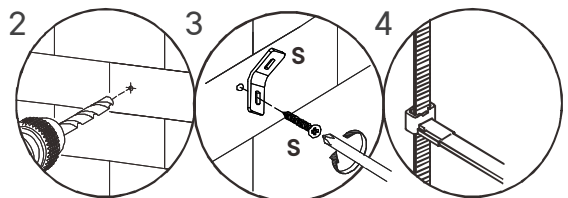
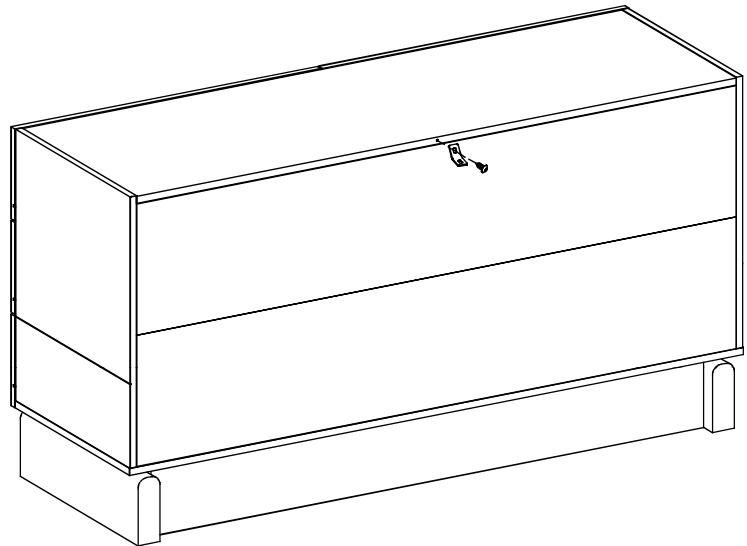
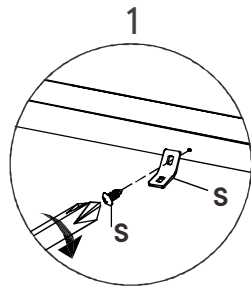
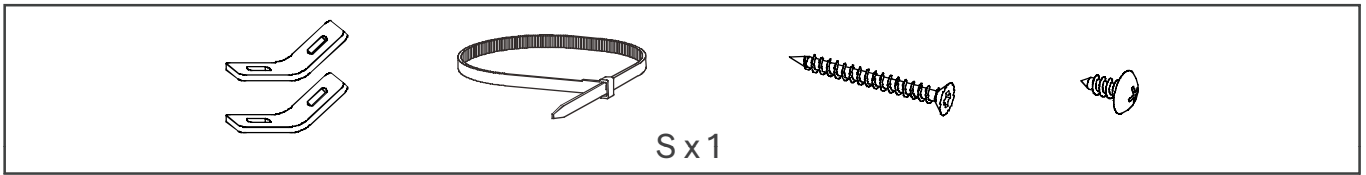
ADJUSTABLE FEET



TIPPING RESTRAINTS KIT INSTALLATION GUIDANCE

Different wall materials require unique wall fasteners.

Please consult your local hardware store to ensure you are using the correct hardware for you wall type.



Installation Instructions :

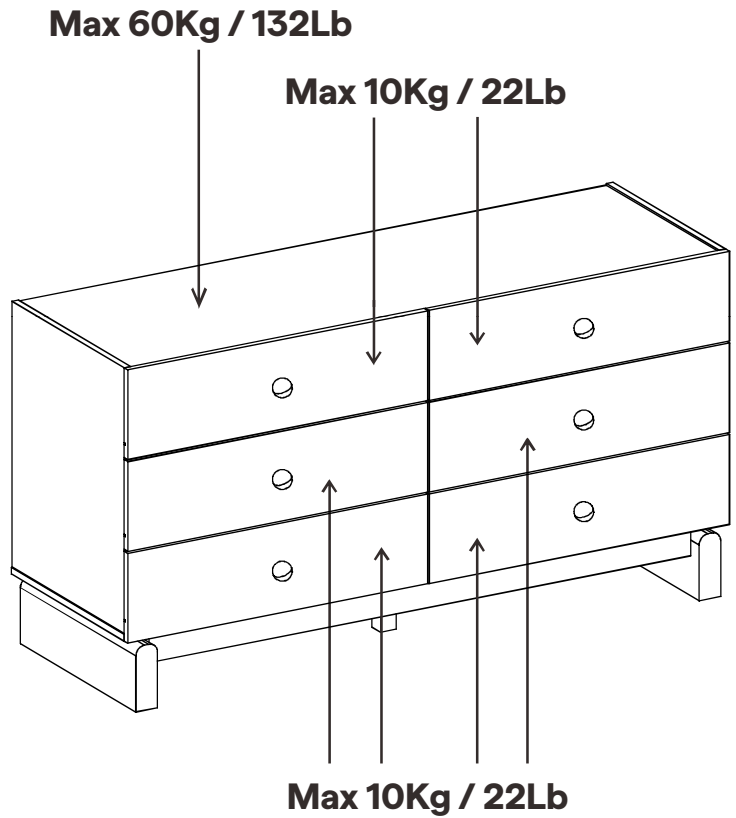
1. Attach bracket (S) securely to the back top of the furniture using short screw (S) provided.
2. Please make a hole on the wall for attach the bracket (S) to the back of unit.
3. Attach bracket (S) on the wall using long screw (S) as shown.
Locate the other bracket (S) on the wall. Place furniture into position so both brackets (S) as shown.
4. Lace the end of the restrains strap through the larger hole in each bracket. Ensure the restrains strap with grids surface facing the inner loops. Bring both ends together and slide the flat end through the locking end and draw it through until all slack is removed.
5. Make sure that the strap is securely laced & locked.

Great job!

Dresser assembly is complete.

CARING FOR YOUR ITEM

- Indoor use only.
- Not contract grade.
- Clean using a non-abrasive cloth and a mild cleaner.
- Never use harsh chemicals, as they could damage the finish or integrity of the item.



CONNECT WITH US!

Tag us @modway_furniture and #modway for a chance to be featured.

modway



Questions? Contact us!
609.256.9000
cs@modway.com