

EASTMAN®



GAS PRESSURE TEST GAUGES

TECHNICAL DATA

CONSTRUCTION:

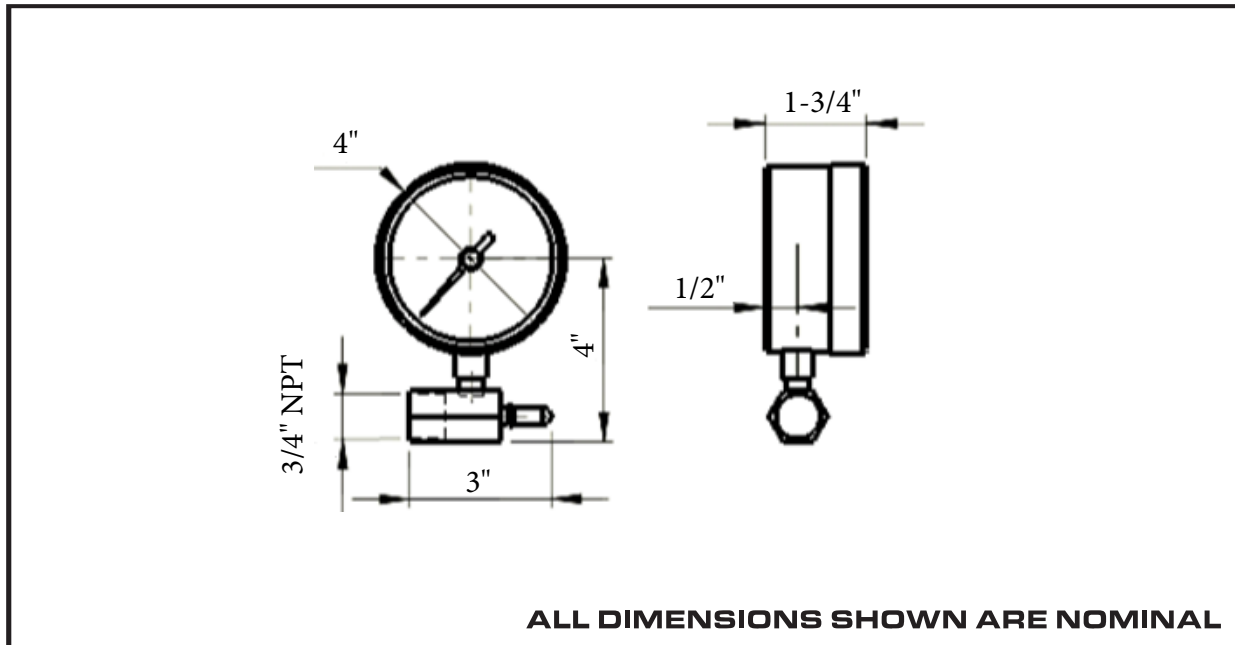
Steel Case
3/4" NPT Connection
4" Face with pressure snubber
Copper Alloy element
Max Temperature range -4 to 140°F
Brass air valve

APPLICATIONS:

For gaseous and liquid media that are not highly viscous or crystallizing
Pneumatics
Heating and Air conditioning
Medical engineering

<u>PART#</u>	<u>DESCRIPTION</u>
45314	Gas Test Guage 0-5 PSI
45315	Gas Test Guage 0-15 PSI

Brand: EASTMAN
Country of Origin: China



<u>Job Name:</u>	<u>Item #</u>
<u>Location:</u>	
<u>Engineer:</u>	<u>Contractor</u>
<u>PO #</u>	<u>Tag:</u>