



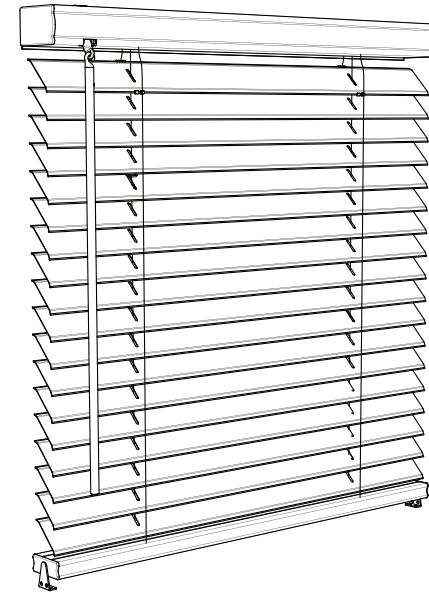
PROJECT SOURCE and logo design are trademarks or registered trademarks of LF, LLC. All rights reserved.

ITEM #1137688 / 1137689 / 1137690 / 1137691 / 1137692 / 1137693 / 1137694 / 1137695 / 1137696 / 1137697 / 1137698 / 1137699 / 1137700 / 1137701 / 1137702 / 1137703 / 1137704 / 1137705 / 1137706 / 1137707 / 1137708 / 1137709 / 4136501 / 4136502 / 4136503 / 4136504 / 4136505 / 4136506 / 4136507 / 4136508 / 4136509 / 4136510 / 4136511 / 4136512 / 4136513 / 4136514 / 4136515 / 4136516 / 4136517 / 4136518 / 4136519 / 4136520 / 4136521 / 4136522
MODEL #26980 - 27001 / 94665 - 94686

2 INCH CORDLESS BLIND

[Español p. 13](#)

ATTACH YOUR RECEIPT HERE



Serial Number _____

Purchase Date _____

Thank you for purchasing this ALLEN+ROTH product.
Questions, problems or missing parts?
Before returning, contact us on:
866-389-8827, 8 a.m. - 8 p.m., EST or ascs@lowes.com.

XXXXXXX

TABLE OF CONTENTS

Package Contents..... 2

Hardware Contents..... 3

Preparation..... 3

Assembly Instructions..... 3

Adjust Length Of Blind..... 6

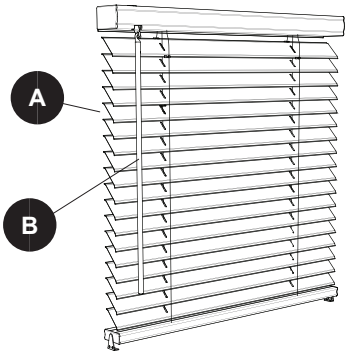
Operating Instructions..... 8

Care and Maintenance 9

Warranty..... 9

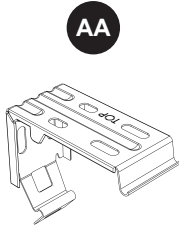



Replacement Parts List..... 9

PACKAGE CONTENTS



PART	DESCRIPTION	QUANTITY
A	Blind	1
B	Wand	1

HARDWARE CONTENTS

 <p>AA</p>	 <p>BB</p>	 <p>CC</p>	 <p>DD</p>
<p>Mounting Bracket 23 in. - 29 in. Qty. 2 30 in. - 47 in. Qty. 3 48 in. - 71 in. Qty. 4</p>	<p>Large Screw 23 in. - 29 in. Qty. 4 30 in. - 47 in. Qty. 6 48 in. - 71 in. Qty. 8</p>	<p>Medium Screw Qty. 4</p>	<p>Hold Down Bracket Qty. 2</p>

PREPARATION

Before beginning assembly of product, make sure all parts are present. Compare parts with package contents list and hardware contents list. If any part is missing or damaged, do not attempt to assemble, install or operate the product.

Estimated Assembly Time: 30 minutes

Tools Required for Assembly (not included): Pencil, drill, 1/16 in. bit, safety goggles, Phillips screwdriver, tape measure, level.

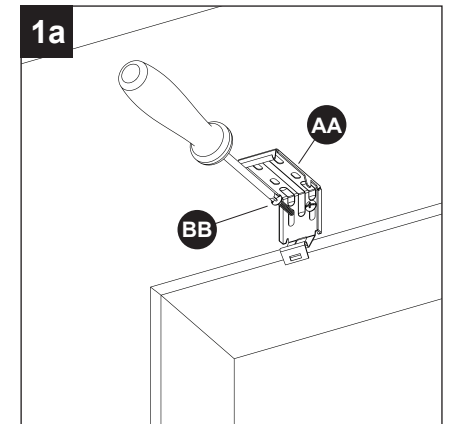
Helpful Tools (not included): Step stool.

ASSEMBLY INSTRUCTIONS

1a. For outside mounting, clip the mounting (AA) onto the headrail of blind (A). Hold blind (A) level at the height desired and center it over the window opening. Mark the exact location of each mounting bracket (AA) with a pencil. Remove the mounting brackets (AA) from the headrail of blind (A). Pre-drill the screw holes and then securing bracket (AA) to the wall or window molding with large screws (BB).

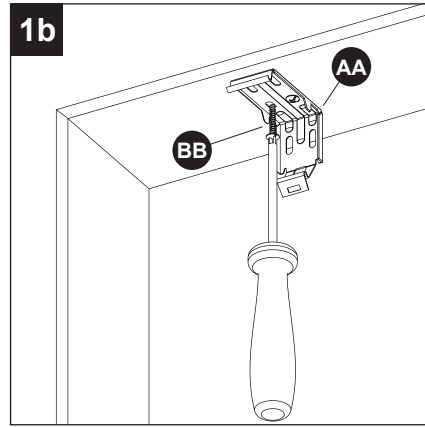
Hardware Used

AA Mounting Bracket 





ASSEMBLY INSTRUCTIONS

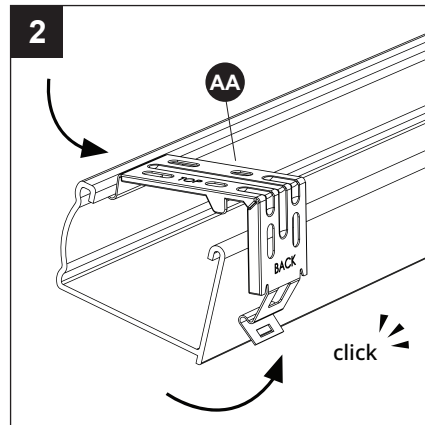
1b. For inside mounting, clip the mounting brackets (AA) onto the headrail of blind (A). Hold blind (A) in place and make pencil mark at the rear of each mounting bracket (AA). Remove the mounting brackets (AA) from the headrail. Pre-drill the screw holes and then secure the mounting bracket (AA) to the wall or window molding with large screws (BB).




Hardware Used

- AA** Mounting Bracket 
- BB** Large Screw 

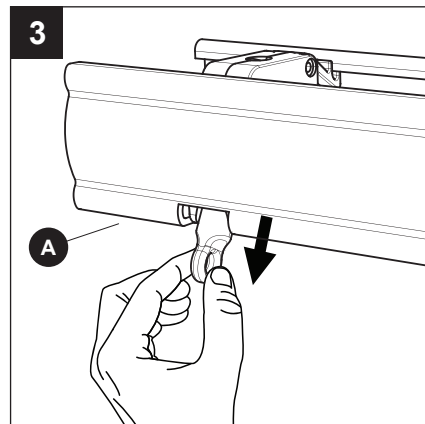
2. Lift the headrail of blind (A) into position such that the inner front edge of the headrail slides into the slot at the front of each mounting bracket (AA). Push the headrail upward until the flexible tab at the bottom of each mounting bracket (AA) snaps onto the back of the headrail. Check carefully to assure each mounting bracket (AA) is properly snapped into place.



Hardware Used

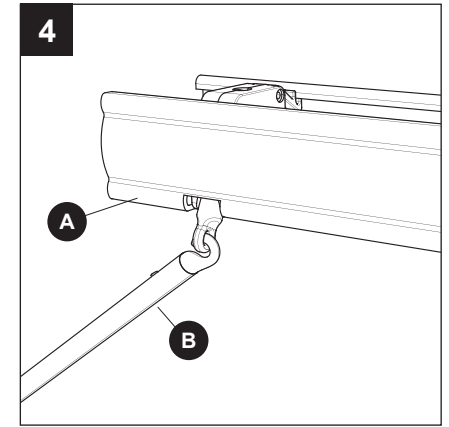
- AA** Mounting Bracket 

3. Install wand (B) by GRIPPING AND PULLING the wand tilter, located on the left hand side of blind (A) headrail.





ASSEMBLY INSTRUCTIONS

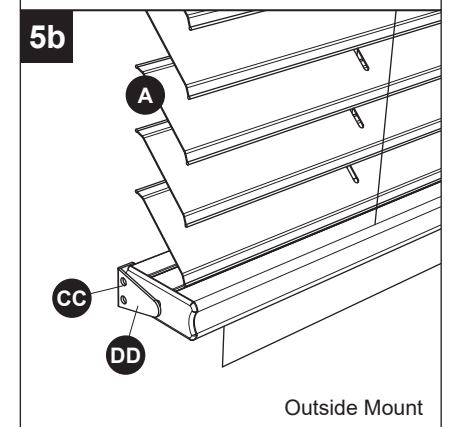
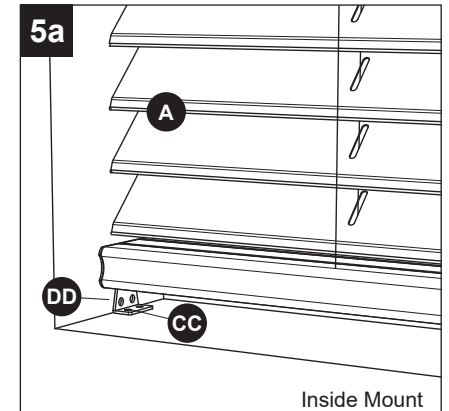
4. Hook wand (B) into the wand tilter.



5. **OPTIONAL:** To install hold down brackets (DD), lower blind (A) to desired position. Screw hold down brackets (DD) into wall or window sill using medium screws (CC) and attach blind (A) to the hole in the cap on bottom rail.

Hardware Used

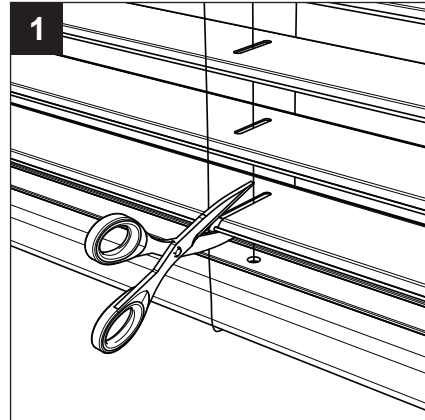
- CC** Medium Screw  x 4
- DD** Hold Down Bracket  x 2



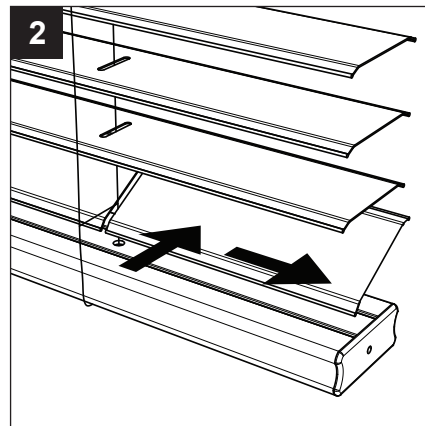
ADJUST LENGTH OF BLIND

CAUTION: REMOVAL OF MORE THAN 5 SLATS WILL VOID THE WARRANTY.
CAUTION: DO NOT CUT THE VERTICAL LADDER STRINGS, AS THIS WILL VOID THE WARRANTY.

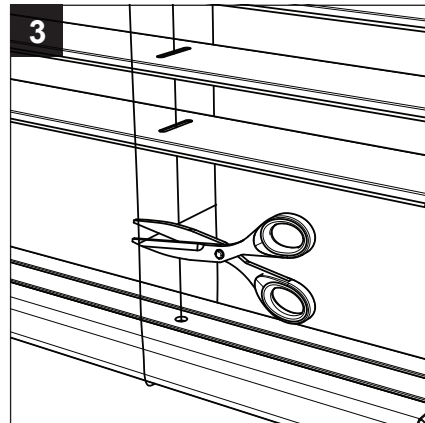
1. Lower blind (A) to maximum length. Cut the desired number of the bottom most slats, leaving the bottom rail as is. Blind (A) is able to shorten MAX 5 slats (up to 10") with no operation concerns.



2. Remove the cut slats.

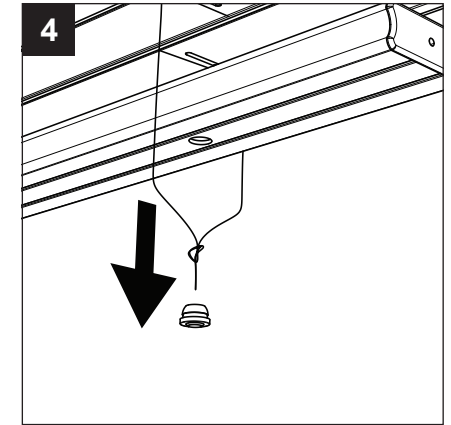


3. Cut the excess horizontal ladder strings.
CAUTION: Do not cut the vertical ladder strings, as this will void the warranty.

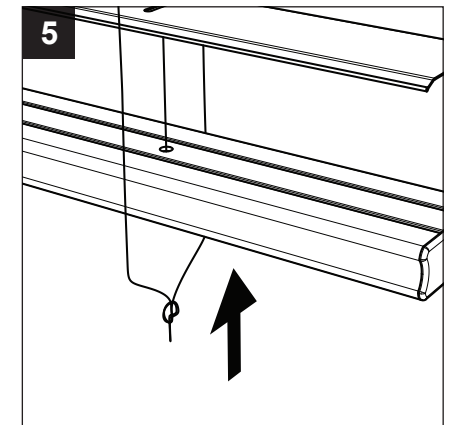


ADJUST LENGTH OF BLIND

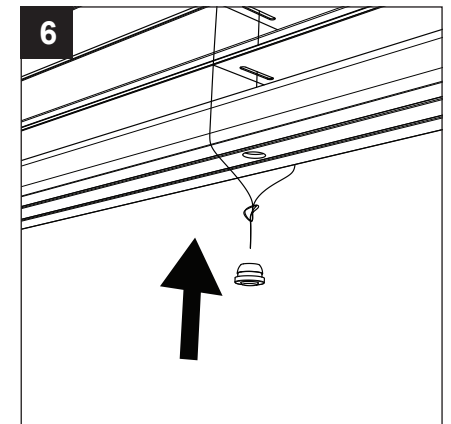
4. Remove the plugs from the bottom rail with a flathead screw driver (not included).



5. Slide the bottom rail up to the horizontal ladder string you didn't cut in step 3.

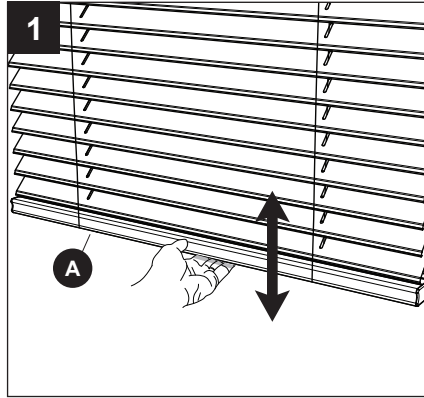


6. Twist the cords back into the bottom rail and replace plugs.

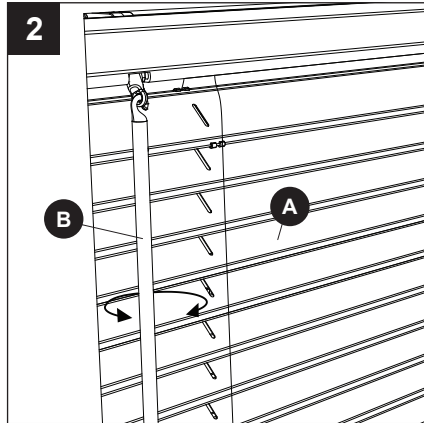


OPERATING INSTRUCTIONS

1. Raise or lower the blind (A) by gripping the bottom rail and lifting or lowering the bottom rail to the desired height.



2. Open or close the blind (A) slats by turning the wand (B) until the slats are opened or closed to the desired amount.



CARE AND MAINTENANCE

Clean using damp cloth or vacuum using proper attachments or duster.

WARRANTY

For a period of one (1) year from the date of purchase, the manufacturer will replace this window covering with one of equal value if this window covering is found to be defective in material or workmanship. This warranty does not cover damage or defects caused by or resulting from improper maintenance, negligent or improper use, abuse, neglect, accidents, act of God, alteration, commercial use, installation, removal or reinstallation. This warranty is restricted to normal consumer use within the United States and Canada. To obtain warranty service, contact our customer service department at **866-389-8827**.

REPLACEMENT PARTS LIST

For replacement parts, call our customer service department at **866-389-8827**, 8 a.m. - 8 p.m., EST, Monday - Sunday. You may also contact us at ascs@lowes.com.

PART	DESCRIPTION	PART #	COVERED UNDER WARRANTY
	Hardware Box	79074-3CZ0WTHW2LA	NO