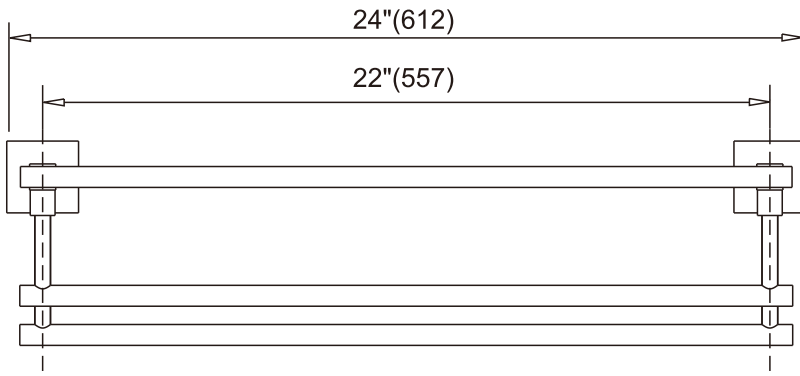
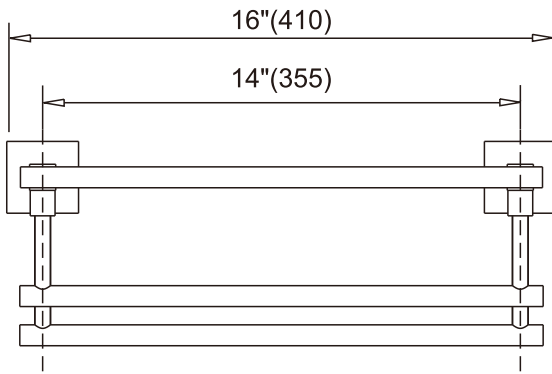


# Towel rack

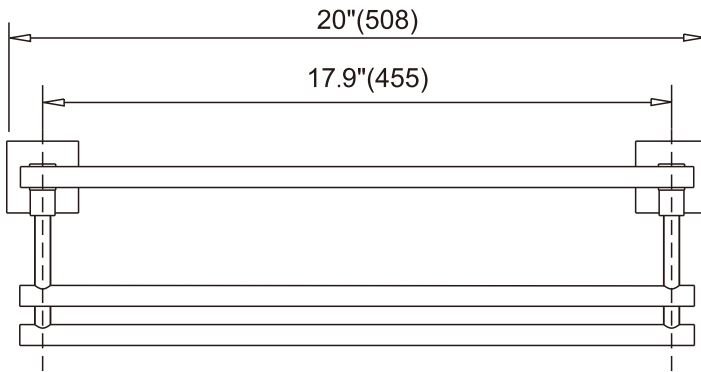
4050102-24



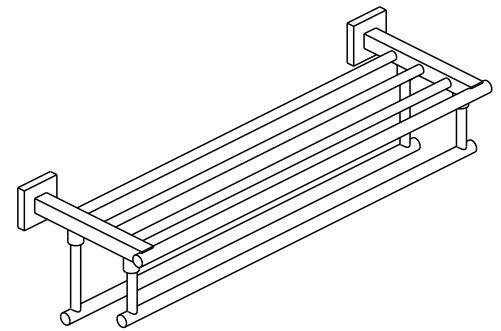
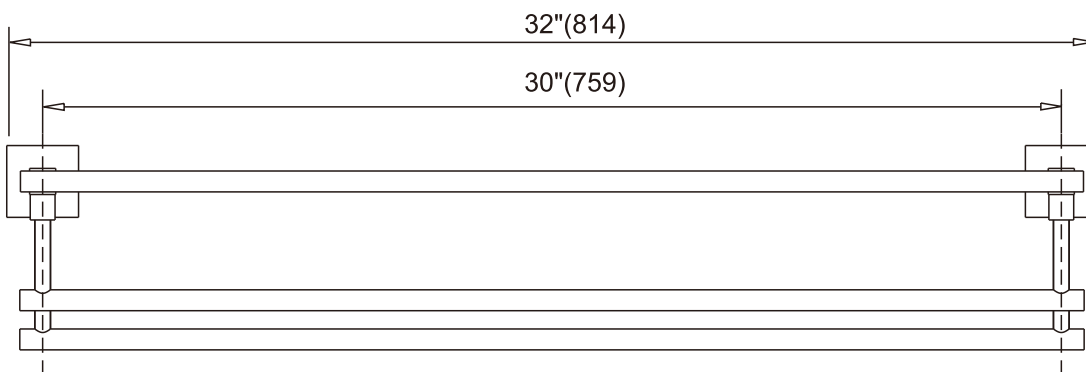
4050102-16



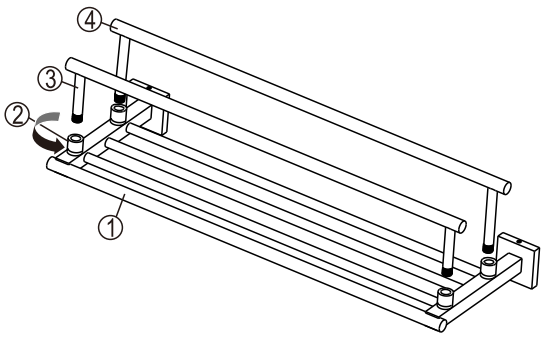
4050102-20



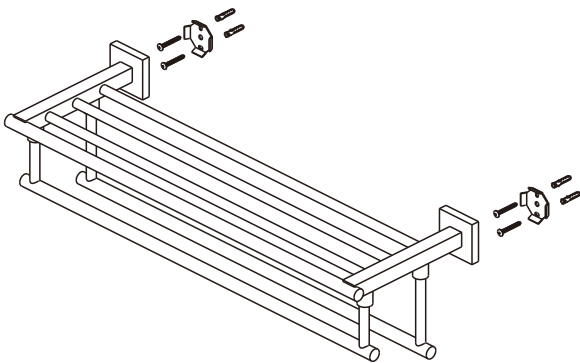
4050102-32



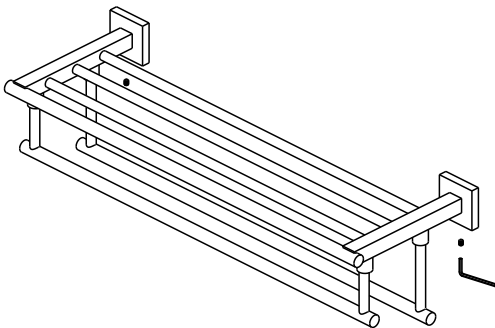
unit:inch (mm)



1. Put the towel bar (3) and (4) to connector (2), tighten the bars by twisting connector (2).
2. Insure the towel bars are firmly installed on the rack.



- Select a location on the vertical wall to install the bracket.
- Mark anchor mounting hole locations on wall as shown, ensure two screw holes are horizontal.
- Drill holes in the finished wall as required.
- Press the anchors (1) into the holes.
- secure the bracket (2) with the self-tapping screws (3).
- Make sure the bulge on bracket upwards



- Slide the extension of the towel bar kit onto the bracket .
- Orient the screw hole of the extension downwards.
- Tighten the screw with the hex wrench to secure the towel bar kit .

**NOTE:**

These products should be located and mounted to a wall. While it is possible to mount them to any surface, a stud or concrete mounted product will yield the best results.

**DANGER:(Risk of personal injury)**

These products are not designed or intended for use as a grab bar or support bar. Do not install any of these products in any area where they are likely to be used inadvertently as a grab bar or support bar.

**Cleaning Instructions:**

To preserve the fine finish of this product, clean only with a soft damp cloth. Dry well. Do not use commercial or abrasive cleaners.