

# Metal Storage shed

Product ID. 7AAGE

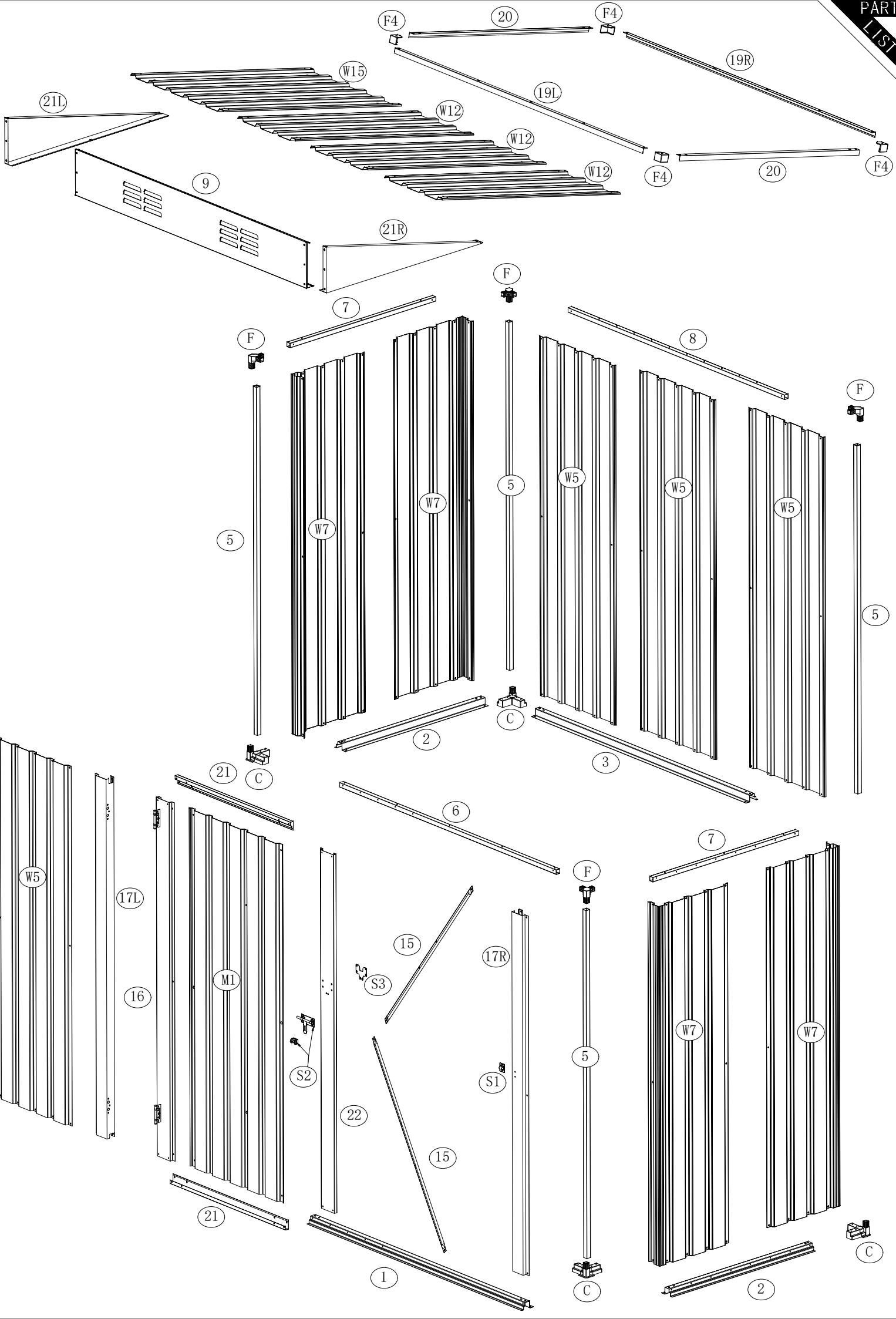







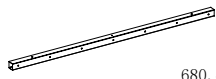
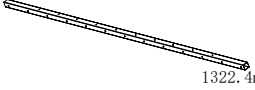
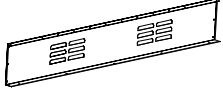

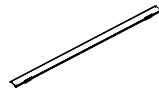

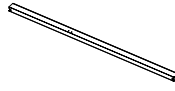



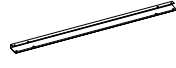


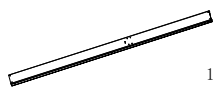
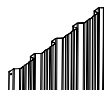

Scan for Support  
[support@garvee.com](mailto:support@garvee.com)


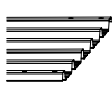
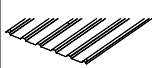
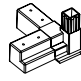
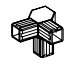


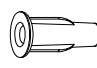

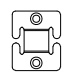
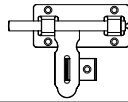
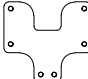
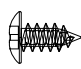



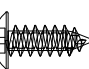

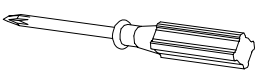






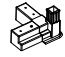

Distributed by  
**GARVEE**.com

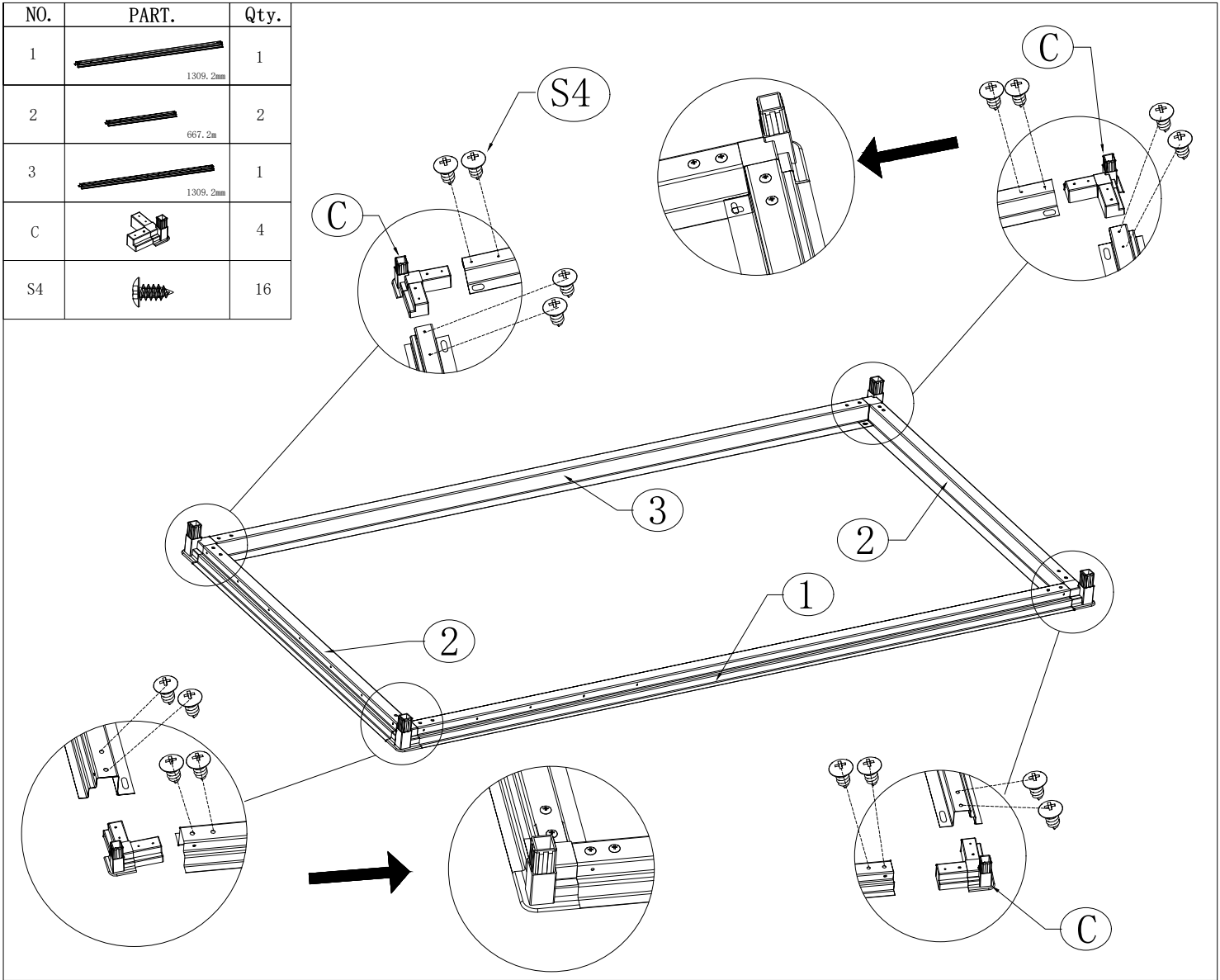





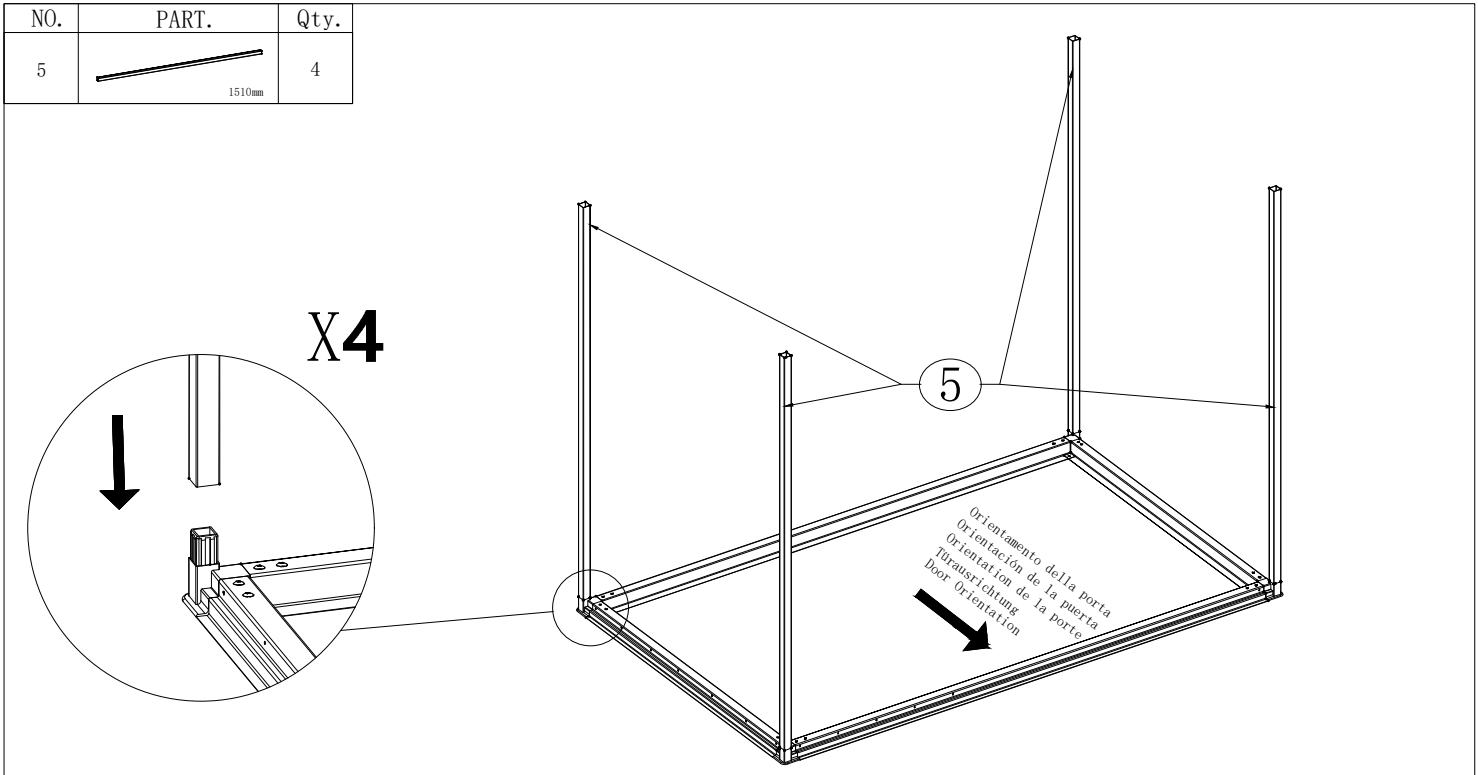
NO.	PART.	Qty.
1	 1309.2mm	1
2	 667.2mm	2
3	 1309.2mm	1
5	 1510mm	4
6	 1322.4mm	1
7	 680.4mm	2
8	 1322.4mm	1
9		1
15	 940.9mm	2
16	 1555mm	1
17L	 1560mm	1
17R	 1560mm	1
19L	 1518mm	1
19R	 1518mm	1
20	 893.5mm	2
21	 705mm	2
21L		1
21R		1
22	 1555mm	1
W5	 1560mm	4
W7		4


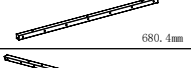



NO.	PART.	Qty.
W12	 885.5mm	3
W15	 885.5mm	1
M1	 1553mm	1
C		4
F		4
F4		4
F7		38
F8		29
F9		2
S1		1
S2		1
S3		1
S4		151
S6		32
S6A		5
S7		31
S8		4
S9		4
S12		1
S15		1

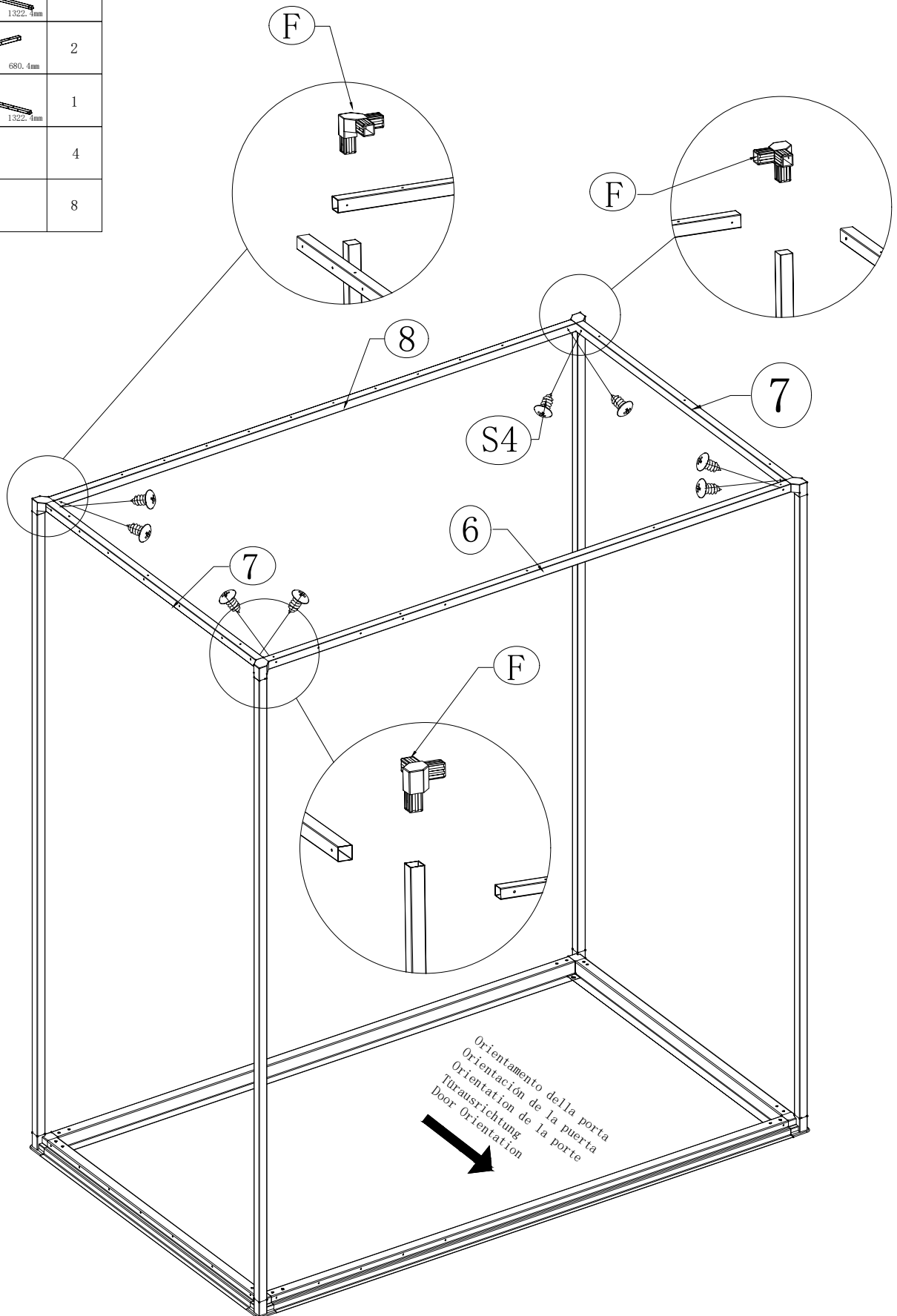
NO.	PART.	Qty.
1	 1309, 2mm	1
2	 667, 2mm	2
3	 1309, 2mm	1
C		4
S4		16







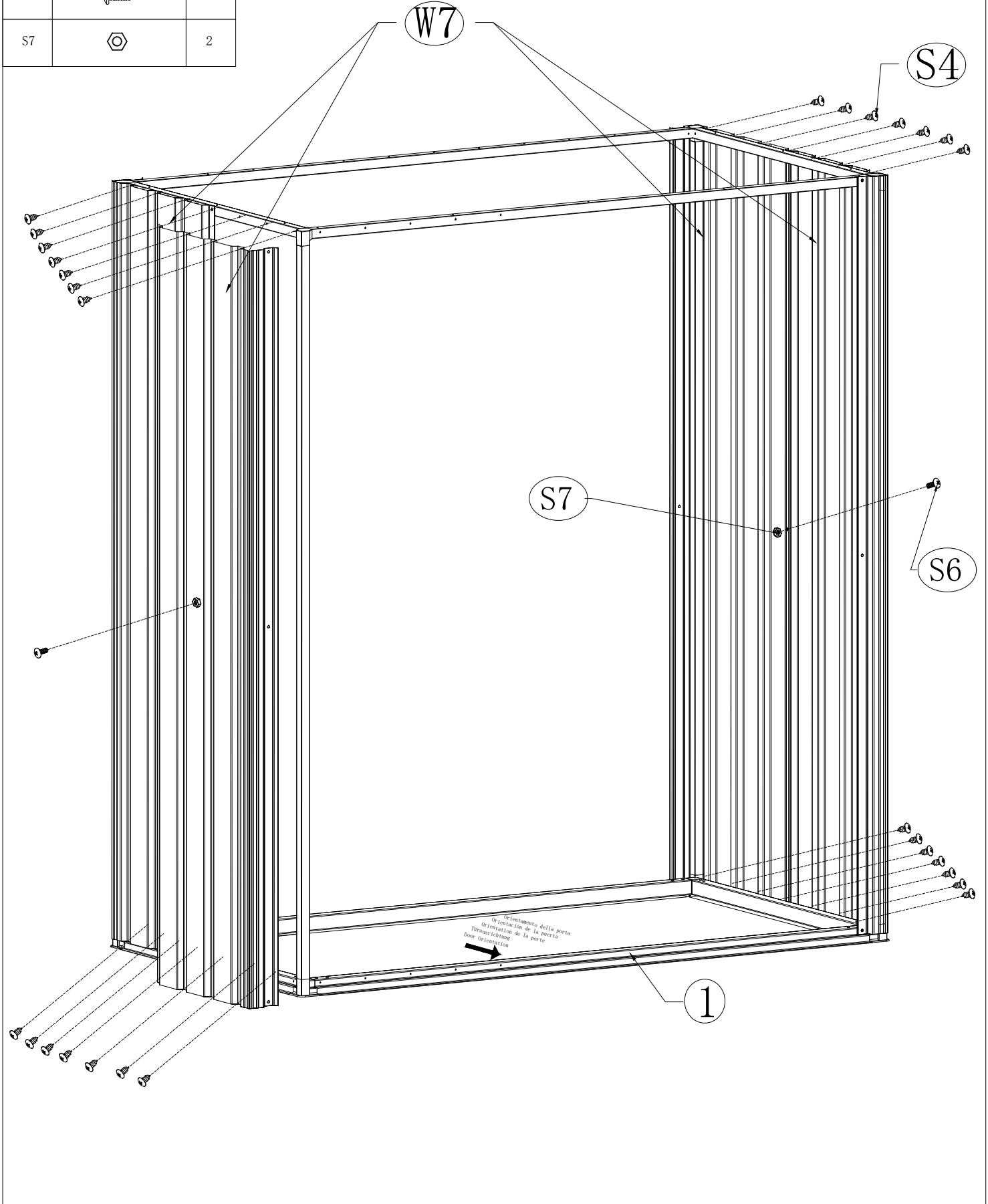
NO.	PART.	Qty.
5	 1510mm	4

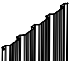


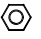


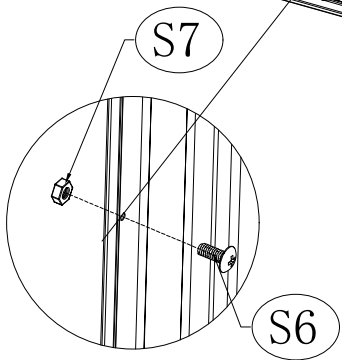
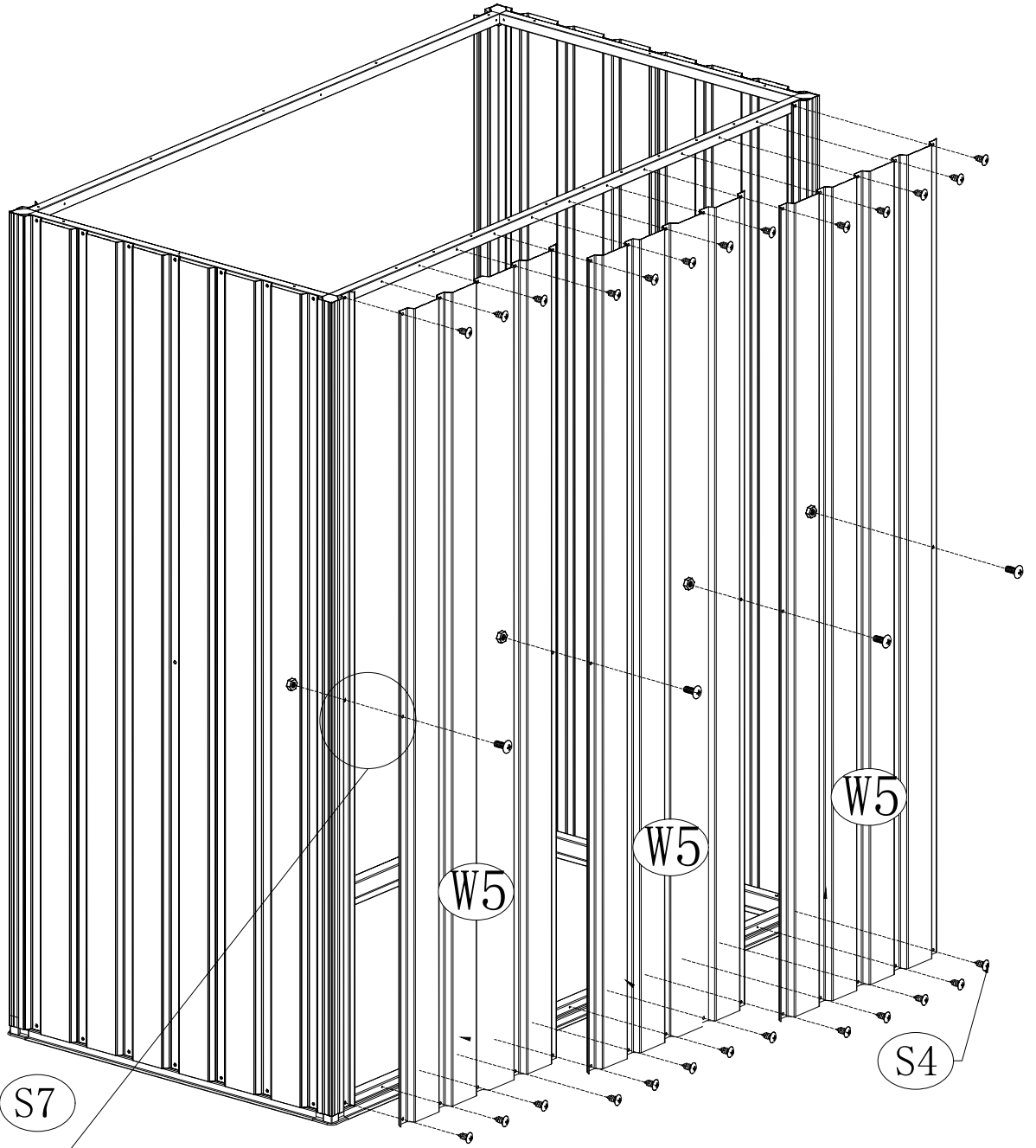
NO.	PART.	Qty.
6	 1322.4mm	1
7	 680.4mm	2
8	 1322.4mm	1
F		4
S4		8

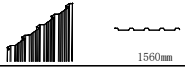





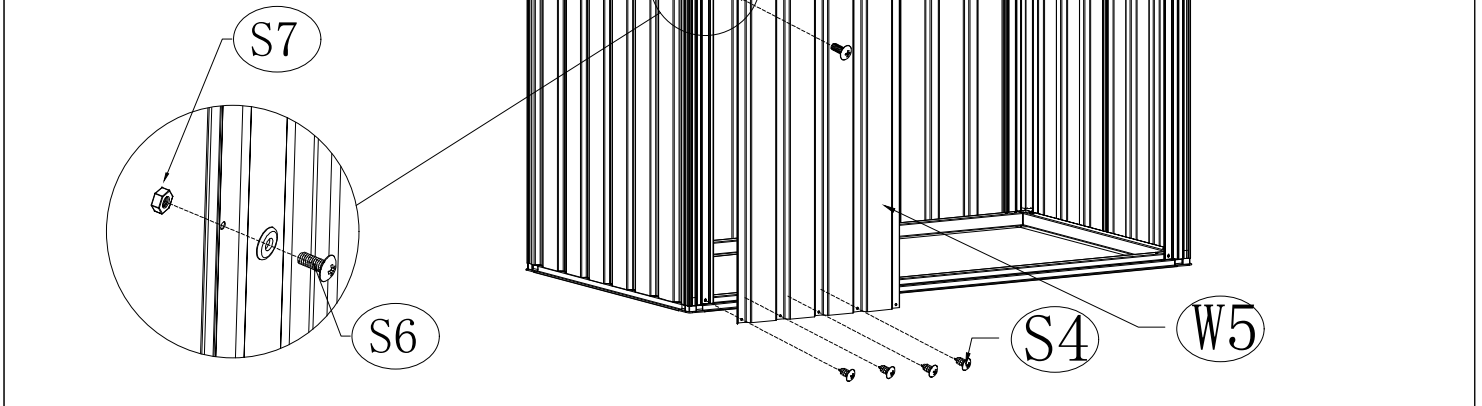
NO.	PART.	Qty.
W7	 1560mm	4
S4		28
S6		2
S7		2

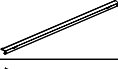
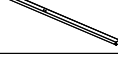
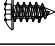





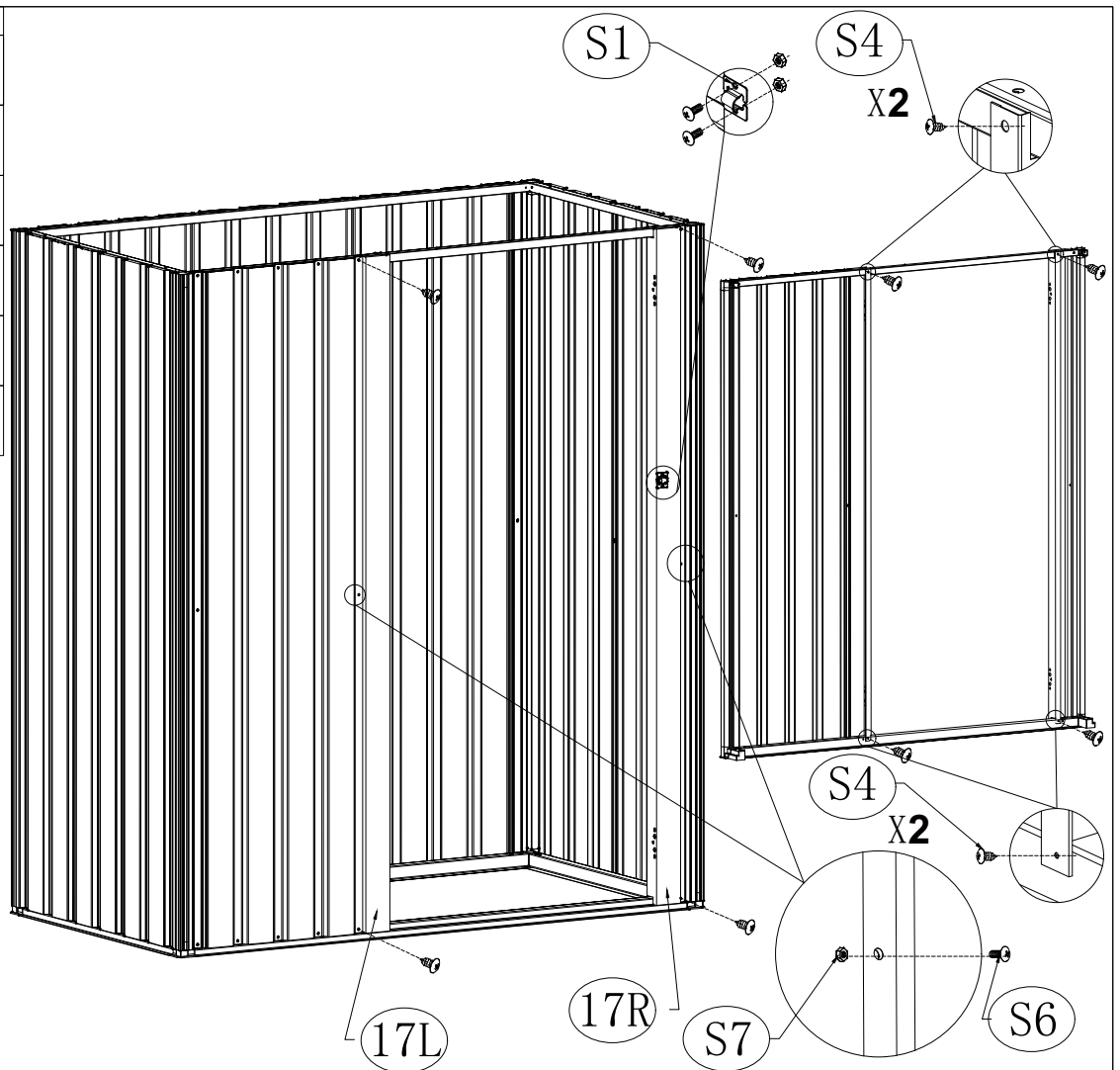
NO.	PART.	Qty.
W5	 1560mm	3
S4		26
S6		4
S7		4






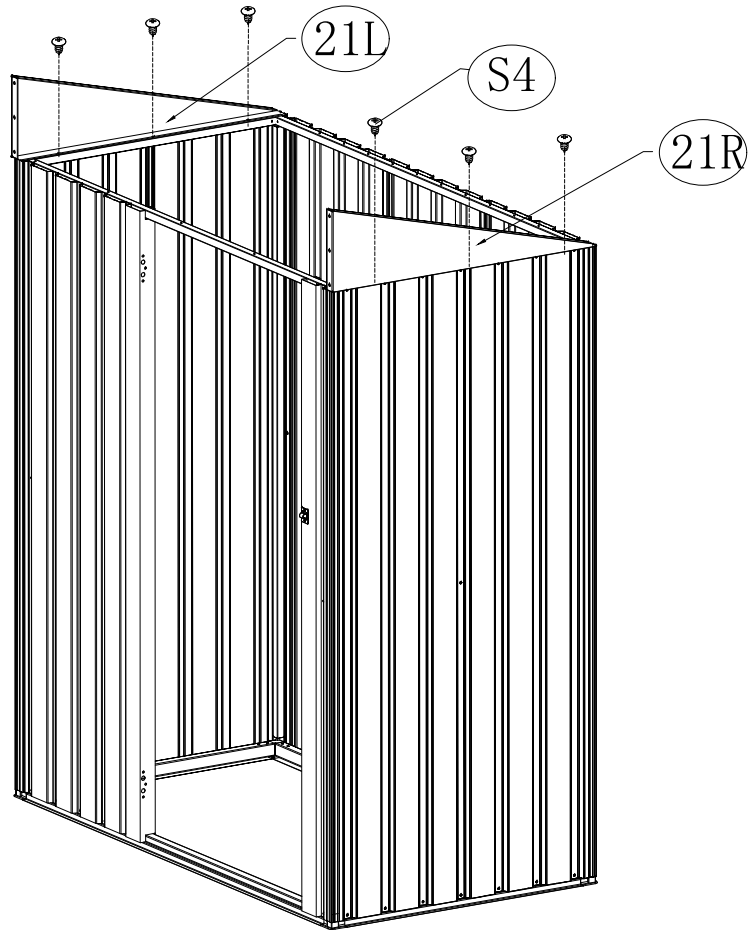
NO.	PART.	Qty.
W5	 1560mm	1
S4		8
S6		1
S7		1

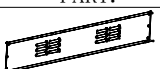


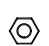


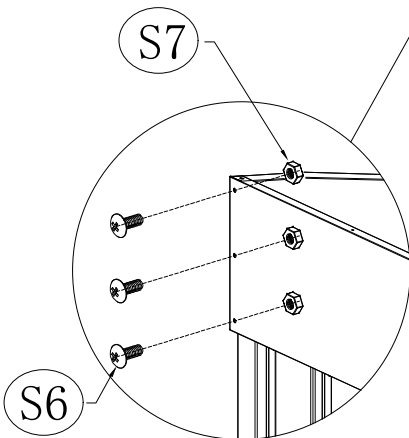
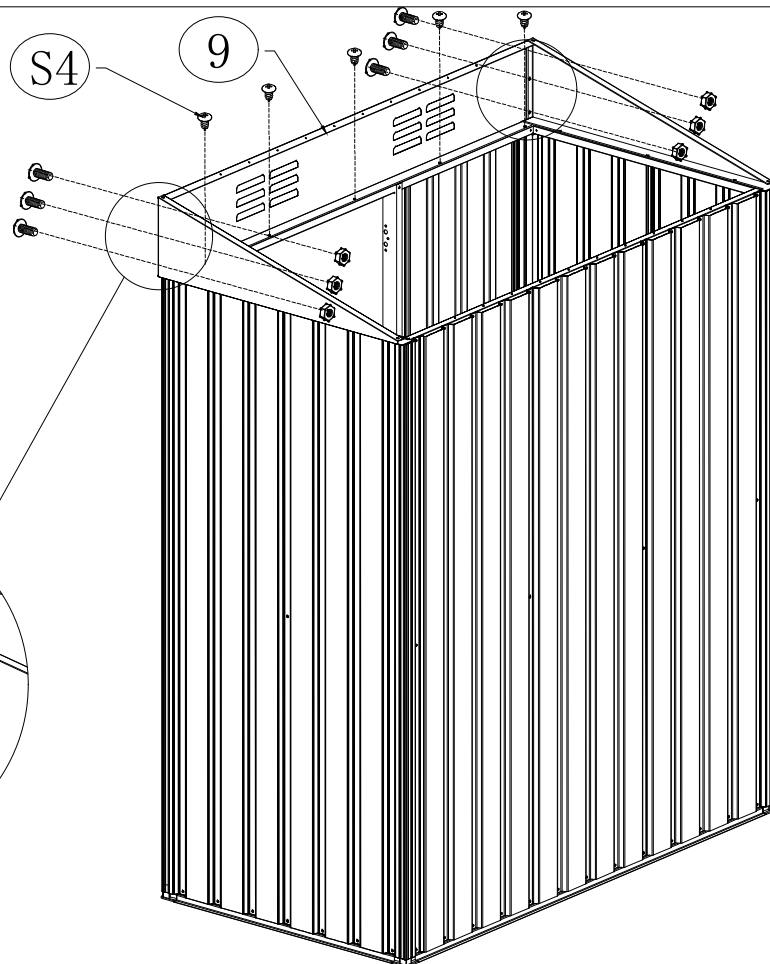
NO.	PART.	Qty.
17L	 1560mm	1
17R	 1560mm	1
S4		8
S6		4
S7		4
S1		1


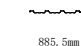






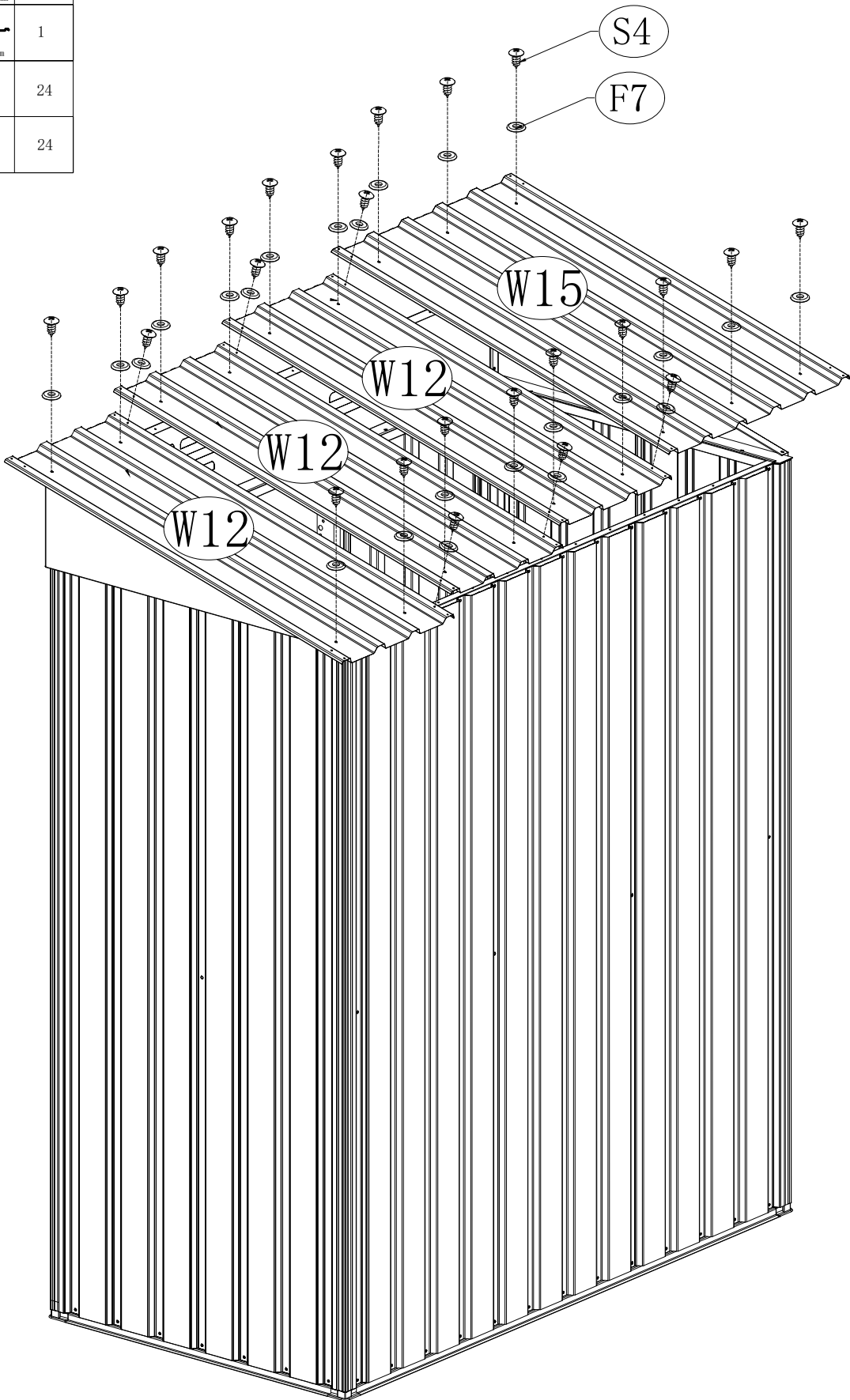
NO.	PART.	Qty.
21L		1
21R		1
S4		6






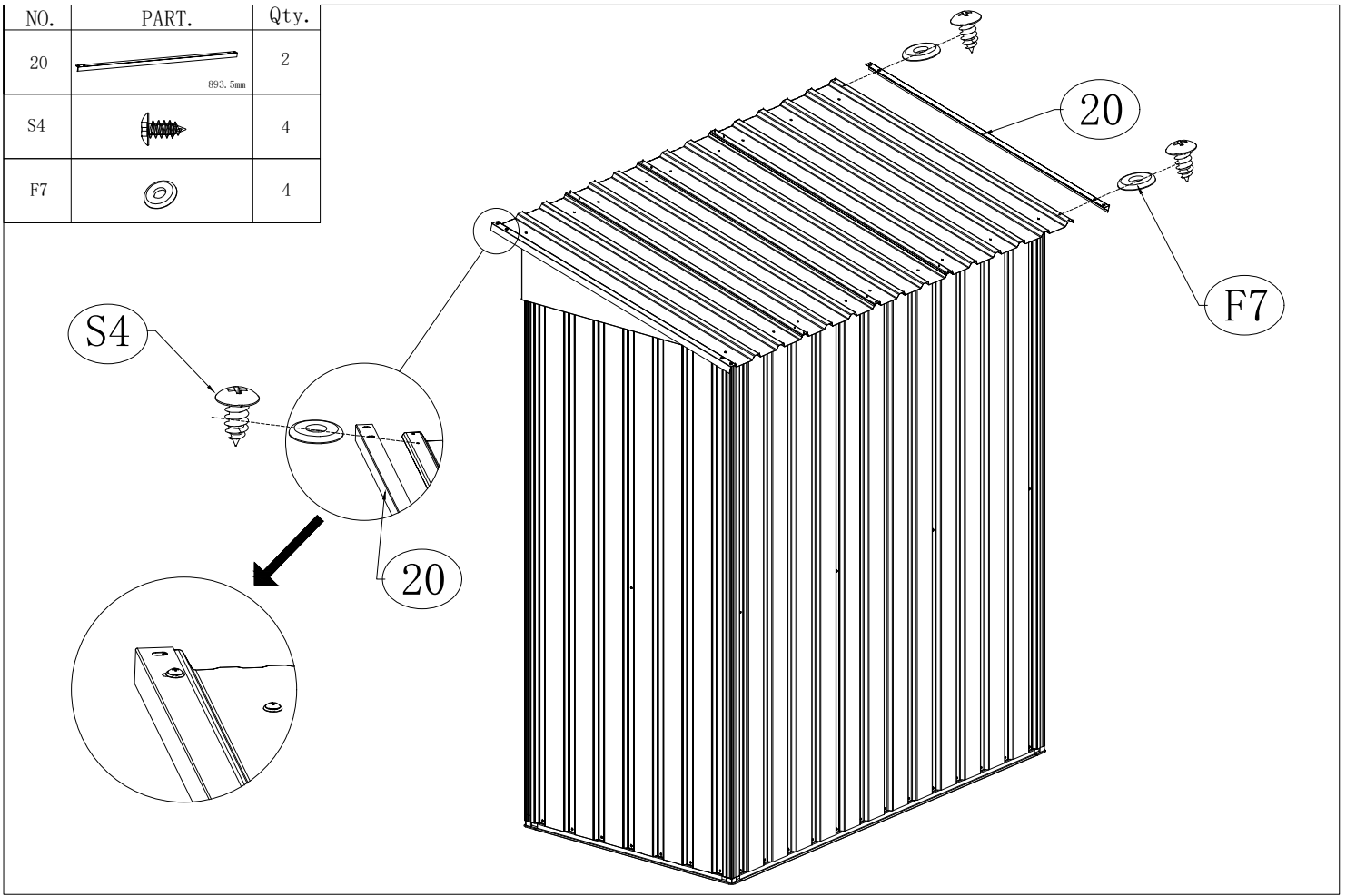
NO.	PART.	Qty.
9		1
S4		5
S6		6
S7		6









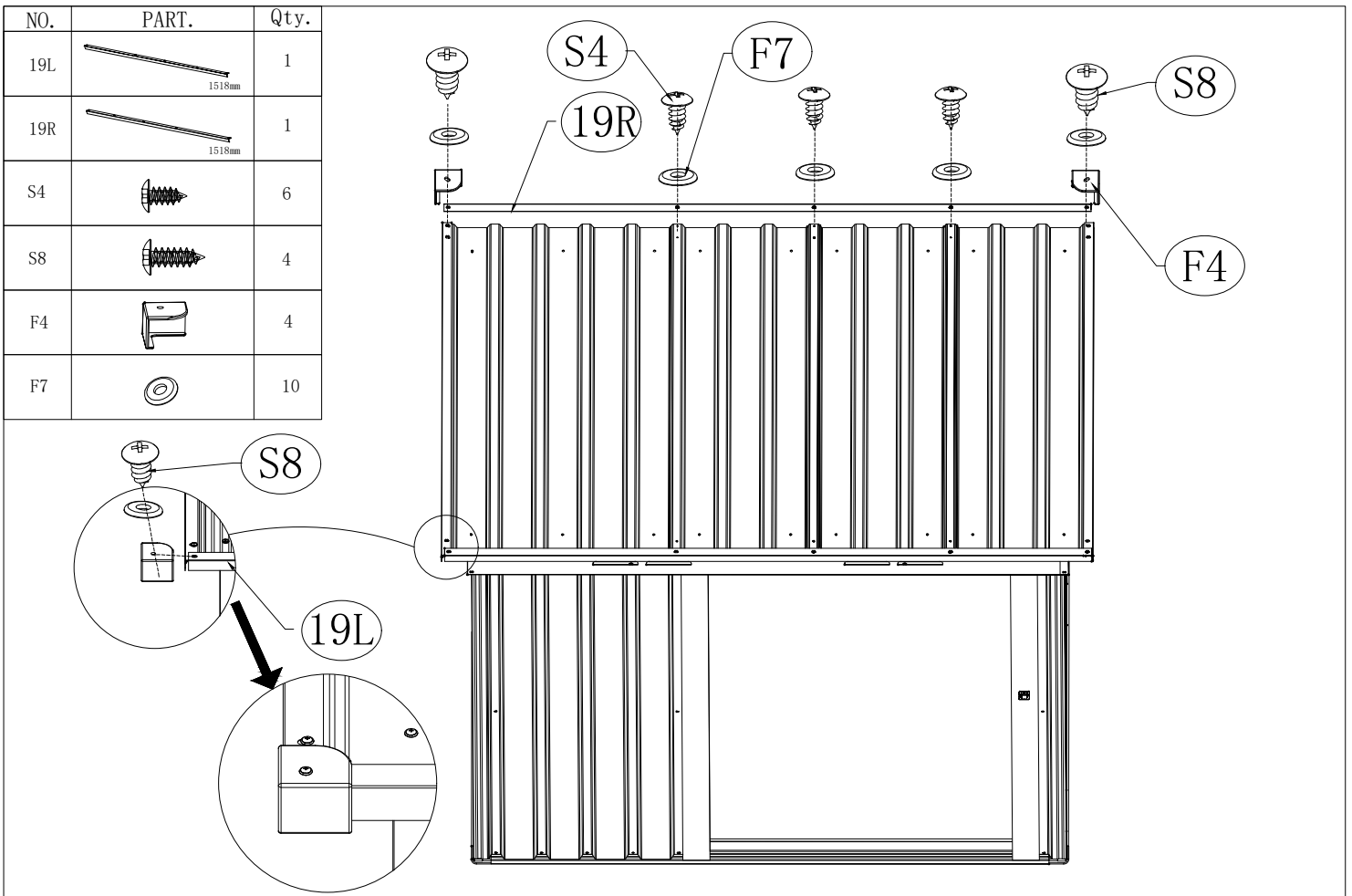
NO.	PART.	Qty.
W12	  885.5mm	3
W15	  885.5mm	1
S4		24
F7		24




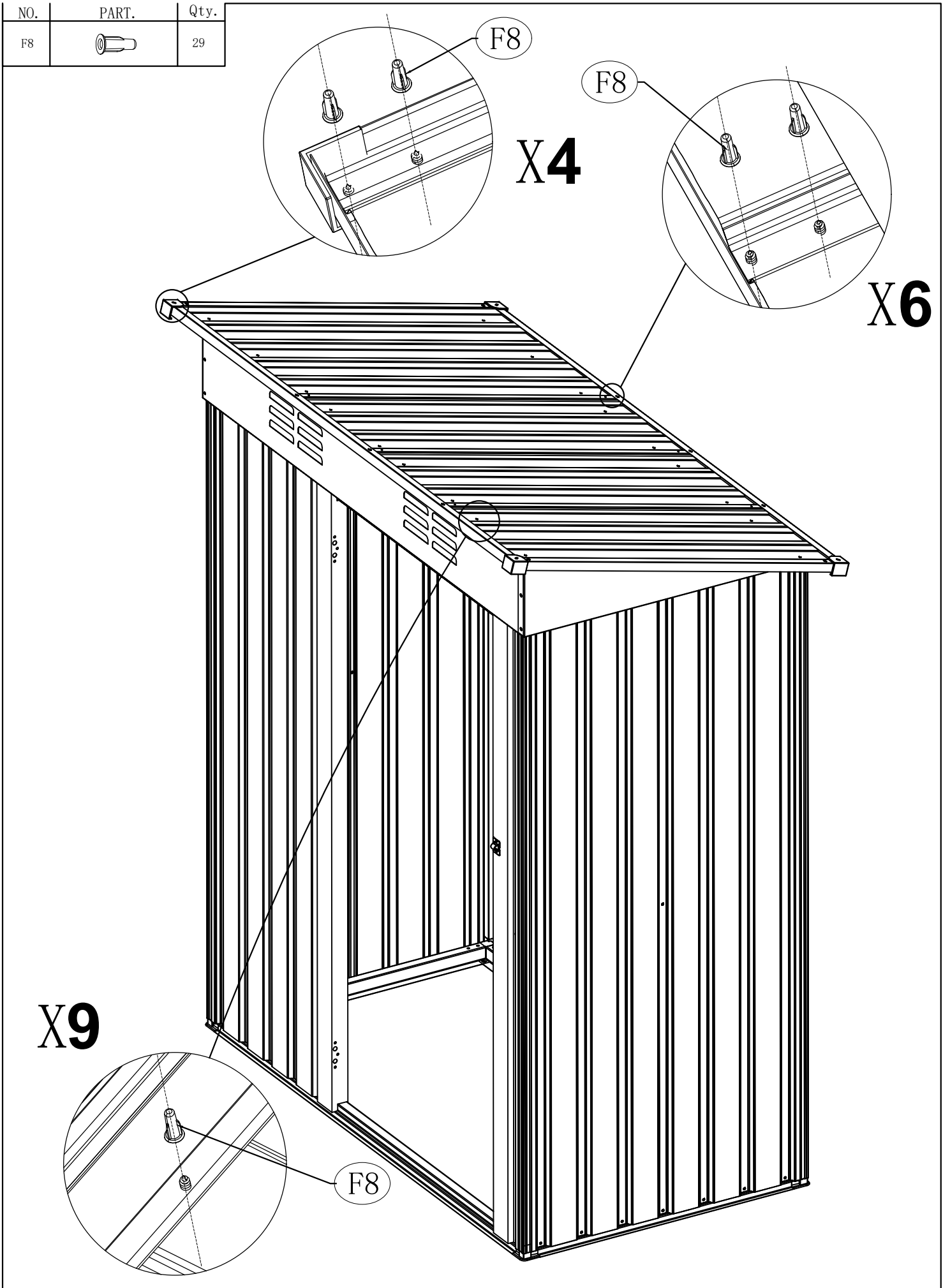
NO.	PART.	Qty.
20	 893.5mm	2
S4		4
F7		4


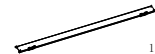



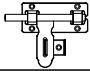







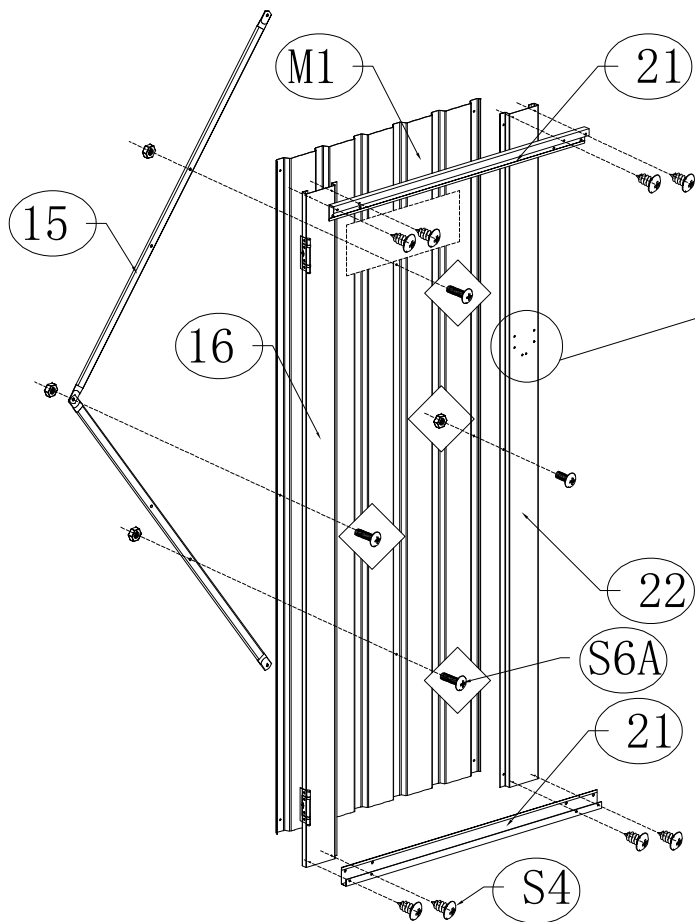
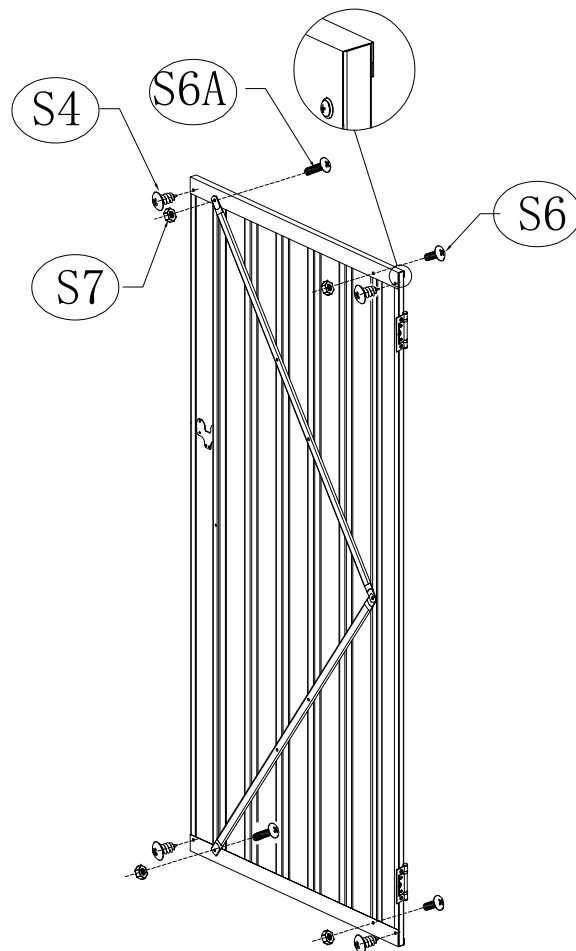
NO.	PART.	Qty.
19L	 1518mm	1
19R	 1518mm	1
S4		6
S8		4
F4		4
F7		10



NO.	PART.	Qty.
F8		29



NO.	PART.	Qty.
15	 940, 9mm	2
16	 1555mm	1
21	 705mm	2
22	 1555mm	1
M1	 1553mm	1
S2		1
S3		1
S4		12
S6		9
S6A		5
S7		8






Put 16 on the side farther from the hole in the center of the tile and 22 on the side nearer.

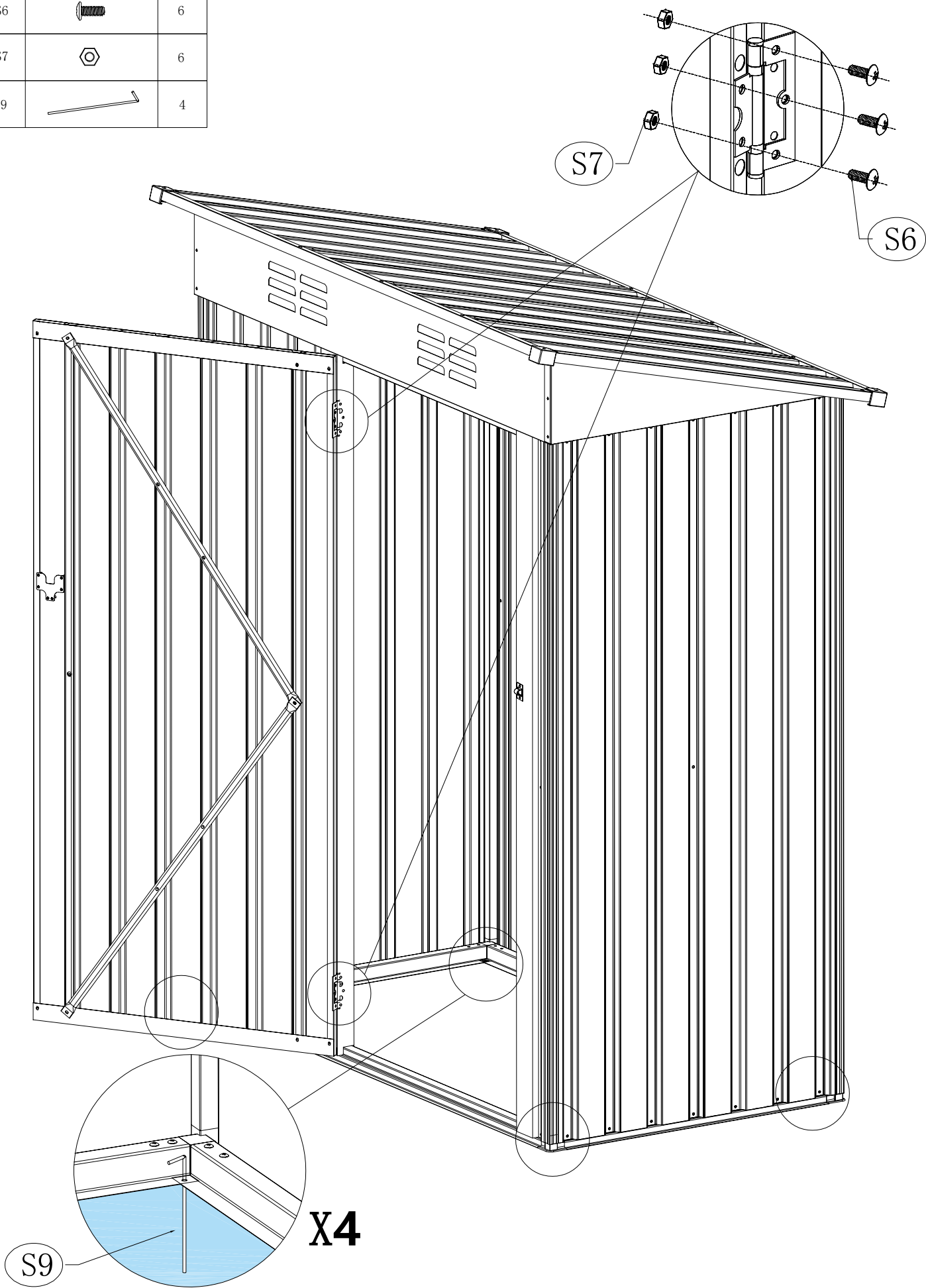
Legen Sie die 16 auf die Seite, die weiter vom Loch in der Mitte der Fliese entfernt ist, und die 22 auf die Seite, die näher dran ist.

Mettez le chiffre 16 sur le côté le plus éloigné du trou au centre de la tuile et le chiffre 22 sur le côté le plus proche.

Pon el 16 en el lado más lejano del agujero en el centro de la baldosa y el 22 en el lado más cercano.

Mettillo il numero 16 sul lato più lontano dal foro al centro della tessera e il numero 22 sul lato più vicino.

NO.	PART.	Qty.
S6		6
S7		6
S9		4





DONE

WEG

L'ACHÈVEMENT DU

COMPLETAR

COMPLETAMENTO