

# EAST LINEAR

## Soap / Lotion Dispenser

# 125



### Features

- Solid brass construction
- Two piece brazed spout design
- Base with integral O-ring deck seal
- Removable spout for above deck refilling
- 13 fluid oz. (384 ml) capacity bottle included
- 2-3/16" (5.6 cm) spout height at outlet
- 3-5/8" (9.2 cm) spout reach (c-c)
- Traditional styling

### Codes / Standards Compliance

Meets or exceeds the following at date of manufacture:

- All applicable US Federal and State material regulations

### Colors / Finishes

- 10B: Oil Rubbed Bronze
- 15: Polished Nickel
- 15A: Antique Nickel
- 26: Polished Chrome
- Other: Refer to the Newport Brass catalog for additional color/finish options.



### Specified Model

Model	Description	Colors   Finishes				
125	Soap / Lotion Dispenser	<input type="checkbox"/> 10B	<input type="checkbox"/> 15	<input type="checkbox"/> 15A	<input type="checkbox"/> 26	<input type="checkbox"/> Other

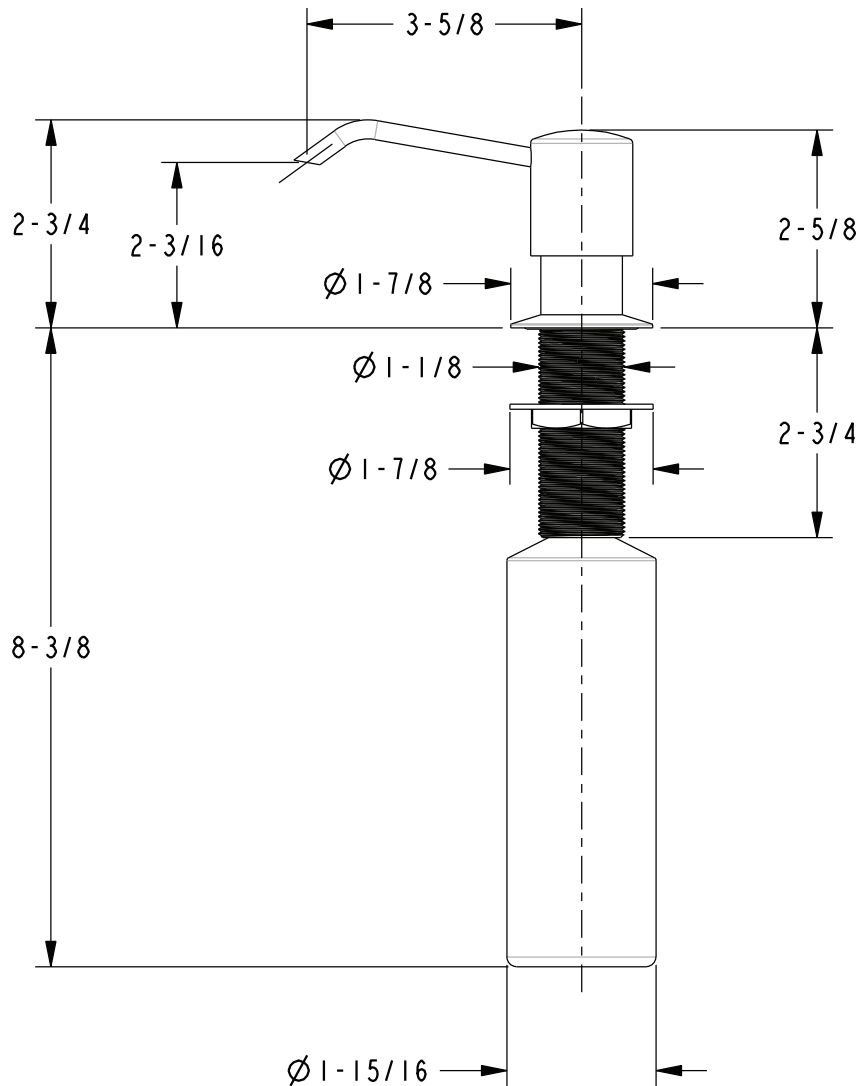
\* Note: Requires 1-1/4" to 1-11/16" through hole. Accommodates 2-1/4" maximum deck thickness.

### Product Specification: Add "Color / Finish" suffix to Model number, below.

The Soap / Lotion Dispenser shall be made of solid brass construction. Dispenser shall incorporate a removable top spout assembly for easy refilling access. Dispenser shall incorporate a refillable 13 fluid ounce (384 ml) capacity container. Product shall incorporate a 2-3/16" (5.6 cm) spout height at outlet and a 3-5/8" (9.2 cm) spout reach (c-c). Soap / Lotion Dispenser shall be Newport Brass Model 125/\_\_\_\_\_.

# 125

## PRODUCT DIMENSIONS *(Units are in inches)*



East Linear Soap / Lotion Dispenser  
**125**