



**Vault™**  
Top-/Under-Mount Kitchen Sink  
**K-3838-3**

**Features**

- 36-inch minimum base cabinet width.
- 18-gauge stainless steel.
- Top-mount or under-mount.
- Double (equal) bowl.
- Smart Divide® lowered divider.
- Three faucet holes.
- SilentShield® sound-absorption technology offers quieter performance.
- 33" (838 mm) x 22" (559 mm)

**Optional Accessories**

- K-6429 Utility Rack
- K-6432 Saddle Towel Bar
- K-6434 Saddle Utility Rack
- K-6667 Wood Cutting Board
- K-8801 Sink Strainer
- 1177161 Installation Clip Kit

**Components**

Product includes:

- K-6641 Sink Rack
- 1130570 Hardware Kit, Self-Rimming

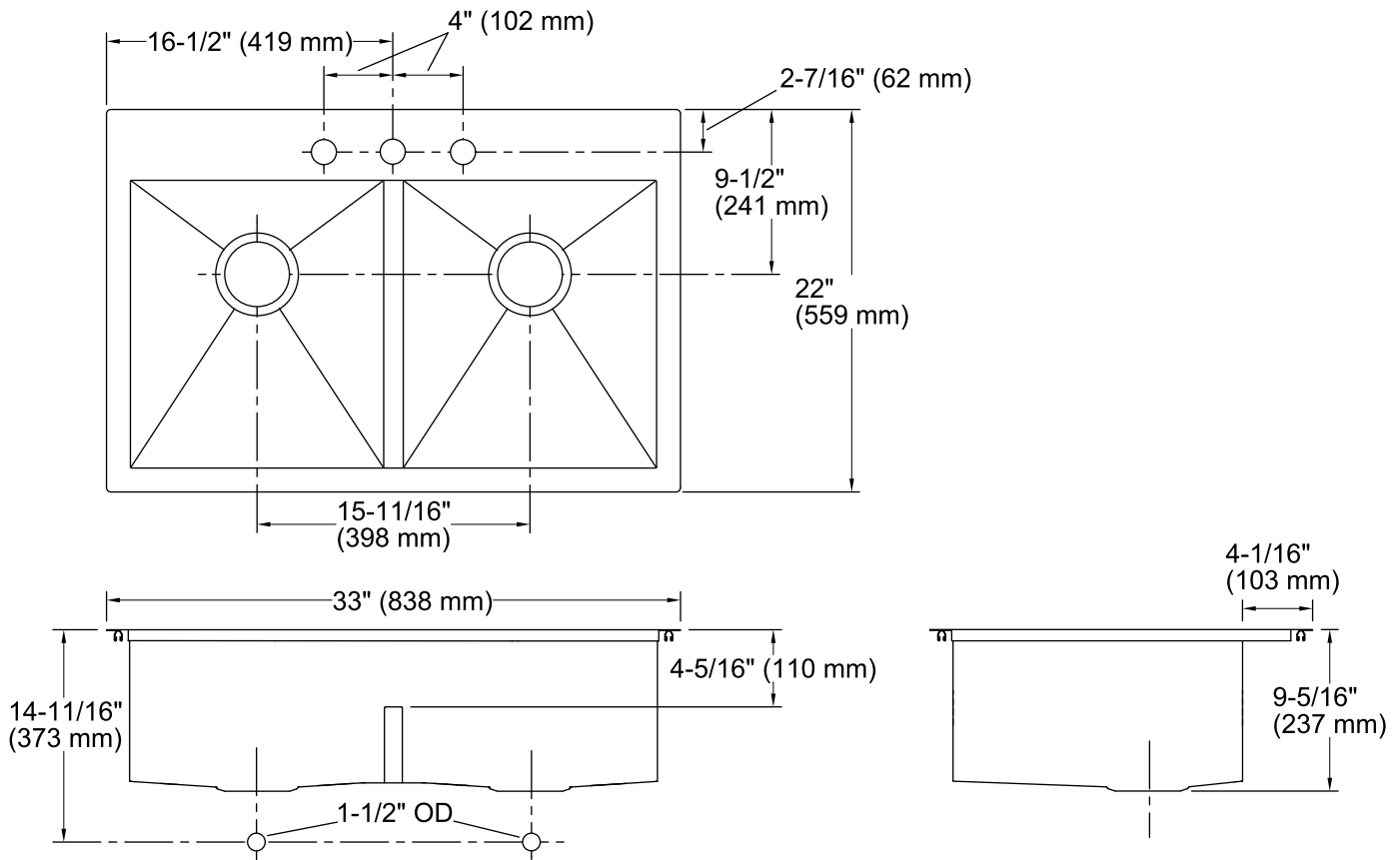


**Codes/Standards**

ASME A112.19.3/CSA B45.4

**Lifetime Limited Warranty for  
KOHLER® Stainless Steel Sinks**

See website for detailed warranty information.



### Technical Information

All product dimensions are nominal.

Bowl configuration:	Double equal
Installation:	Top-mount, Under-mount
Bowl area (Left):	Length: 14-9/16" (370 mm) Width: 16-9/16" (421 mm) Bowl depth: 9" (229 mm) Water depth: 4-11/16" (119 mm)
Bowl area (Right):	Length: 14-9/16" (370 mm) Width: 16-9/16" (421 mm) Bowl depth: 9" (229 mm) Water depth: 4-11/16" (119 mm)
Number of deck holes:	3
Faucet hole(s):	1-7/16" (37 mm)
Drain hole:	3-5/8" (92 mm)
Template:	1130821-7, required, included

### Notes

Install this product according to the installation instructions.  
Allow 3/4" (19 mm) clearance beyond the back of the bowl for the wood cutting board (optional accessory).