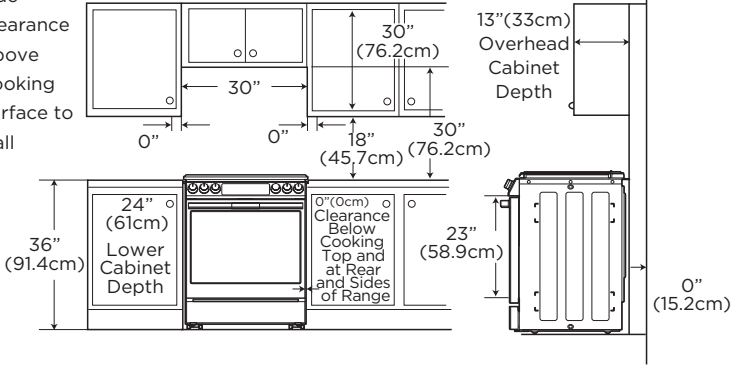
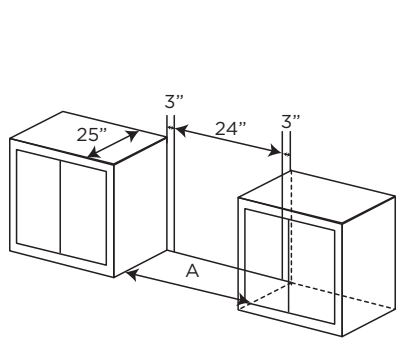
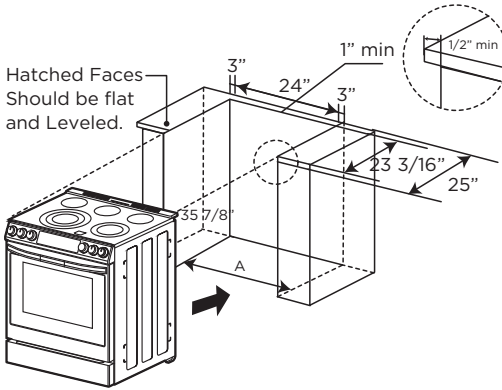


Side Clearance Above Cooking Surface to wall



### SLIDE-IN CUTOUT

### FREESTANDING CUTOUT



SAFETY DEFINITIONS

IMPORTANT SAFETY INSTRUCTIONS

BEFORE STARTING INSTALLATION

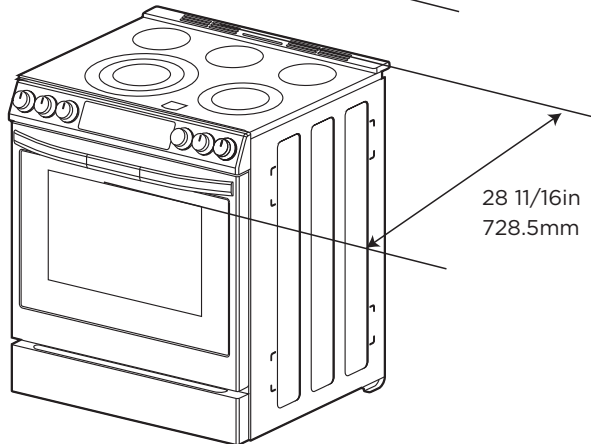
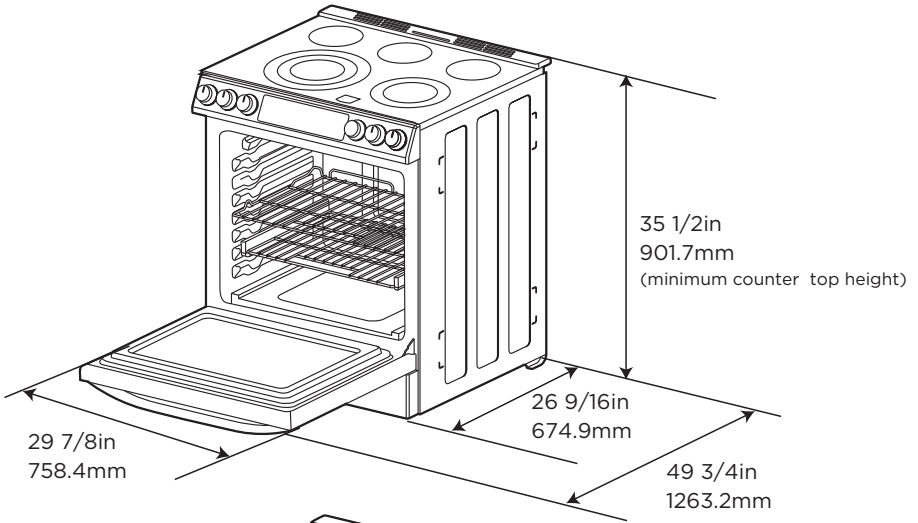
INSTALLATION PROCEDURE

CONFIRM OPERATION

TROUBLESHOOTING

**Product Specifications:**

Oven Range Models	MES30S2AST/MES30S4AST
Description	Electric Slide-In Oven
Electrical Requirements	240V/60Hz
Exterior Dimensions	35½H x 29⅞W x 26⅞D
Height to Cooking Surface	36" (91.4cm)
Net Weight	223-232 lb
Oven Capacity	6.3 cu. ft.
Power Ratings	Refer to rating plate label



SAFETY  
DEFINITIONS

IMPORTANT  
SAFETY  
INSTRUCTIONS

STARTING  
INSTALLATION

INSTALLATION  
PROCEDURE

CONFIRM  
OPERATION

TROUBLESHOOTING