

Features

- 36" (914 mm) minimum base cabinet width
- Double-equal bowls
- 9" (229 mm) depth provides generous workspace
- Rounded corners are easy to clean
- SilentShield® sound-absorption technology offers quieter performance
- Rear drains increase workspace in the sink and storage space underneath
- No faucet holes; requires wall- or counter-mount faucet
- Box includes: Sink, two silicone sink mats, installation hardware, cutout template



Material

- Premium 18-gauge stainless steel
- KOHLER stainless steel sinks resist corrosion and tarnishing

Installation

- Undermount

Recommended Products/Accessories

- K-28903 Silicone sink mat
- K-8801 Sink drain and strainer with tailpiece
- K-23729 Stainless steel cleaner
- K-8799 Sink drain and strainer basket
- K-23726 Drain treatment

Optional Products/Accessories

- K-28905 Bamboo cutting board
- K-28906 Acacia cutting board
- K-11352 Disposal Flange with Stopper

Included Components

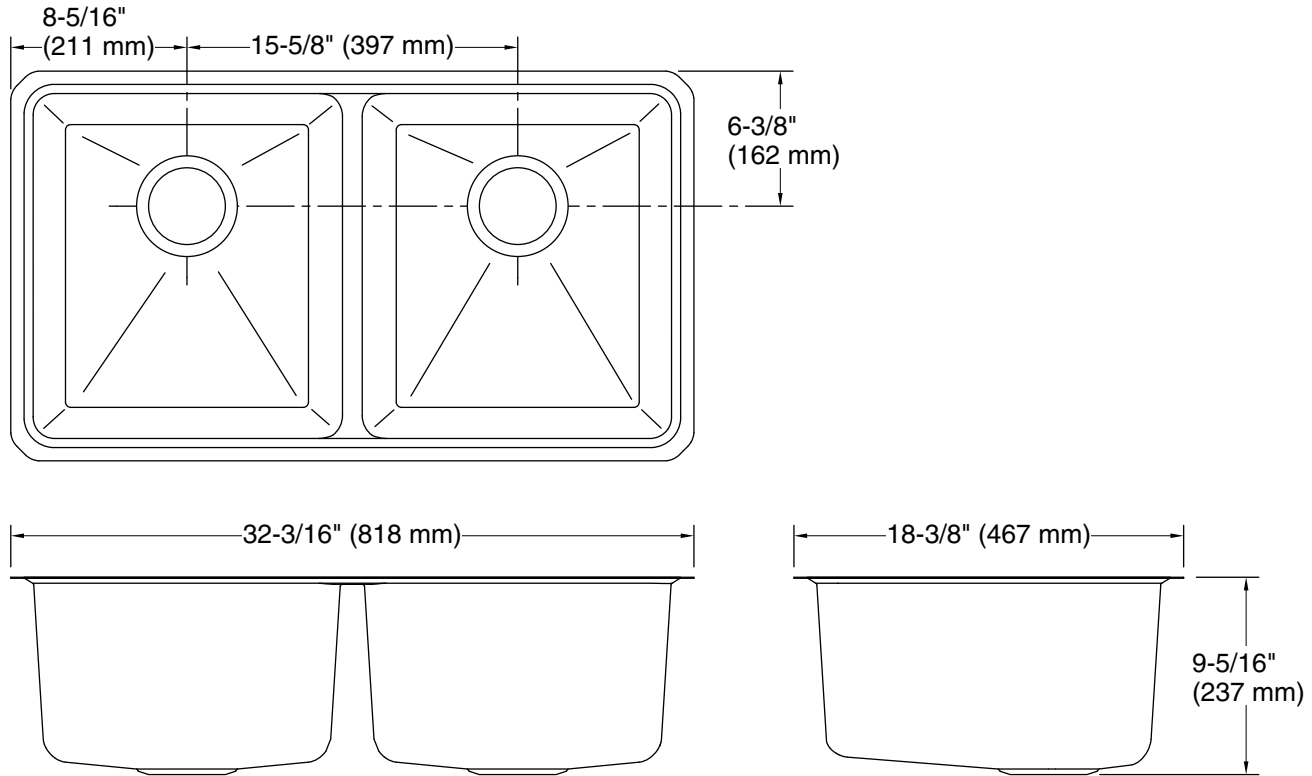
- K-28903 Silicone sink mat (Qty 2)

Codes/Standards

ASME A112.19.3/CSA B45.4

KOHLER® Stainless Steel Sinks Lifetime Limited Warranty

See website for detailed warranty information.



Technical Information

All product dimensions are nominal.

Basin configuration: Equal Bowls

Min. base cabinet width: 36" (914 mm)

Bowl area (Double Equal Basins): Length: 14-3/8" (365 mm)
 Width: 16-1/8" (410 mm)
 Water depth: 9" (229 mm)

Drain hole: 3-5/8" (92 mm)

Template: Undermount, 1476436-7, required, included

Notes

Install this product according to the installation instructions.

NOTICE: Countertop manufacturer or cutter must use the cut-out template provided with the product, or a current one provided by Kohler Co. (call 1-800-4KOHLER). Kohler Co. is not responsible for cutout errors when the incorrect cut-out template is used.