

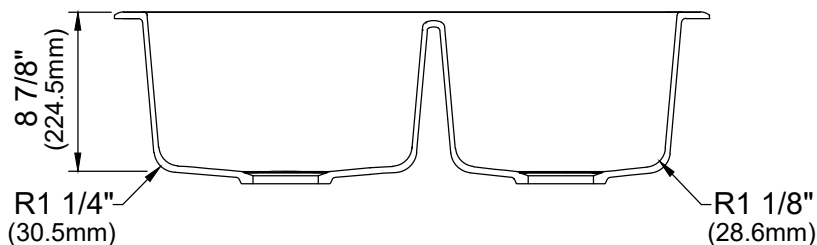
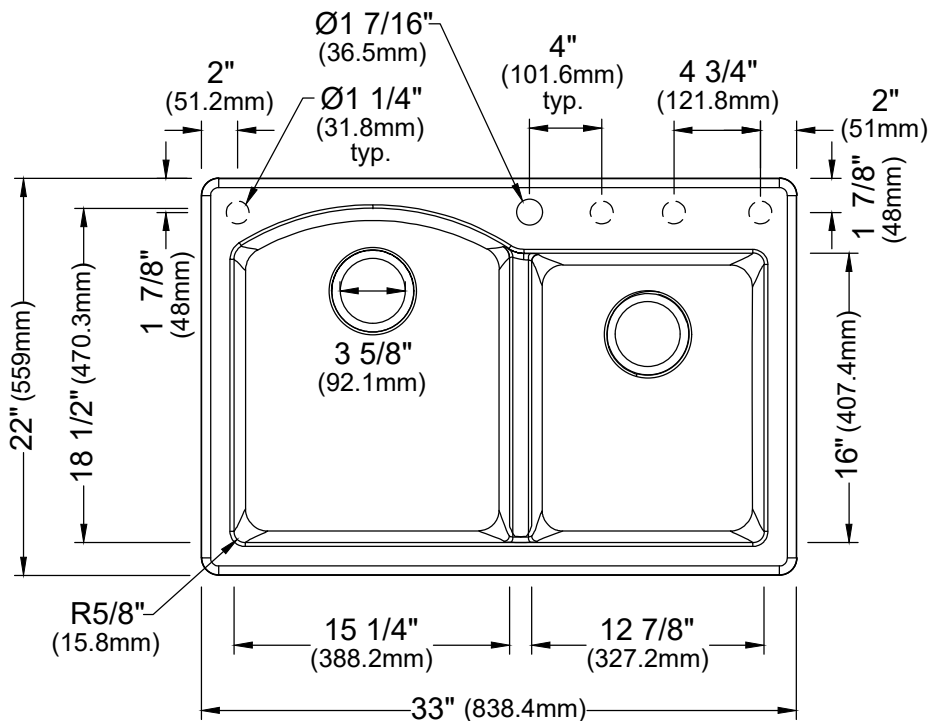
Series	Quartz QT Series
Material	80% quartz / 20% acrylic resin
Installation Type	Top mount / Drop-in
Configuration	Large / small bowl
Finish	Matte finish
Overall Dimensions	33" x 22"
Left Bowl Dimensions	15 1/4" x 18 1/2" x 8 7/8"
Right Bowl Dimensions	12 7/8" x 16" x 8 7/8"
Drain Size	3 5/8"
Colors Available	Bisque, Concrete, White, Black, Grey, Brown
Minimum cabinet size	33"
Template Included	Yes
Clips Included	Yes
Heat Safe	Up to 535°F
Resistant to	Stain, scratch, abrasion, impact
Drain Locations	Rear

Shown in Bisque



MODEL	FINISH
QT-610-GR	Grey
QT-610-BL	Black
QT-610-WH	White
QT-610-BR	Brown
QT-610-BI	Bisque
QT-610-CN	Concrete

Stocked Color Options



Listing and certifications:
cUPC

Limited lifetime warranty

- = pre-drilled faucet / drain hole
- = semi-drilled knock-out location(s)

We reserve the right to update product specifications without notice. Please visit karran.com for the most current specification sheets. All dimensions are accurate to 1/4". REV 09-2024