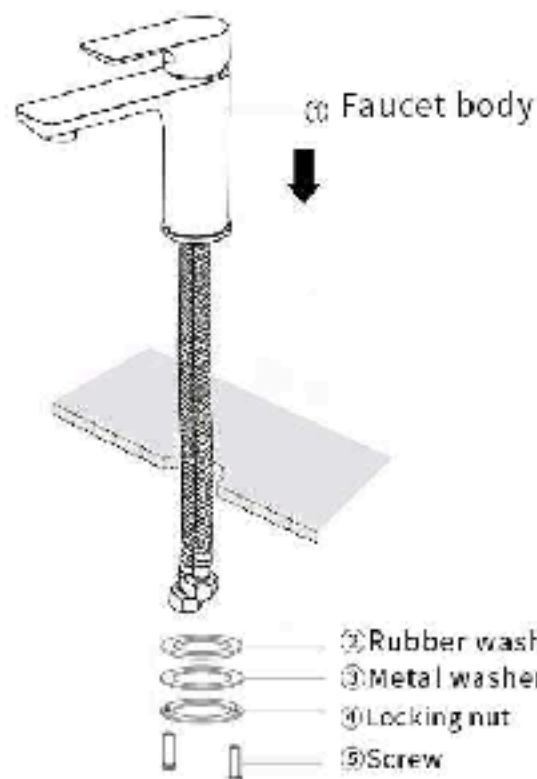


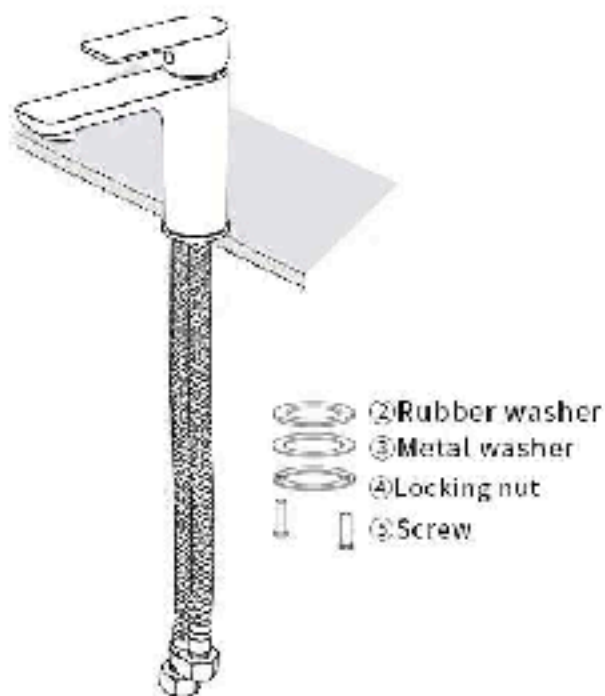
BEFORE INSTALLATION

- To insure proper installation, please read the following instructions carefully.
- Please make sure that the water supply has been shut off at the stop valve.

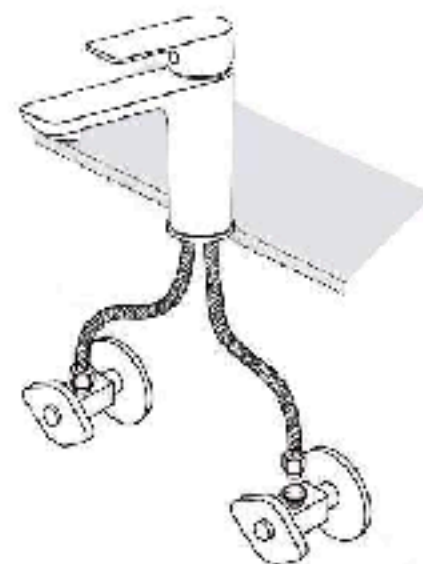
NOTE: Style may vary by model, but installation way are the same



1. Remove the rubber washer, metal washer and locking nut from the faucet body
2. Screw and hand tighten the hot and cold water supply hoses to the faucet body (Note: DO NOT use a wrench to tighten the hoses!)



3. Place faucet body into sink hole
4. Re-install the rubber washer, metal washer and locking nut to the faucet body. Hand tighten the locking nut then use a screw driver to tighten the screws on the locking nut



5. Screw the hot and cold water supply hoses to the stop valves
6. Turn on the faucet to check for leakage

- Every once in a while, please rinse the faucet with lukewarm soapwater, and wipe it clean with a soft duster cloth. Please avoid any abrasive cleaners, steel wool's, or corrosive chemicals.