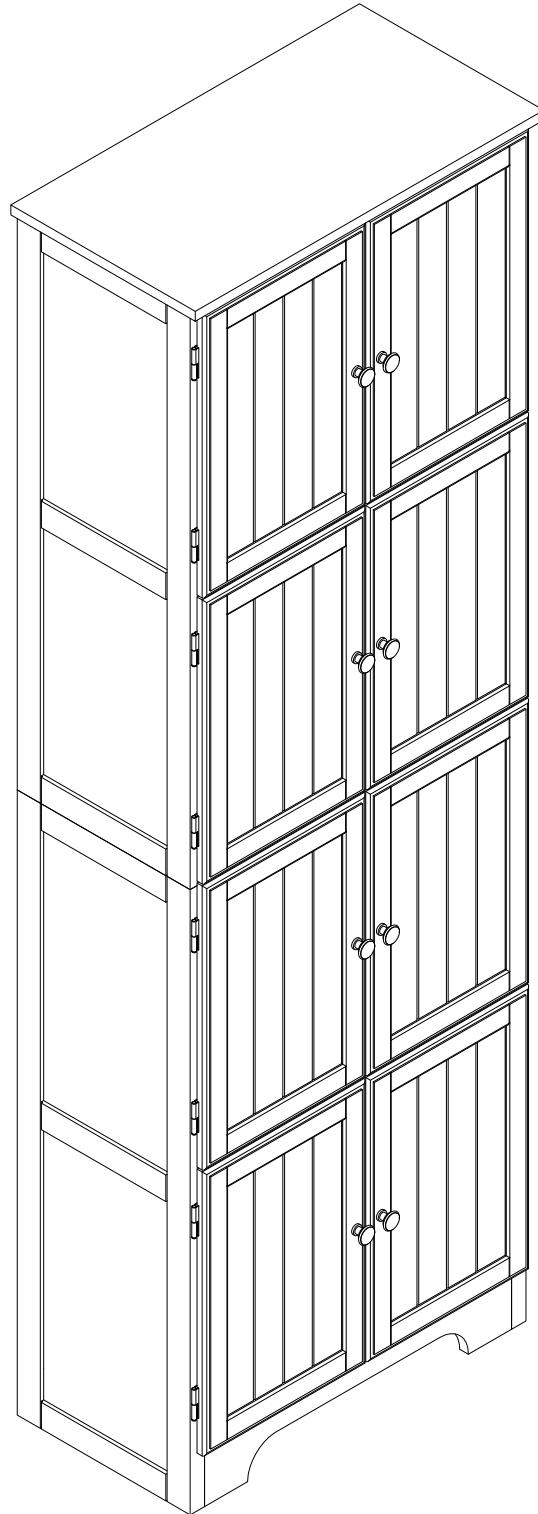


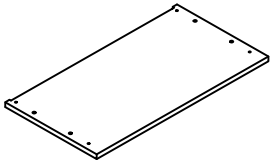
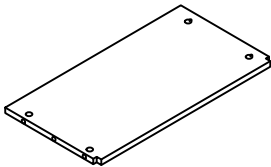
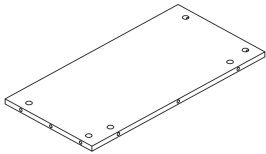
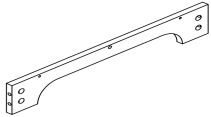
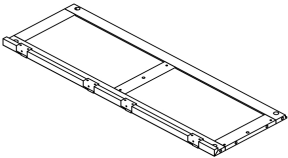
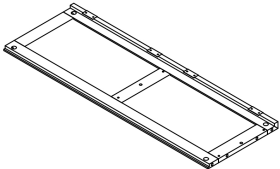
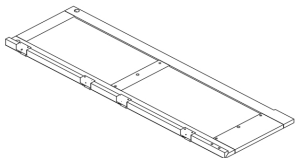
# WALL CABINET

ITEM: YL-011

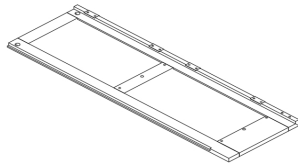
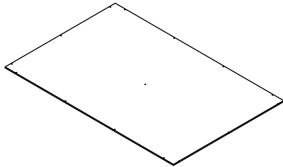
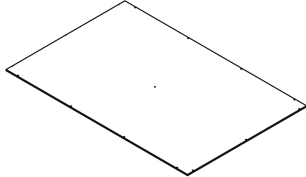
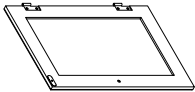
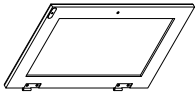
## ASSEMBLY INSTRUCTIONS



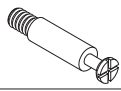
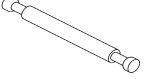




Part List:

ITEM	DESCRIPTION	PART	QTY
1	Top		1
2	shelf		3
3	Bottom		1
4	Apron		1
5	Upper left side		1
6	Upper right side		1
7	Lower left side		1



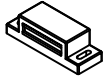




Part List:

ITEM	DESCRIPTION	PART	QTY
8	Lower right side		1
9	Upper back panel		1
10	Lower back panel		1
11	Left door		4
12	Right door		4

## Hardware List:

ITEM	DESCRIPTION	PART	QTY
A	Camlock bolt		29
B	Camlock bolt		4
C	Camlock		37
D	Short wooden dowel	 $\Phi 8*30\text{mm}$	20
F	Knob		8
G	Machine screw	 $\Phi 4*22\text{mm}$	,

## Hardware List:

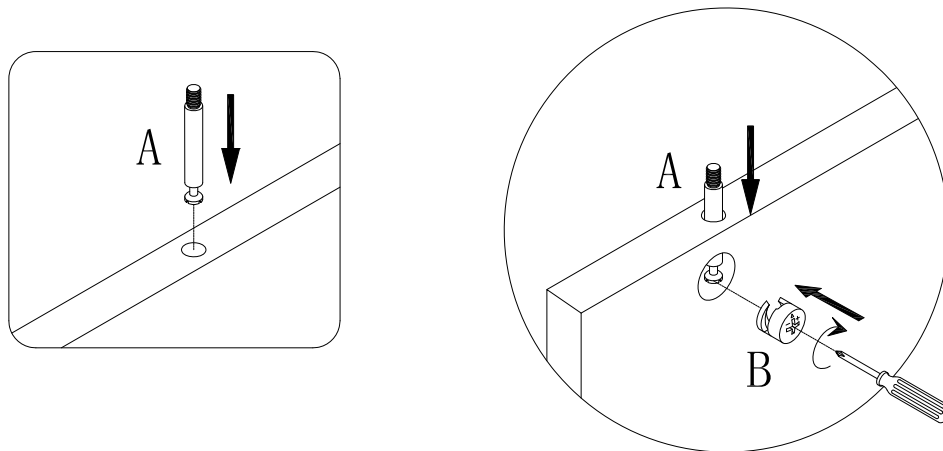
ITEM	DESCRIPTION	PART	QTY
H	Back screw	 $\Phi 3*15\text{mm}$	29
I	Short wood screw	 $\Phi 3*15\text{mm}$	9
J	Magnet		4
K	Safety wall strap		1
L	Plastic anchor		1
M	Mounting screw	 $\Phi 4*38\text{mm}$	1
N	Sticker for C:Camlock	 $\Phi 20\text{mm}$	37

Tip: It is recommended to keep all hardware in a box to avoid loss during installation.

## ASSEMBLY INSTRUCTION

- \* Required screwdriver & mallet, not included.
- \* Before discarding packing materials, please check to make sure that all parts and hardware is present.
- \* Two people needed for assembly.
- \* Please follow the instructions closely; do not over tighten screws or bolts unless instructed.
- \* Caution: If using a power drill or power screwdriver for screwing, please be aware to slow down and stop when screw is tight. Failure to do so may result in stripping the screw.

## Guideline For Assembling of Cam Lock(A &amp; B)

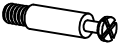


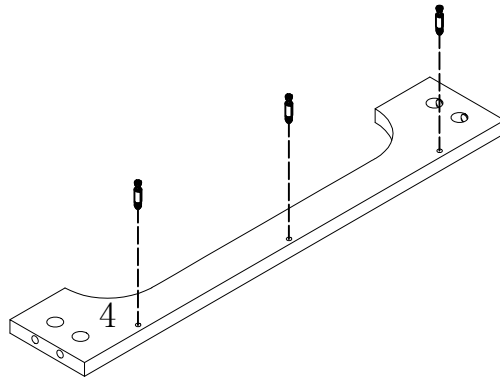
Screw camlock bolt (A) to wood part.

Do not assemble camlock (B) unless instructed.

To assemble camlock (B), ensure long side of the + is facing the bolt (A) before inserting into hole.

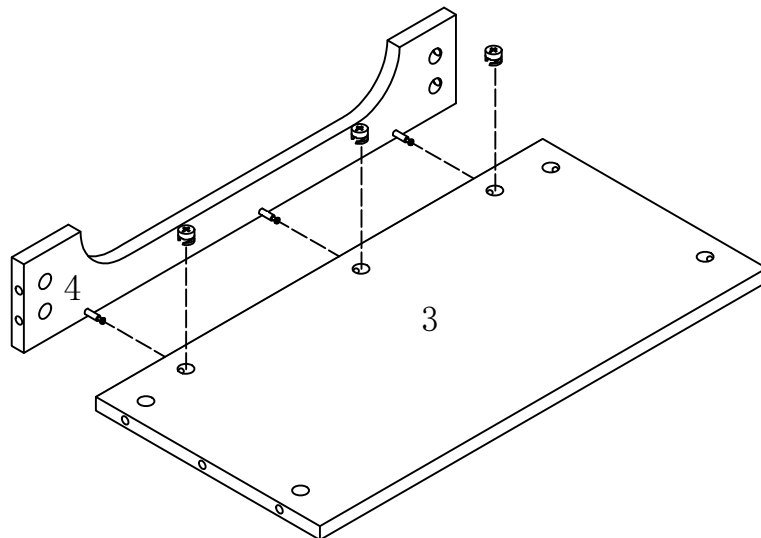
## STEP 1

A:  3PCS

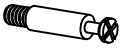




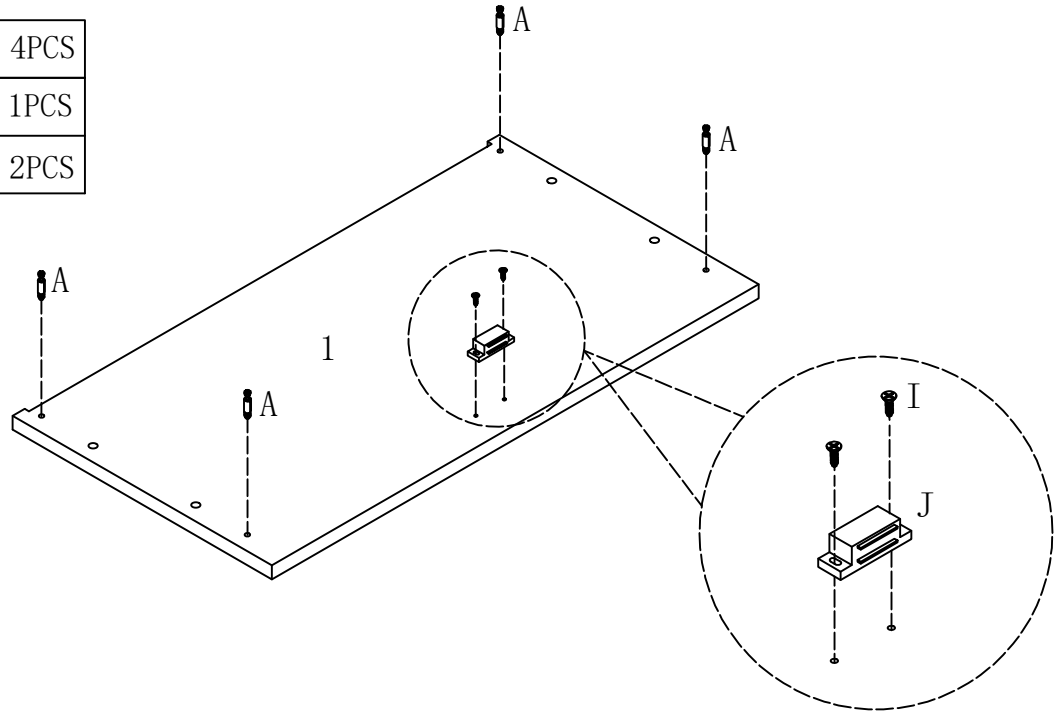
## STEP 2

C:  3PCS





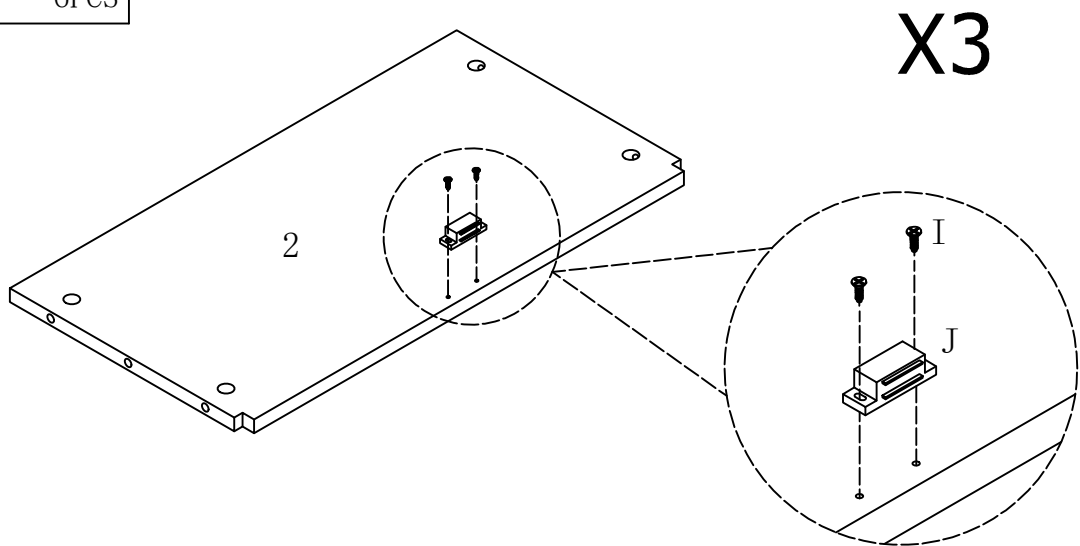
## STEP 3

A:		4PCS
J:		1PCS
I:		2PCS



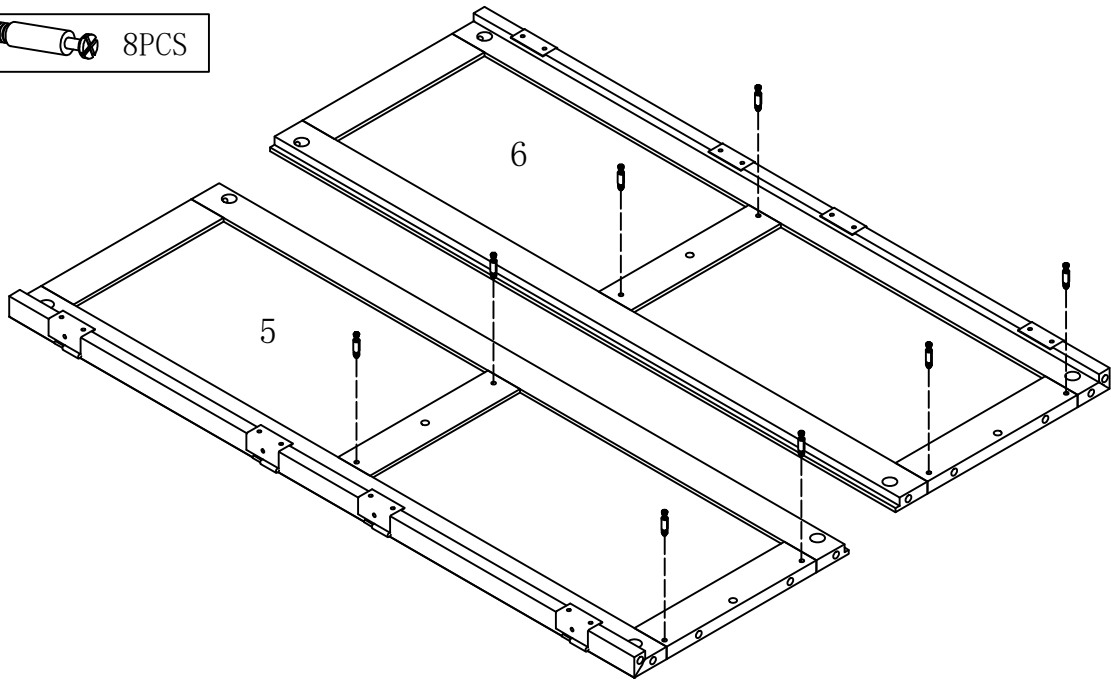
## STEP 4

J:		3PCS
I:		6PCS

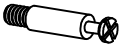


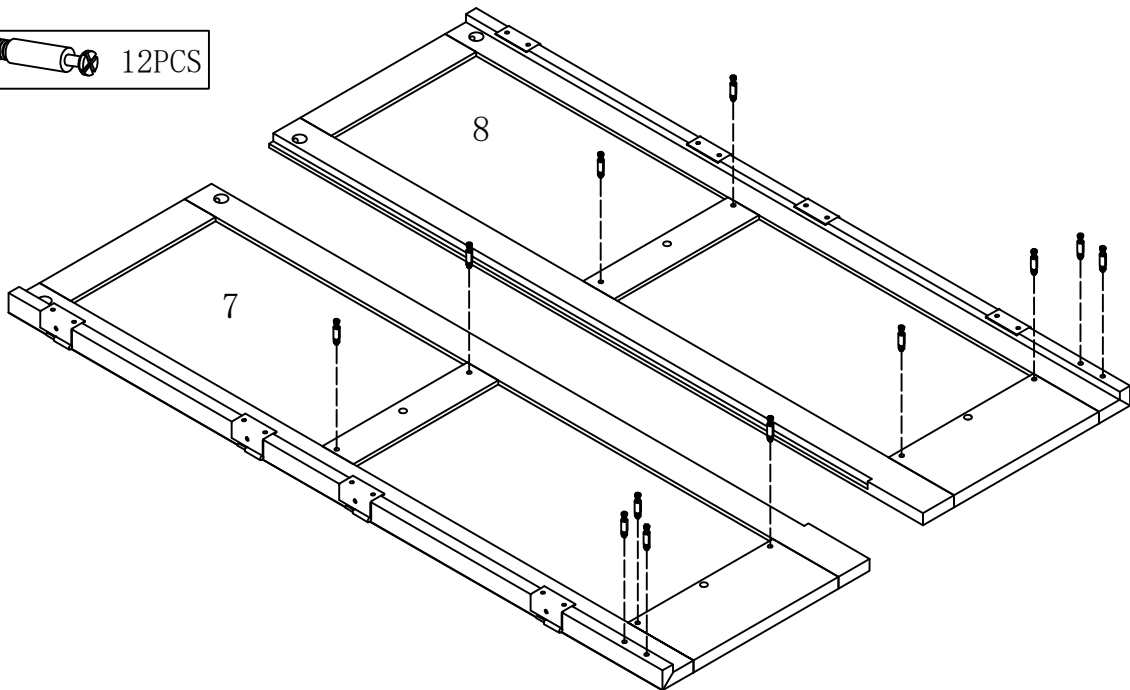
## STEP 5

A:  8PCS





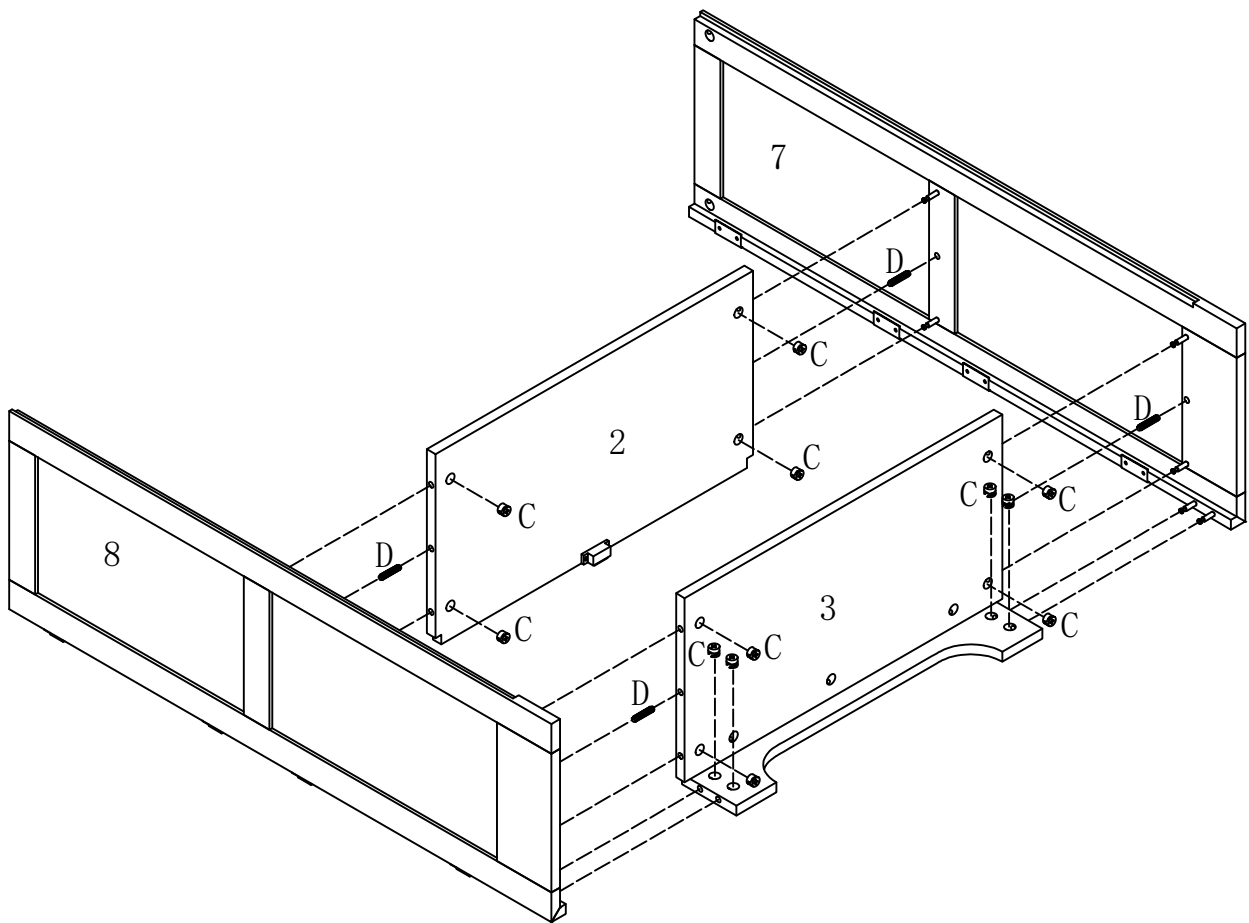
## STEP 6

A:  12PCS





## STEP 7

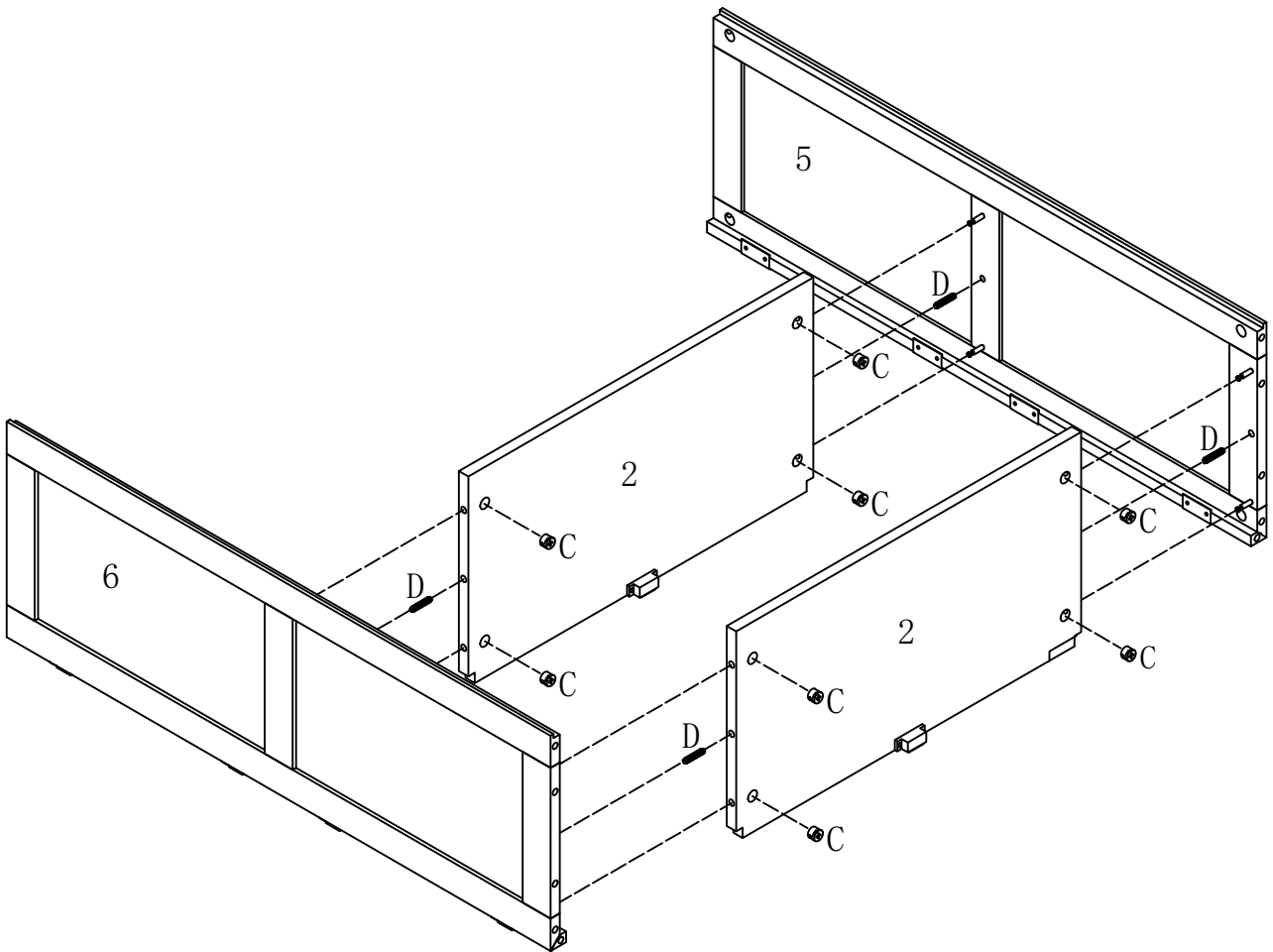
C:		12PCS
D:		4PCS








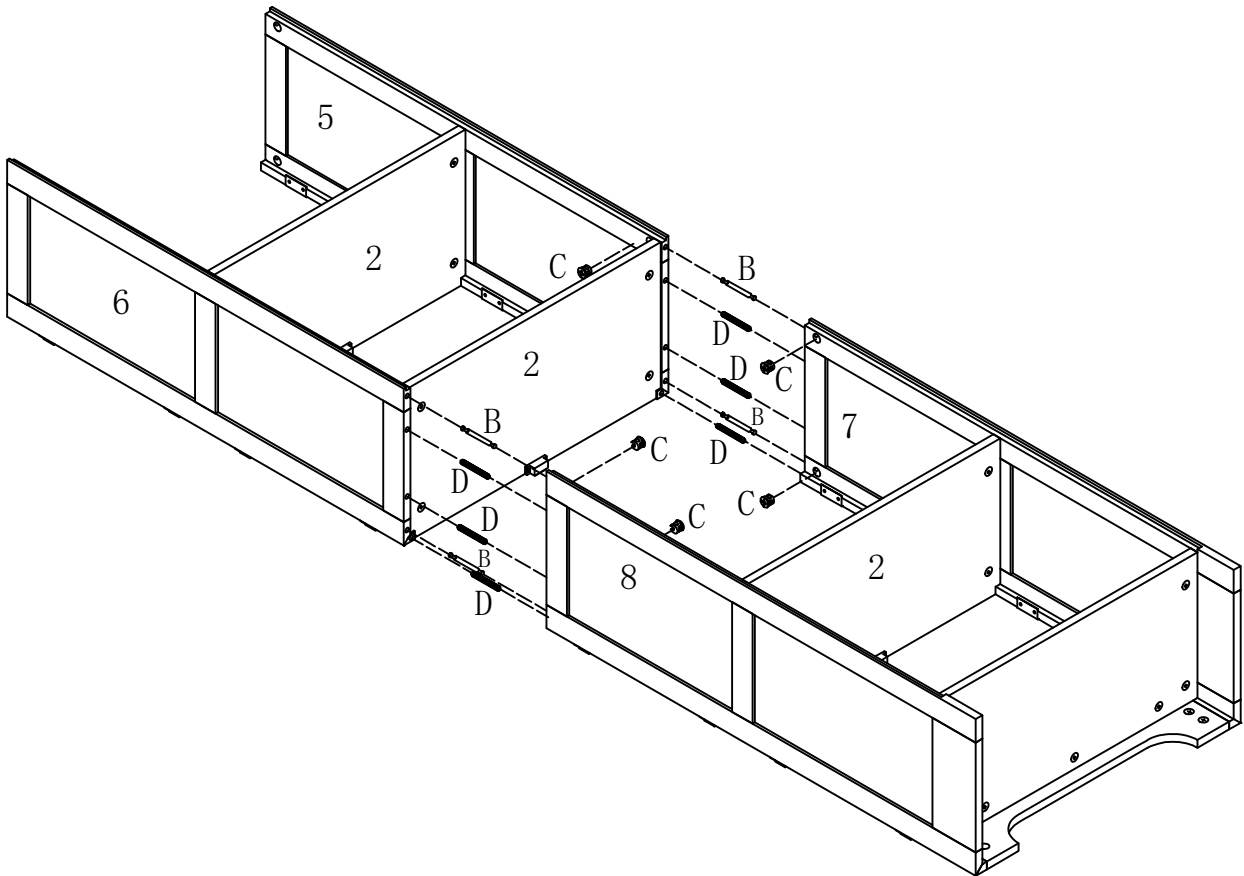
## STEP 9

C:		8PCS
D:		4PCS

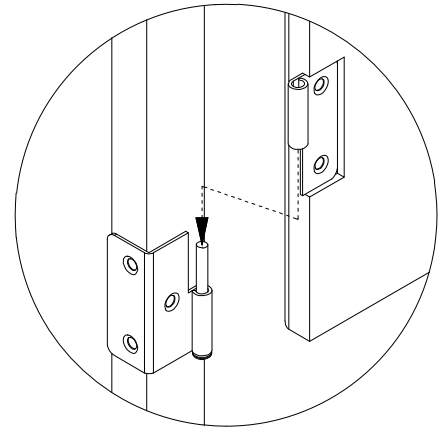
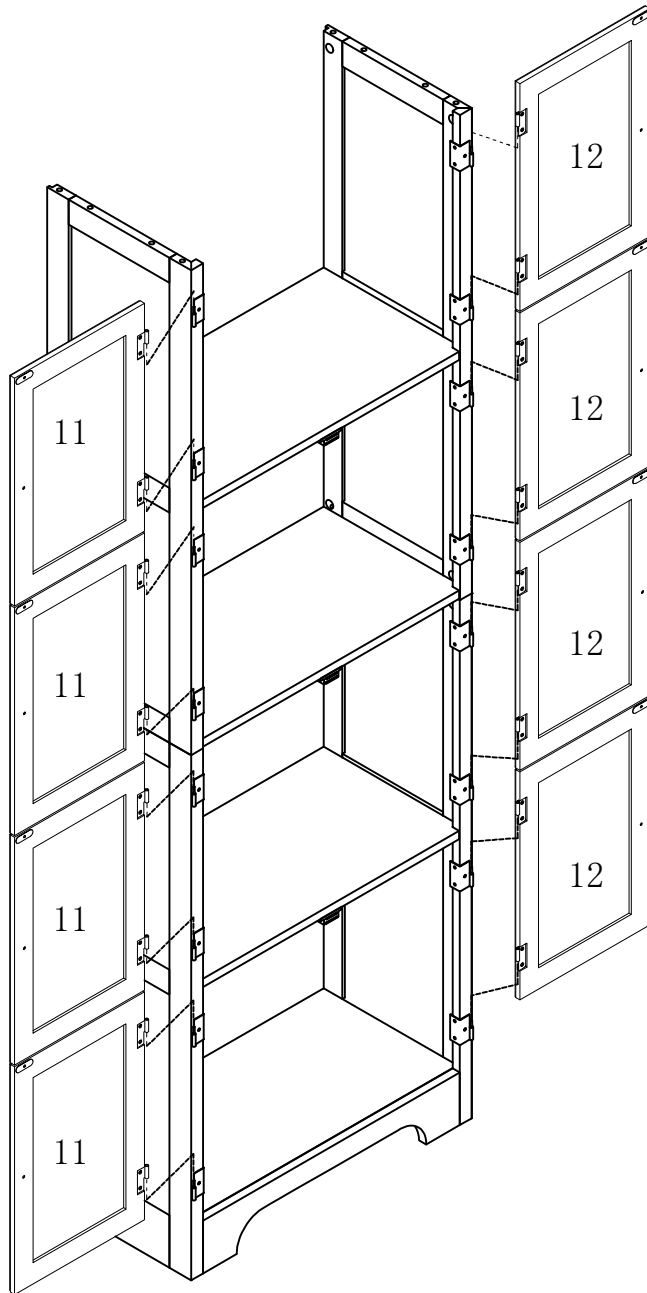


## STEP 10





B:		4PCS
C:		8PCS
D:		6PCS

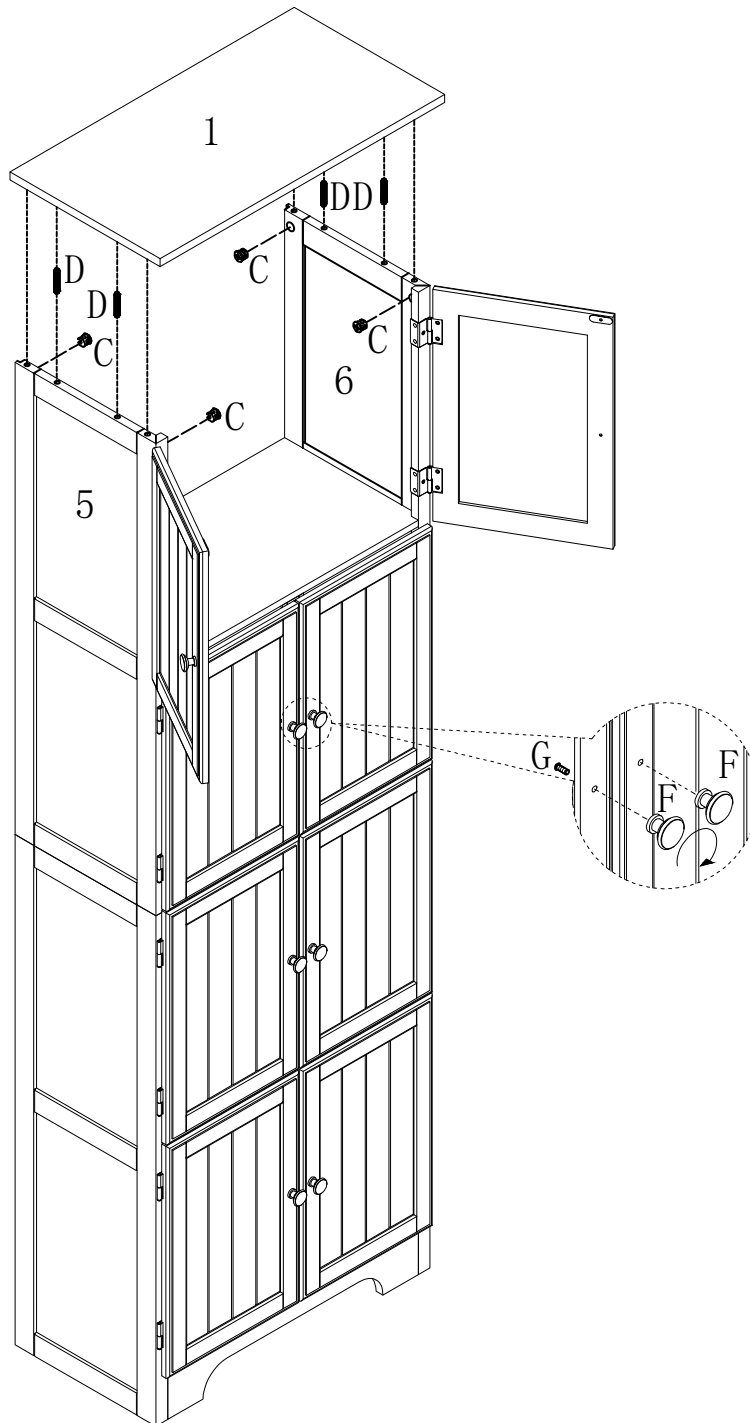


STEP 11



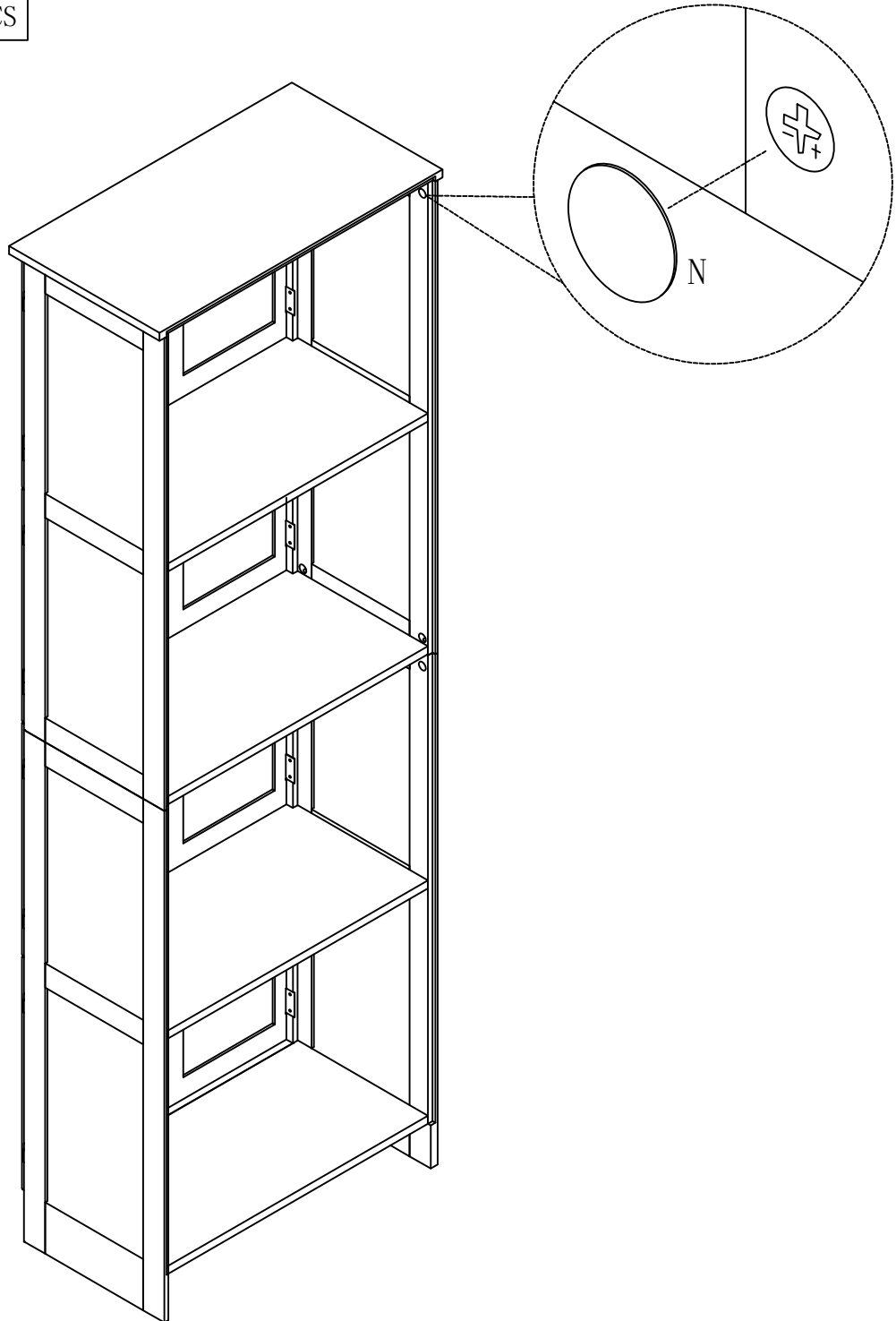
## STEP 12

C:		4PCS
D:		4PCS
F:		8PCS
G:		8PCS





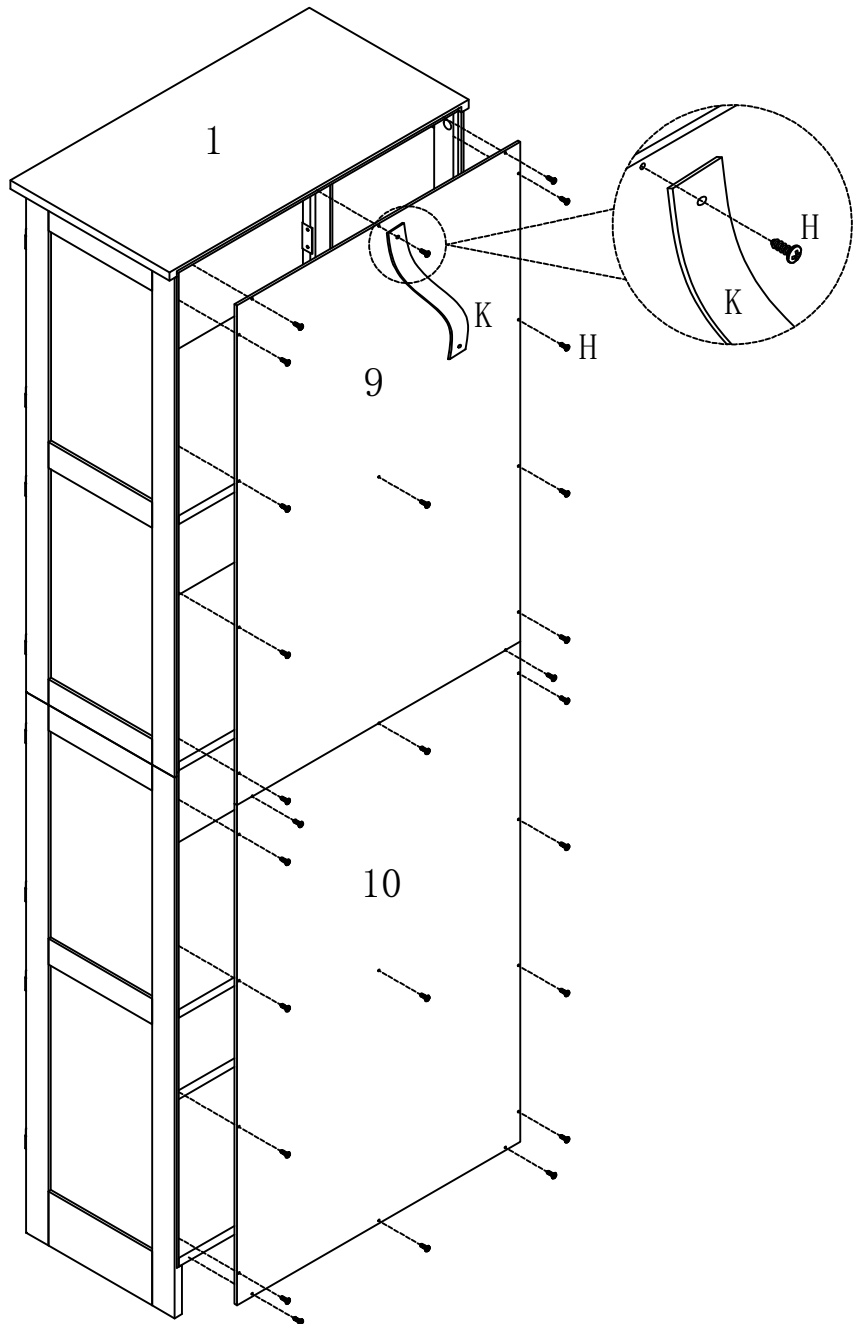
STEP 13

N:  36PCS





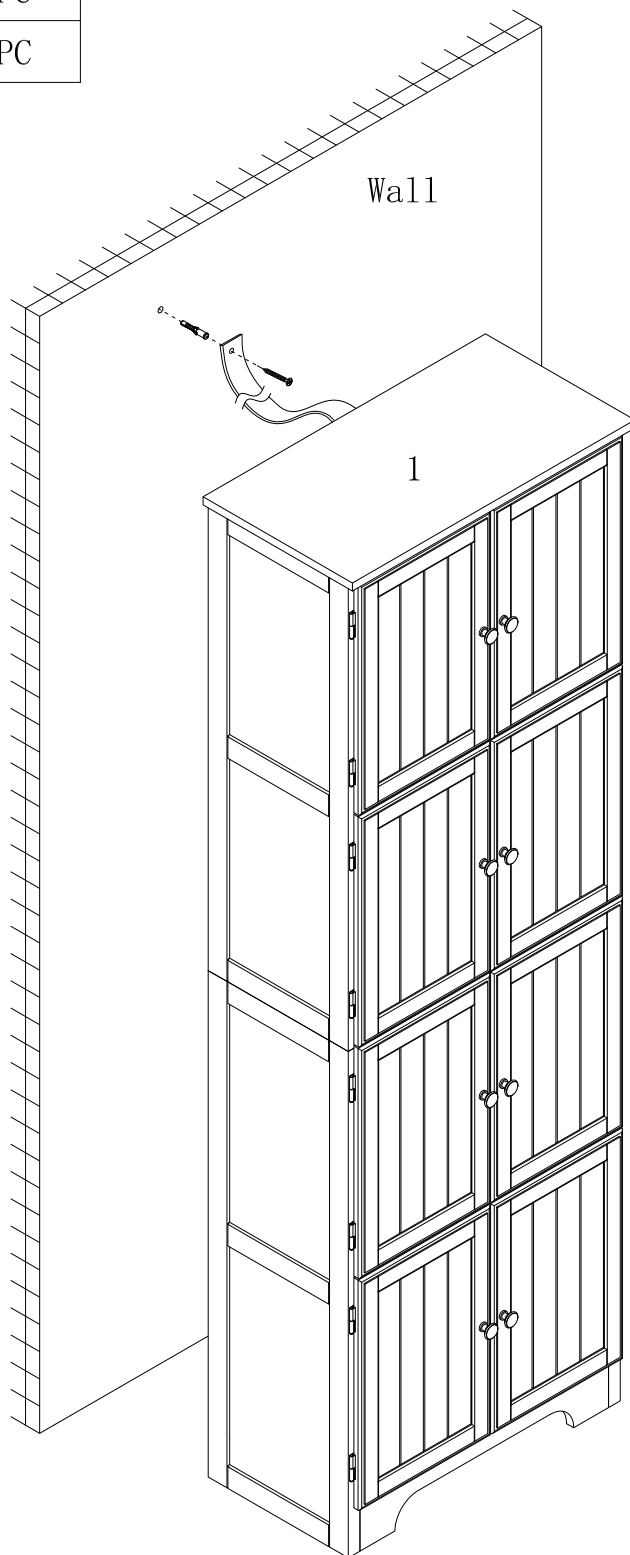
## STEP 14

H:		27PCS
K:		1PC



STEP 15

- |    |   |     |
|----|---|-----|
| L: |  | 1PC |
| M: |  | 1PC |



Wall

1

