

# Carolina Water Tank Instructions for Installing Rain Tank



Pick location.



Level area for tank



Place tank in position.



Cut Downspout



Plumb Overflow drain



Finish connection into top of adaptor



Secure all connections & seal with silicone.

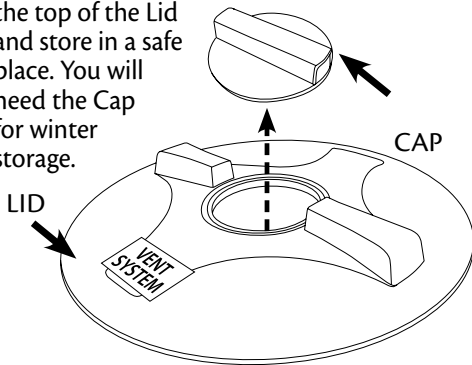
# Carolina Water Tank Instructions for Installing Rain Tank

10.

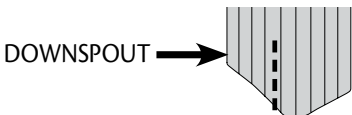
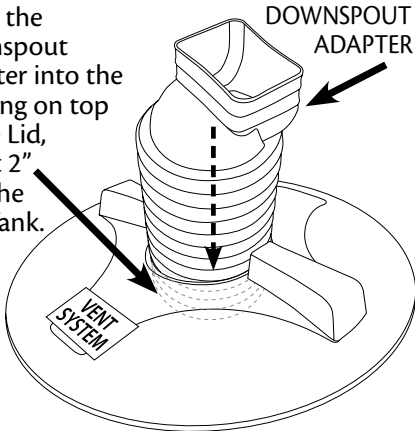


## Assembly Instructions for Rain Tank by Carolina Water Tank

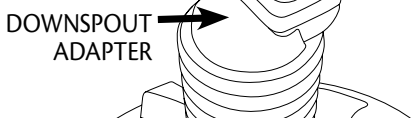
Remove Lid from Rain Tank. Inside Rain Tank find the Downspout Adapter and remove it from inside the tank. Unscrew the Cap from the top of the Lid and store in a safe place. You will need the Cap for winter storage.



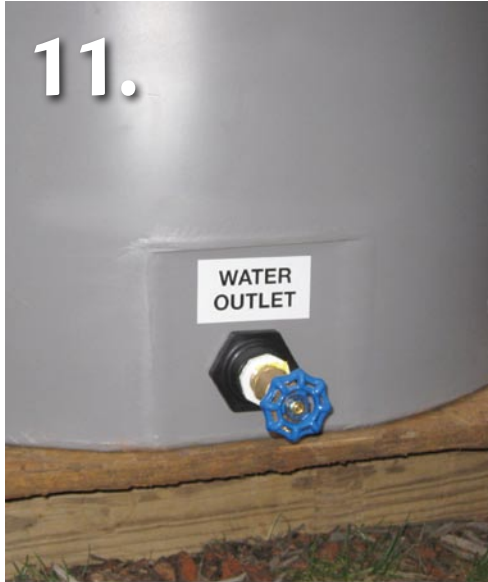
Insert the Downspout Adapter into the opening on top of the Lid, about 2" into the RainTank.



Insert your Downspout into the top of the Downspout Adapter



11.



Install valve & seal with silicone

12.



Wait for Rain to fill up tank.

13.



Wait for Rain to fill up tank.

14.



Landscape



(828) 625-6066 • Fax: (828) 625-6096 • Toll Free: 1-800-290-TANK (8265)

E-mail: h2otanks@dnet.net

www.CarolinaWaterTank.com