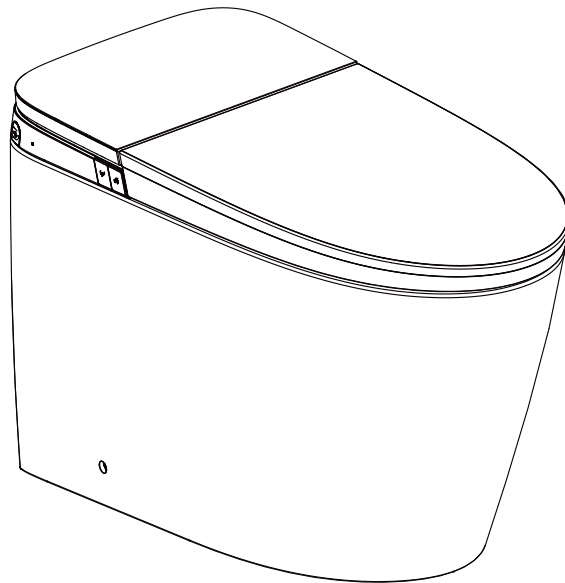



Instruction Manual

DV-1S0336

Smart Toilet



- 
- ※ Please read this manual thoroughly before using the product.
 - ※ Please do not hesitate to contact us if you have any questions in the installation or usage.
 - ※ Please keep this manual available for future maintenance or reference.

Contents

Safety Precautions.....	1
Components.....	4
Specification.....	5
Parts Names	6
Product Drawing	7
Power and Water Connections.....	7
ADA Compliant.....	8
Installation Precaution.....	9
Product Installation.....	10
Remote Control Installation Instructions.....	14
Remote Control Panel Overview.....	15
Using Instructions.....	16
Side Button Descriptions.....	18
Foam Agent Refill Method.....	19
Cleaning & Maintenance.....	20
Measures for Special Cases.....	21
Troubleshooting.....	22
Maintenance Service Sheet.....	24



Safety Precautions

To prevent damage to the unit and possible injury to users, please follow the safety warnings. Please be sure to carefully read through the user's manual before installation. Keep the user's manual after installation to refer to for troubleshooting advice.

Symbols And Meanings

 WARNING	Could result in serious injury.
---	---------------------------------

The following symbols are used to indicate important safety precautions when using the product.

	Prohibited.
	Pay close attention; caution.



WARNING

Do not use the product if you notice any of the following: abnormal heat, smoke, unusual sounds or odors, leakage, breakage, damage, or if the toilet pan is blocked. Continued use may result in electric shock, personal injury, fire hazards, or water leakage into your bathroom.

Using oil, gasoline, putty powder, nylon brushes, or any other non-neutral detergents to clean plastic parts such as the toilet seat cover is strictly prohibited. Failure to comply may result in chemical reactions, leakage, product damage, or personal injury.

The following are strictly prohibited, as they may result in electric shock or fire hazards: loosening an electrical outlet, removing or inserting the electric plug with wet hands, touching the electric plug during thunderstorms or lightning.

Do not use other electrical devices that exceed the outlet's load capacity or overload electrical outlets.

Detergent, water, washing liquid, or urine must not come into contact with the product body or the electrical outlet, as this may cause electric shock or fire hazards.



Prohibited

Prevent accidents! Do not allow children to stand on the bidet seat or cover, and refrain from placing heavy items on them.

Do not disassemble or repair this product yourself. Please contact a professional technician for any necessary maintenance or repairs. Attempting DIY repairs may cause severe damage to the product and will void all warranties.

~~Protect against electrical hazards—do not intentionally damage the electric plug or power cord. If you notice any damage, do not use or attempt to repair them yourself. Professional assistance is essential, as improper handling may result in short circuits, electric shock, or fire hazards.~~

~~If the power cord is not long enough to reach your intended location, do not use an extension cord.~~

~~Stoves or lit cigarettes must never be placed near the bidet, and cigarette butts must not be disposed of in the bidet.~~

~~Do not block the product's air openings. Keep the openings free from lint, hair, or similar obstructions.~~

~~Do not use the bidet while bathing or showering, as this may lead to electrical malfunctions and pose a risk of electric shock.~~

~~In bathrooms, please install air exchange equipment to maintain proper ventilation and dryness. This product is electrical and should not be installed in areas with high moisture levels or direct water exposure, as this may result in electric shock or fire hazards.~~



WARNING



Caution

Before cleaning, disconnect all electric power supply. Do not use water for direct cleaning of this product, as doing so may result in electric shock or fire hazards.

Do not expose the bidet directly to the sun or place it under a skylight. Direct sunlight may cause color fading and surface damage due to temperature instability.

Do not use industrial water, wastewater, seawater, reclaimed water, or any other sewage as the water source, as it may lead to skin inflammation and other health issues.

Individuals (including children) with physical, perceptual, learning disabilities, or limited experience and common sense must use the product under the guidance or supervision of someone else, as failure to do so may result in electric shock, injury, or fire.

Ensure the electric wiring plug is a waterproof plug. The assembly location of the electric plug must be at a height of over 0.5m (19.7 inches) above the floor and positioned away from the shower and bathtub to prevent the risk of electrical shock.

When installing this product, replace old hoses with new ones to maintain the integrity and safety of the product's installation.

The grounding wire of this product must conform to the specified construction mode, and the three-level grounding structure must be properly grounded. Failure to adhere to these grounding requirements will result in the prohibition of using this product.

This product is for use with a nominal 120V circuit, and a GFCI receptacle is required. Do not use with an ungrounded outlet.

For the installation of this product in the same room, it is essential to have a water inlet angle valve switch within easy reach. This valve serves as an emergency shut-off, allowing you to swiftly cut off the water supply to the product without requiring any tools. Neglecting this crucial step may lead to unforeseen product malfunctions, resulting in potential inconveniences or losses for the user.

If you haven't used this product for an extended period, follow these steps to ensure its proper operation and your safety:

- 1) Turn off the water supply by closing the angle valve.
- 2) Press the water release button to drain the water from the ceramic reservoir.
- 3) Turn off the power.

When using the product again, run a cleaning cycle to prevent water quality issues and promote hygiene.

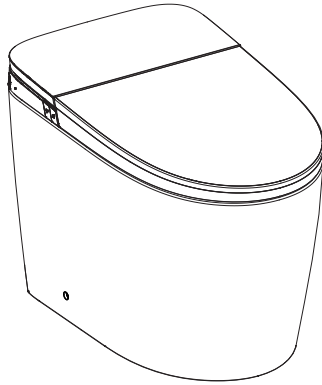
During periods of freezing temperatures (when the outside air temperature falls below 0°C / 32°F), it's important to take the following precautions to avoid potential water leakage and ensure the proper operation of the bidet:

- 1) Close the water inlet valve to prevent freezing-related issues such as water leakage from external filters and accessories.
- 2) Drain any remaining water in the system.

If you encounter frozen pipes, raise the room temperature to allow the pipes to thaw naturally. Wait for normal pipe conditions before using the bidet. Using the product with frozen pipes may disrupt its proper functionality and cause damage to the product.

Components

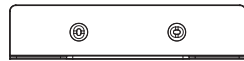
SMART TOILET



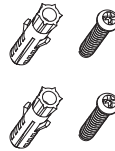
REMOTE CONTROL



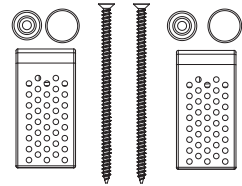
REMOTE CONTROL HOLDER



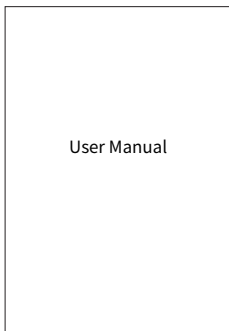
REMOTE CONTROL EXPANSION SCREW SET (2 pcs each)



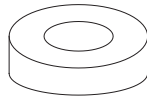
INSTALLATION ACCESSORIES



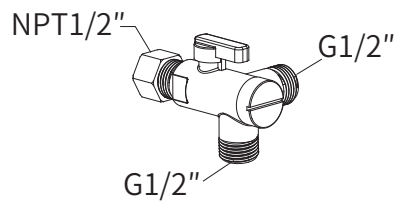
USER MANUAL



SEALING RING



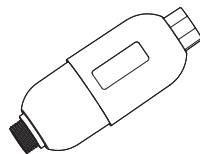
WATER INLET VALVE



FUNNEL



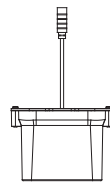
FILTER



15/16-14UNS ADAPTER



BATTERY BOX

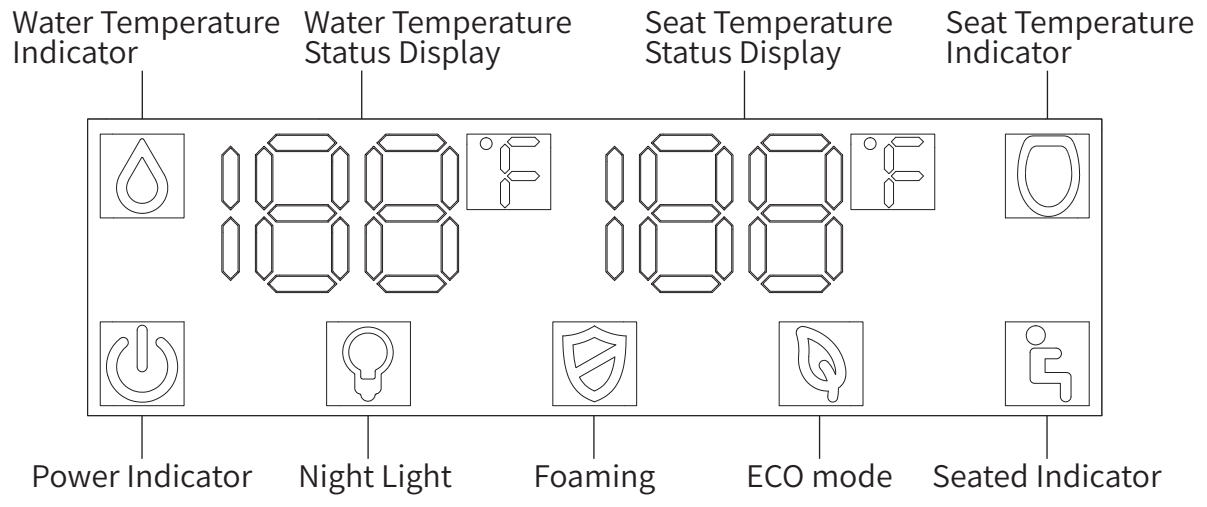
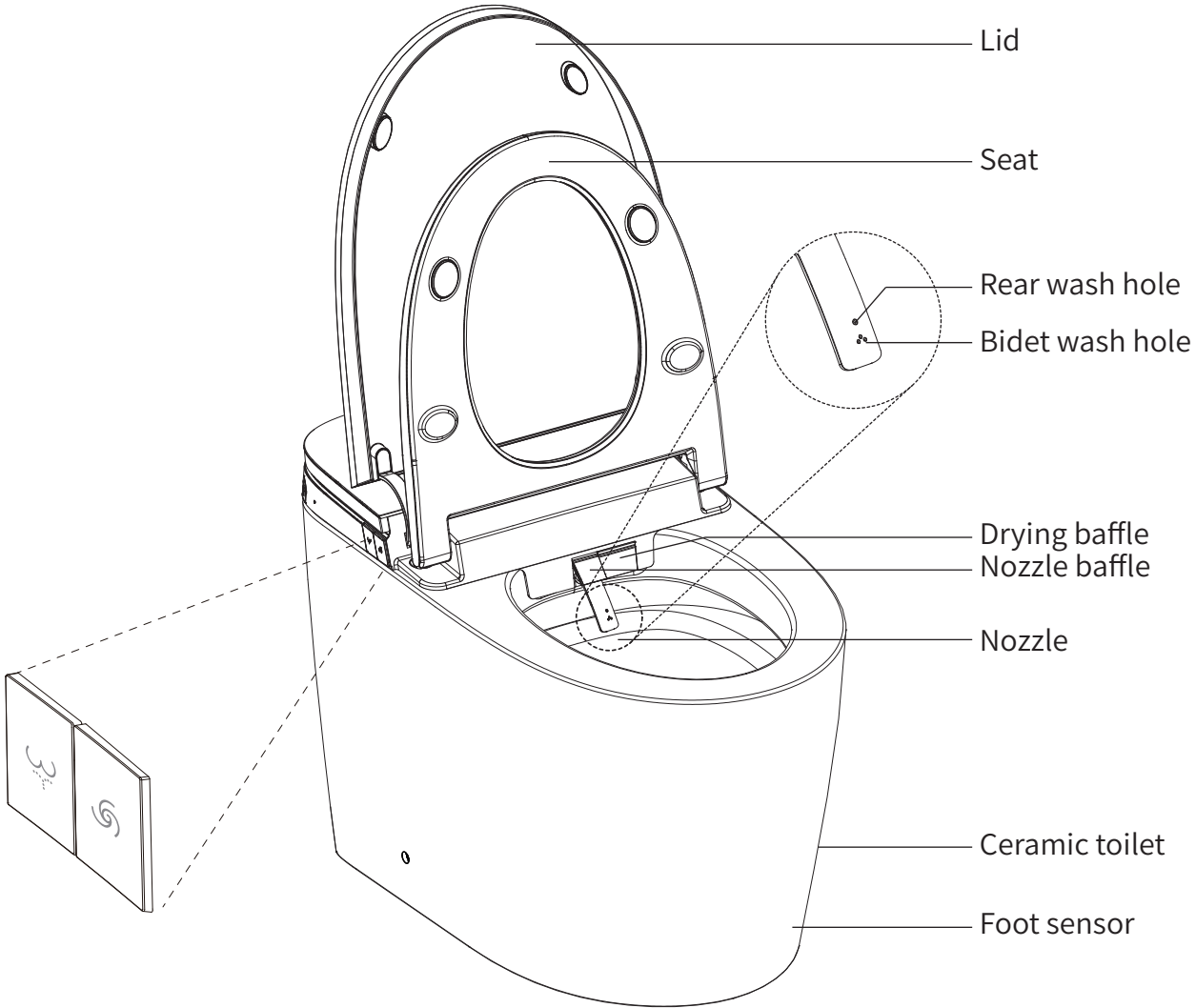


Specification

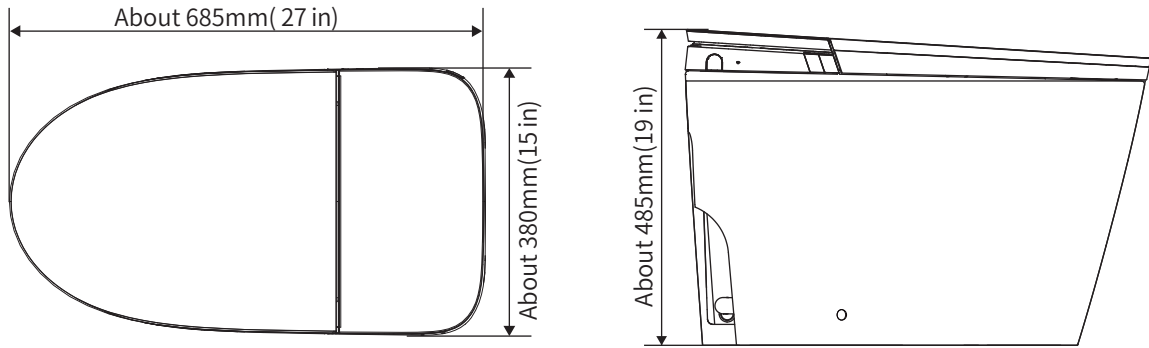
Rated voltage		100-130V~ 50/60Hz			
Power cord length		About 0.9m (35in)			
Cleaning	Water volume	Rear wash	About 0.5L (0.13 gal)-0.7L (0.18 gal) /min (Water pressure 0.2MPa, 3 levels adjustment)		
		Bidet wash			
	Swing		Oscillating cleaning forward and backward		
	Massage		Interval cleaning		
	Water volume / nozzle position		3 levels adjustment		
	Water temperature range		About 68°F-107°F (6-level adjustment, including an off setting)		
Safety device		Temperature limit circuit, thermostat, thermal fuse			
Drying	Warm wind temperature		About 89°F-134°F (6-level adjustment, including an off setting)		
	Safety device		Bimetallic thermostat, thermal fuse		
Seat	Surface temperature		6-level adjustment (including an off setting), room temperature		
	Safety device		Thermal fuse		
Self-cleaning	Antibacterial seat/nozzle		Antibacterial materials / Stainless steel nozzle		
	Automatic nozzle cleaning		Self-cleaning		
	Pre-wetting		Spray a circle of water after sitting		
	Sterilization		Nozzle / Ceramic		
Deodorization method	Activated carbon deodorant	Auto open/close lid/seat	Remote control, Foot sensing, Automatic induction		
Toilet	Flush consumption		1.27gpf (4.8Lpf)		
	Flushing mode		Siphon jet		
	Rough-in		305mm (12.0 in)		
Rated power	1150W	Maximum power	1800W	Waterproof level	IPX4
Water supply temperature	39°F-95°F	Ambient temperature	37°F-104°F	Net weight	About 43.3 kg (about 95.5lb)
Dimension	About 685 * 380 * 485 mm (About 27 * 15 * 19 in)	Water supply pressure	0.07Mpa - 0.75Mpa		

- ※1: Rated Power: At ambient temperatures between 59°F and 77°F, with inlet water static pressure of 0.18MPa ± 0.02MPa and inlet water temperature between 57.2°F and 60.8°F, set the water volume, seat temperature, and water temperature to their highest levels. Activate the bidet function and measure the average power consumption within 60 seconds after the outlet water temperature stabilizes.
- ※2: Maximum Power: At ambient temperatures between 69.8°F and 77°F, with inlet water static pressure of 0.18MPa ± 0.02MPa and inlet water temperature between 39.2°F and 42.8°F, set the water volume, seat temperature, and water temperature to their highest levels. Activate the bidet function and ensure stable operation at maximum power for a complete cleaning cycle.
- ※3: Water Consumption Test: At any test pressure of 0.14MPa, 0.35MPa, or 0.55MPa for water supply, ensure that there is no leakage at each interface, clean the surface and water trap, and flush to seal the water at the normal water level. Adjust the flushing device to the specified water consumption and conduct 3 consecutive tests at each pressure (the water seal should be filled to the normal use level during each flushing cycle). Record the water consumption for each flushing cycle.

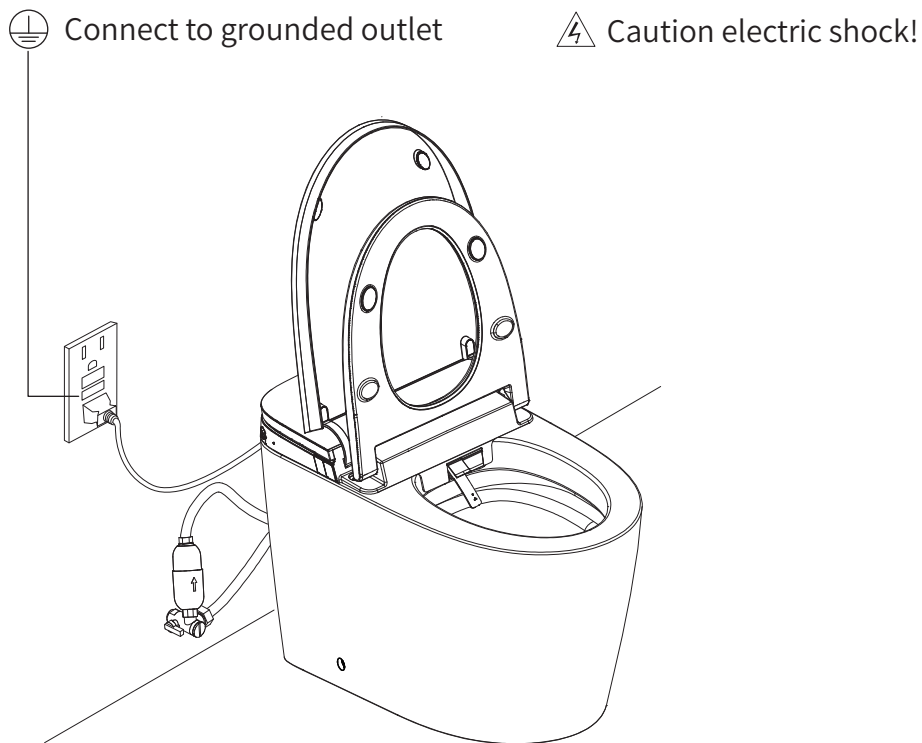
Parts Names



Product Drawings



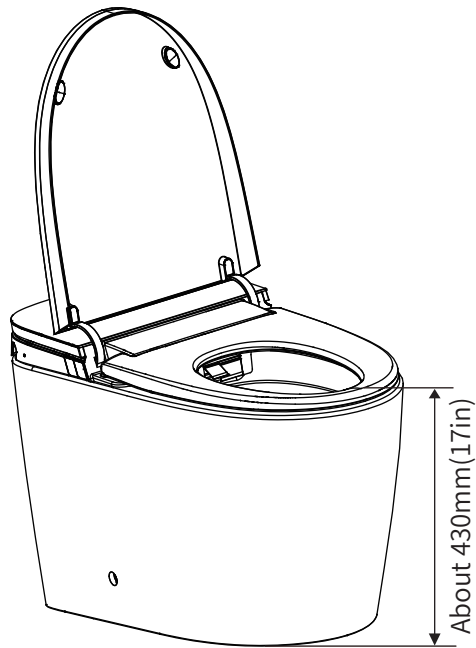
Power And Water Connection Tip



- ※ If the power cord is not long enough, do not use an extension cord.
- ※ For reference only. Actual bathroom sizes and configurations may vary.

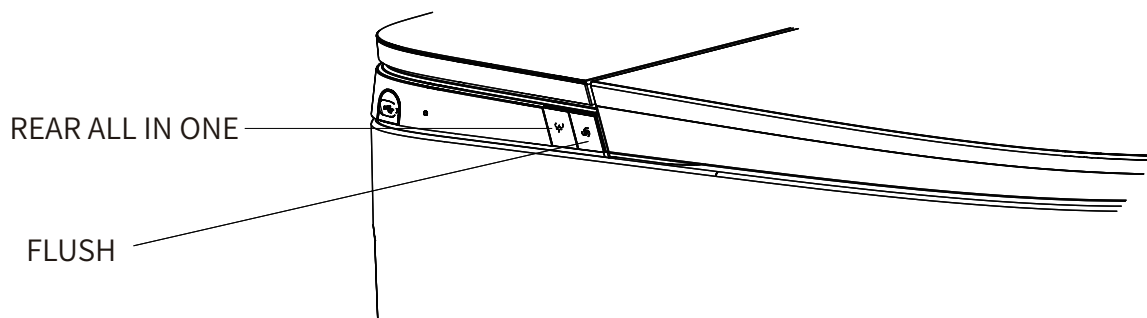
ADA Compliant

(1) Toilet seat height > 17 inches to ensure easy transfer for wheelchair users.



(2) This product has a voice function. Users can follow the prompts on the included voice card to operate the corresponding features. For example, saying "Hi toilet, open the lid" will cause the lid to open automatically.

(3) This product has a one-button butt wash function. When in use, the one-button control located on the right side of the unit automatically performs the butt wash, drying, and flushing processes.



Installation Precaution

- (1) Don't install our product in the room with more than 90%RH humidity (relative humidity).
It is suggested to separate dry space from moist one, such as installing shower rooms or shower curtains.
- (2) Only use the specified power supply, as using other sources may result in malfunction or damage.
- (3) Please do not supply water or power before finishing installation.
- (4) Please use wires and waterproof outlets rated for the power requirements of this product.
- (5) Install the waterproof outlet at an appropriate height on the wall.
- (6) The water supply pressure should be between 0.7kgf/cm^2 and 7.5kgf/cm^2 (0.07 MPa to 0.75 MPa). The toilet will not function properly if the water pressure is below 0.07 MPa.
- (7) The water-supplying temperature should be $39.2^\circ\text{F}\sim 95^\circ\text{F}$.

Notice:

Before installation, flush out any dirty water from the pipes. Residual sediment or debris may clog the system and cause damage to the bidet toilet.

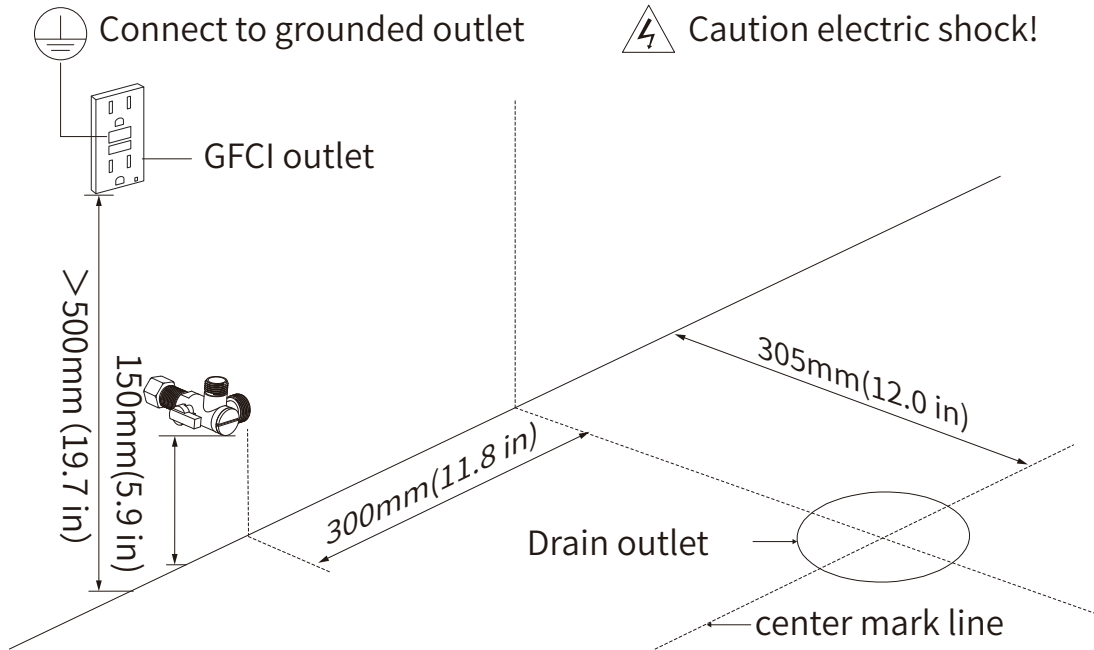
Recommended Tools



Product Installation

1. Install the water inlet valve

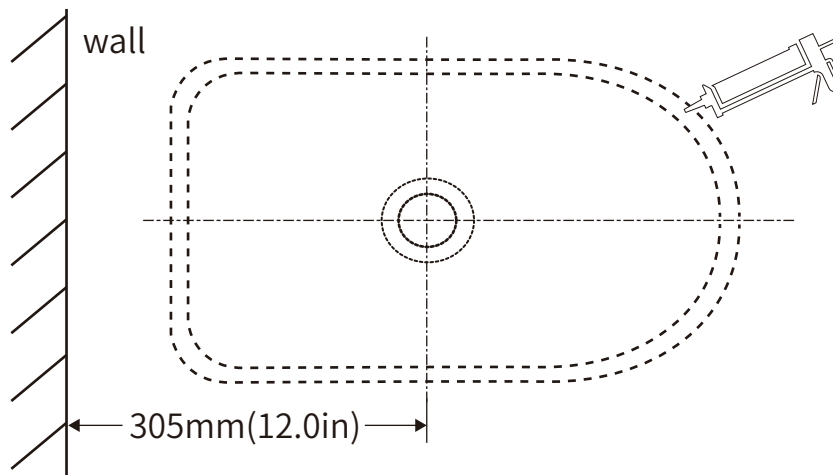
Clean and dry the floor before installation. Mark the center lines of the drainage outlet, then install the water inlet valve on the wall.



2. Mark the curve of ceramics

Align the ceramic toilet's drain hole with the center line. Mark the outline of the ceramic base for later installation.

Glass Cement Application: Apply glass cement along the marked outline to secure the toilet in place.

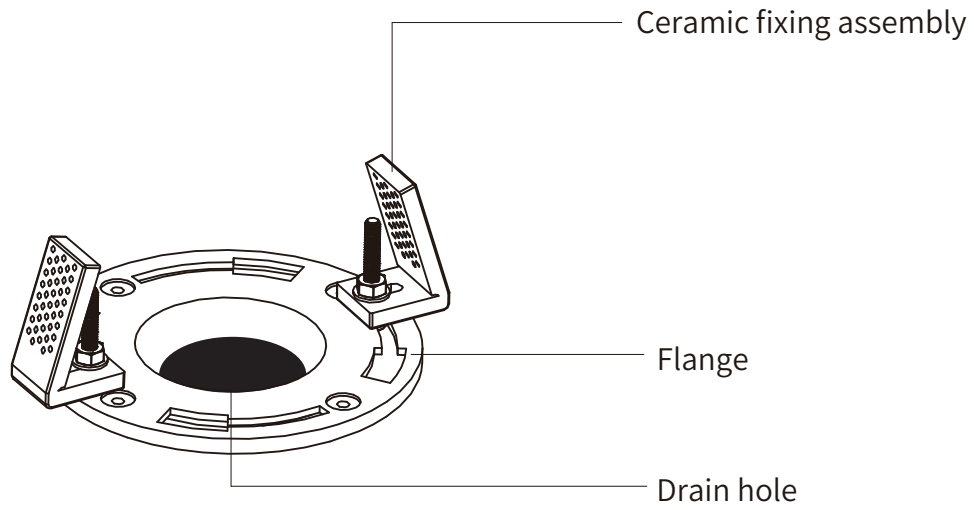


Product Installation

3.Toilet installation

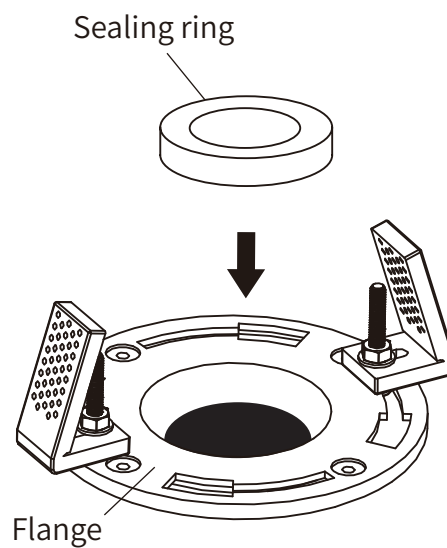
① Ceramic fixing assembly

Drill two holes on the floor as shown above, then secure the ceramic fixing assembly to the floor.



② Sealing ring installation

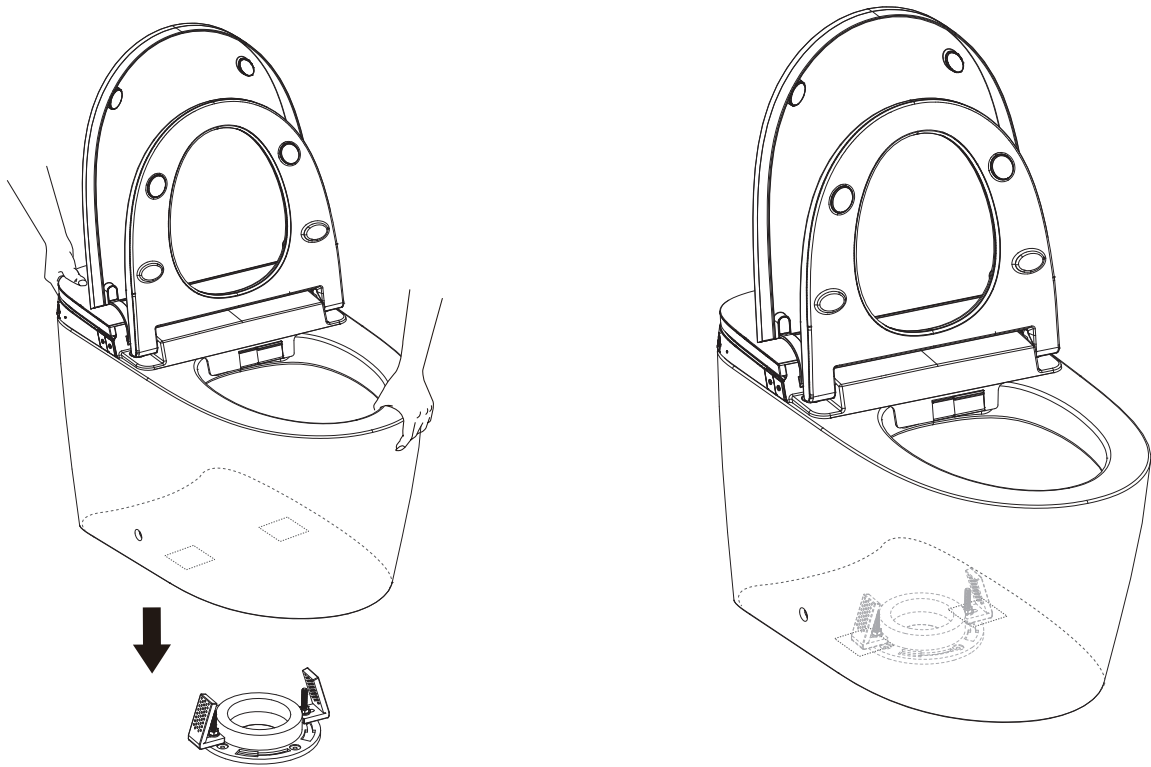
Place the sealing ring onto the flange.



Product Installation

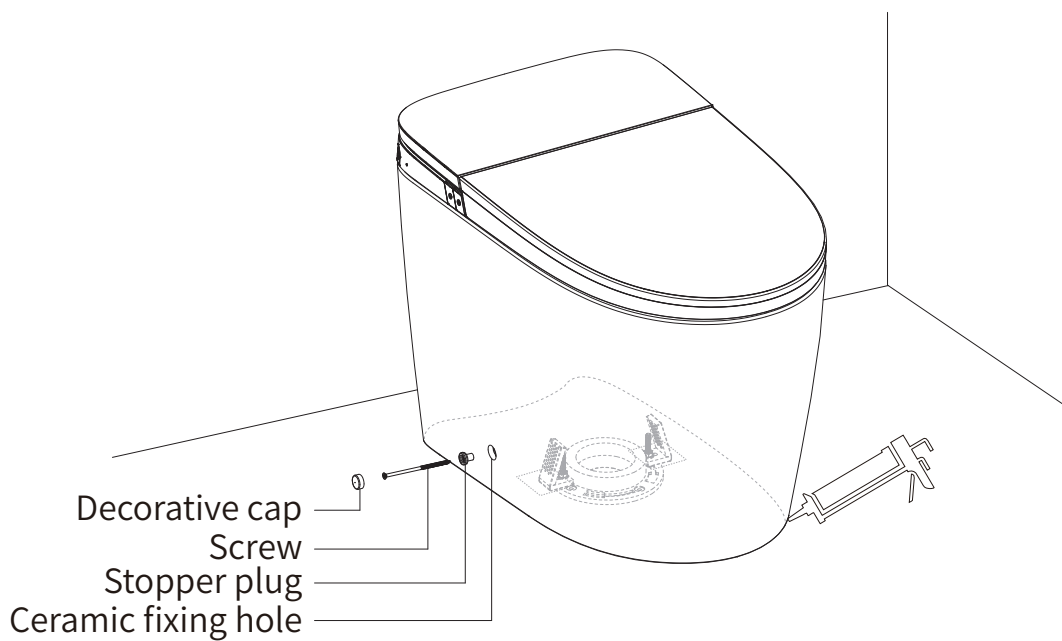
③ The toilet installation

Put the toilet on the fixed position.



④ Locking ceramic

Insert the fixing plug into the screw, then lock the ceramic fixing hole, and place the decorative cap on the back sleeve.

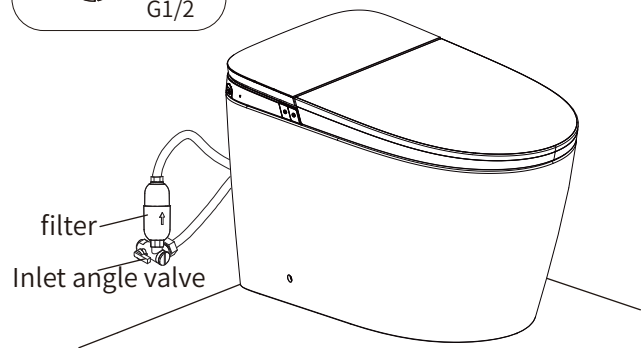
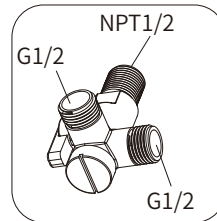
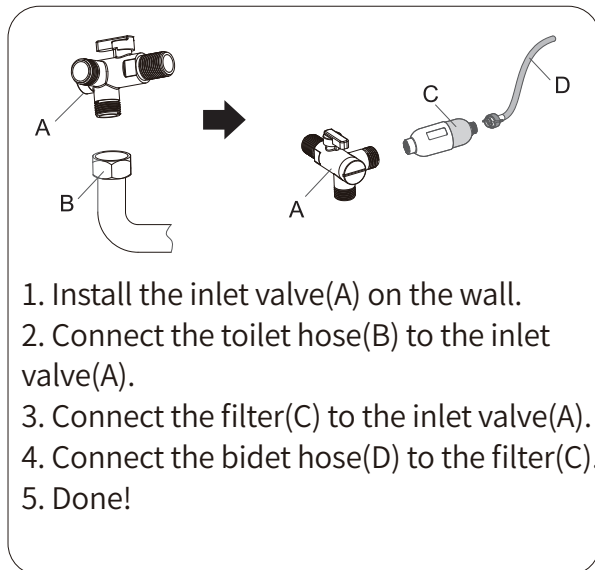


Product Installation

4. Connect to the water supply

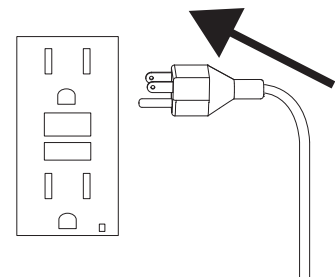
Follow the steps shown in the figures below.

Notice: Do not use the smart toilet immediately after installation. Please wait 48 hours before use.



5. Connect to power

Plug the power cord into the outlet and listen for the buzzer sound.



6. Using the product for the first time (Check that every function button on the remote control, the manual flush, and the side button work properly.)

① Open the water supply valve and connect the power plug.

Check that all product functions are working properly, including rear/bidet wash, drying, flow adjustment, water temperature adjustment, massage cleaning, swing cleaning, LED display, seat heating adjustment, etc.

② Rear/front wash performance test.

Press the seat sensor with your hand to check if the nozzle functions correctly.

※ **Notes:** Make sure to open the water supply valve and connect the power plug.

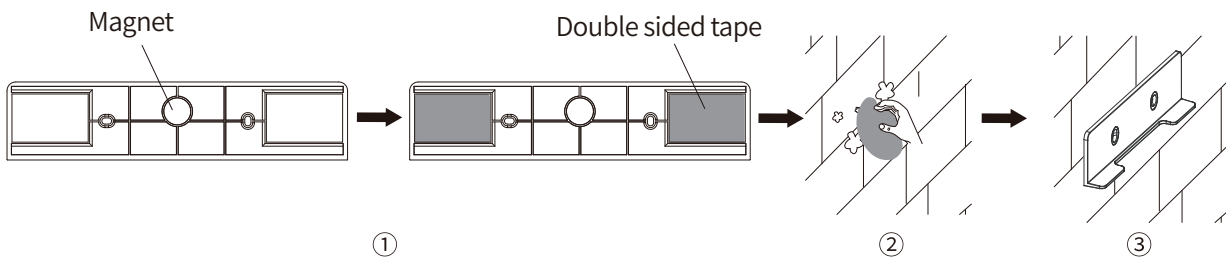
When using the product for the first time, press the rear/bidet wash button on the remote control. If the toilet does not work, it may be due to a lack of water or a blocked seat sensor.

Remote Control Installation Instructions

Method 1:

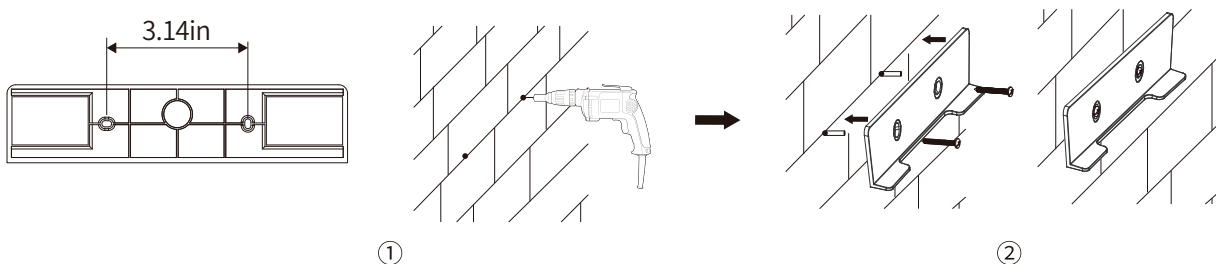
- ① Attach the double-sided tape to the remote control mounting bracket.
- ② Clean the wall surface to remove dust, grease, and water droplets. Make sure it is dry and clean.
- ③ Firmly press the mounting bracket with the tape against the wall for 3 to 5 minutes.

Note: This method is suitable for glazed tiles, glass, and smooth walls.



Method 2:

- ① Drill two holes in the wall, 3.14 in apart and 0.87 in deep, using a drill bit with a diameter of 0.18 in.
Note: The hole positions should allow the user to easily reach the remote control while seated.
- ② After drilling, insert the wall plugs (expansion anchors), align the mounting bracket holes with the wall plugs, and secure the bracket with screws.



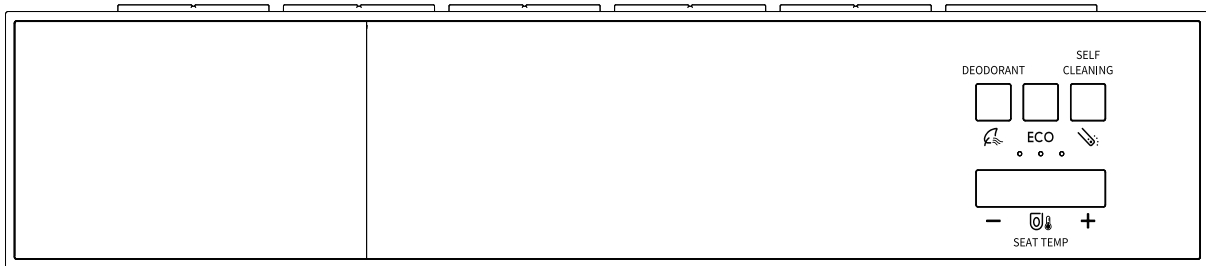
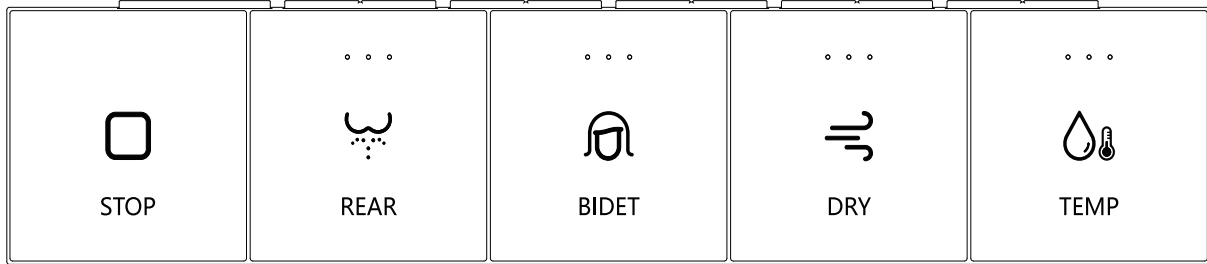
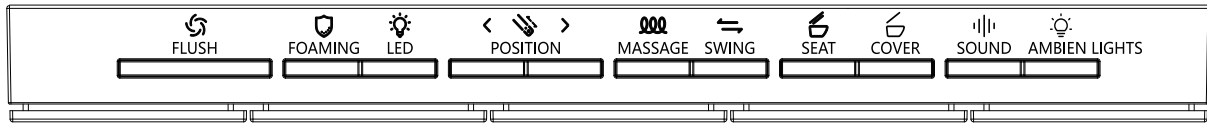
Place the remote control onto the mounting bracket after installing the batteries. The remote control will automatically attach to the bracket.



NOTE:

- ※ Please place the remote control on the mounting bracket when not in use to prevent it from falling.
- ※ Dropping the remote control may cause damage.
- ※ Do not spill water on the remote control or submerge it in water, as this may cause malfunction.

Remote Control Panel Overview



Remote Control Pairing: After the product is connected to the power supply, the remote control pairing must be completed within 2 minutes after the buzzer sounds.

※ At the same time, press the "BIDET" and "DRY" buttons on the remote control. After 5 seconds, the "REAR" , "BIDET" , "TEMP," and "DRY" buttons will flash simultaneously. Press the "TEMP" button to adjust the level as needed. Then press the "STOP" button. If the buzzer sounds once, pairing is successful and the remote control is now linked to the product. If the buzzer sounds twice, pairing has failed.

Using Instructions

STOP

Press the "STOP" button to stop the current function.

REAR

Press the "REAR" button to initiate rear washing.

BIDET

Press the "BIDET" button to initiate anterior washing.

DRY

Press "DRY" to turn on drying. Each time you press "DRY" can adjust the wind speed by one level, 4 levels can be adjusted. Press "STOP" to turn it off.

FLUSH

Press "FLUSH" button to activate flushing.

FOAMING

Press the "FOAMING" button to active the anti-splash FOAMING function. Foam will spray out from the foam nozzle for about 10 seconds, and the interval between foaming generations is 20 seconds.

LED

Press "LED" button to turn on/off night light function.

POSITION

Press the "POSITION >" or "< POSITION" buttons to adjust the nozzle position.

MASSAGE

During "REAR" or "BIDET" mode, press the "MASSAGE" button for intermittent massage washing. Press again for continuous massage washing. Press once more to deactivate the massage washing function.

SWING

During "REAR" or "BIDET" mode, press the "SWING" button to enable or disable the oscillation function.

SEAT

Press the "SEAT" button to open/close the seat.

COVER

Press the "COVER" button to open/close the lid.

SOUND

Press the "SOUND" button to turn on/ off sound (excluding warning sound)

AMBIEN LIGHTS

Press the "AMBIEN LIGHT" button to turn on/ off ambien lights.

Using Instructions

WATER TEMP ADJUSTMENT

Under the Rear/Bidet washing mode, press the "TEMP" button to adjust the water temperature. There are 6 levels of adjustment available. The default setting is level 3 and the corresponding indicator will illuminate.

AIR TEMP ADJUSTMENT

Press the "DRY" button to start drying. Under the drying mode, press the "TEMP" button to adjust the air temperature. There are 6 levels of adjustment available. The default setting is level 3 and the corresponding indicator will light up accordingly.

SEAT TEMP ADJUSTMENT

Press the "SEAT TEMP -" or "SEAT TEMP +" button to increase or decrease the seat temperature by one level. The seat temperature is adjustable in 6 levels.

FLOW ADJUSTMENT

During "REAR" or "BIDET" mode, press the "REAR" or "BIDET" button to adjust the flow. There are 3 levels of adjustment available; the default setting is level 2.

DEODORANT

Press the "DEODORANT" button to turn on/off the deodorant function. When the deodorant function turned on, it would work automatically, when user sitting on the bidet seat and stop working, when user leaves.

ECO

Press the "ECO" button to enter ECO mode. Under ECO mode, seat temperature is under the lowest level(level 1) to save energy .under ECO mode. all indicator lights except for the power light and ECO indicator light are turned off

SELF-CLEANING

Press the "SELF-CLEANING" button to start nozzle self-cleaning.

MORE COMBINATION FUNCTIONS

Toggling the Auto Flushing: Press and hold the "STOP" + "FLUSH" buttons.

Toggling the Kick Flushing: Press and hold the "STOP" + "SEAT TEMP+" buttons.

Toggling the Kick Lid Opening: Press and hold the "STOP" + "MASSAGE" buttons.

Toggling the Auto Lid Closing: Press and hold the "STOP" + "COVER" buttons.

Toggling the Auto Seat Closing: Press and hold the "STOP" + "SEAT OPENING" buttons.

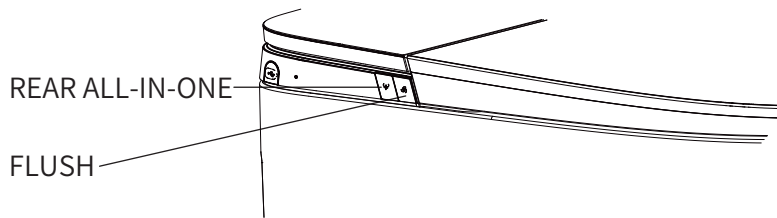
Toggling the Auto Deodorization: Press and hold the "STOP" + "REAR" buttons.

Toggling the Pre-wetting: Press and hold the "REAR" + "FLUSH" buttons.

Toggling the Microwave: Press and hold the "STOP" + "SWING" buttons.

Toggling the Auto-foaming: Press and hold the "STOP" + "FOAMING" buttons.

Side Button Instructions



■ Sitting

- REAR ALL-IN-ONE: Shortly press the button to perform automatic rear wash, auto flush and dry after washing.
- FLUSH: Short press "FLUSH" button to activate flushing.

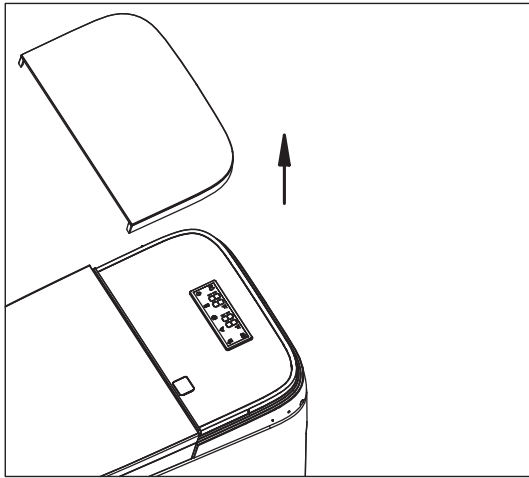
■ Foot sensing

- When the lid and seat are closed, short touch the sensing area with foot and the lid automatically opens.
- When the lid open, seat closed, short touch the sensing area with foot and the seat automatically opens;
- When the lid and seat were opened , short touch the sensing area with foot to active the flush function , at the moment , the lid and seat are closing.

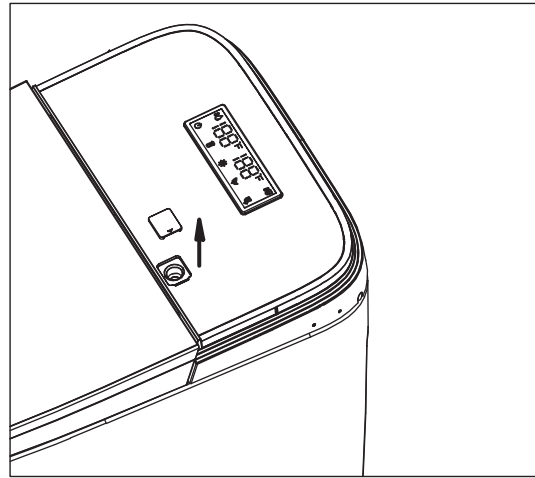
■ Auto open/close lid&seat

- When the lid and seat are closed, movable object close to the toilet, the lid automatically open and seat closed.
- When the lid or seat is open, sit down and then leave. Lid and seat will be closed automatically 90 seconds later.
- When the lid or seat is open, not sitting, lid and seat will be closed automatically 90 seconds later.

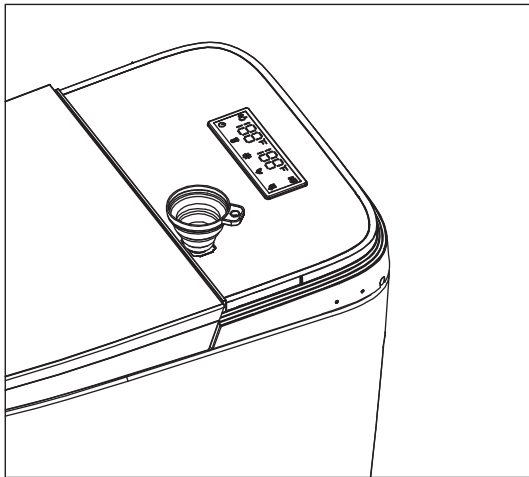
Foam Agent Addition Method



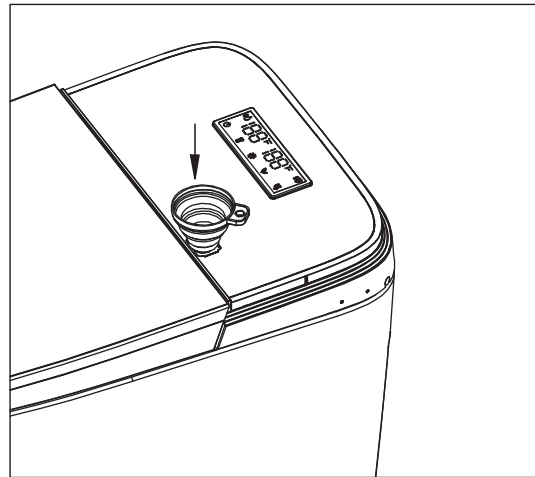
Remove the decorative cover assembly.



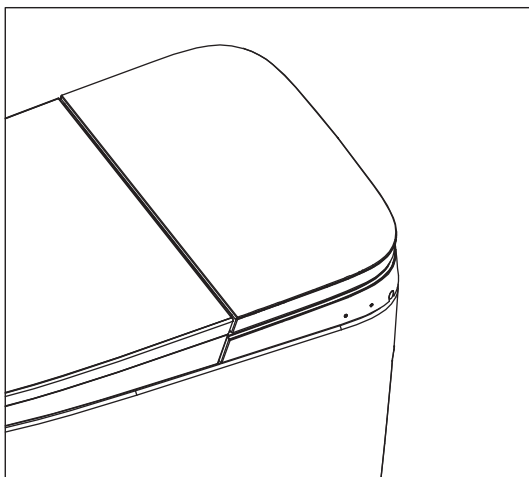
Unscrew the liquid filling cap.



Insert the funnel into the liquid filling port of the main body.



Add the designated foam agent through the funnel.



Reattach the liquid filling cap and decorative cover assembly to the main body.

* The foam agent should be filled up to the bottom edge of the liquid filling port to prevent leakage.

* Only use the designated foam agent—using other products may affect foaming performance or cause block-ages in the internal piping, which could result in malfunctions.

Cleaning

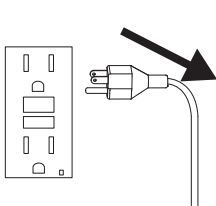
Maintenance and Cleaning of Lid and Seat

1. Disconnect the power and turn off the tee valve.
2. If using a mixture of water and cleaning agent or any approved cleaning solution, use a soft, damp sponge or cloth to clean the seat. Dry the seat with a soft towel or allow it to air dry.
 - ※ This product is an electrical appliance. Be careful not to let water enter the unit or leave detergent in the gap between the top unit and the bowl. Doing so may cause damage or malfunction.
 - ※ Avoid using materials that may scratch or damage the surface—clean only with a soft, damp sponge or cloth.
 - ※ Do not allow corrosive chemicals or cosmetics (e.g., abrasive cleaners or aftershave) to contact the seat surface, as they may cause damage.
3. Reconnect the power and turn on the tee valve.

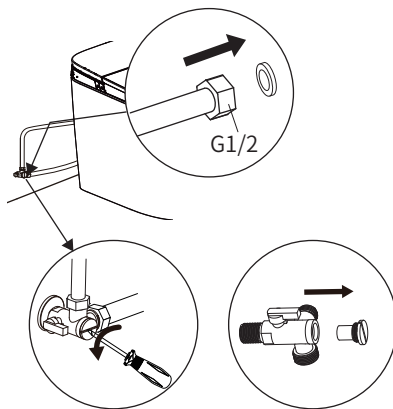
Maintenance and Cleaning of the Bowl

1. Disconnect the power.
2. The bowl can be cleaned with a toilet brush, toilet cleaner, or a similar tool.
 - ※ Do not use corrosive chemicals such as abrasive cleaners, strong acidic or alkaline cleaners, as they may damage the bowl surface.
 - ※ Avoid using wire brushes or abrasive nylon scrubbing brushes, which can scratch the surface.
 - ※ Do not apply water repellents, anti-stain cleaners, or surface coating agents.
3. Reconnect the power.
 - ※ Notice: If the bowl becomes clogged, use commercially available toilet unclogging tools.

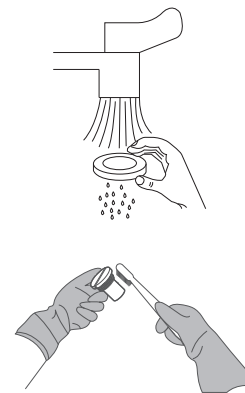
Cleaning the Water Strainer Filter



① Unplug the product and shut off the water supply.



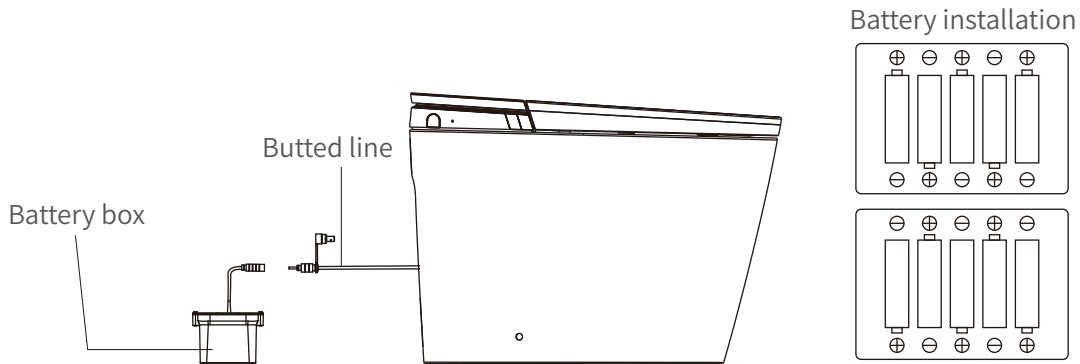
② Remove the water-inlet hose and take out the water strainer filter.
③ Use a flat-blade screwdriver to unscrew and remove the filter.



④ Rinse the filter screen thoroughly with clean water.
⑤ Reinstall the filter screen and tighten it securely to prevent water leakage.

Measures For Special Cases

When the toilet can't be flushed automatically due to power interruption.



When there is a power outage, pull out the butted line from the back of the ceramic, connect it to the battery box. Press the side flush button to achieve the flushing function.

When the toilet can't be flushed automatically due to water interruption.

- ① Flush away the sewage in the toilet by a special basin for taking in water.
- ② After water flushing, water level is lowered and water is added to avoid stink.

Notice:

When the toilet can't be flushed automatically due to water interruption. After long-term idle condition, make sure to wash it several times and ensure the inner pipelines are cleaned before use.

Maintenance in case of long-term idle status

- ① Disconnect the power plug, and turn off the tee valve, unscrew inlet hose. Exhaust the water inside inlet hose.
- ② Press the release button of the product, exhaust the water inside the toilet.

Troubleshooting

Phenomenon	Reasons	Measures
The product is not working.	Whether the power supply is plugged in.	Insert the plug or check the power socket.
	Power failure.	Wait until the power is restored.
<ul style="list-style-type: none"> ▶ Rear cleaning ▶ Bidet cleaning ▶ Dry 	The wand extends but water does not come out.	Has a water failure occurred? Press the "STOP" button and wait until the water failure is over.
	The cleaning water pressure is weak.	Is the water supply valve closed? Turn on the tee valve.
		Is the water filter drain valve clogged with foreign matter? Clean or replace the filter.
The toilet does not flush even when the button is pressed.	Low water temperature setting.	Use the water temperature keys on the remote control to adjust the cleaning water temperature.
	The seat sensor may have difficulty detecting some sitting posture.	Sit back on the toilet seat.
The nozzle stops cleaning suddenly.	If the user moves too fast or leaves the seat, the seat sensor cannot detect in a short time.	Sit back on the seat sensor detection position, then start the relevant button.
Low water pressure when rear/bidet wash.	The filtration screen of the inlet angle valve may be blocked.	Clean or replace the filter.
	The water-inflow hose may leakage.	Check the hose and tighten it.
Deodorization effect is not obvious.	The seat sensor does not sense someone sitting (no deodorizing sound).	Sit back on the seat sensor detection position.
	The activated carbon filter block or spacer may be blocked.	Remove the deodorizing window to clean or replace the activated carbon filter.
Deodorant function continues to work after user leaves.	The deodorant function will continue to work for 20 seconds in order to remove the residual odor after the user leaves.	It's common phenomenon.
Water comes out unexpectedly from the wand.	Abnormal operation.	Disconnect the power plug and wait about 1 minute before inserting it again.
Water comes out unexpectedly from the inlet hose.	The inlet hose may be damaged.	Replace the inlet hose.
The toilet seat does not get warm.	The seat sensor may have difficulty detecting some sitting postures.	Sit back on the toilet seat.
	The toilet seat temperature is set at a low level.	Use the remote control to adjust seat temperature.

Troubleshooting

Phenomenon	Reasons	Measures
The drying temperature is too low.	Lower dry temperature is set.	Use the remote control to adjust dry temperature.
The toilet does not flush when the button is pressed.	Water is not available from the water supply.	Use a bucket full of water to flush.
	The water supply valve is not fully open.	Check the tee valve.
Waste material does not flush down completely.	The water supply valve is not fully open.	Check the tee valve.
	The water filter is clogged.	Clean the filter.
	The water supply to the toilet may be disrupted by other running water fixtures.	Cease using other fixtures and then flush the toilet.
	Flushing may be difficult due to the consistency of the waste material.	Flush the toilet again. If the bowl is not cleaned after flushing, remove the stains with a brush or similar instrument.
There is residue on the bowl unit surface.	Oil and other hard-to-see grime may stick to the bowl unit surface.	Clean the bowl with a non-abrasive toilet detergent.
The toilet does not flush when water pressure is normal.	Flushing valve failure.	Please have professional maintenance personnel check and maintain the unit.
The remote control fails to control the toilet.	Lower battery.	Replace with new batteries.
	Battery polarities are mounted reversely.	Reinstall properly.
	The remote control is too far from the toilet.	Get close to the toilet.
	The remote control transmitter or the top unit receiver may be blocked.	Remove obstructions, dirt, water droplets or any other blockages.
LED.	The indoor light is too bright.	Please turn off the indoor light and close the curtain.
The top unit is unstable.	There is clearance between the toilet seat cushion and the bowl.	It's common phenomenon.
Water is leaking from the plumbing connections.	Nuts in a connection are loose.	Tighten them with a tool such as an adjustable wrench.
	The water leak does not stop.	Close the water supply valve and seek repair.
A strange sound is emitted from the top unit.	When the user sits on the toilet seat, the seat switch turns on. A click sound is heard.	This is a common phenomenon.

※Notice:

If you are in trouble, please read the above troubleshooting and repair the product according to the instruction of the solution. If the problem is not in the common troubleshooting, please contact the professionals, dealers, or call the national unified service hotline to ask for help.

Please note that there will be no any notification if any changes to this product and also accessories. There may be differences between contents and material objects, please subject to the latter one.

Maintenance Service Sheet

Product		Product code	
The selling store		Purchase date	
Province	City	Dealer (signature):	
Maintenance content			
<p>Free maintain regulation:</p> <p>1、Free maintenance is provided when you use it properly in accordance with instructions and under warranty.</p> <p>2、Please contact the dealer or the company if the fault occurs under warranty.</p> <p>3、The following situations is chargeable for maintenance under warranty:</p> <p>① Faults or damages caused by the improper operation, repair or reinstall.</p> <p>② Faults or damages caused by forced movement after the product is installed.</p> <p>③ Faults or damages caused by earthquakes, fires, floods, lightning strikes, corrosive liquids, abnormal voltages and other natural disasters.</p> <p>④ Faults or damages caused by other approaches which are not for family-use.</p> <p>⑤ Fail to provide the maintenance-service sheet.</p> <p>⑥ There is no detailed records or there are modified records on the maintenance-service sheet.</p> <p>4、This maintenance-service sheet is valid.</p> <p>5、This maintenance-service sheet is unrepeatable, please safe keep it.</p> <p>6、The customer can go to the local repair network or sent the products back to the company for free repair within three years from the purchase date.</p>			
Warranty period: within two years from the purchase date			

- Due to the constant improvement about our products, we will keep the final interpretation of products change.
- If the products you bought exist differences from the instruction, please in kind prevail.



NOTE: This equipment has been tested and found to comply with the limits for a Class B digital device, pursuant to Part 15 of the FCC Rules. These limits are designed to provide reasonable protection against harmful interference in a residential installation. This equipment generates uses and can radiate radio frequency energy and, if not installed and used in accordance with the instructions, may cause harmful interference to radio communications.

However, there is no guarantee that interference will not occur in a particular installation. If this equipment does cause harmful interference to radio or television reception, which can be determined by turning the equipment off and on, the user is encouraged to try to correct the interference by one or more of the following measures:

- Reorient or relocate the receiving antenna.
- Increase the separation between the equipment and receiver.
- Connect the equipment into an outlet on a circuit different from that to which the receiver is connected.
- Consult the dealer or an experienced radio/TV technician for help.

