

Product Information

| | |
|---|-------------------------------|
| Applicable product: | |
| Bath whirlpool with heater – drop-in | K-1154-HC |
| Fixture*: | |
| Basin area: | |
| Bathing well | 44" (1118 mm) x 36" (914 mm) |
| Top area | 56" (1422 mm) x 43" (1092 mm) |
| Weight | 70 lbs (31.8 kg) |
| To overflow: | |
| Water depth | 15" (381 mm) |
| Capacity | 76 gal (287.7 L) |
| * Approximate measurements for comparison only. | |
| Pump: | V Hz A |
| 1-speed | 120 60 7.5 |
| Heater: | kW V Hz A |
| 1.5 | 120 60 12.5 |

Required Electrical Service

| | |
|---|--------------------|
| Two dedicated circuits required, each protected with Class A Ground-Fault Circuit-Interrupter (GFCI): | |
| Pump/control | 120 V, 15 A, 60 Hz |
| Heater: | 120 V, 15 A, 60 Hz |
| Locate the outlets behind the whirlpool and within 24" (610 mm) of the pump. | |

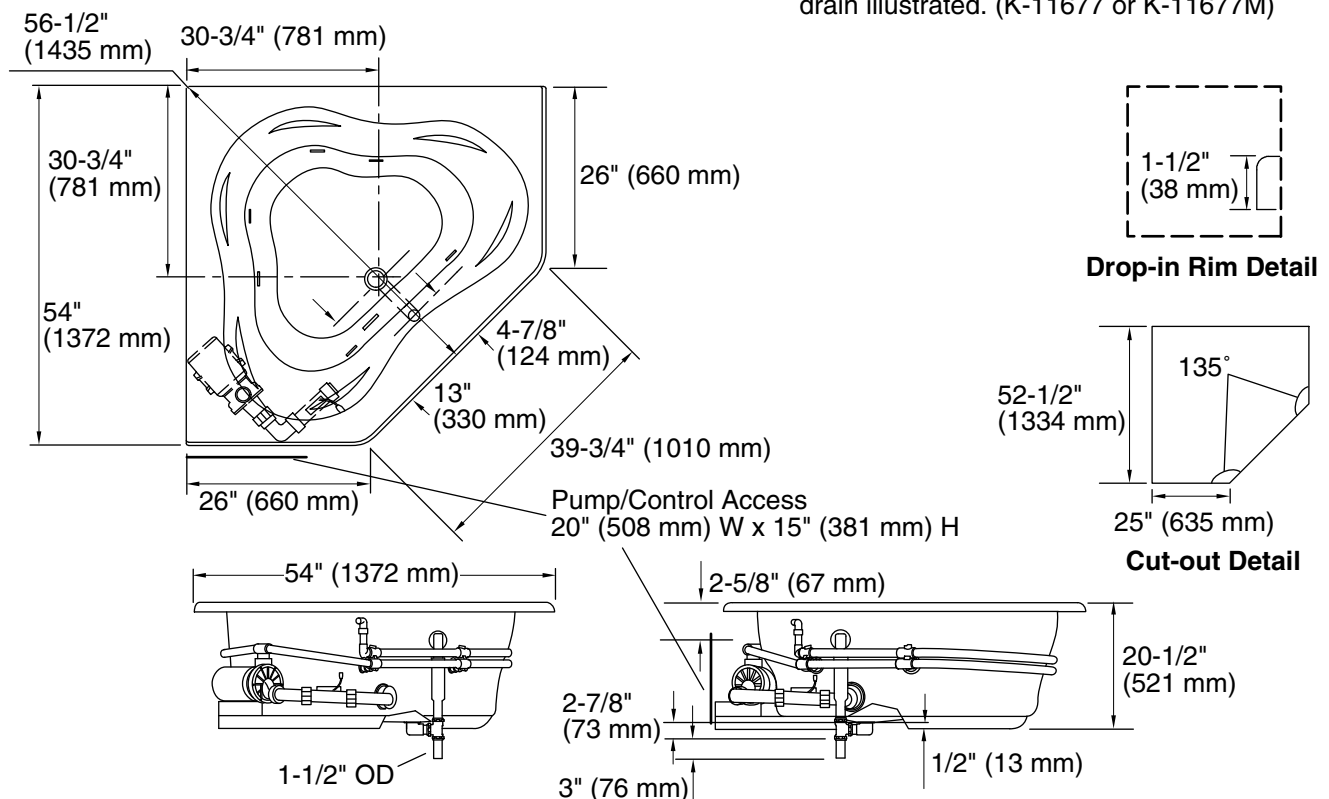
Installation Notes

Install this product according to the installation guide.

Pump must be relocated to custom position at the time of installation. Provide adequate clearance.

Floor support under whirlpool must provide for a minimum of 36 lbs/square foot (176 kg/square meter) loading.

Fixture conforms to ANSI Standard Z124.1.2. All dimensions are nominal.



No change in measurements if connected with drain illustrated. (K-11677 or K-11677M)