



Buy it for looks. Buy it for life.®

# Specifications

## DESCRIPTION

- Metal construction with various finishes identified by suffix
- Includes showerhead, arm, flange and diverter tub spout

## OPERATION

- Handle operates counterclockwise through a 270° arc with off at 6 o'clock and maximum hot at the 9 o'clock position. Shut off in clockwise direction
- Adjustable temperature limit stop to control maximum hot water temperature
- Pressure balancing mechanism maintains selected discharge temperature to ± 3°


## FLOW

- Showerhead is limited to 2.5 gpm (9.5 L/min) at 80 psi
- EP suffix models are limited to 1.75 gpm (6.6 L/min) at 80 psi
- NH suffix models contain no showerhead

## CARTRIDGE

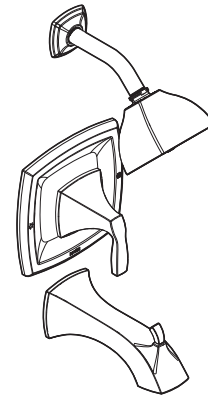
- 1222 cartridge design
- Accommodates back to back installations
- Nonmetallic, nonferrous and stainless steel material

## STANDARDS

- Third party certified to meet ASME A112.18.1/CSA B125.1 and all applicable requirements referenced therein
- EP suffix models are IAPMO Green listed and third party certified to WaterSense®
- **ADA**  for lever handle

## WARRANTY

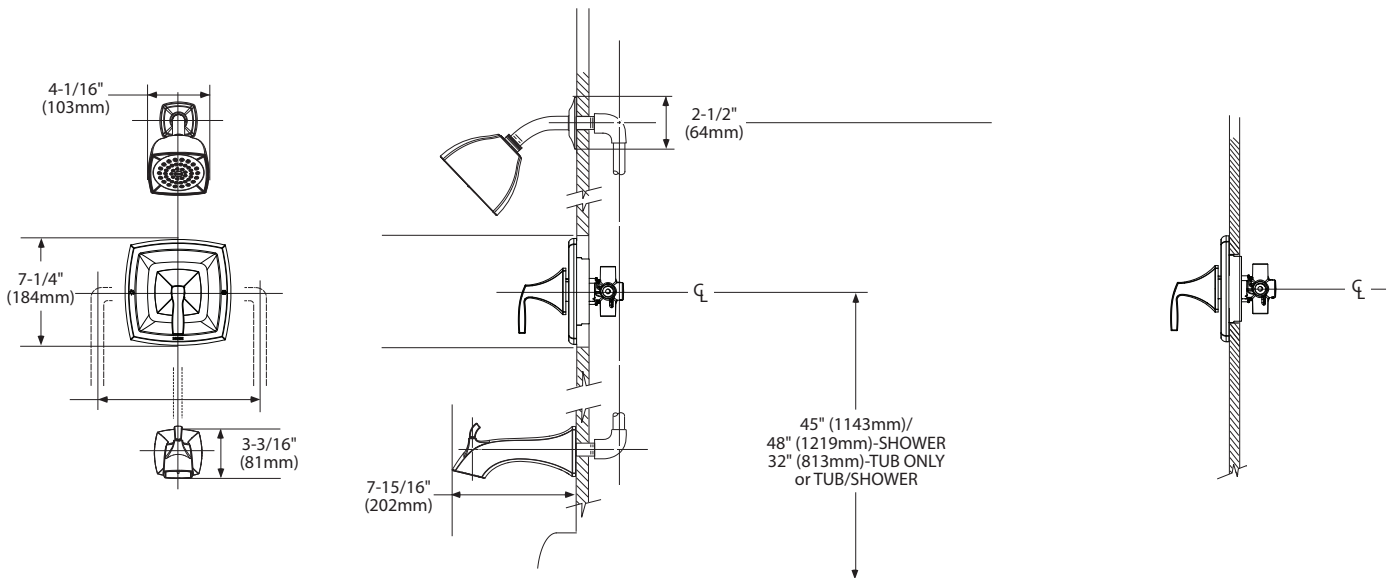
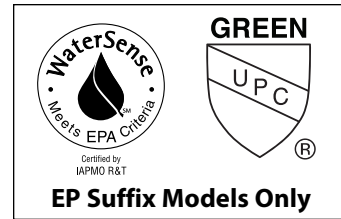
- Lifetime limited warranty against leaks, drips and finish defects to the original consumer purchaser
- 5 year warranty if used in commercial installations



## VOSS™ POSI-TEMP® Single-Handle Tub/Shower Trim Kit

- Models:** T2691 series - valve trim only  
 T2692 series - shower trim only  
 T2693 series - tub/shower trim

- Valves:** 62300 series  
 2500 series



**THICK WALL APPLICATION**

**THIN WALL APPLICATION**

## CRITICAL DIMENSIONS

(DO NOT SCALE)



FOR MORE INFORMATION CALL: 1-800-BUY-MOEN

www.moen.com

## DESCRIPTION

- Brass construction
- 1/2" CC or IPS connections
- Pressure balancing, four port, cycle valve

## OPERATION

- Adjustable temperature limit stop to control maximum hot water temperature
- Pressure balancing mechanism maintain selected discharge temperature to  $\pm 2^\circ\text{F}$

## CARTRIDGE

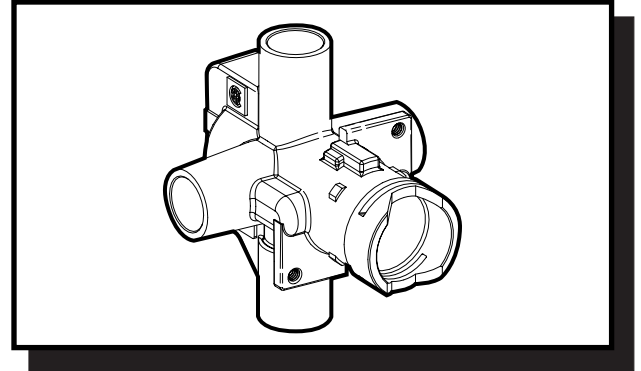
- 1222 cartridge design
- Nonmetallic/nonferrous and stainless steel materials
- Accommodates back to back installations

## STANDARDS

- Third party certified by CSA to meet CSA B-125, ASME A112.18.1M and all applicable requirements referenced therein

## WARRANTY

- Lifetime limited warranty against leaks, drips and finish defects to the original consumer purchaser
- 5 year warranty if used in commercial installations



**POSI-TEMP® VALVE**  
Pressure-Balancing Valve

**Models: 2520 (CC), 2510 (IPS) - Single Pack**  
**62320 (CC), 62300 (IPS) - Bulk Packed**  
(Bulk packed 12 per carton)

**NOTE: See reverse side**  
for illustrated parts

