

CARE AND MAINTENANCE

Wipe clean with a soft cloth dampened in water and a mild soapy solution. Wipe dry with a clean and dry cloth.

this rattan basket requires no maintenance

however, by keeping the furniture clean and storing it properly you can enjoy it year after year.

If there are any questions relating to missing parts, assembly issues or replacements, please send a detailed email to hello@happimess.com


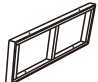
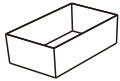
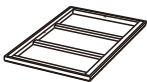

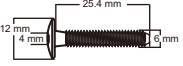



NOTICE

* Please make sure that you have all parts indicated before you begin assembly of this item

* This item Should be assembled on a soft surface to prevent scratching the finish during assembly

* This Item may require periodic tightening

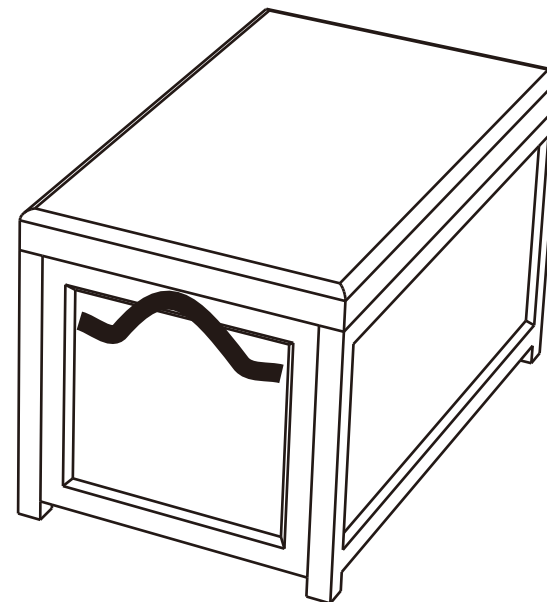
Part List and Hardware List

PIECE	DESCRIPTION	PICTURE	QTY
A	Side Frame		1
B	Bottom Base		1
C	Inter liner		1
D	Top Lid		1
E	Stopper		4
F	Allen Bolt		4
G	Washer		4
H	Screw		4
I	Allen Key		1

happimess

Item # : HPM9003

Product Dimensions : W31.5" x D18.7" x H18.7"



Weight Capacity : 33.06 Lbs

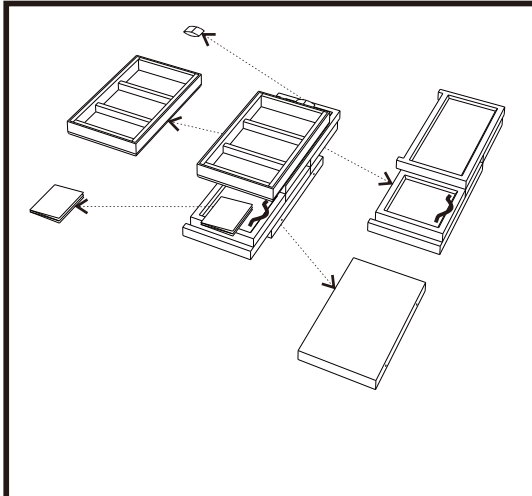
Warning : Do not stand on Basket

Warning : Do not sit on basket

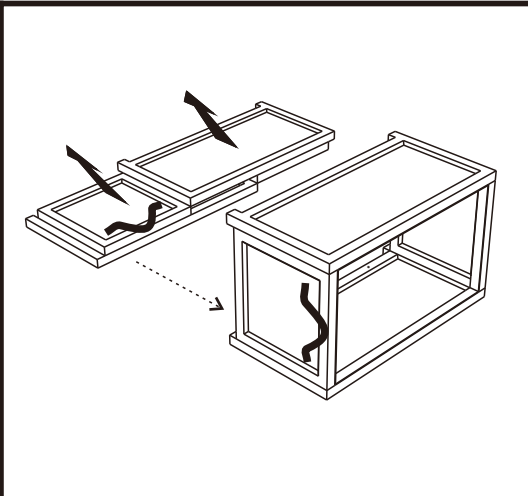


PREPARATION

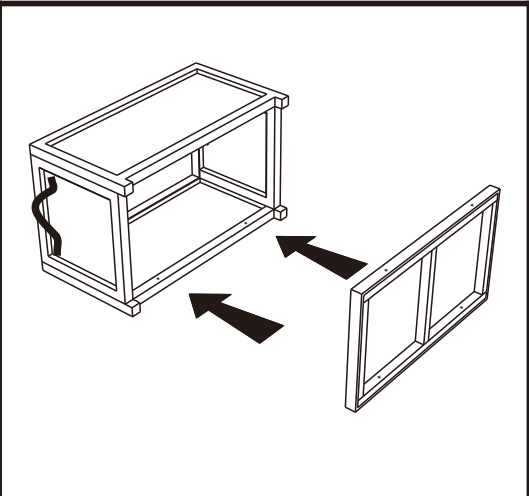
Before beginning assembly of product, make sure all parts are present. Compare parts with package contents list and hardware content list. If any parts is missing or damaged, do not attempt to assemble the product
Estimated Assembly Time 10 Minutes.



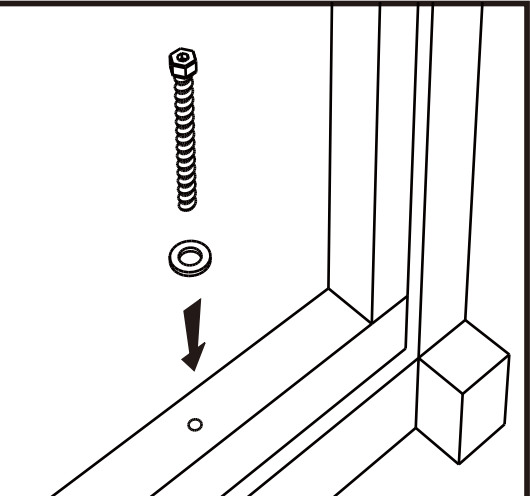
STEP 1 : SPREAD ALL COMPONENTS AND SPARE PARTS IN YOUR WORK AREA



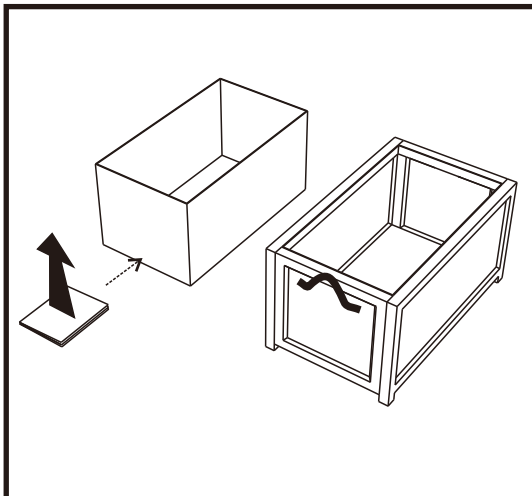
STEP 2 : UNFOLD THE SIDE FRAME BY PULLING UP ONE OF ITS SIDES



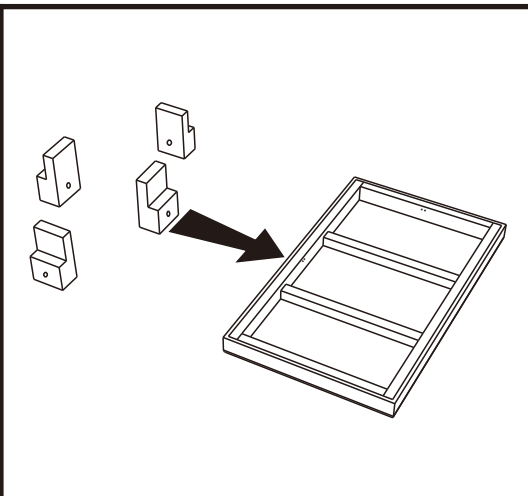
STEP 3 : SLIDE THE BOTTOM BASE ON THE SIDE FRAME WHERE THE PROTRUDING LEGS ARE



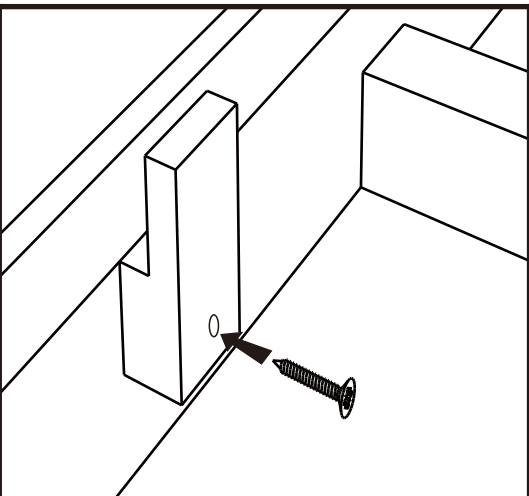
STEP 4 : MOUNT EACH ALLEN BOLT WITH A WASHER AND THEN FASTEN THE BOTTOM BASE TO THE SIDE FRAME. DO NOT OVERTIGHTEN



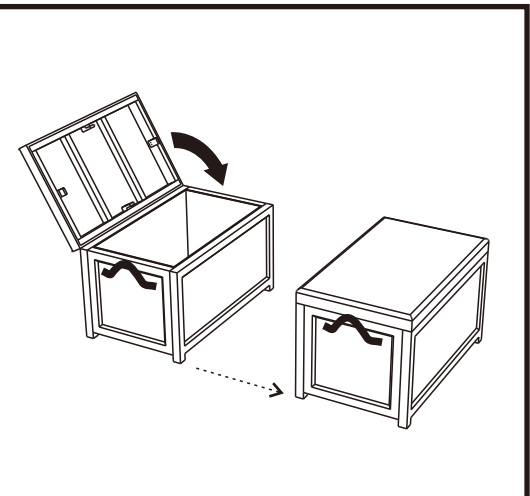
STEP 5 : UNFOLD THE INTERIOR LINER AND PLACE IT INSIDE THE TRUNK AND THEN FASTEN TO THE HOOK-AND-LOOP



STEP 6 : PLACE THE STOPPERS AT THE DESIGNATED LOCATIONS UNDERNEATH THE TOP LID



STEP 7 : FASTEN A SCREW ON EACH STOPPER ON THE TOP LID. DO NOT OVERTIGHTEN



STEP 8 : PLACE THE TOP LID ON THE TRUNK, AND THE ASSEMBLY IS COMPLETED