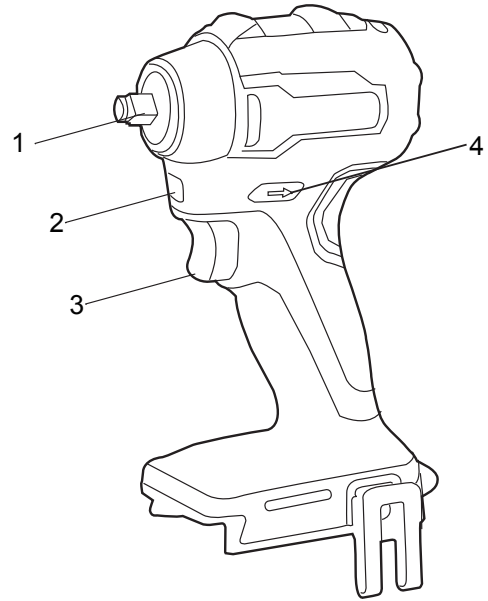
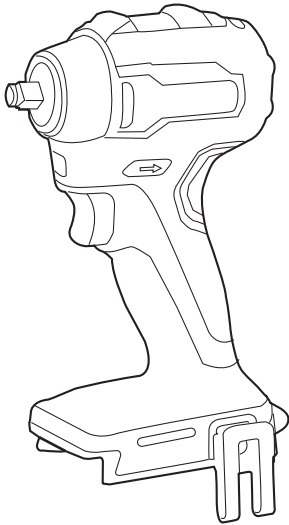


Quick Start Guide

IMPACT WRENCH



- 1. Anvil
- 2. LED Light
- 3. Trigger
- 4. Forward / Reverse

Depending on the model purchased, packaging will contain different accessories and parts. Refer to the package for more details.

greenworks®



Europe
www.greenworkstools.eu



USA
www.greenworkstools.com

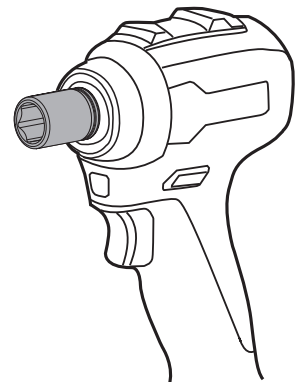
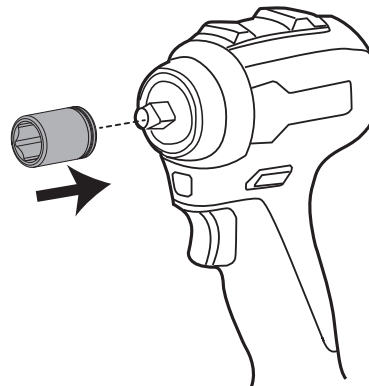


Canada
www.greenworkstools.ca

P0804931-00 Rev B

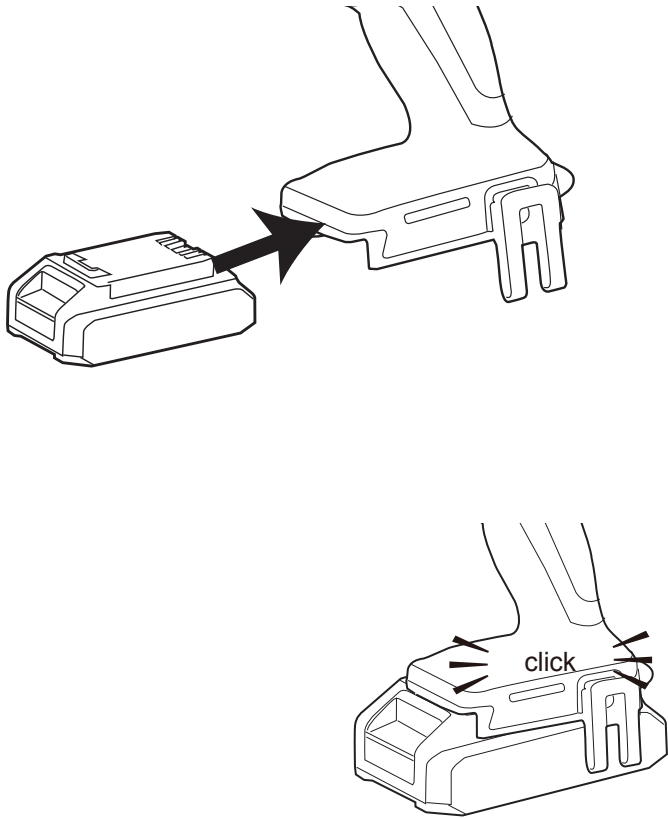
INSTALLATION

Install the impact socket*



*not included

Install the battery pack

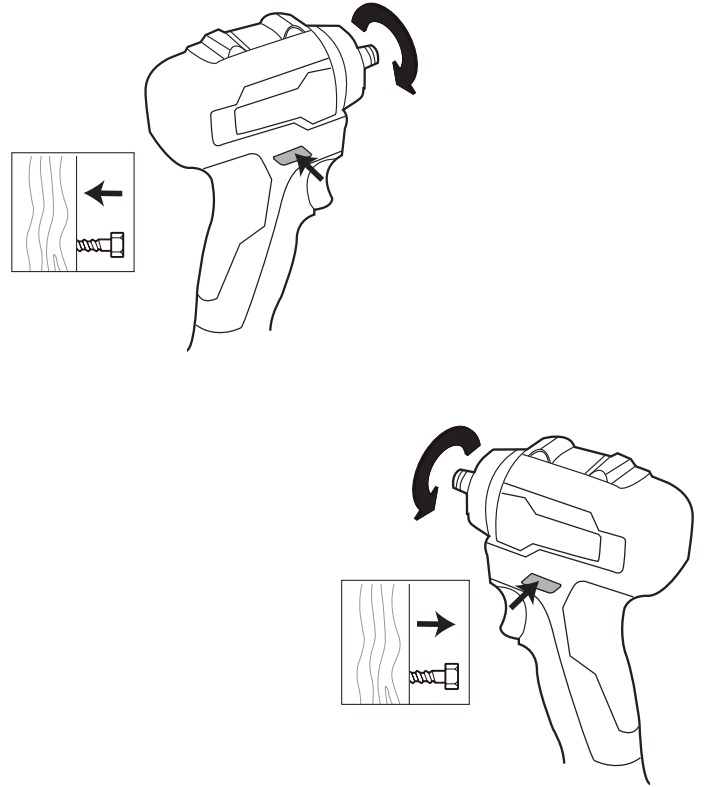


3

OPERATION

Forward/reverse switch

4



Start the machine

The machine can not work until the reverse switch is pushed fully to the left or right.

5

LED light

The LED light illuminates when the trigger is depressed.

6

