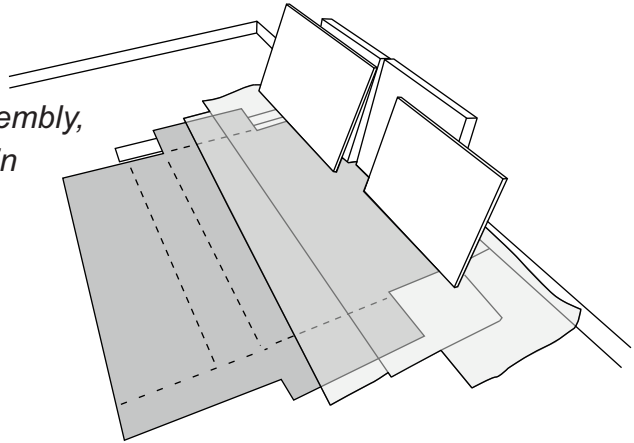


Tribeca TV Panel 53.94

# Before starting

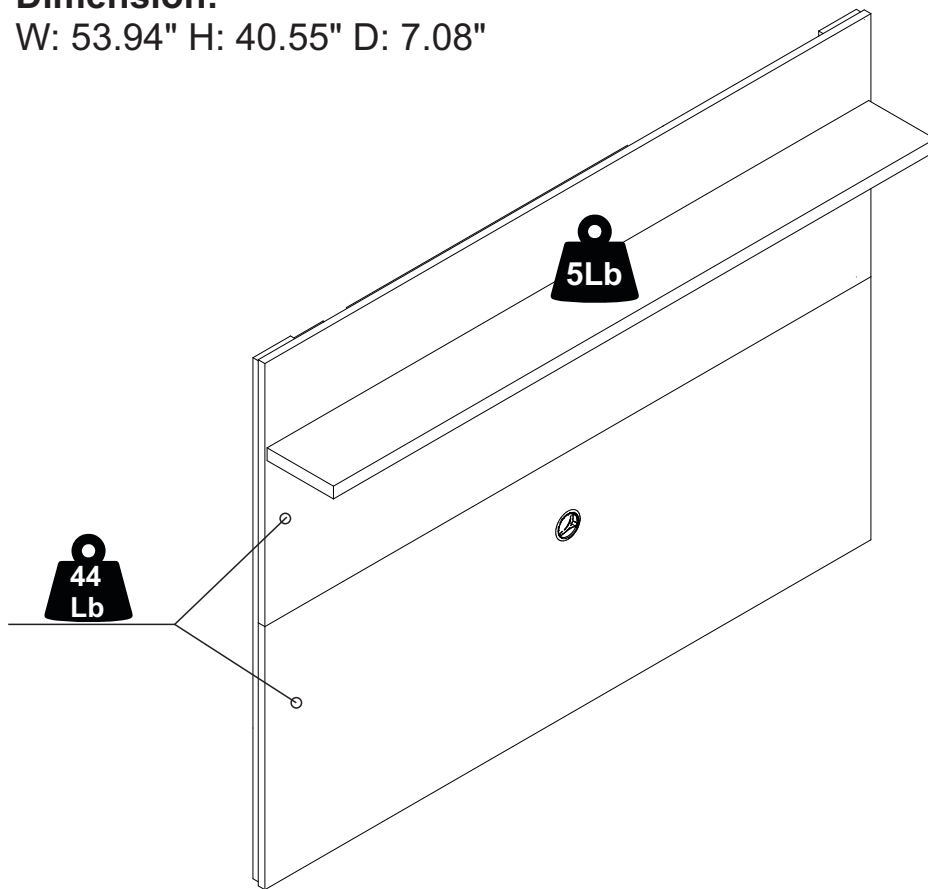
Prepare the room before starting the assembly, leaving it completely clean and the area in good condition to start the work.




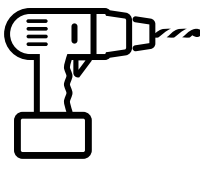

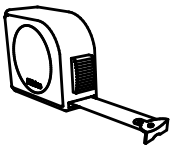
Use the cardboard of the packaging and the foam sheets protection to separate and support the parts removed from the boxes.



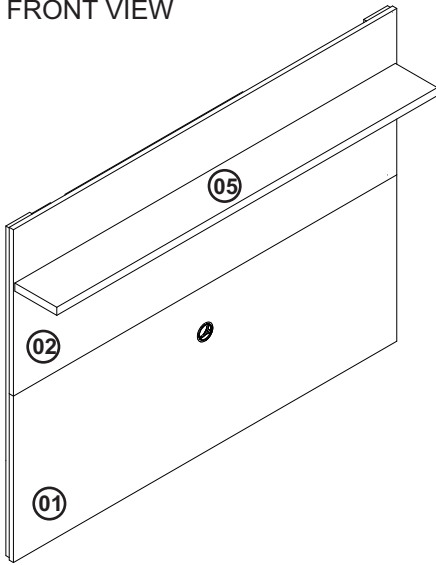
## Dimension:

W: 53.94" H: 40.55" D: 7.08"

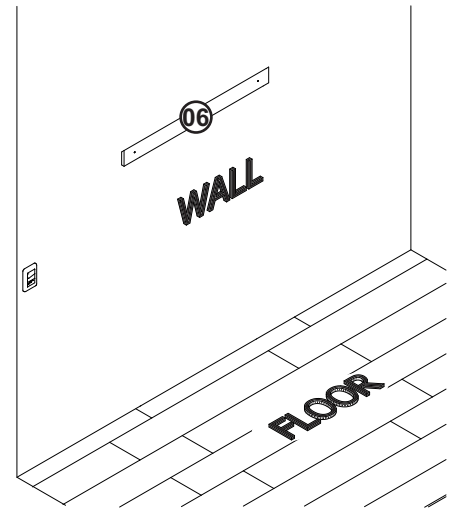
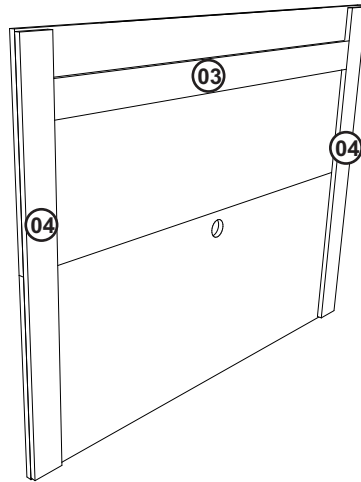


<p>QUANTITY OF PEOPLE TO ASSEMBLE THIS FURNITURE</p> 	<p>REQUIRED TOOLS</p>     
--	--

FRONT VIEW

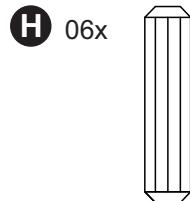
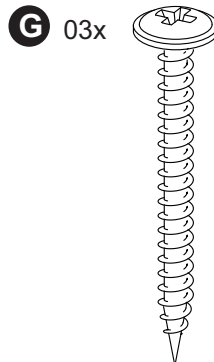
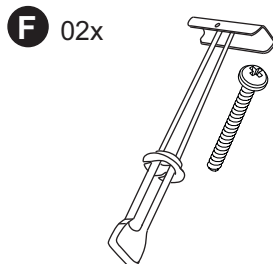
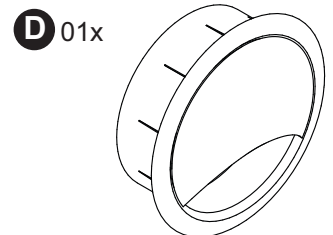
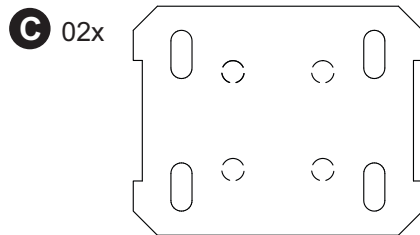
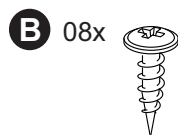
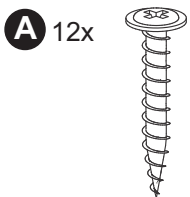


REAR VIEW

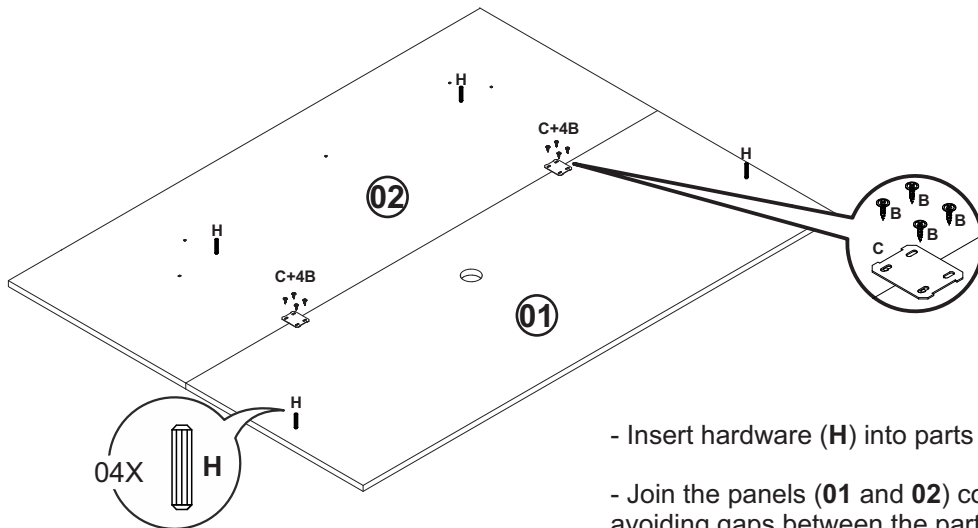


PART	DESCRIPTION	QUANTITY
01	LOWER PANEL	01
02	TOP PANEL	01
03	PANEL SUPPORT	01
04	BACK SUPPORT	02
05	SHELF	01
06	WALL SUPPORT	01

**HARDWARE**

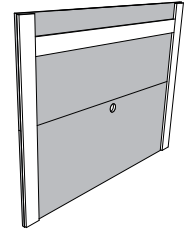


### STEP 1

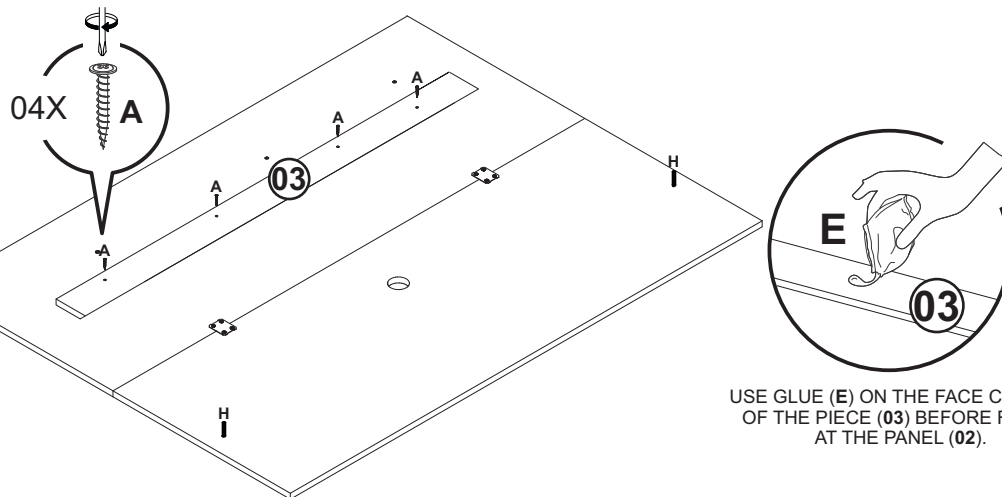


- Insert hardware (H) into parts (01 and 02).

- Join the panels (01 and 02) correctly aligning the edges, avoiding gaps between the parts and connect them with the steel plate (C) and bolts (B).

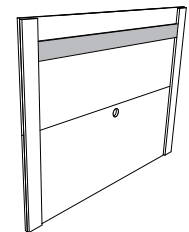


### STEP 2

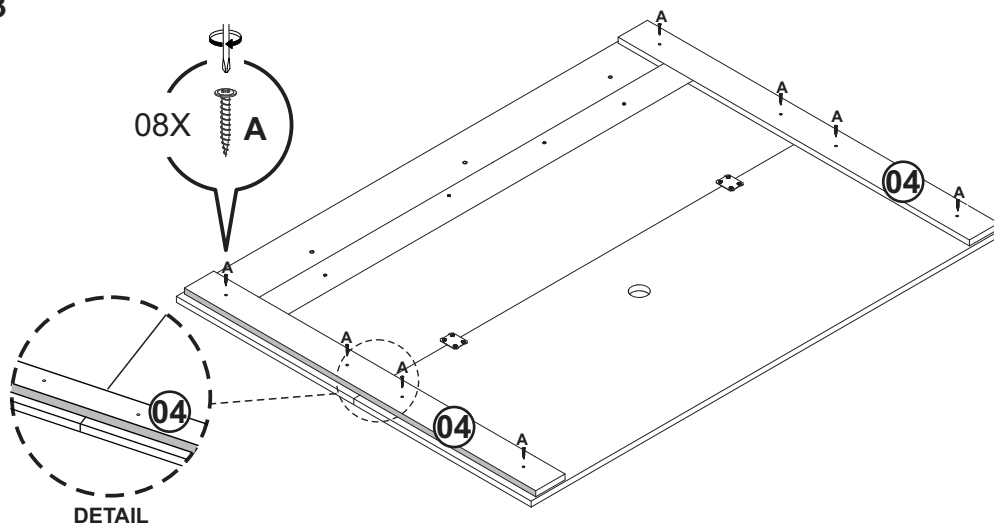


USE GLUE (E) ON THE FACE CONTACT OF THE PIECE (03) BEFORE FIXING AT THE PANEL (02).

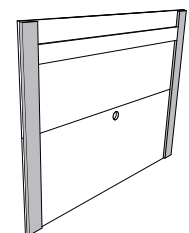
- Fix the piece (03) in the top panel (02) with bolt (A).



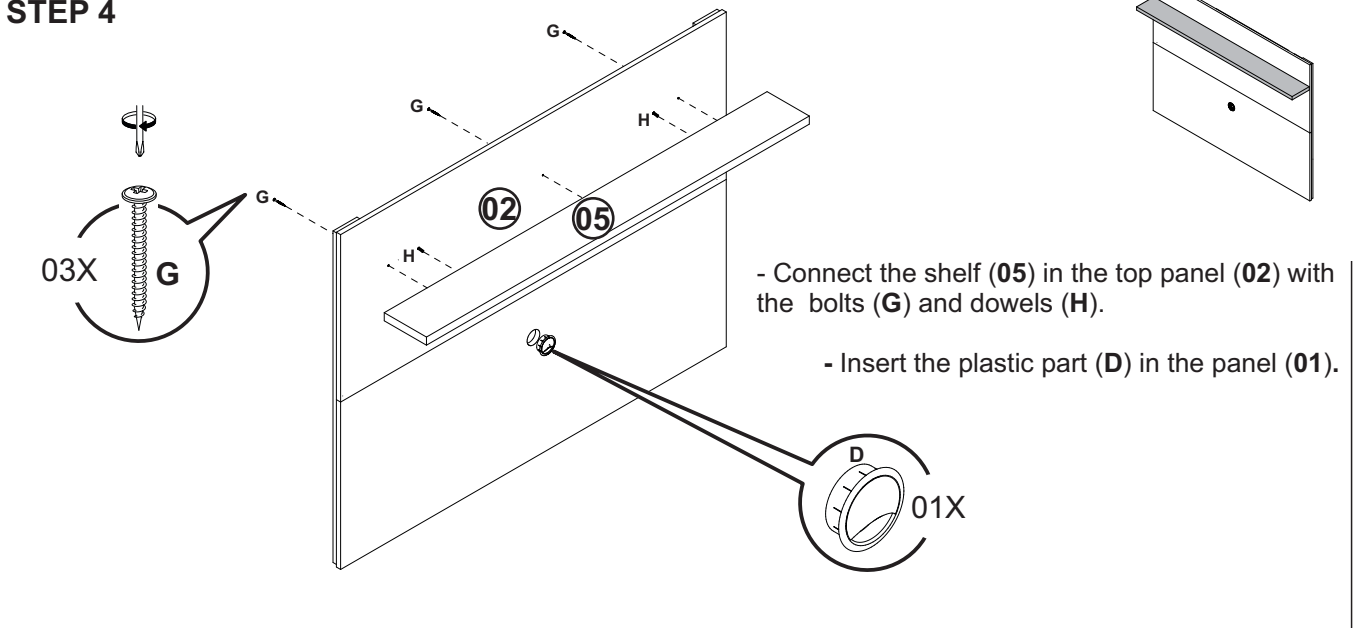
### STEP 3



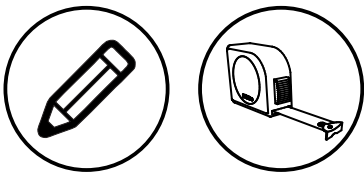
- Fix the parts (04) behind the panel (01 and 02) with bolt (A), observing the right position of the finished edges and correctly aligning as show in the drawing.



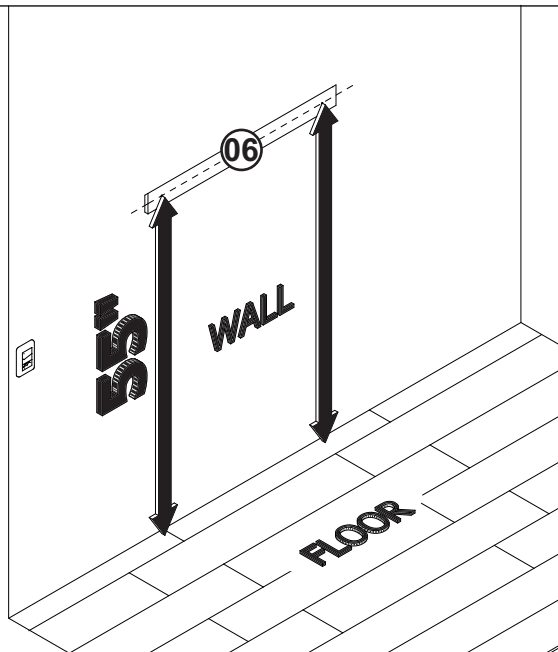
### STEP 4



### STEP 5

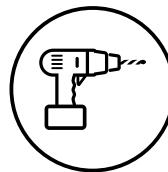


With a pencil and measuring tape mark the height to fasten the part (06) on the wall.

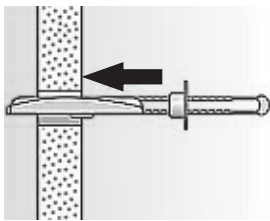


### STEP 6

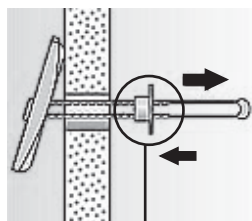
How to use the drywall toggle bolt (F):



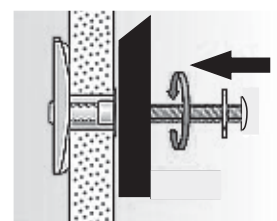
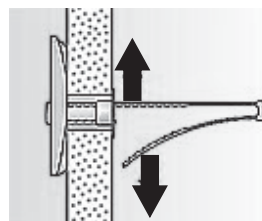
- Drill the wall with one twist bit drill of 1/2 inches.



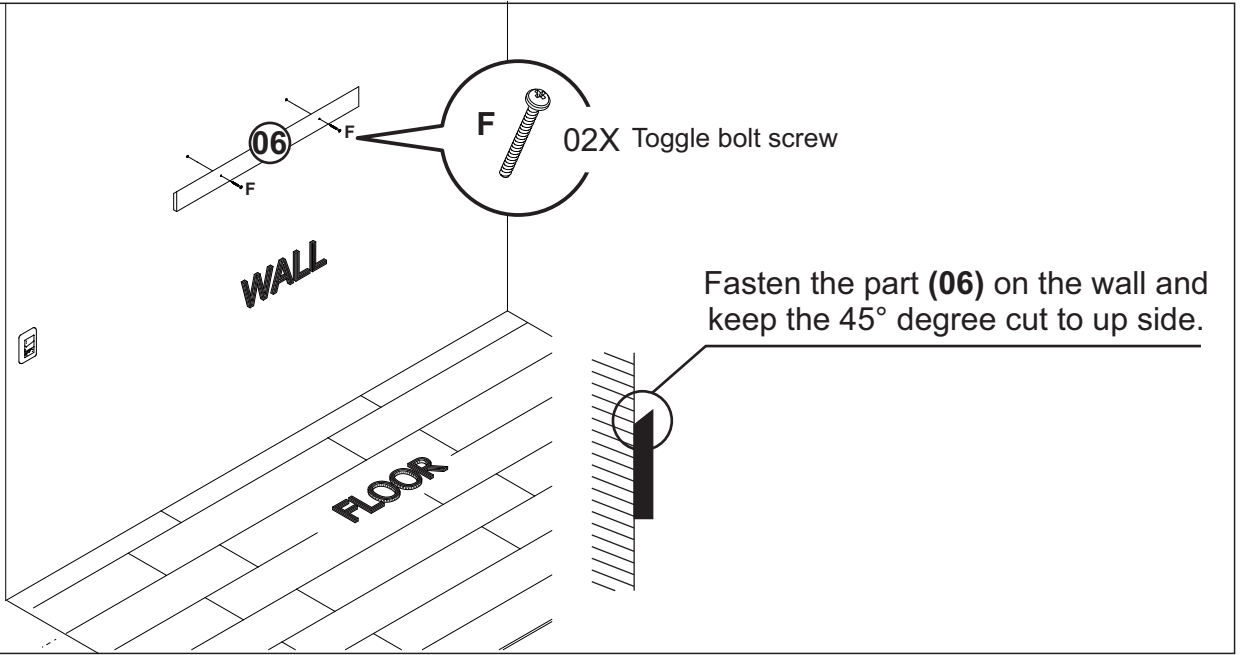
Insert the bolt and toggle into hole



To push against the wall



**STEP 7**



**STEP 8**

