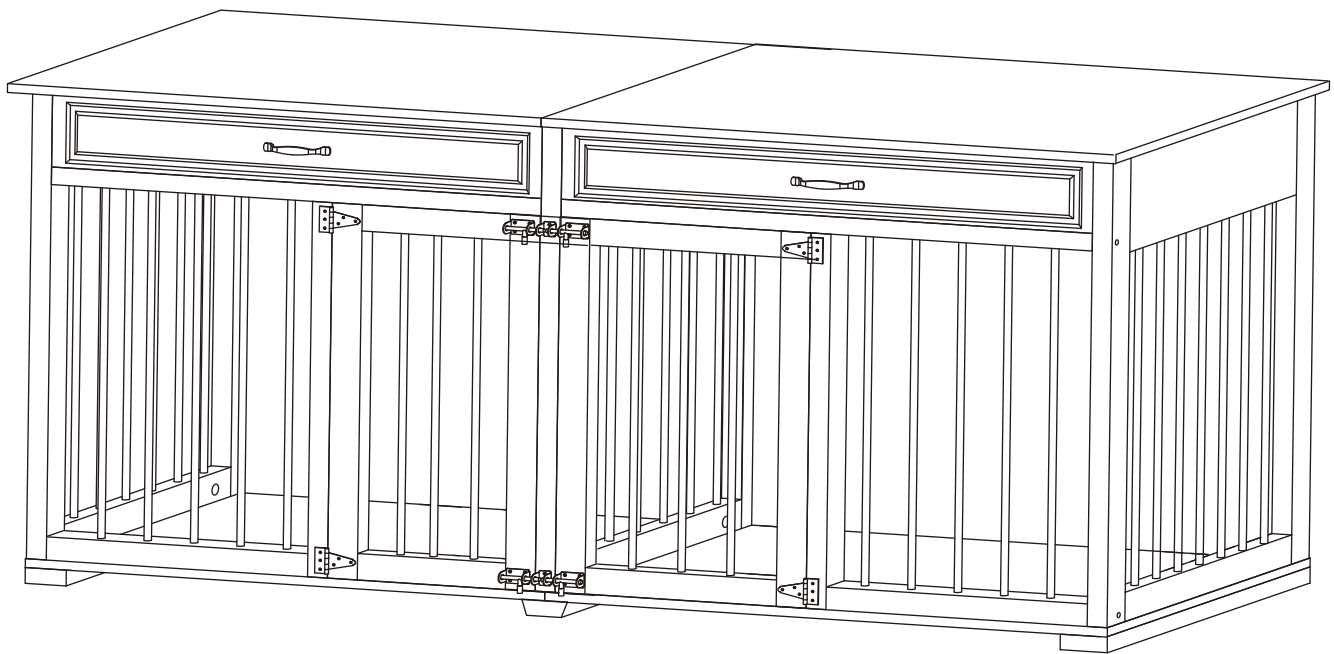
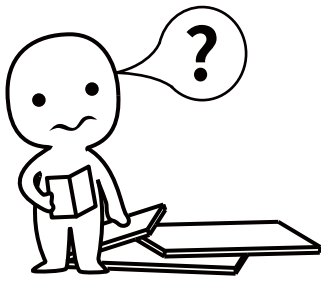


RODUCT INSTRUCTION

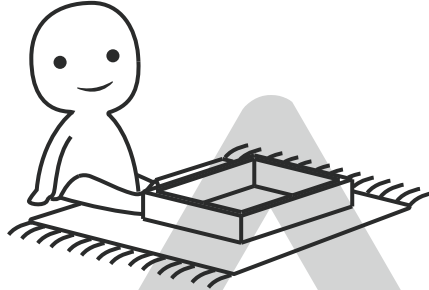
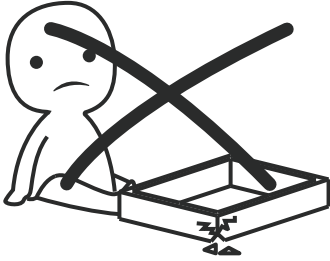
KF150161-01





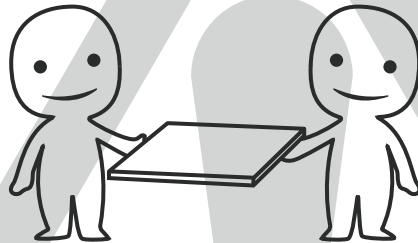
IMPORTANT INFORMATION!

please read the entire manual before starting to assemble and/or using this product. follow the manual thoroughly and keep it for further reference.



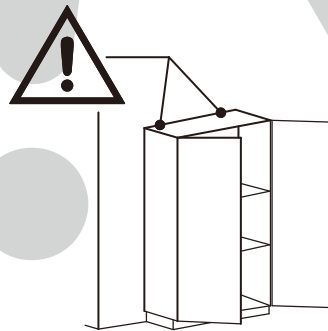
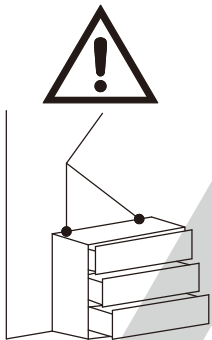
AVOID SCRATCHES!

In order to avoid scratching this furniture should be assembled on a soft layer- could be a rug.



IMPROVE EFFICIENCY !

Try to find a partner to install with you, which can speed up the installation efficiency and shorten the time.



ANTI-TOPPLE WARNING !

Overturnd furniture can cause serious or fatal crush injuries. To prevent tipping over, be sure to use the wall attachment, if not included with this product. Please purchase the wall attachment that fit your wall. If unsure, seek professional advice. Please read and follow each step of the instructions carefully.

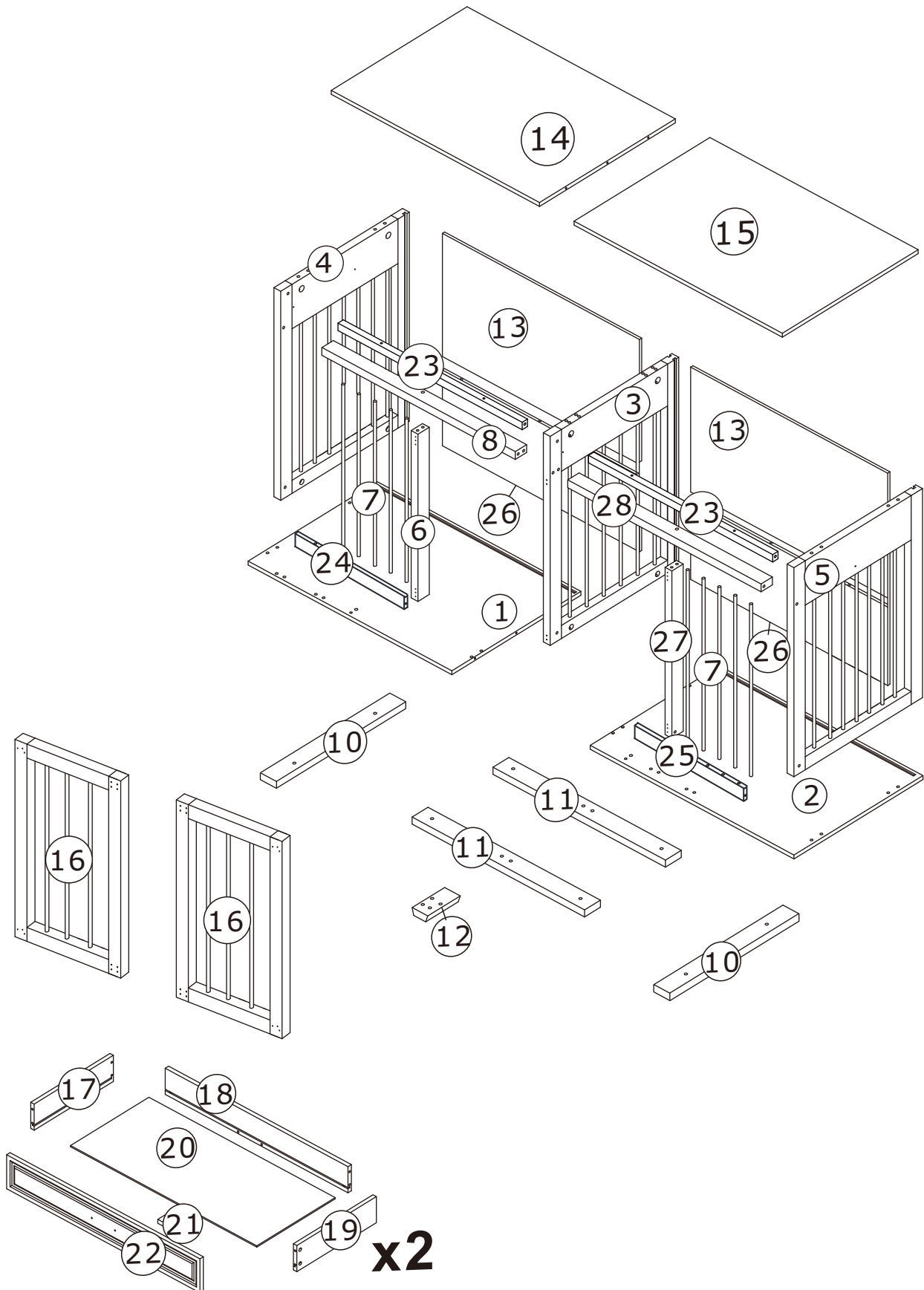
IMPORTANT !

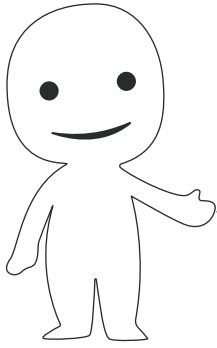
It is important that any product which is assembled using any kind of screw is re-tightened 2 weeks after assembly, and once every 3 months - in order to assure stability through-out the lifespan of the product.

For regular maintenance and cleaning of the product, for the frame, please use a rag dipped in neutral detergent to fully wipe it, and then dry it with a clean rag. For glass materials, wipe with a rag dampened with water glass cleaner, and then dry with a dry rag.

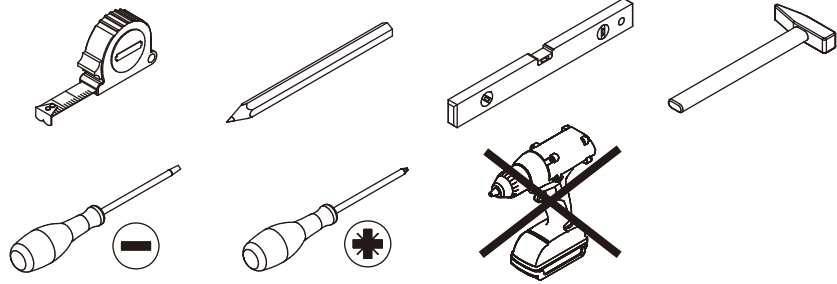
Do not use an electric screwdriver, and do not use too much force when installing, because the board is easy to break.

Parts List / Teileliste

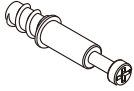
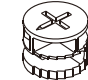


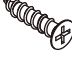
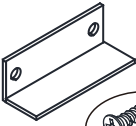

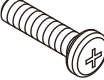
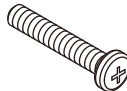
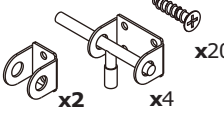





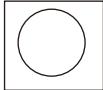
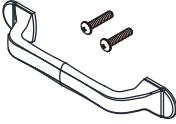

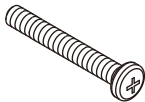



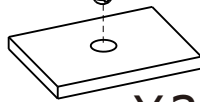





Please prepare the following tools




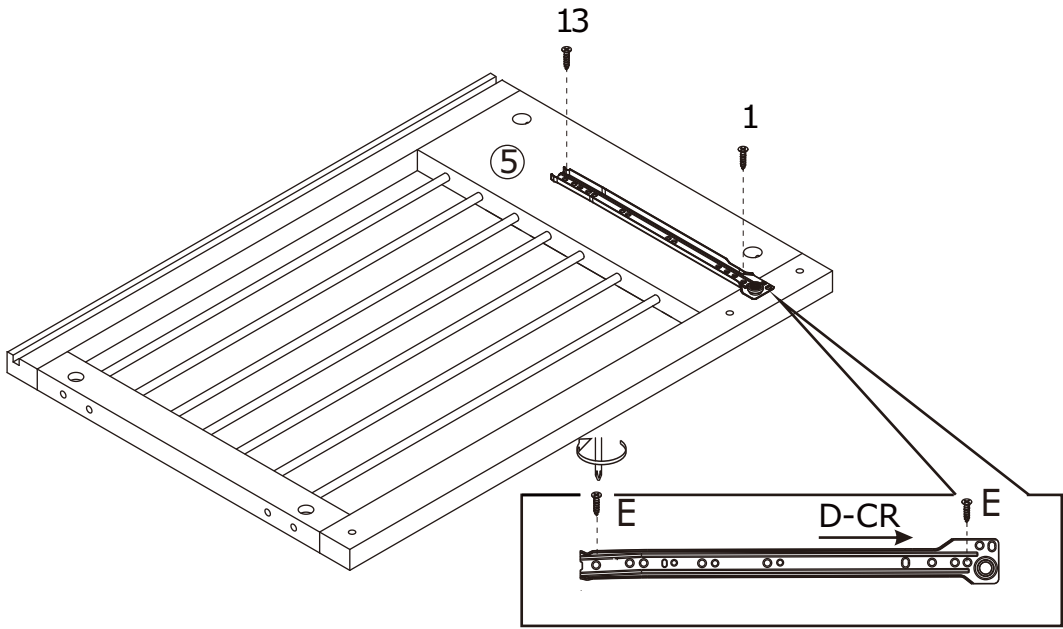
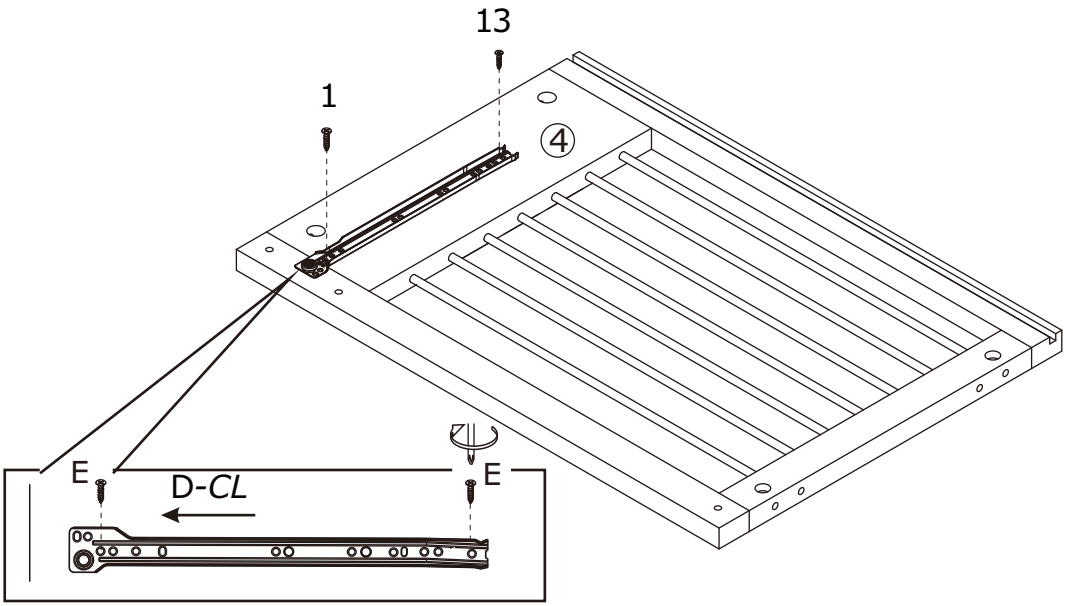
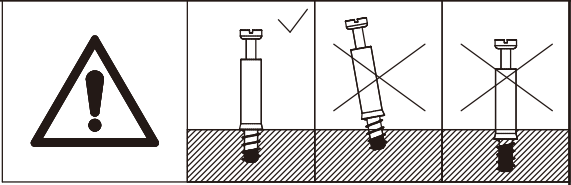
When installing, please carefully confirm whether each screw corresponds to the manual, accessories with similar shapes can be distinguished by size

<p>A x 52</p>  <p>∅5 x 31 mm</p>	<p>B x 44</p>  <p>∅15 x 1.1 mm</p>	<p>C x 32</p>  <p>∅8 x 30 mm</p>	<p>D x 2</p>  <p>L=350mm</p>	<p>E x 16</p>  <p>∅3 x 10 mm</p>
<p>F x 2</p>   <p>∅3x10 mm x4</p>	<p>G x 2</p>  <p>∅6x25 mm</p>	<p>H x 22</p>  <p>∅6x35 mm</p>	<p>J x 4</p>  <p>x2 x4 x20</p> <p>∅3.5 x 14 mm</p>	<p>K x 4</p>   <p>x24</p> <p>∅3x10mm</p>
<p>L x 12</p>   <p>∅3 x 10 mm</p>	<p>M x 6</p> 	<p>N x 52</p> 	<p>P x 2</p>  <p>∅4 x 18mm</p>	<p>Q x 6</p>  <p>∅6 x 30mm</p>
<p>R x 6+1</p>  <p>∅6 x 40mm</p>	<p>S x 8</p>  <p>∅15 x 9.5mm</p>	<p>Z x 1</p> 	<p>White nut</p>   <p>X3</p>	

1

Dx1

L=350mm

Ex4

∅ 3x10 mm

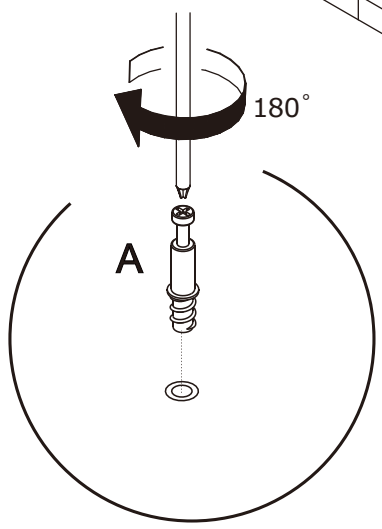
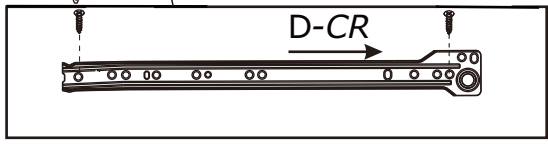
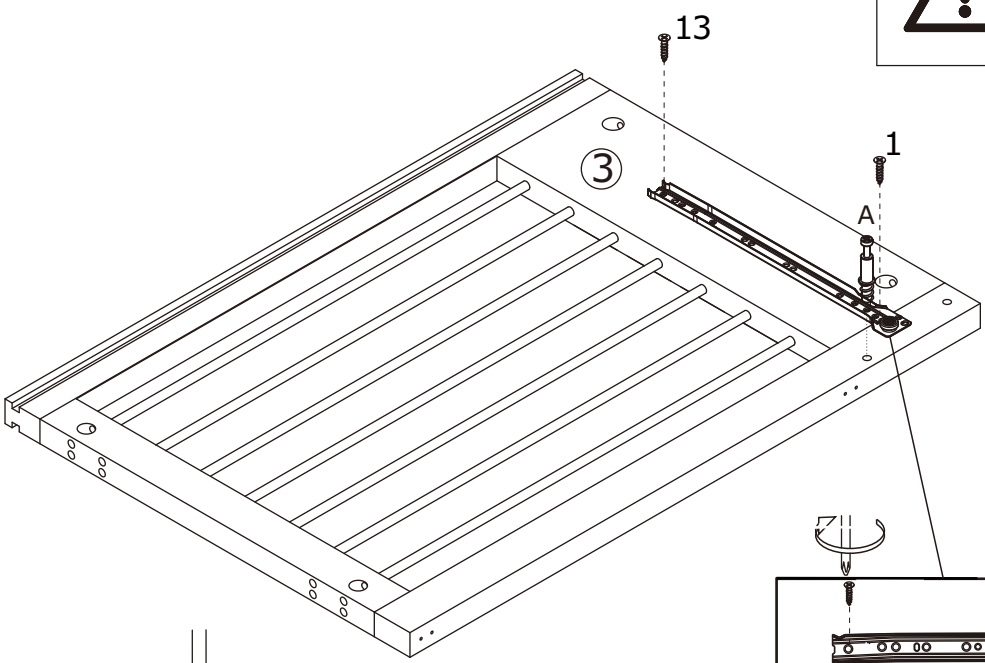
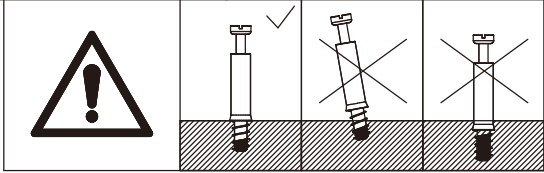
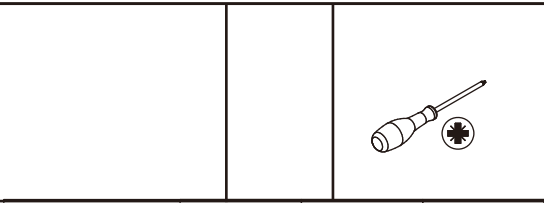


2

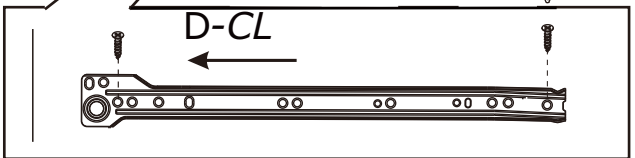
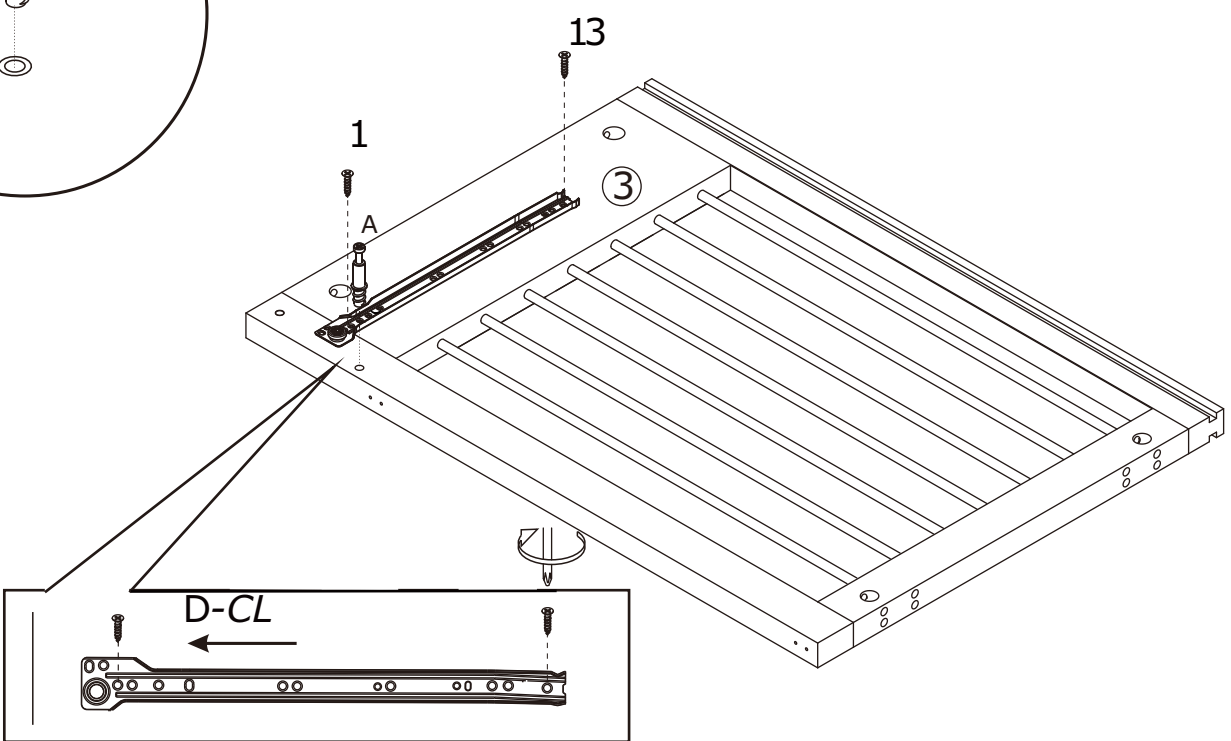
Dx1
L=350mm

Ex4
Ø3x10 mm

Ax2
Ø5x31 mm

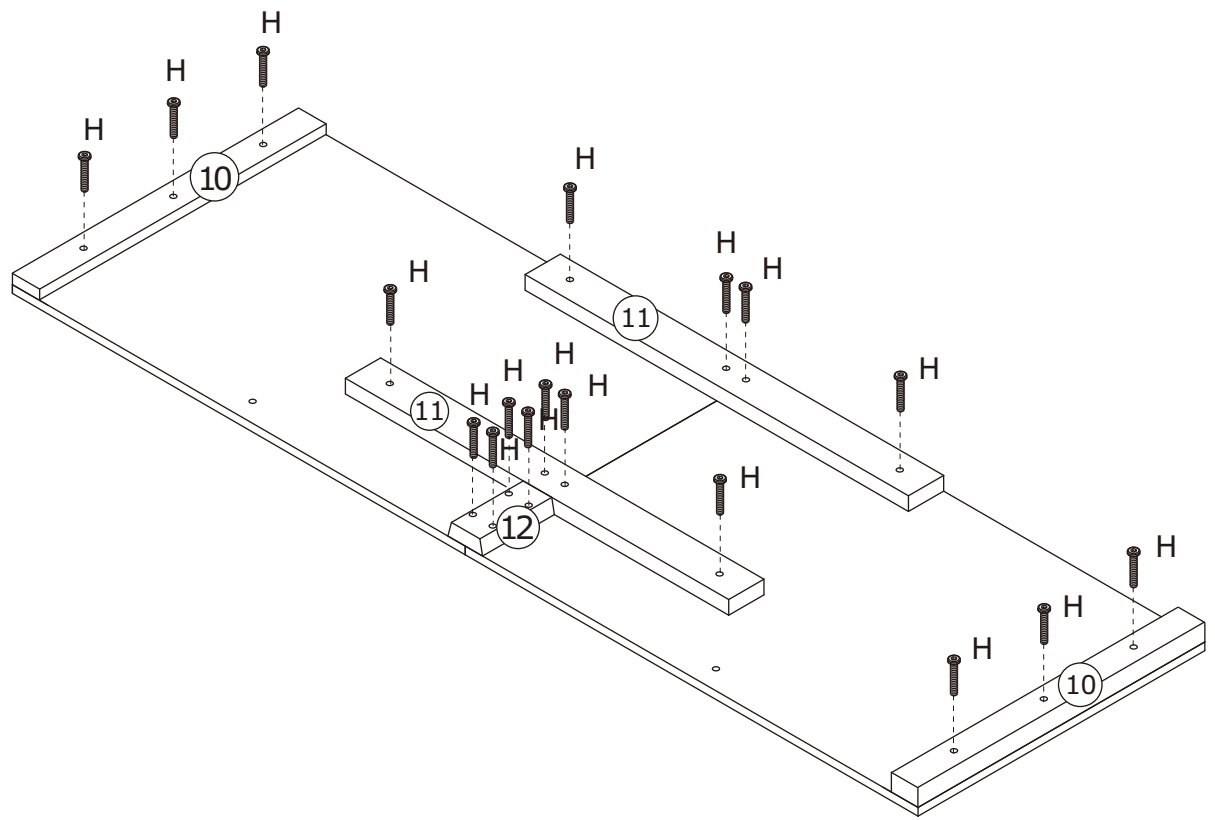
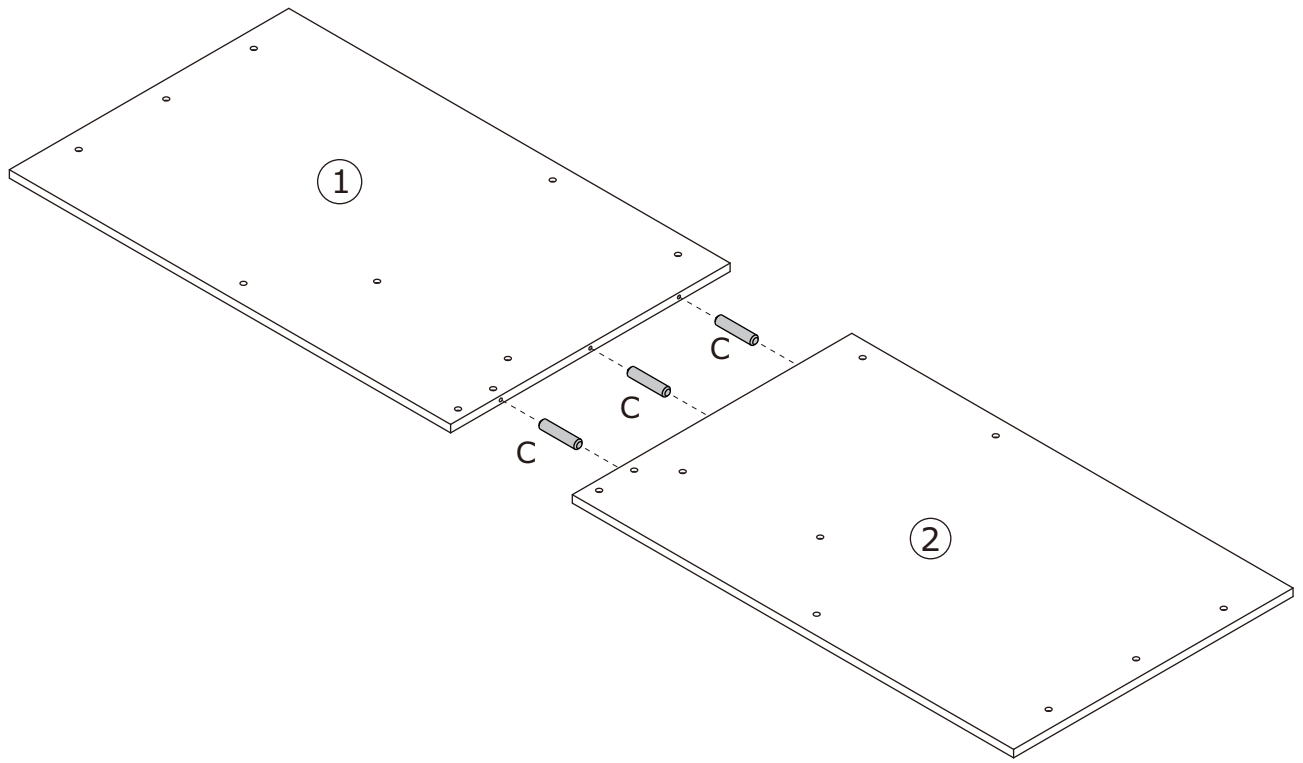


180°



3

Cx3  φ8x30mm	Hx18  φ6x35mm				
-----------------------------------------------------------------------------------------------------	------------------------------------------------------------------------------------------------------	--	--	--	-------------------------------------------------------------------------------------



4

Ax12

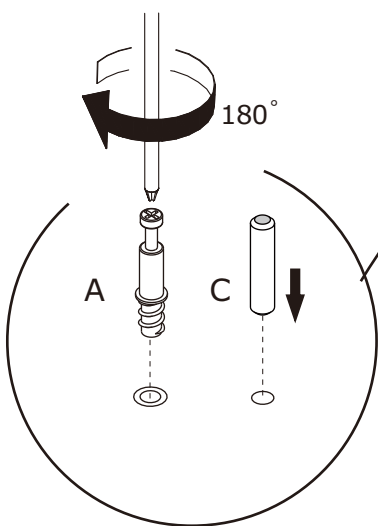
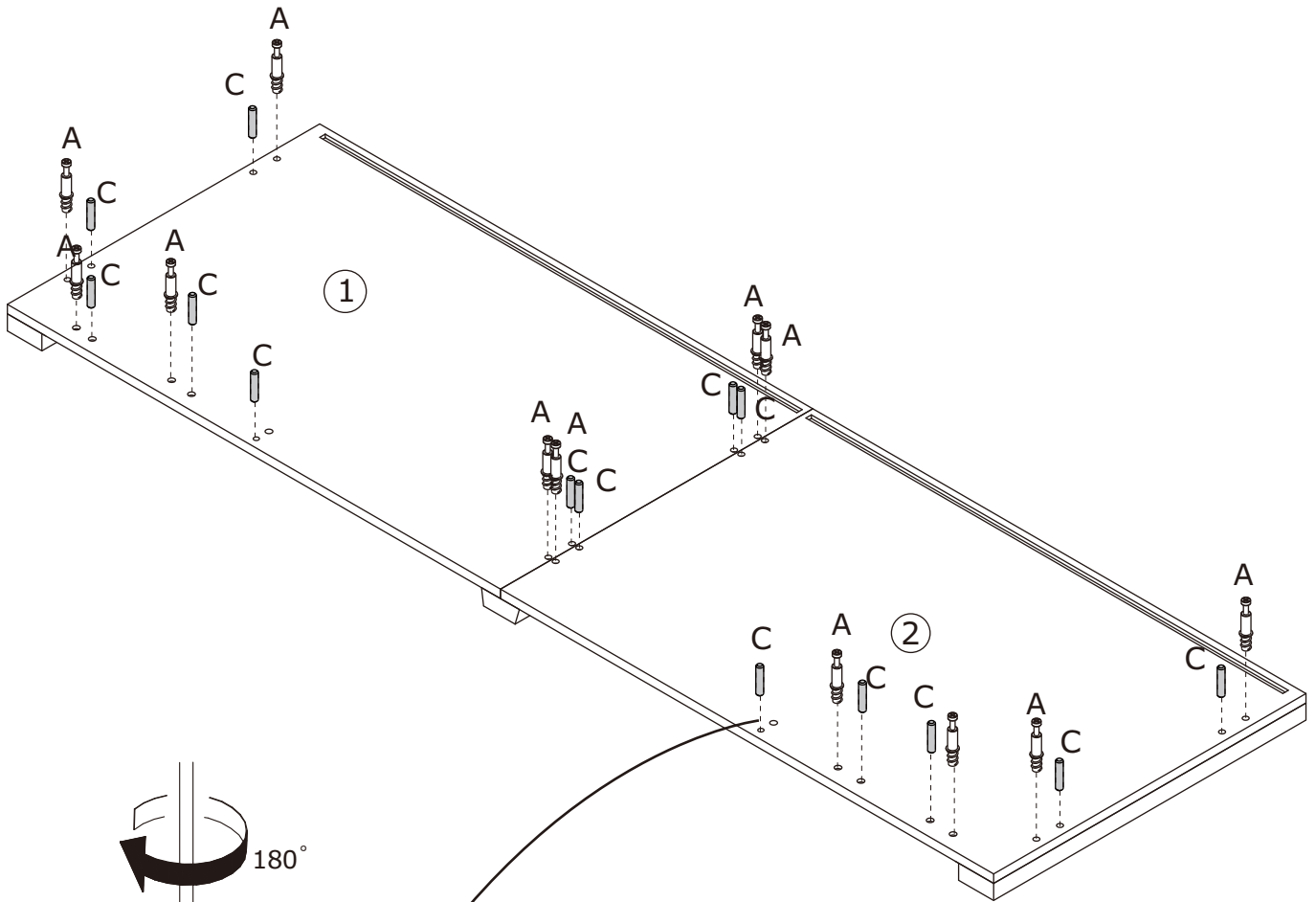
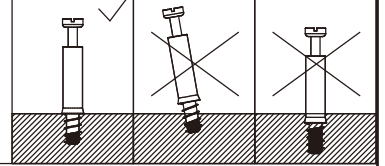


Ø5x31mm

Cx14



Ø8x30mm

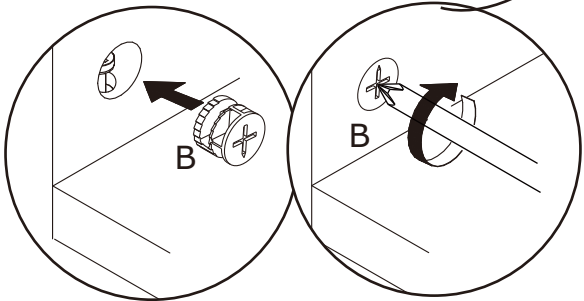
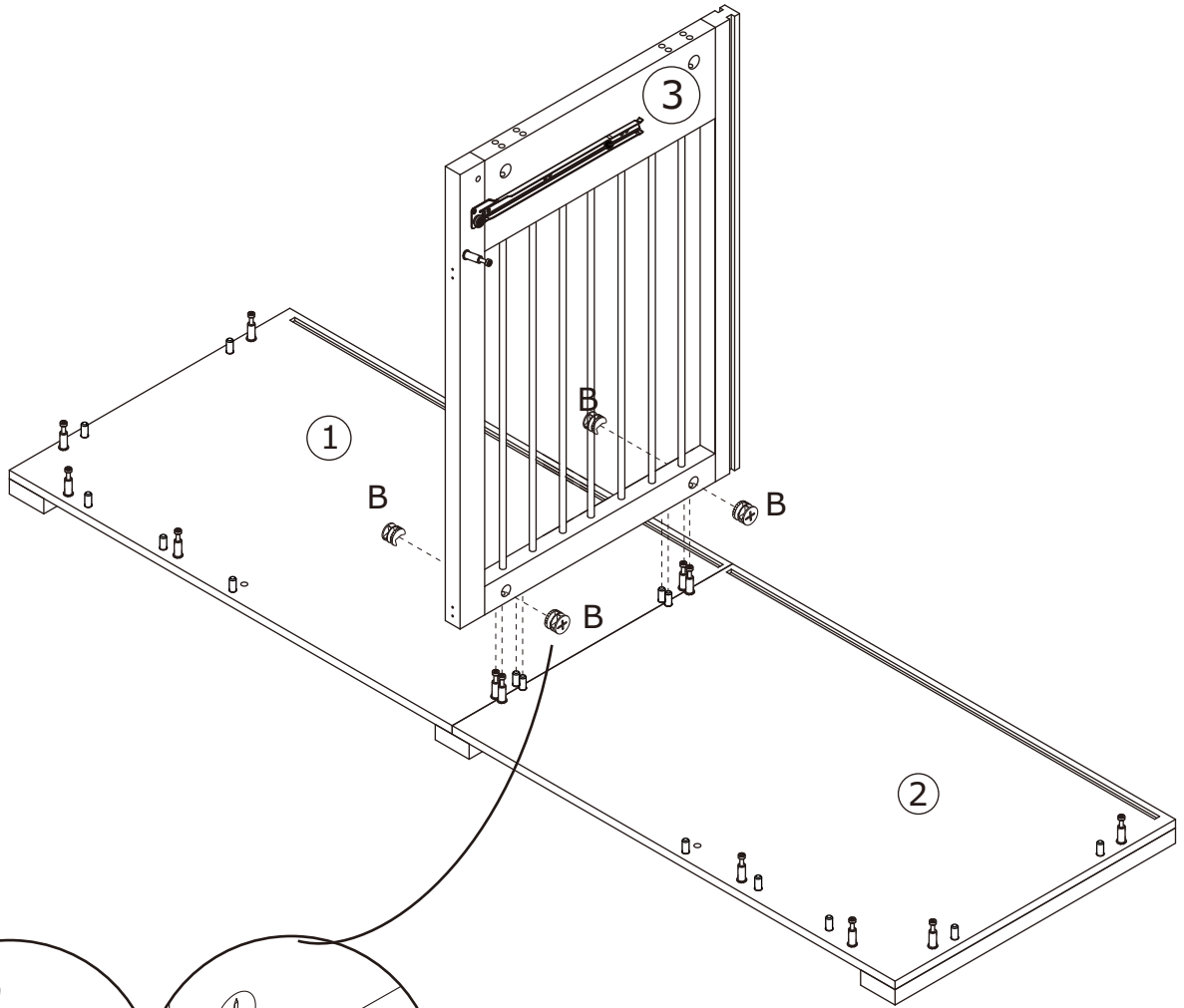
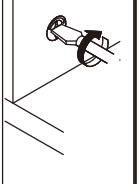
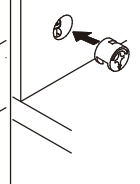
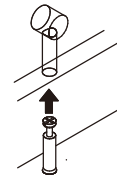


5

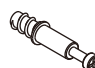


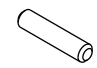


Bx4

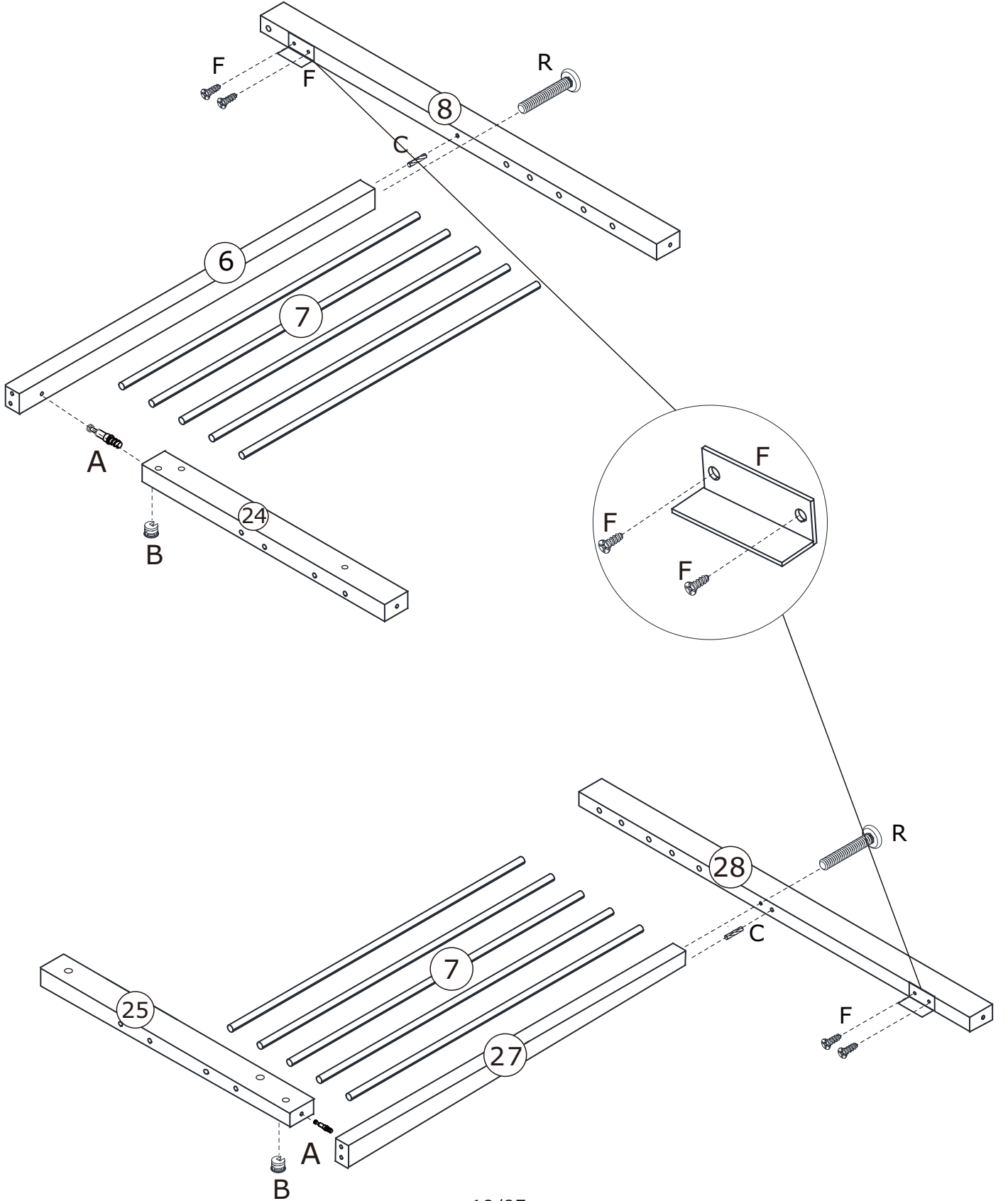
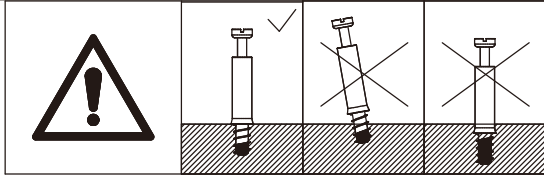


Ø15x11 mm



6

Ax2  Ø5x31mm	Rx2  Ø6x40mm	Fx2  Ø3x10mm	C x 2  Ø8x30mm	Bx2  Ø15x11mm	
-----------------------------------------------------------------------------------------------------	-----------------------------------------------------------------------------------------------------	-----------------------------------------------------------------------------------------------------	--------------------------------------------------------------------------------------------------------	--------------------------------------------------------------------------------------------------------	-------------------------------------------------------------------------------------



7

Bx6

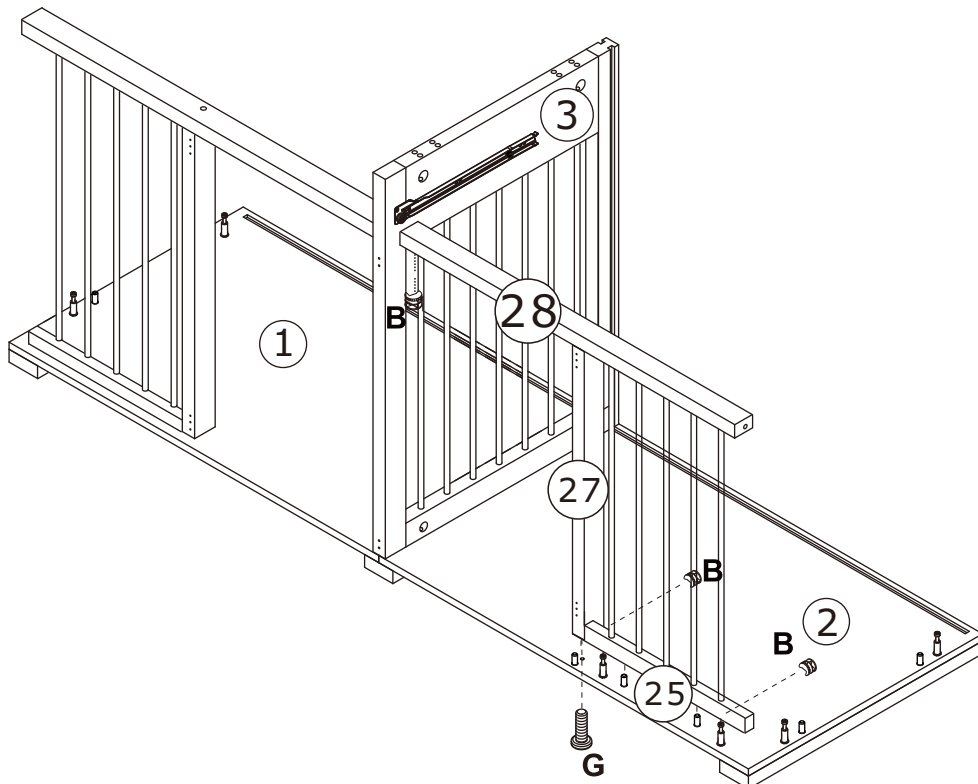
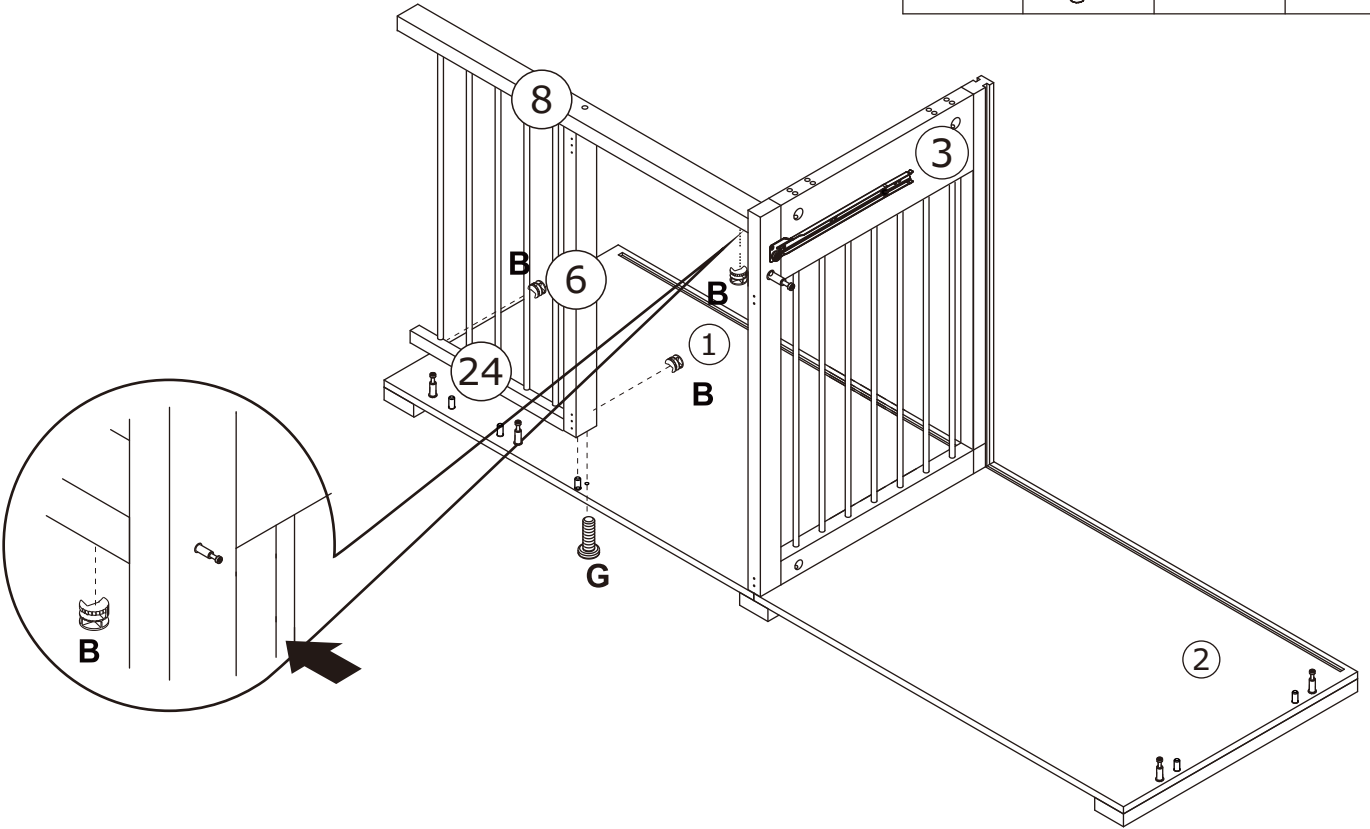
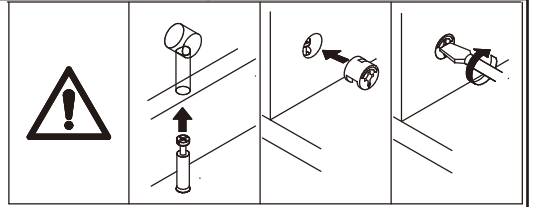
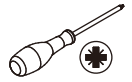


Ø15x11mm

Gx2



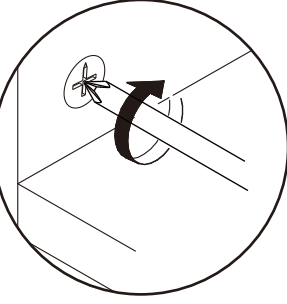
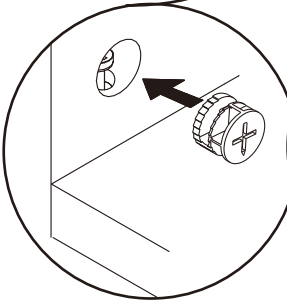
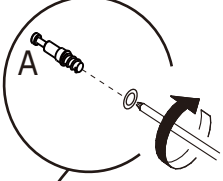
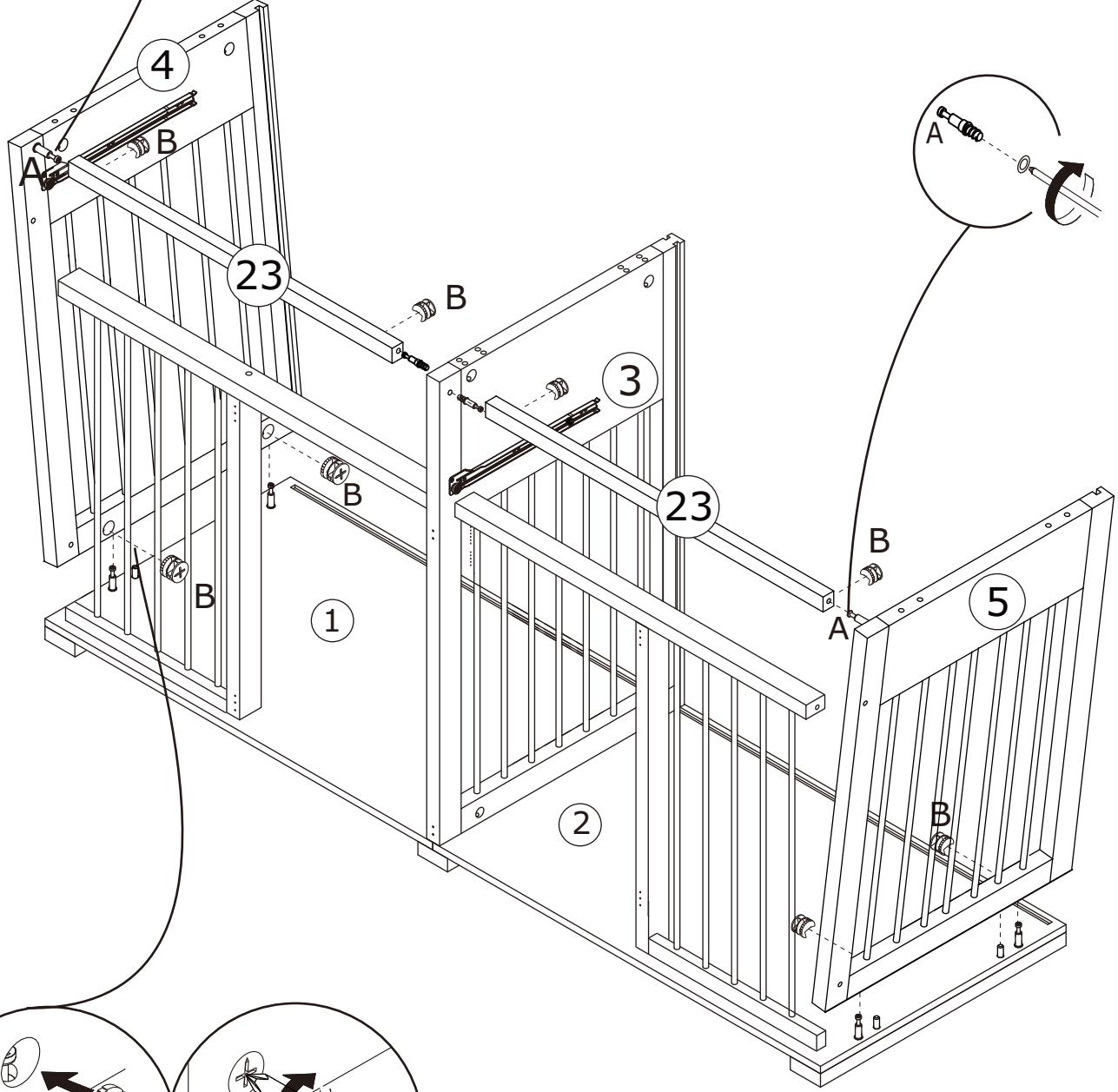
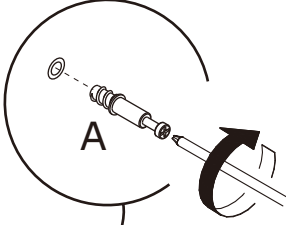
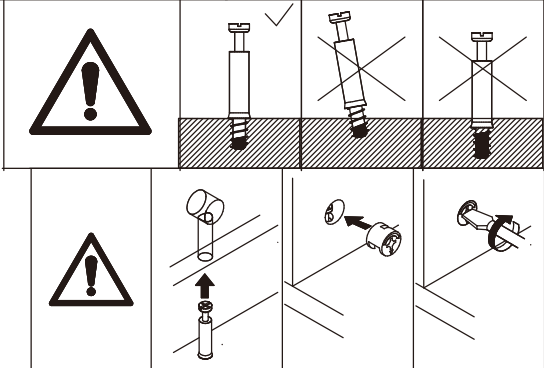
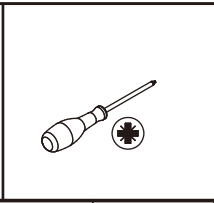
Ø6x25mm



8

Ax4
 $\phi 5 \times 31 \text{ mm}$

Bx8
 $\phi 15 \times 11 \text{ mm}$

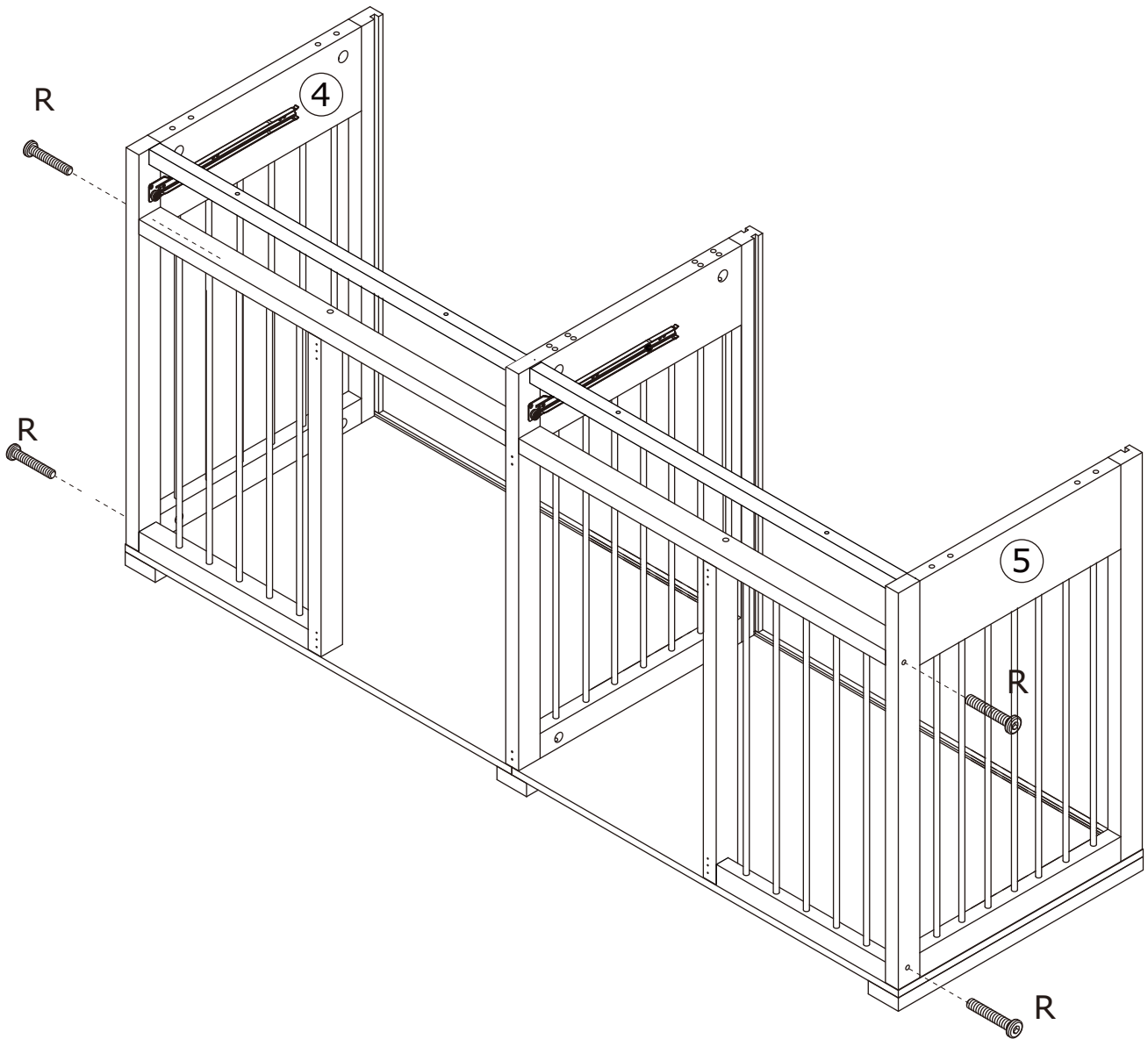


9

R x 4



Ø6X40mm

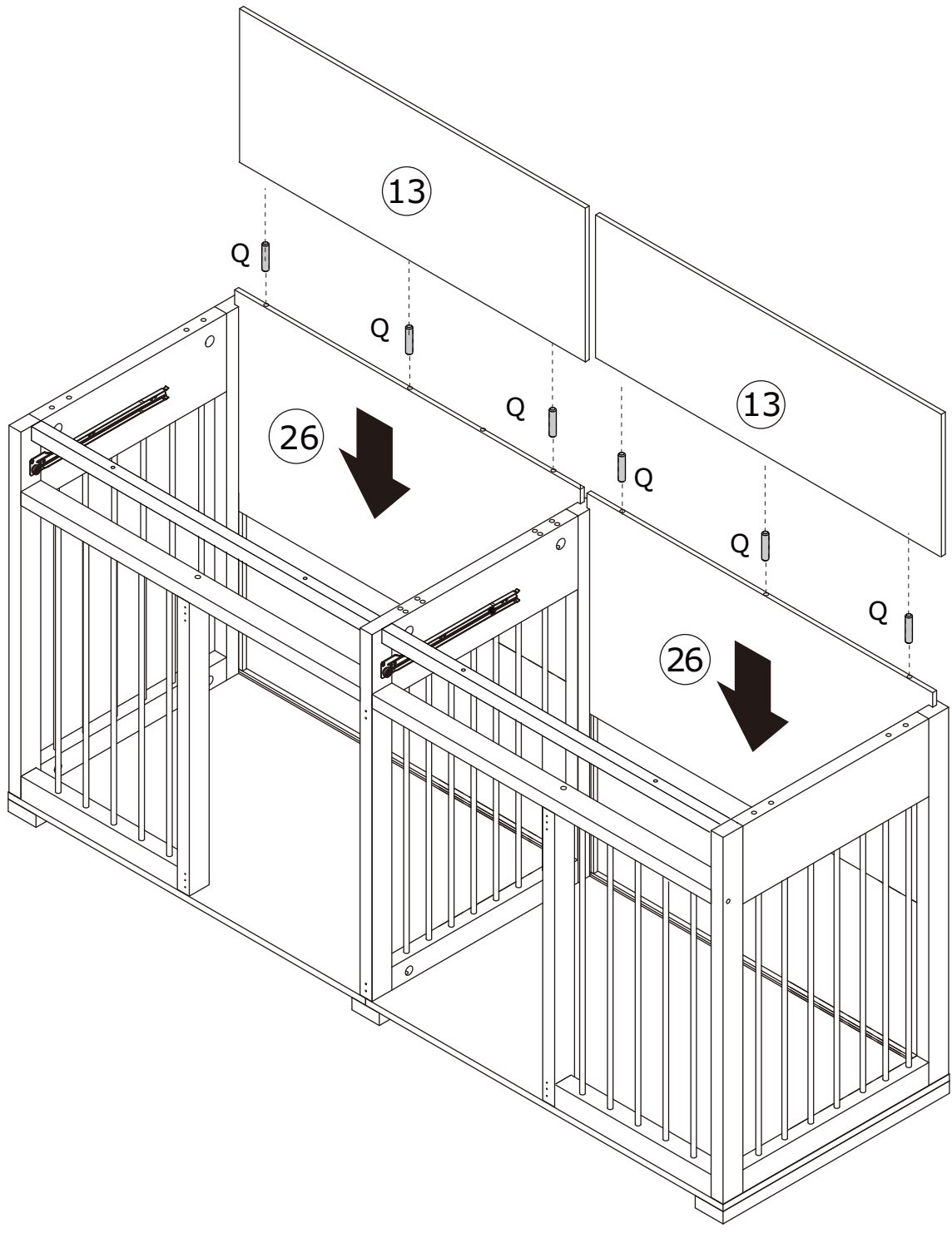


10

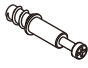
Q x 6




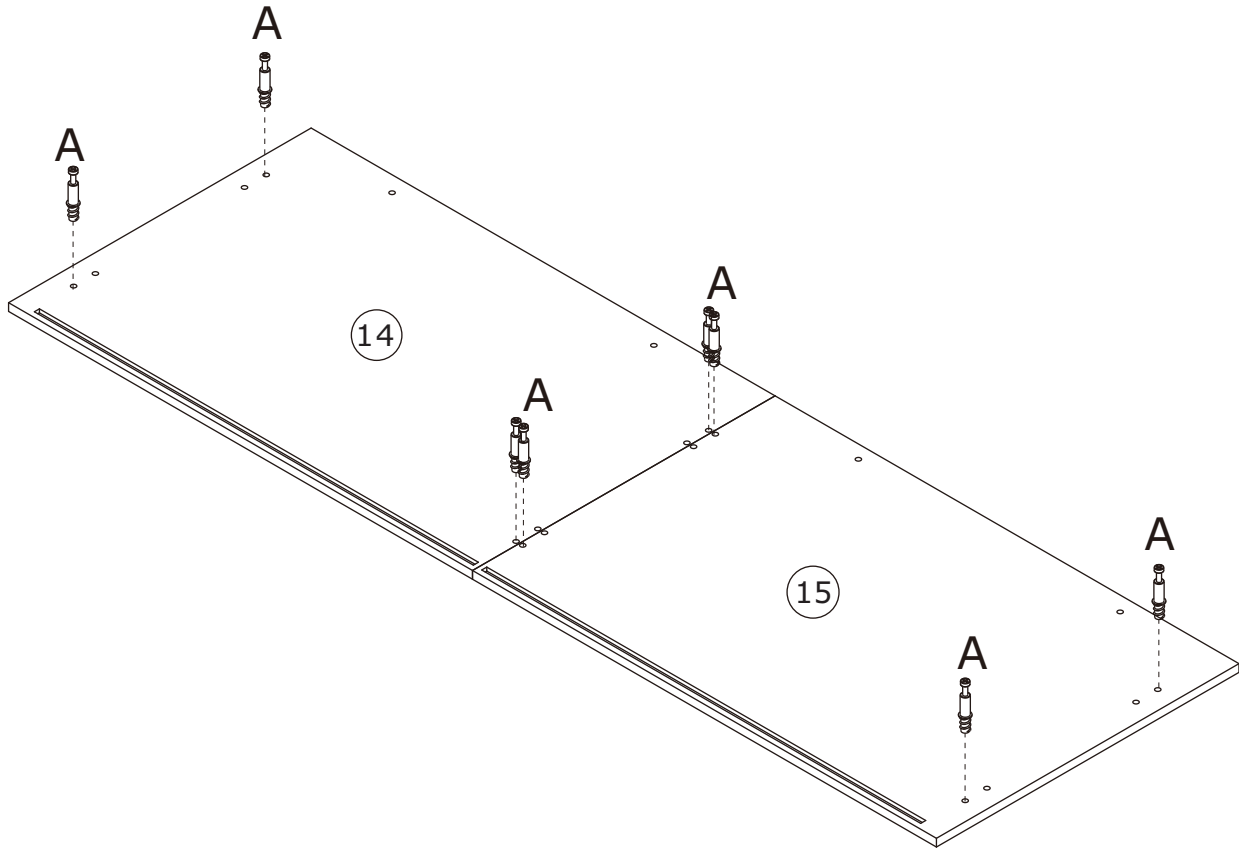
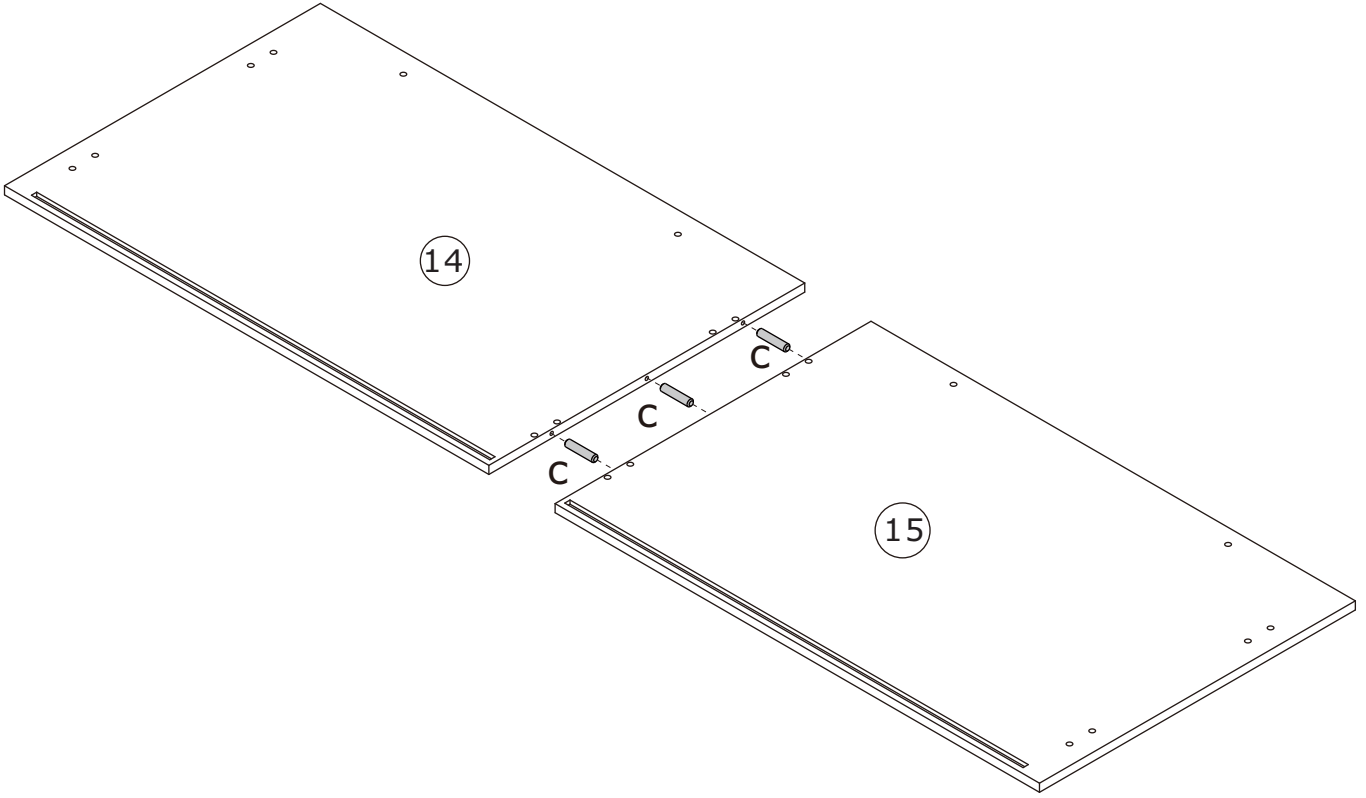
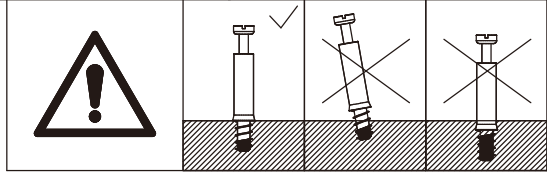
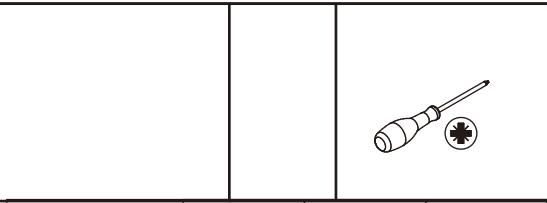
∅ 6 x 30mm



11

Ax8

Ø5x31mm

Cx3

Ø8x30mm



12

Bx8

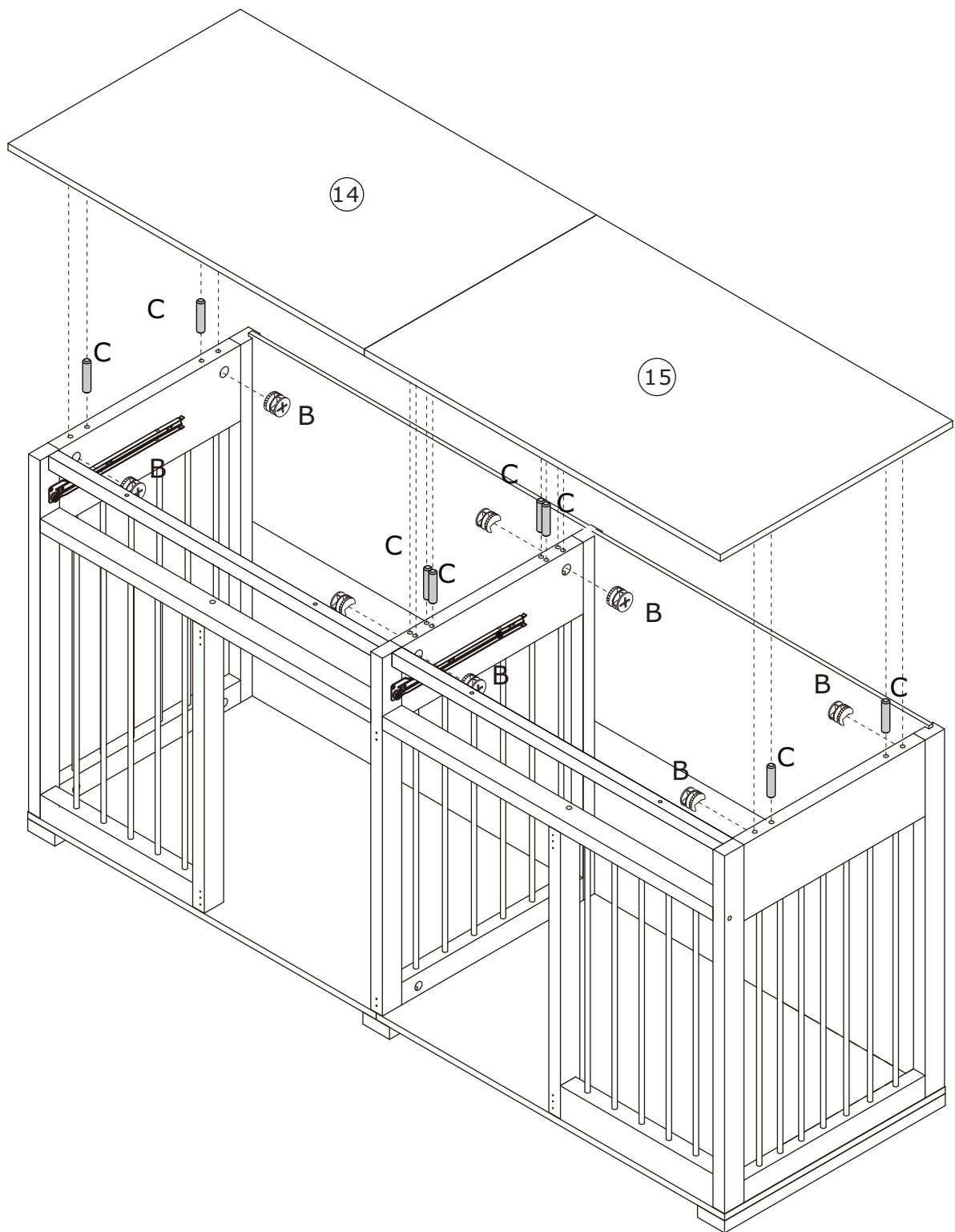
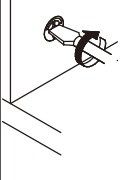
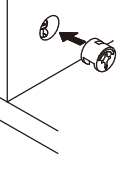
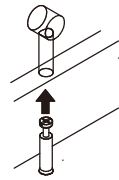


∅ 15x11mm

Cx8



∅ 8x 30mm

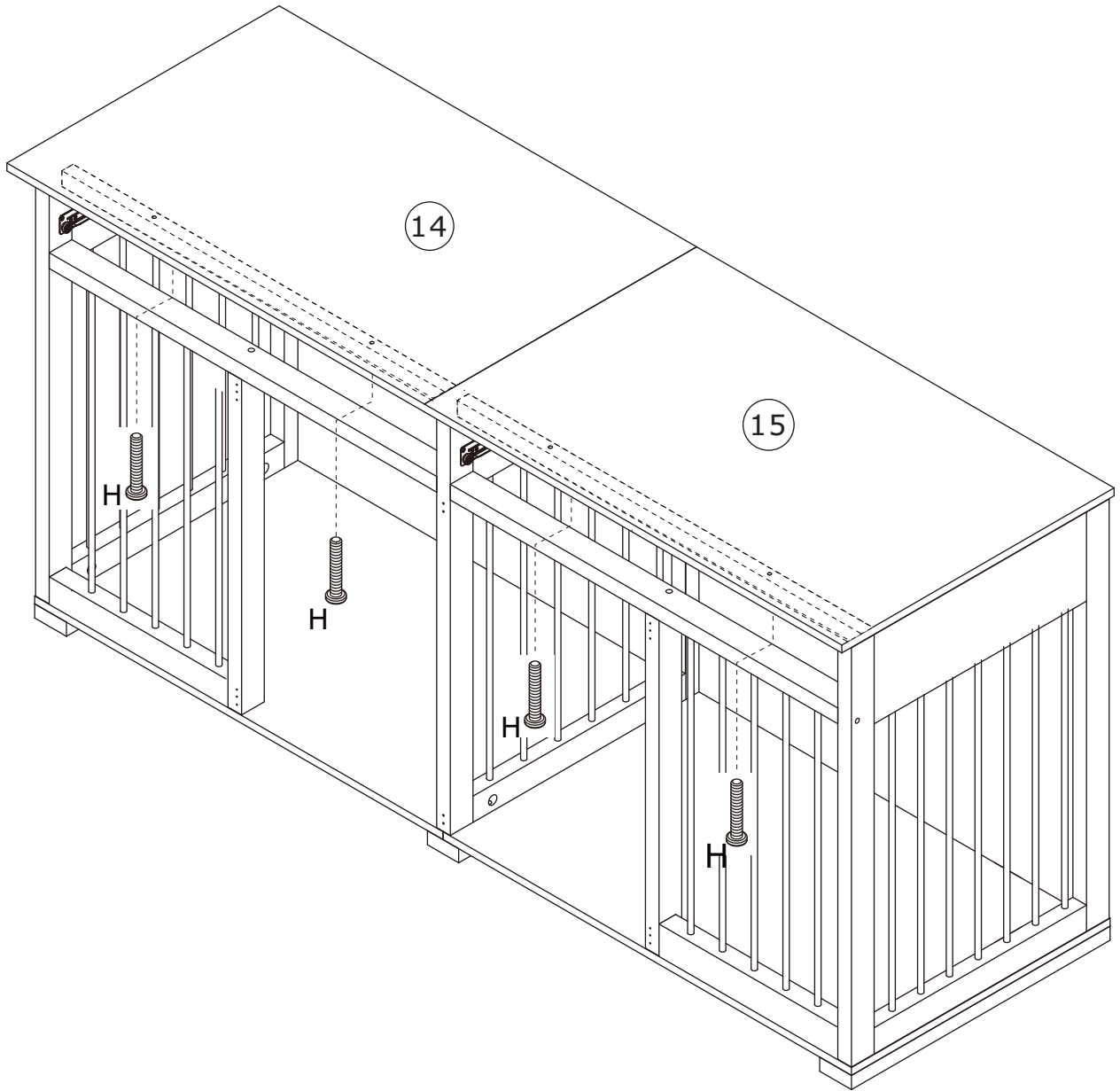


13

Hx4



Ø6x35mm

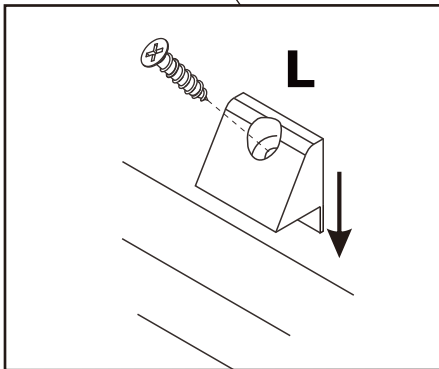
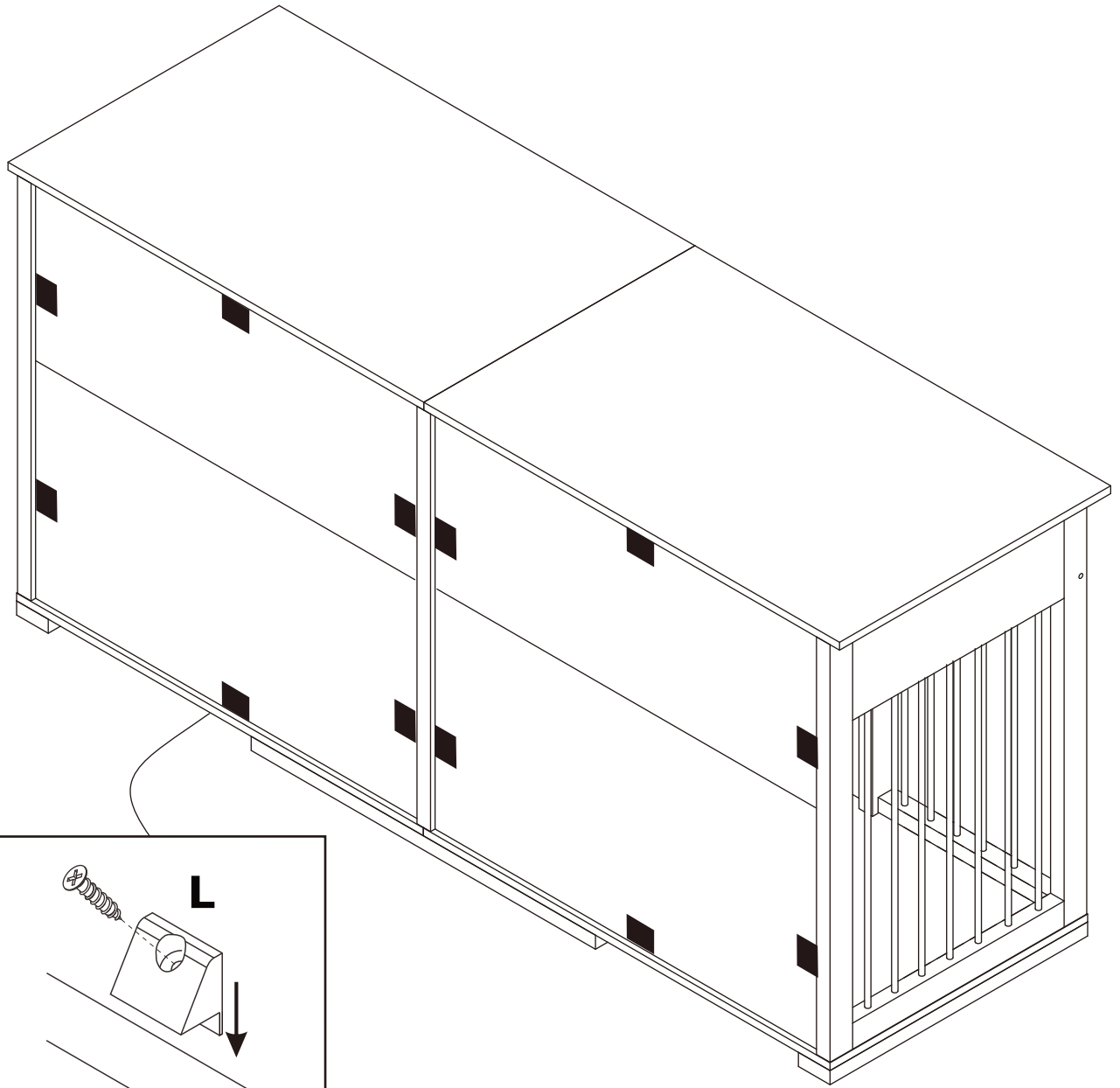


14



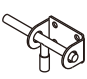


Lx12

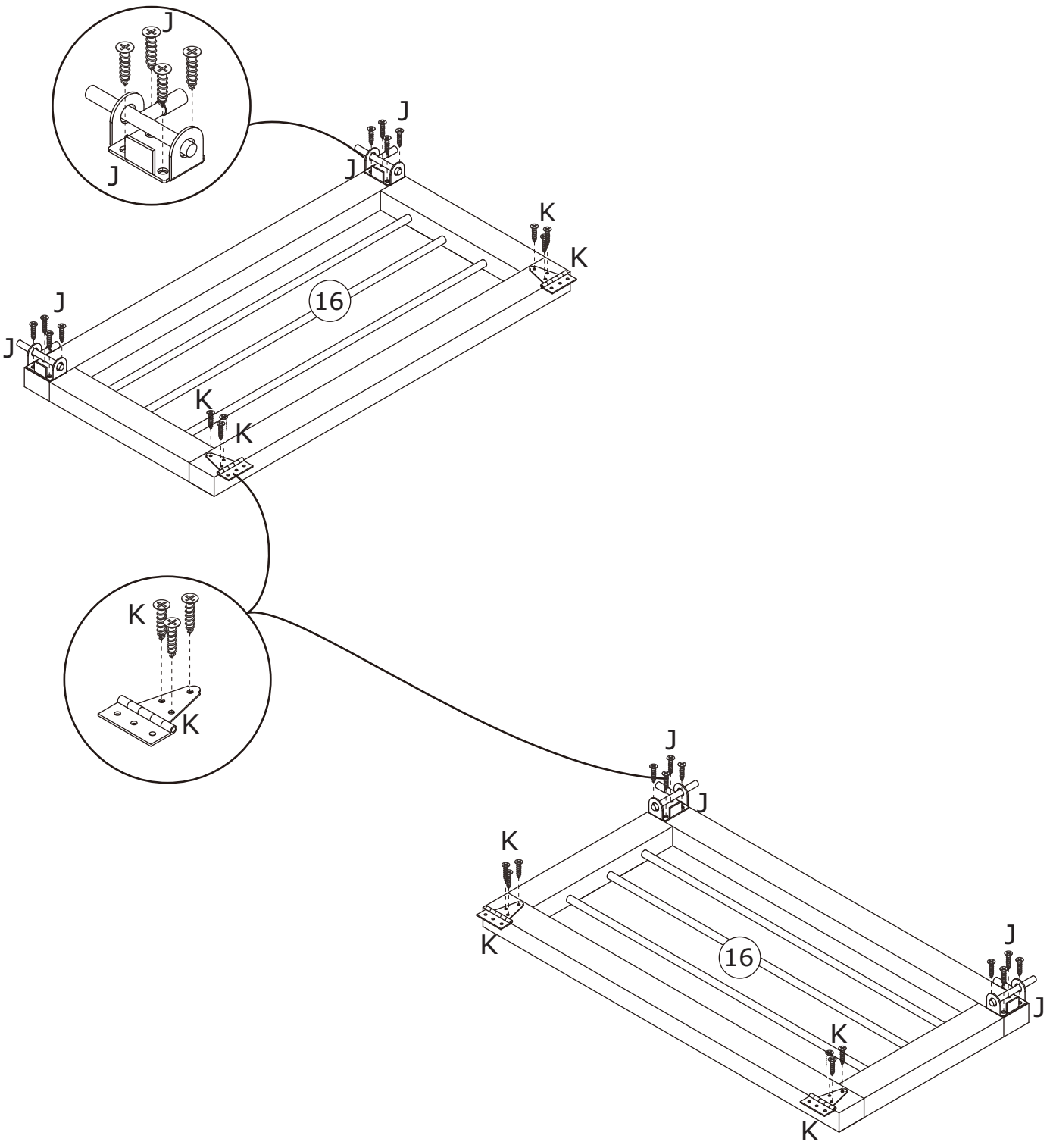


Ø3x10mm



15

Kx4 	Kx12  Ø3x10mm	Jx4 	Jx16  Ø3.5x14mm		
------------------------------------------------------------------------------------------	------------------------------------------------------------------------------------------------------	------------------------------------------------------------------------------------------	----------------------------------------------------------------------------------------------------------	--	-------------------------------------------------------------------------------------

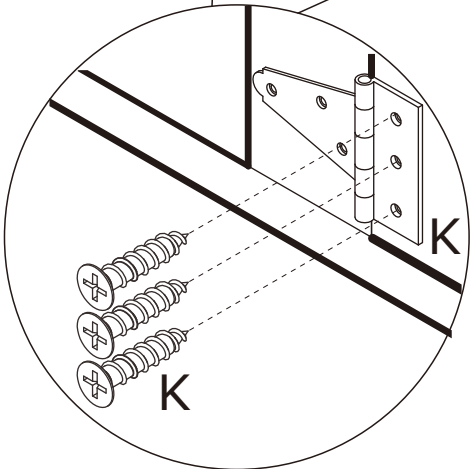
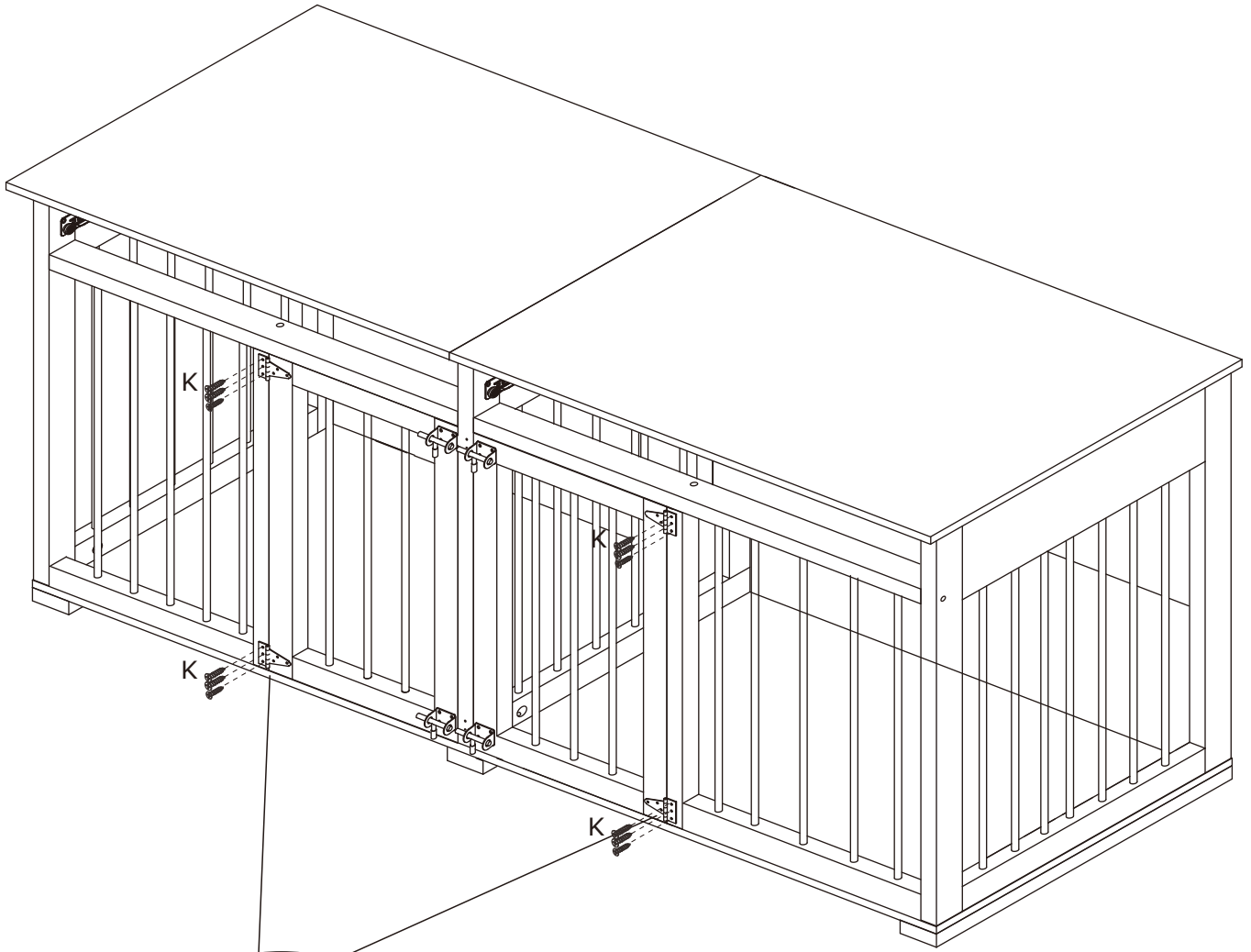


16

Kx12



Ø3x10mm



17

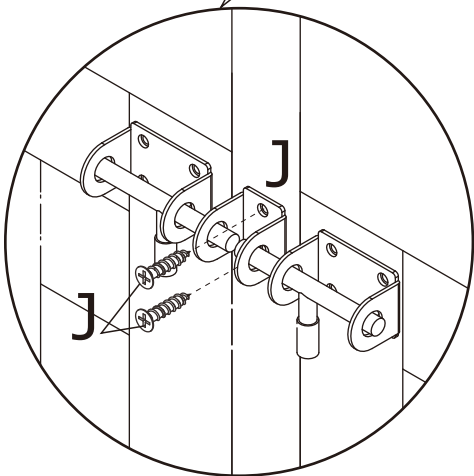
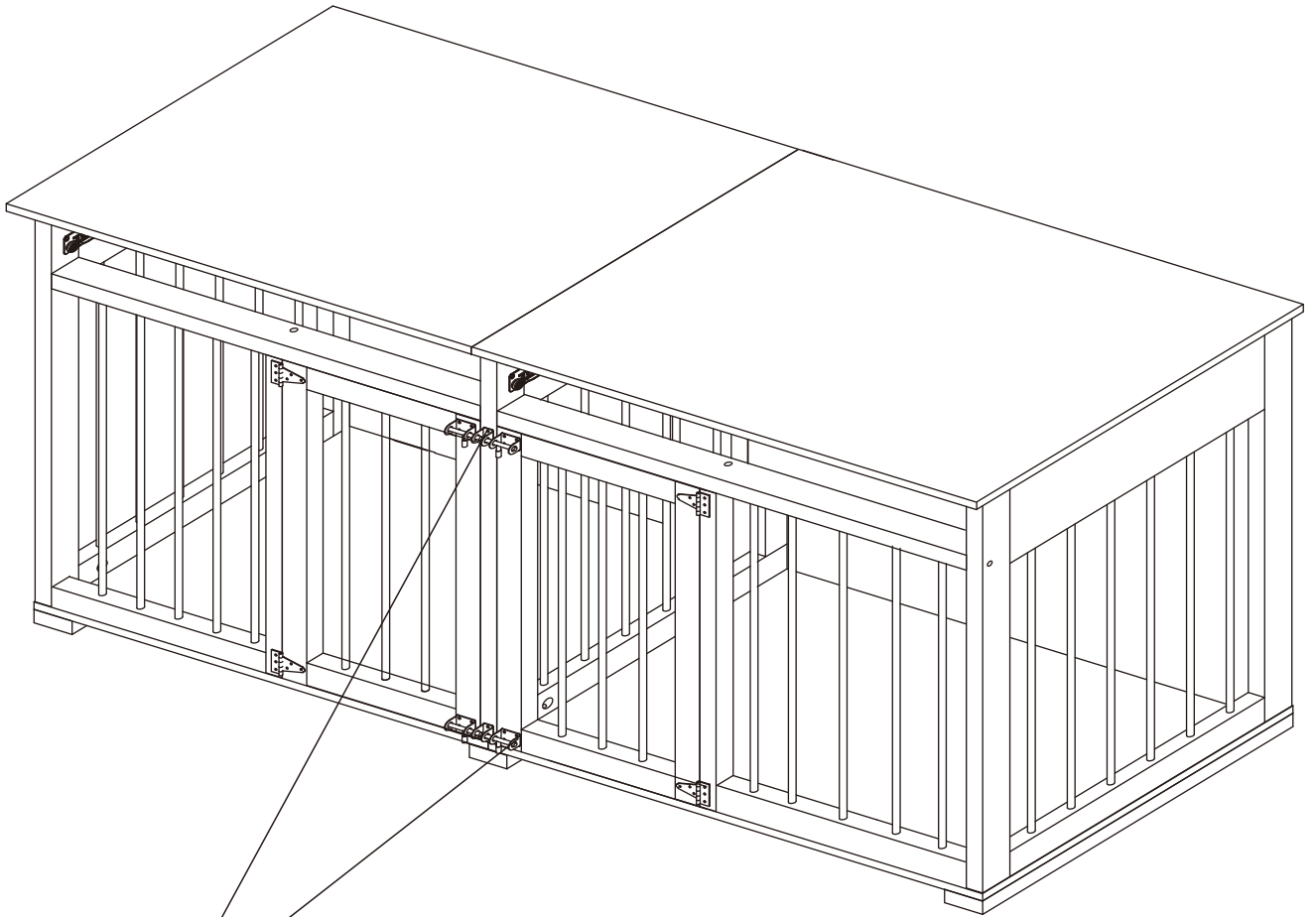
Jx2



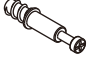


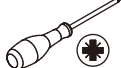
Jx4

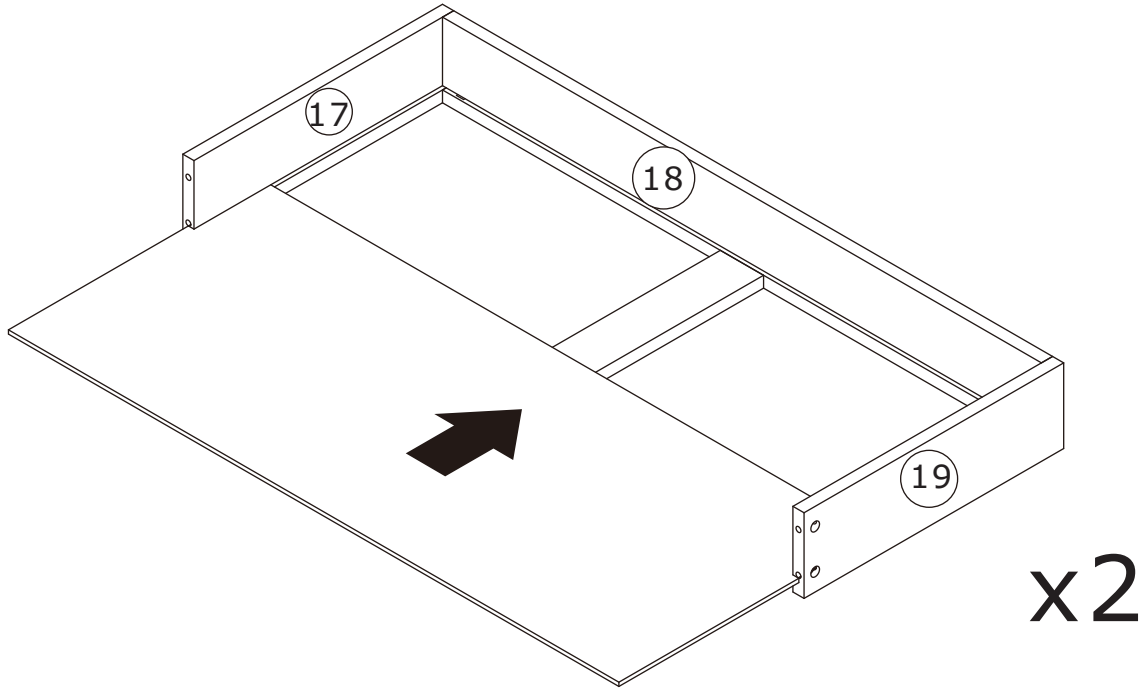
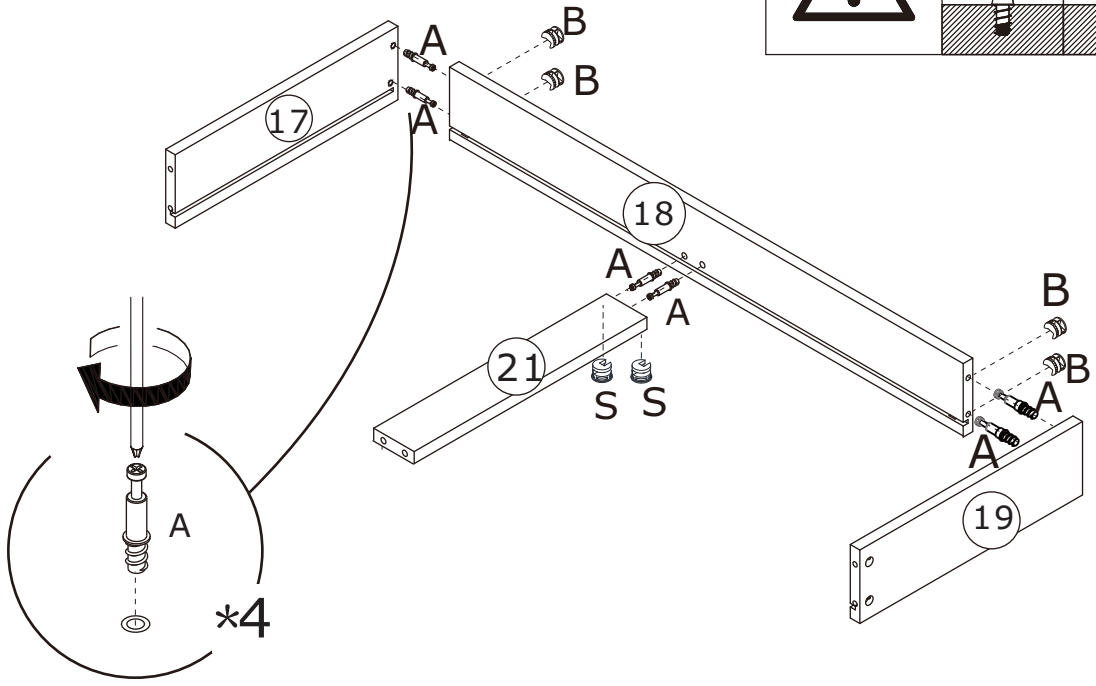
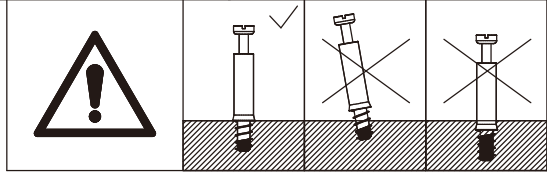


Ø 3.5x14mm

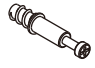


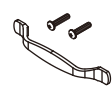



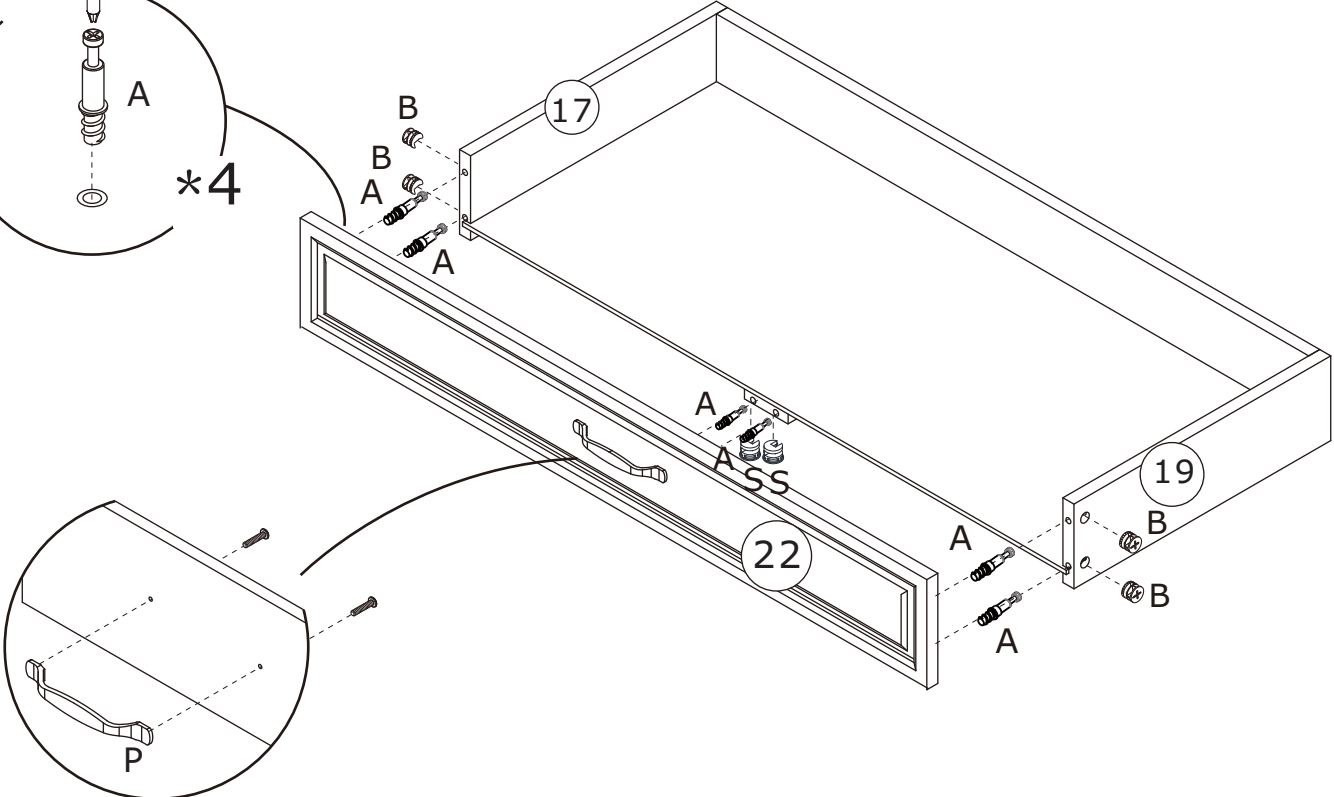
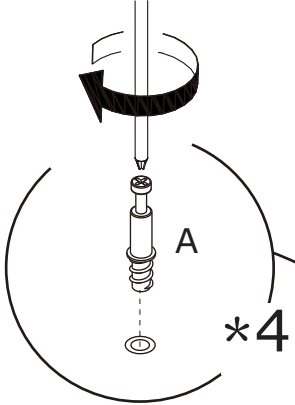
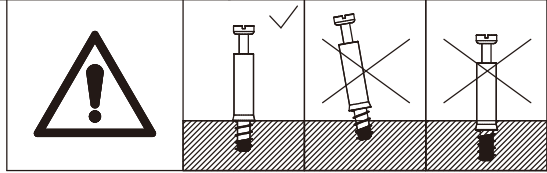
18

Ax 12  Ø5x31mm	Bx8  Ø15x11mm	Sx4  Ø15x9.5mm			
-------------------------------------------------------------------------------------------------------	------------------------------------------------------------------------------------------------------	-------------------------------------------------------------------------------------------------------	--	--	-------------------------------------------------------------------------------------



19

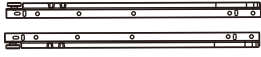
Ax12  ∅5x31mm	Bx8  ∅15x11mm	Sx4  ∅15x9.5mm	Px2  ∅4 x18mm		
------------------------------------------------------------------------------------------------------	------------------------------------------------------------------------------------------------------	-------------------------------------------------------------------------------------------------------	--------------------------------------------------------------------------------------------------------	--	-------------------------------------------------------------------------------------



x2

20

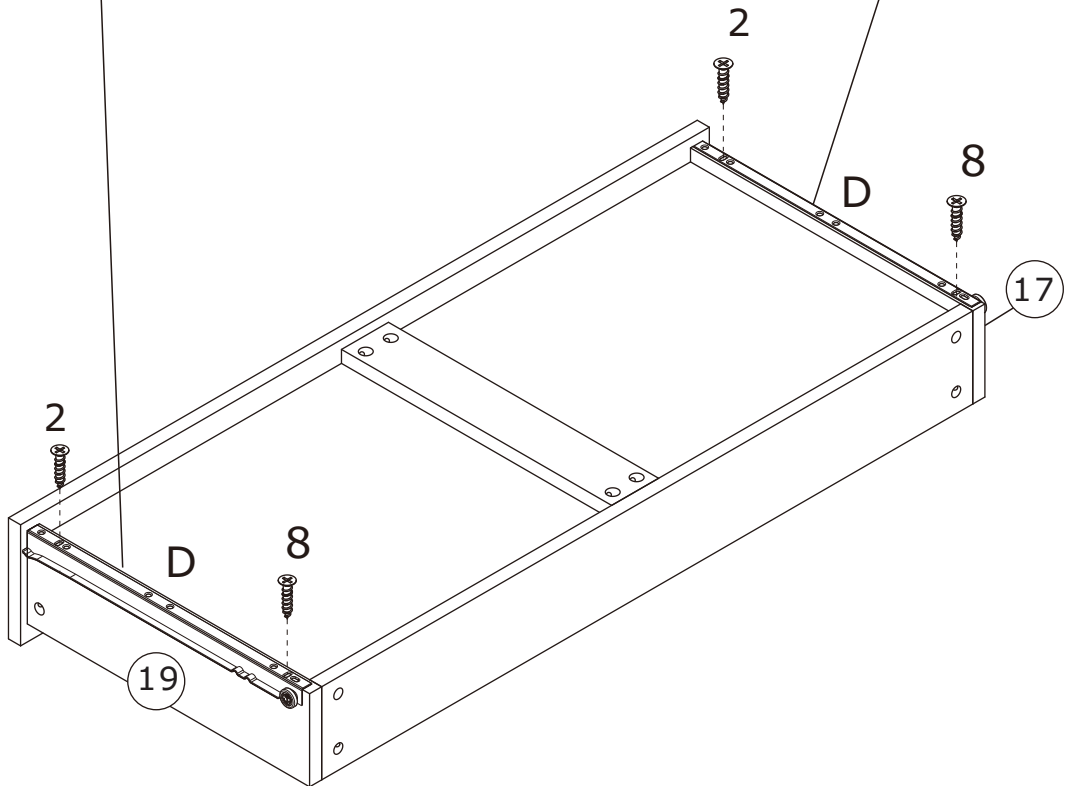
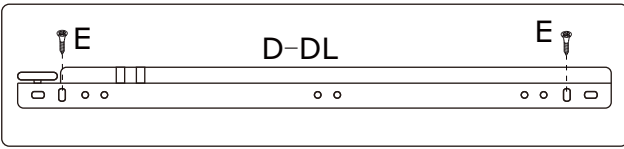
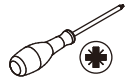
Dx1



Ex4

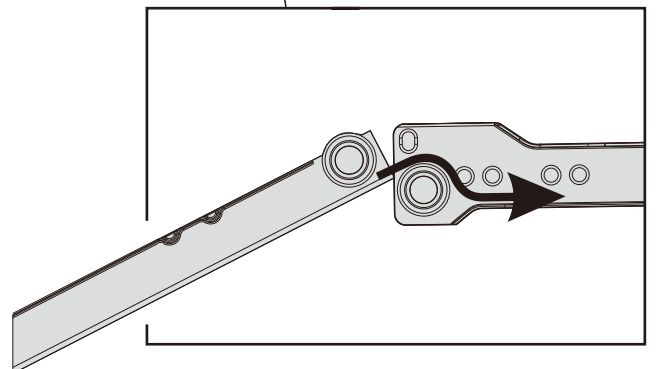
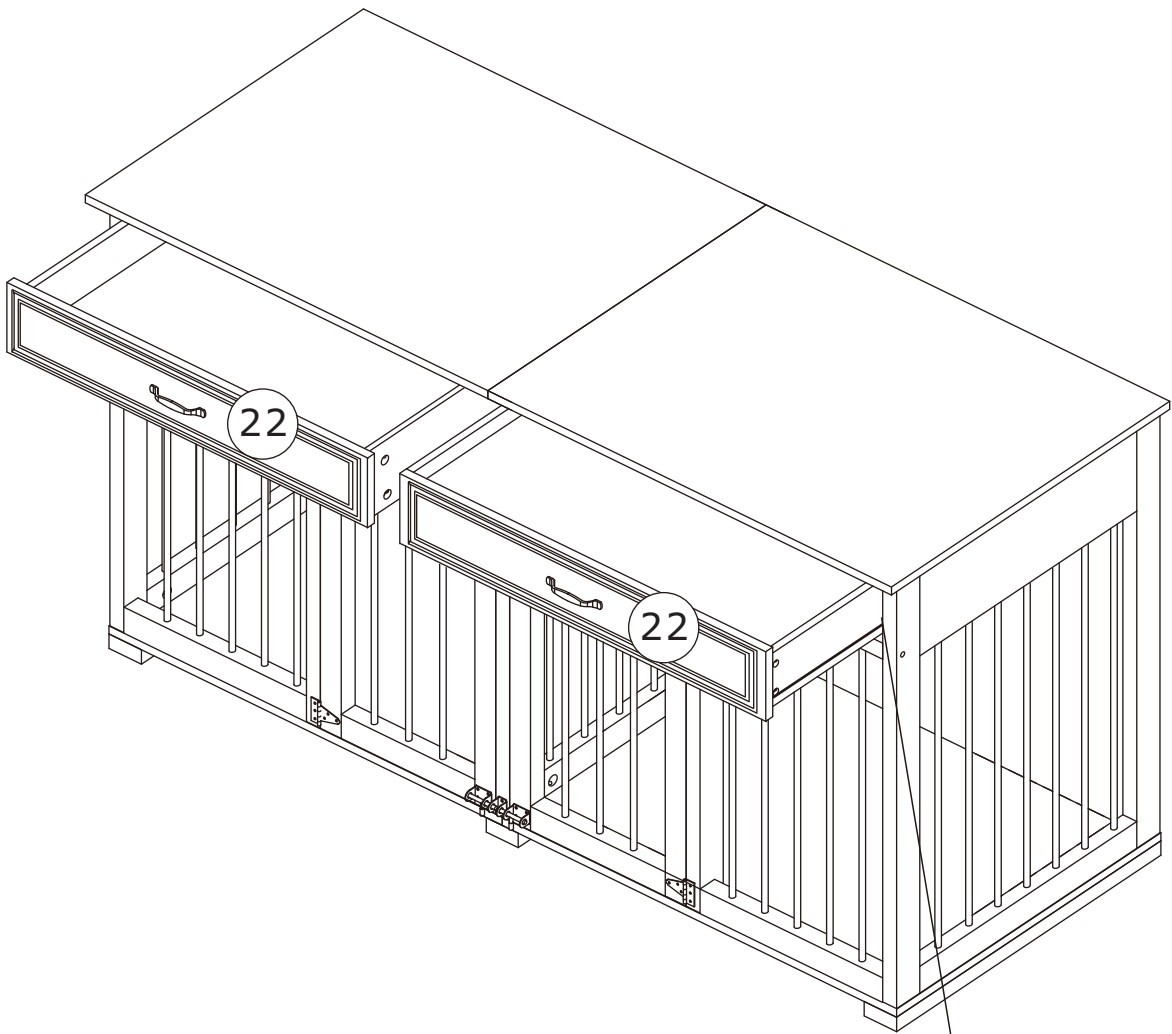


∅3x10 mm



x2

21



22

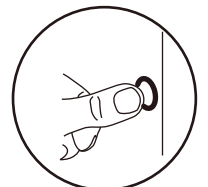
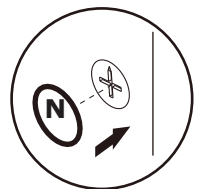
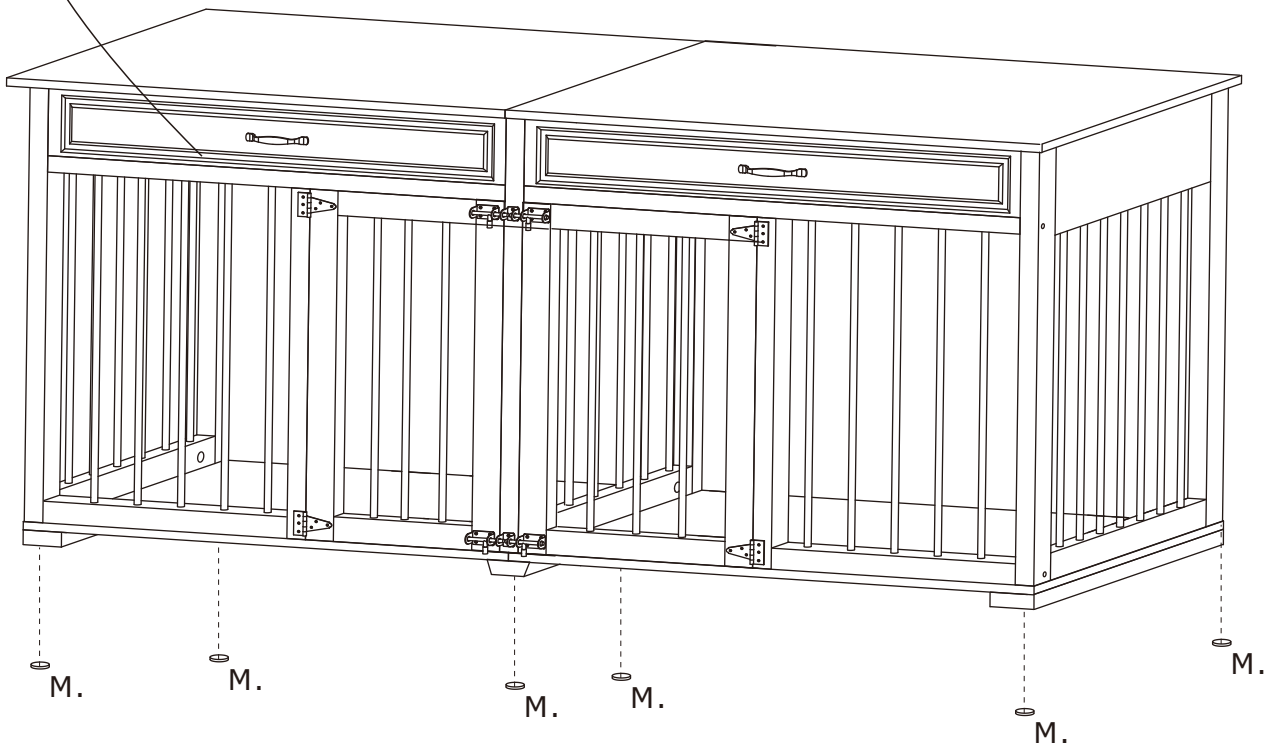
Mx6

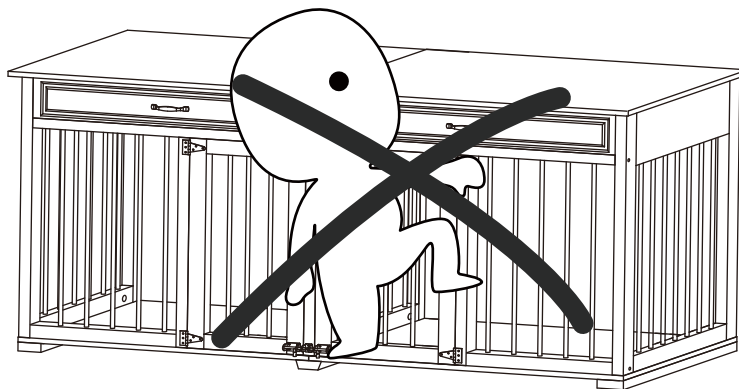
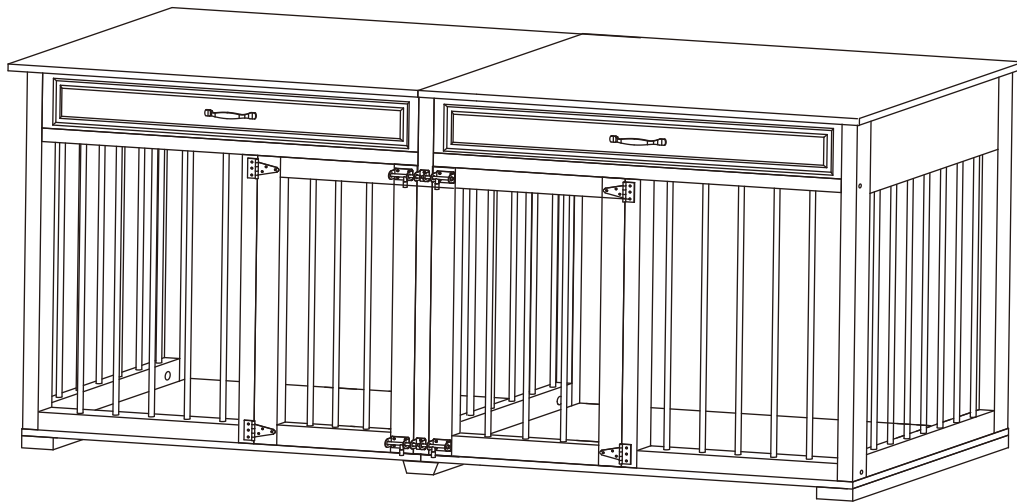


NX52



Zx1





Serious or fatal crushing injuries can occur from furniture tip-over. To further reduce the risk of serious injury and death from tip-overs:

Schwere oder tödliche Quetschverletzungen können durch Umkippen von Möbeln auftreten.
Um das Risiko schwerer Verletzungen und Todesfälle durch Umkippungen weiter zu reduzieren.

WARRANTY

WARRANTY CLAIMS

- There is a 30-day warranty for broken furniture or any other problems that do not work properly. The warranty will start from the date of purchase which must be verified by proof of purchase.
- Before making a claim, we may be able to answer your query, simply call us. Please leave your purchase order number, along with some details of the problem, if you want a replacement part. We will arrange within 48 hours. If there is out of stock, we will reply with a shipping date.
- The product must be used in accordance with the instructions provided. For health reasons.
- For other reasons, if the furniture needs to be returned, it must be cleaned and dried and operated within 30 days of receipt.

Type of Warranty Claim

- Failure to follow the furniture instructions will invalidate the warranty. Attention please.
- Does not include damage during installation, but includes damage during transportation.

Scope of responsibility

- Shall not bear any responsibility for misuse or user damage and / or loss of parts during the installation of furniture.
- After using, the damage and scratches of the furniture are not covered by the warranty.

The Warranty Relates to All Bought in The Us and Covers The Following Areas

- Sheet parts: 1 month from the date of purchase.
- Electrical parts: 1 month from the date of purchase.

RETURNS

CHANGED YOUR MIND AND NEED TO RETURN YOU ITEM?

PLEASE FOLLOW THE BELOW INSTRUCTIONS:

- If you have purchased and have simply changed your mind, follow the retailer's instructions for returns.

DEFECTIVE ITEMS

- If your item is defective in any way, i.e. it doesn't work but you can't identify why, in the first instance, please call us.

DAMAGED ITEMS

- If you receive an order with obvious shipping damage from the retailer, then we suggest the delivery is refused. If the delivery has been accepted and then shipping damage is found, please follow the specific instructions advised by the retailer. In all circumstances please save all packaging material and paperwork for the order. Please be aware that if you dispose of packaging material or attempt to return the merchandise without contacting the fulfiller, you jeopardise your chances of making a claim, and you may not receive a credit for the return.