

INSTALLATION INSTRUCTION
 TRACK LIGHT
 E-H-0224-CS

WARNING

IMPORTANT: NEVER attempt any work without shutting off the electricity.

- Read all instructions before installing.
- System is intended for installation by a qualified electrician in accordance with the National Electrical Code and local regulations.
- Go to the main fuse box, or circuit breaker. Place the main power switch in the "OFF" position and unscrew the fuse(s) or switch "OFF" the circuit breaker switch(es) that control the power to the fixture or room that you are working on.
- Place the wall switch in the "OFF" position.

AVERTISSEMENT

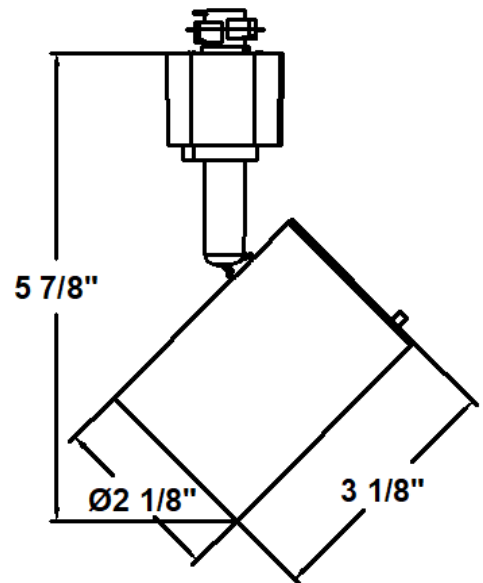
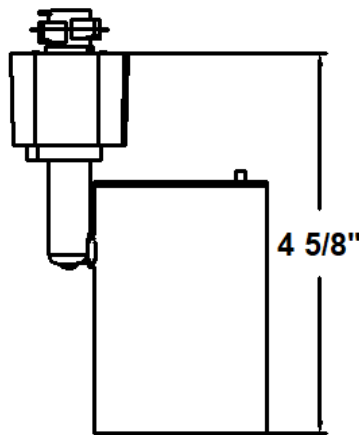
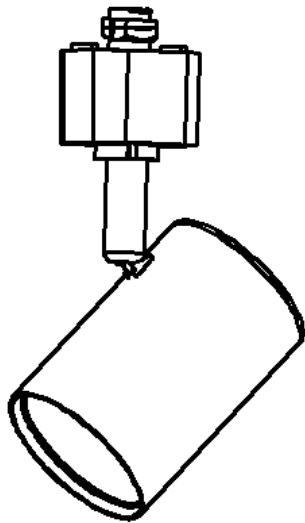
IMPORTANT : Coupez l'électricité avant TOUTE manipulation.

- Lisez toutes les instructions avant d'installer.
- Système est destiné à être installé par un électricien qualifié en conformité avec le code national de l'électricité et les règlements locaux.
- Accédez au panneau central de disjoncteurs ou de fusibles de votre demeure et placez l'interrupteur principal en position d'arrêt (« OFF »).
- Placez l'interrupteur mural en position d'arrêt (« OFF »).

OVERVIEW:

Fixtures are designed for use on East Grove Home Lighting's track systems.

LED TRACK LUMINAIRE	LED TRACK LUMINAIRE
H-0224-CS Series	120V H Track

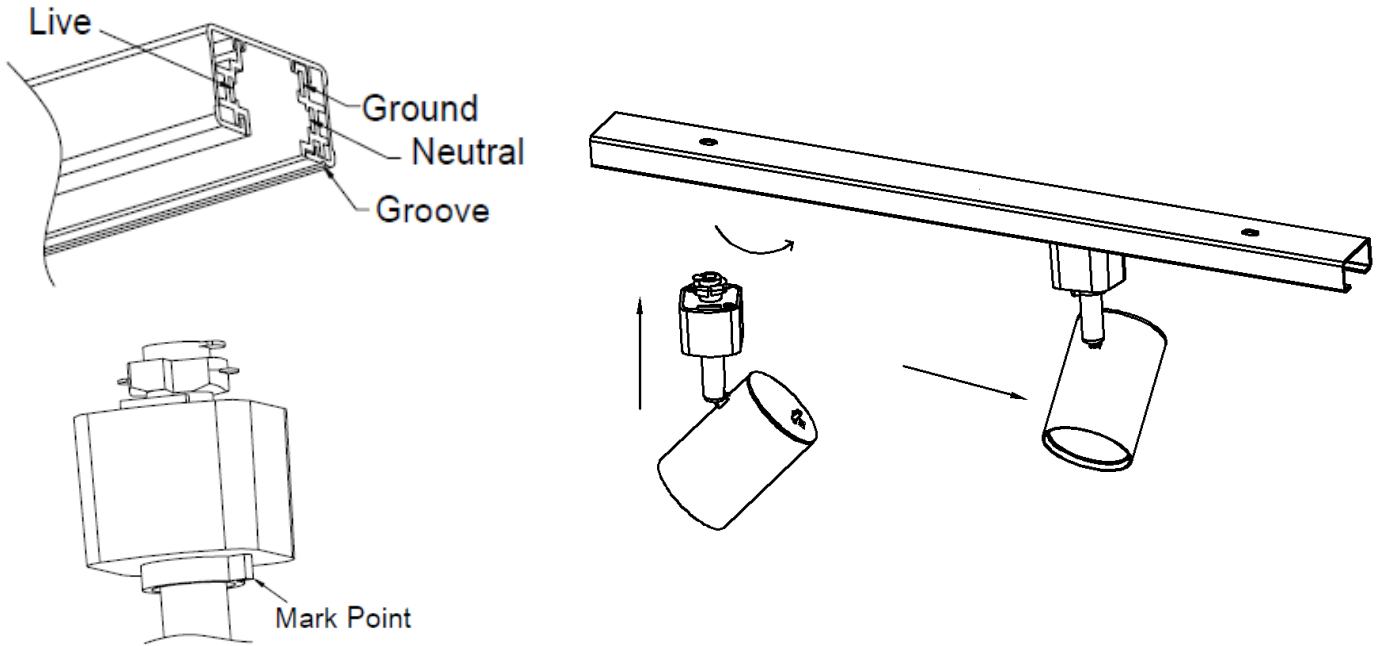


Note: All parts must be used as indicated in these instructions. Do not substitute any parts, leave parts out, or use any parts that are worn out or broken. Failure to follow this instruction could invalidate the ETL/cETL listing of this fixture.

INSTALLATION INSTRUCTION
TRACK LIGHT
E-H-0224-CS

FIXTURE INSTALLATION FOR H/ L/ J TRACK: (Fig.1)

1. The track has a groove running its length to indicate polarity , the track adapter locking tab and polarity indicator as Fig.
2. Insert the adapter into the track slot and rotate 90° so that the mark point is pointing to the side of the track groove.
3. Push up and rotate the adapter into the lock position.
4. Reverse procedure to remove. The fixture may be positioned anywhere along the track.



FIXTURE POSITIONING: (Fig.2)

Power on fixture, rotate the luminaire's body horizontally or vertically to aim it properly.

The fixture can rotate $\pm 90^\circ$ vertically and 350° horizontally. The CCT is adjusted between 2700K, 3000K, 3500K, 4000K, 5000K

Fig.2

