



User Guide

Upright Freezer

THANK YOU for purchasing this high-quality product. Register your freezer at www.whirlpool.com. In Canada, register your freezer at www.whirlpool.ca.

For future reference, please make a note of your product model and serial numbers. These numbers can be found inside your freezer.

Model Number _____

Serial Number _____

TABLE OF CONTENTS

SAFETY	1	Key Eject Lock (on some models)	8
INSTALLING YOUR FREEZER	2	Ice Maker (on some models).....	8
Unpacking	2	Freezer Features.....	8
Location Requirements	3	CARING FOR YOUR FREEZER	9
Electrical Requirements	3	Cleaning Your Frost-Free Freezer	9
Water Supply Requirements		Changing the Light Bulb	10
(on some models).....	4	TROUBLESHOOTING	10
Connect the Water Supply		Power Interruptions.....	10
(on some models).....	4	Moving Care	10
Remove and Replace the Handle	5	Freezer Operation.....	11
Freezer Door.....	5	Ice Production	12
Freezer Leveling and Door Closing.....	6	Ice Quality.....	12
OPERATING YOUR FREEZER	7	WARRANTY	13
Ensuring Proper Air Circulation.....	7		
Using the Control	7		

SAFETY

Your safety and the safety of others are very important.

We have provided many important safety messages in this manual and on your appliance. Always read and obey all safety messages.



This is the safety alert symbol.

This symbol alerts you to potential hazards that can kill or hurt you and others.

All safety messages will follow the safety alert symbol and either the word "DANGER" or "WARNING."

These words mean:

⚠ DANGER

You can be killed or seriously injured if you don't immediately follow instructions.

⚠ WARNING

You can be killed or seriously injured if you don't follow instructions.

All safety messages will tell you what the potential hazard is, tell you how to reduce the chance of injury, and tell you what can happen if the instructions are not followed.

IMPORTANT SAFETY INSTRUCTIONS

WARNING: To reduce the risk of fire, electric shock, or injury when using your refrigerator, follow these basic precautions:

- Plug into a grounded 3 prong outlet.
- Do not remove ground prong.
- Do not use an adapter.
- Do not use an extension cord.
- Disconnect power before servicing.
- Replace all parts and panels before operating.
- Remove doors from your old refrigerator.
- Connect to a potable water supply only.
- Use nonflammable cleaner.
- Keep flammable materials and vapors, such as gasoline, away from refrigerator.
- Use two or more people to move and install refrigerator.
- Disconnect power before installing ice maker (on ice maker kit ready models only).
- Use a sturdy glass when dispensing ice (on some models).
- Do not hit the refrigerator glass doors (on some models).
- This appliance is not intended for use by persons (including children) with reduced physical, sensory or mental capabilities, or lack of experience and knowledge, unless they have been given supervision or instruction concerning use of the appliance by a person responsible for their safety.
- Children should be supervised to ensure that they do not play with the appliance.

SAVE THESE INSTRUCTIONS

State of California Proposition 65 Warnings:

WARNING: This product contains a chemical known to the State of California to cause cancer.

WARNING: This product contains a chemical known to the State of California to cause birth defects or other reproductive harm.

Proper Disposal of Your Old Freezer or Refrigerator

WARNING

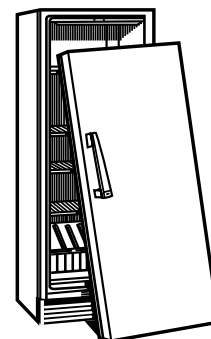
Suffocation Hazard

Remove doors or lid from your old freezer or refrigerator.

Failure to do so can result in death or brain damage.

Before You Throw Away Your Old Freezer or Refrigerator:

- Take off the doors or lid.
- Leave the shelves in place so that children may not easily climb inside.



Important information to know about disposal of refrigerants:

Dispose of freezer in accordance with Federal and Local regulations. Refrigerants must be evacuated by a licensed, EPA certified refrigerant technician in accordance with established procedures.

IMPORTANT: Child entrapment and suffocation are not problems of the past. Junked or abandoned freezers or refrigerators are still dangerous — even if they will sit for “just a few days.” If you are getting rid of your old refrigerator or freezer, please follow these instructions to help prevent accidents.

INSTALLING YOUR FREEZER

Unpacking

WARNING

Excessive Weight Hazard

Use two or more people to move and install freezer.

Failure to do so can result in back or other injury.

When Moving Your Freezer:

Your freezer is heavy. When moving the freezer for cleaning or service, be sure to cover the floor with cardboard or hardboard to avoid floor damage. Always pull the freezer straight out when moving it. Do not wiggle or “walk” the freezer when trying to move it, as floor damage could occur.

Remove Packaging Materials

- Remove tape and glue residue from surfaces before turning on the freezer. Rub a small amount of liquid dish soap over the adhesive with your fingers. Wipe with warm water and dry.
- Do not use sharp instruments, rubbing alcohol, flammable fluids, or abrasive cleaners to remove tape or glue. These products can damage the surface of your freezer. For more information, see “Safety.”

Clean Before Using

After you remove all of the packaging materials, clean the inside of your freezer before using it. See the cleaning instructions in the "Caring for Your Freezer" section.

Important information to know about glass shelves and covers:

Do not clean glass shelves or covers with warm water when they are cold. Shelves and covers may break if exposed to sudden temperature changes or impact, such as bumping. Tempered glass is designed to shatter into many small, pebble-size pieces. This is normal. Glass shelves and covers are heavy. Use both hands when removing them to avoid dropping.

Location Requirements

⚠ WARNING



Explosion Hazard

Keep flammable materials and vapors, such as gasoline, away from freezer.

Failure to do so can result in death, explosion, or fire.

Ventilation and Clearance

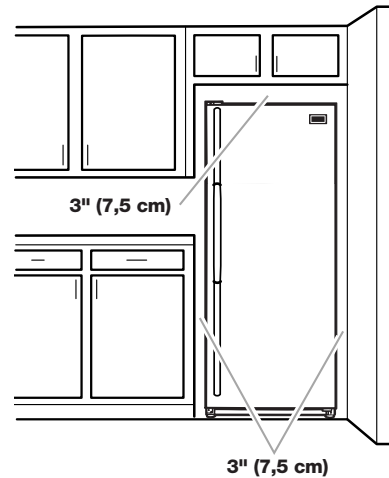
- Keep flammable materials and vapors, such as gasoline, away from freezer.
- Do not cover the freezer with items such as blankets, sheets, tablecloths, etc. This reduces air circulation.
- Allow at least 3" (7.5 cm) of air space at the top and on both sides of the freezer and 1" (2.5 cm) between the back of the freezer and the wall. If the freezer is to be next to a fixed wall, leave extra space on the hinge side so the door can open wider.

Temperature

Your freezer operates most efficiently when located in an area where the temperature will not fall below 40°F (5°C). Place your freezer in a location where the temperature will not fall below this recommended temperature.

Upon Moving to Final Location

NOTE: Allow for a 3" (7.5 cm) clearance at the top and sides and a 1/4" (6.4 mm) clearance between the appliances.



Electrical Requirements

⚠ WARNING



Electrical Shock Hazard

Plug into a grounded 3 prong outlet.

Do not remove ground prong.

Do not use an adapter.

Do not use an extension cord.

Failure to follow these instructions can result in death, fire, or electrical shock.

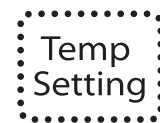
Before you move your freezer into its final location, it is important to make sure you have the proper electrical connection.

Recommended Grounding Method

A 115 Volt, 60 Hz., AC-only, 15- or 20-amp fused, grounded electrical supply is required. It is recommended that a separate circuit serving only your freezer be provided. Use an outlet that cannot be turned off by a switch. Do not use an extension cord.

NOTE: Before performing any type of installation, cleaning, or removing a light bulb, press and hold TEMP SETTING for 3 seconds to turn off cooling, and then disconnect the freezer from the electrical source.

Over Temp Reset



Cooling On/Off
Hold 3 Sec

Water Supply Requirements (on some models)

Gather the required tools and parts before starting installation. Read and follow the instructions provided with any tools listed here.

Tools Needed

- Flat-blade screwdriver
- 1/4" nut driver
- 7/16" and 1/2" open-end or 2 adjustable wrenches
- 1/4" drill bit
- Cordless drill

NOTE: Your freezer dealer has a kit available with a 1/4" (6.35 mm) saddle-type shut-off valve, a union, and plastic tubing. Before purchasing, make sure a saddle-type valve complies with your local plumbing codes. Do not use a piercing-type or 3/16" (4.76 mm) saddle valve which reduces water flow and clogs more easily.

IMPORTANT:

- If you turn the freezer on before the water line is connected, turn the ice maker off.
- All installations must meet local plumbing code requirements.
- Use plastic tubing and check for leaks. Install plastic tubing only in areas where temperatures will remain above freezing.

Water Pressure

A cold water supply with water pressure of between 30 and 120 psi (207 to 827 kPa) is required to operate the water dispenser and ice maker. If you have questions about your water pressure, see "Troubleshooting" or call a licensed, qualified plumber.

Reverse Osmosis Water Supply

If a reverse osmosis water filtration system is connected to your cold water supply, the water pressure to the system needs to be a minimum of 40 to 60 psi (276 to 414 kPa).

If the water pressure to the reverse osmosis system is less than 40 to 60 psi (276 to 414 kPa), a booster pump can be inserted into the small tubing that goes from the cold water line to the reverse osmosis system.

If the water dispenser is still not dispensing water properly:

- Check to see whether the sediment filter in the reverse osmosis system is blocked. Replace the filter if necessary.
- Allow the storage tank on the reverse osmosis system to refill after heavy usage.
- If your refrigerator has a water filter, it may further reduce the water pressure when used in conjunction with a reverse osmosis system. Remove the water filter.

If you have questions about your water pressure, refer to "Troubleshooting" or call a licensed, qualified plumber.

Connect the Water Supply (on some models)

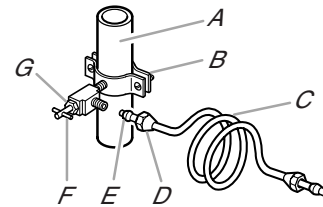
Connect to Water Line

1. Unplug freezer or disconnect power.
2. Turn off main water supply. Turn on nearest faucet long enough to clear line of water.
3. Locate a 1/2" to 1 1/4" (12.7 mm to 3.18 cm) vertical cold water pipe near the freezer.

IMPORTANT:

- Make sure it is a cold water pipe.
- Horizontal pipe will work, but drill on the top side of the pipe, not the bottom. This will help keep water away from the drill and normal sediment from collecting in the valve.

4. Determine the length of plastic tubing you need. Measure from the connection on the lower-left rear of freezer to the water pipe. Add 7 ft (2.1 m) to allow for cleaning. Use 1/4" (6.35 mm) O.D. (outside diameter) plastic tubing. Be sure both ends of plastic tubing are cut square.
5. Using a cordless drill, drill a 1/4" (6.35 mm) hole in the cold water pipe you have selected.

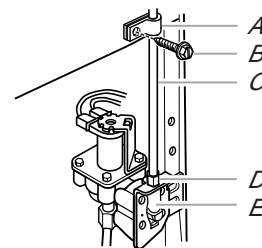


- | | |
|--------------------|-----------------------|
| A. Cold water pipe | E. Compression sleeve |
| B. Pipe clamp | F. Shut-off valve |
| C. Plastic tubing | G. Packing nut |
| D. Compression nut | |

6. Fasten the shut-off valve to the cold water pipe with the pipe clamp. Be sure the outlet end is solidly in the 1/4" (6.35 mm) drilled hole in the water pipe and that the washer is under the pipe clamp. Tighten the packing nut. Tighten the pipe clamp screws slowly and evenly so washer makes a watertight seal. Do not overtighten or you may crush the plastic tubing.
7. Slip the compression sleeve and compression nut on the plastic tubing as shown. Insert the end of the tubing into the outlet end squarely as far as it will go. Screw compression nut onto outlet end with adjustable wrench. Do not overtighten.
8. Place the free end of the tubing in a container or sink and turn on the main water supply. Flush the tubing until water is clear. Turn off the shut-off valve on the water pipe. Coil the plastic tubing.

Connect to Freezer

1. Attach the plastic tube to the valve inlet using a compression nut and sleeve as shown. Tighten the compression nut. Do not overtighten.
2. Use the tube clamp on the back of the freezer to fasten the tubing to the freezer as shown. This will help avoid damage to the tubing when the freezer is pushed back against the wall.
3. Turn shut-off valve on.
4. Check for leaks. Tighten any connections (including connections at the valve) or nuts that leak.



- | | |
|---------------------|--------------------|
| A. Tube clamp | D. Compression nut |
| B. Tube clamp screw | E. Valve inlet |
| C. Plastic tubing | |

5. The ice maker is equipped with a built-in water strainer. If your water conditions require a second water strainer, install it in the 1/4" (6.35 mm) water line at either tube connection. Obtain a water strainer from your nearest appliance dealer.

⚠ WARNING



Electrical Shock Hazard

- Plug into a grounded 3 prong outlet.**
- Do not remove ground prong.**
- Do not use an adapter.**
- Do not use an extension cord.**
- Failure to follow these instructions can result in death, fire, or electrical shock.**

6. Plug into a grounded 3 prong outlet.

Remove and Replace the Handle

To Remove the Handle:

1. Loosen the setscrews located on the side of handle at each end. See “Door Swing Reversal and Handle Removal” graphic.
2. Remove the handle from the grommets.

To Replace the Handle:

1. Place the handle onto the grommets making sure the grommets are fitted into the handle holes.
2. Tighten the upper and lower setscrews with the hex key provided. See “Door Swing Reversal and Handle Removal” graphic. Do not overtighten the setscrews.

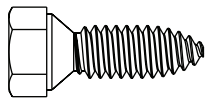
Freezer Door

Tools Needed: 5/16" hex-head socket wrench, 3/8" hex-head socket wrench, flat 2" putty knife.

IMPORTANT:

- All graphics referenced in the following instructions are included later in this section after “Final Steps.” The graphics shown are for a right-hand swing door (hinges factory installed on the right).
- If you only want to remove and replace the door, see the “Remove Door and Hinges” and “Replace Door and Hinges.”
- Before you begin, turn the control OFF and remove food and adjustable door or utility bins from door.

Remove Door and Hinges



Hex-head hinge screws

1. Unplug freezer or disconnect power.
2. Keep the freezer door closed until you are ready to lift it free from the cabinet.
NOTE: Provide additional support for the door while the hinges are being moved. Do not depend on the door magnets to hold the door in place while you are working.
3. Remove the parts for the top hinge as shown in Top Hinge graphic in the “Door Swing Reversal and Handle Removal” section.
4. Lift the freezer door free from the lower hinge and cabinet and set aside.
5. Remove the 4 hex-head hinge screws and bottom hinge assembly. See Bottom Hinge graphic in the “Door Swing Reversal and Handle Removal” section.

Reverse Door (optional on some models)

IMPORTANT: If you want to reverse your door so that it opens in the opposite direction, continue with “Reverse Door (optional on some models)” instructions. If you are not reversing the door, see “Replace Door and Hinges.”

Cabinet

1. Remove the cabinet hinge hole plugs from the cabinet top and move them to the opposite side hinge holes as shown in Graphic 2 in “Door Swing Reversal and Handle Removal” section.
2. Remove the bottom hinge pin from the hinge bracket.
3. Remove the decals covering the holes on the opposite side of the bottom hinge.
4. Reinstall the bottom hinge pin in the alternate hole in the hinge bracket. See Graphic 3 in “Door Swing Reversal and Handle Removal” section.
5. Reinstall the hinge bracket to the cabinet with the 4 hex-head hinge screws.

Door

1. Remove the hinge thimble hole plug from the top of the door.
2. Remove the door stop from the bottom of the door.
3. Move the door stop to the opposite side, making sure that the hole in the door stop plate is aligned perfectly with the hole in the door for the bottom hinge pin.
4. Using the screws removed in Step 2, fasten the door stop bracket to the bottom of the door.
5. Tighten all screws. Set aside the door until the bottom hinge is in place.

Replace Door and Hinges

NOTE: Graphic may be reversed if door swing is reversed.

1. Replace the parts for the bottom hinge as shown and tighten screws. See Bottom Hinge graphic. Replace the freezer door.
NOTE: Provide additional support for the door while the hinges are being moved. Do not depend on the door magnets to hold the door in place while you are working.
2. Assemble the parts of the top hinge as shown in the Top Hinge graphic in the “Door Swing Reversal and Handle Removal” section. Do not tighten the screws completely.

Final Steps

1. Check all holes to make sure that hole plugs and screws are in place. Reinstall top hinge cover. See Top Hinge graphic.
2. Using the provided decals, cover the remaining holes located on the opposite side from the bottom hinge.

⚠ WARNING

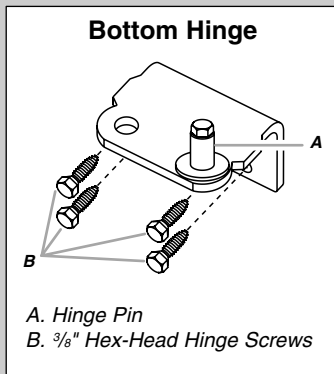
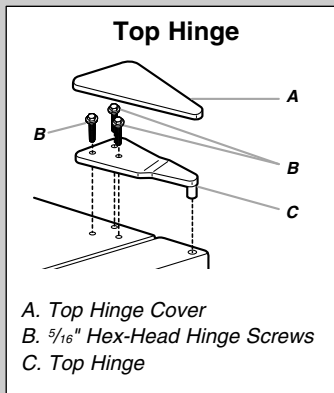


Electrical Shock Hazard

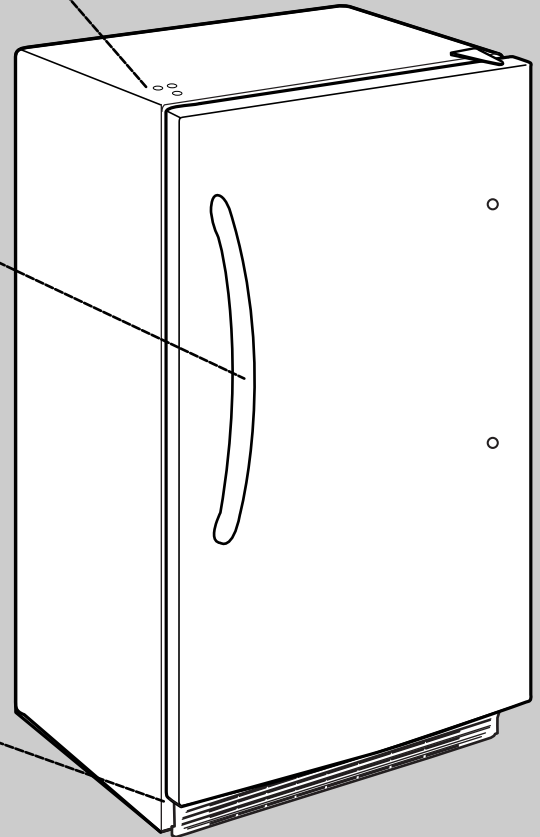
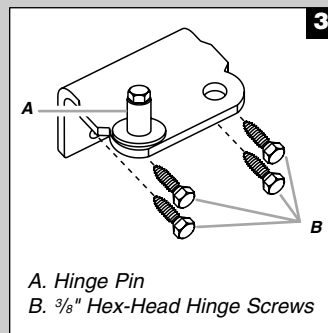
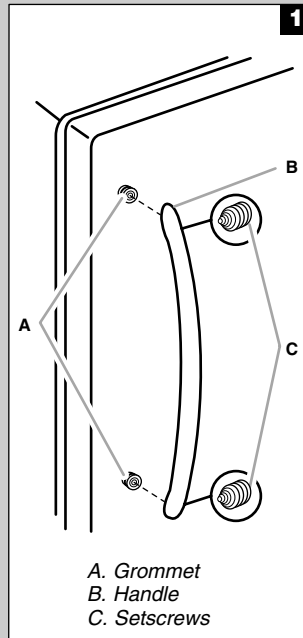
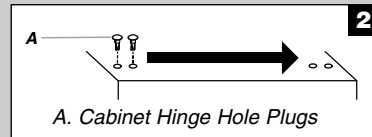
- Plug into a grounded 3 prong outlet.**
- Do not remove ground prong.**
- Do not use an adapter.**
- Do not use an extension cord.**
- Failure to follow these instructions can result in death, fire, or electrical shock.**

3. Plug into a grounded 3 prong outlet.
4. Reset the control. See “Using the Control.”
5. Return all removable door parts to door and food to freezer.

Door Removal & Replacement



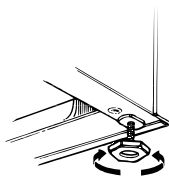
Door Swing Reversal and Handle Removal (optional)



Freezer Leveling and Door Closing

Style 1—without Grille

1. Locate the 2 front leveling legs taped among the packing materials.
2. Screw these legs into the front holes on the bottom of the freezer. The back of the freezer rests on 2 fixed supports.
3. Adjust the front legs enough to lift the cabinet up off the floor.
4. Place a leveling tool on top of the freezer first side to side, then front to back. Turn leg counterclockwise to raise a corner. Turn leg clockwise to lower a corner.
5. Repeat Step 4 until freezer is level.
6. After freezer is fully loaded with food, recheck with level as in Step 4.



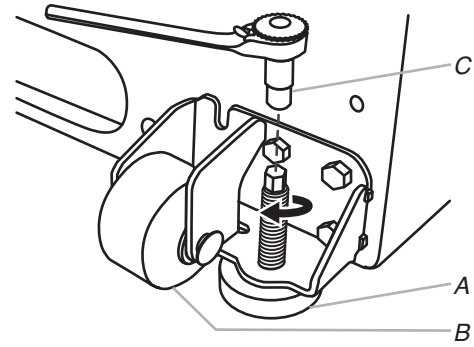
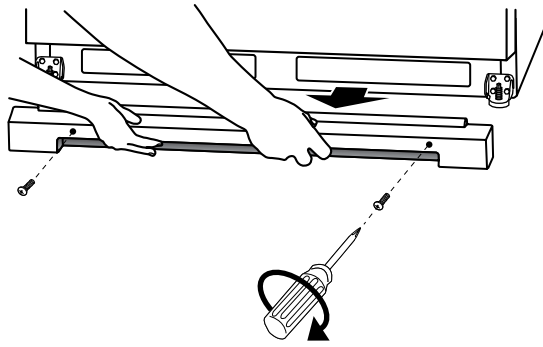
Style 2—with Grille

Your freezer has 2 front adjustable legs — one on each side. The back of the freezer rests on 2 fixed rollers. The base grille covers the adjustable brake feet and roller assemblies located at the bottom of the freezer below the freezer door. Before making any adjustments, remove the base grille and move the freezer to its final location.

Tools Needed: 1/4" hex driver, Phillips head screwdriver

1. Remove the base grille screws. Grasp the grille firmly and pull it toward you. Open the freezer door to access the brake feet.

NOTE: To allow the freezer to roll more easily, raise the brake feet by turning them counterclockwise. The front rollers will be touching the floor.



A. Brake foot
B. Front roller

2. Move the freezer to its final location.
3. Lower the brake feet, by turning them clockwise, until the rollers are off the floor and both brake feet are snug against the floor. This keeps the freezer from rolling forward when you are opening the freezer door.

IMPORTANT: If you need to make further adjustments involving the brake feet, you must turn both brake feet the same amount to keep the freezer level.

4. Make sure the door closes easily. If you are satisfied with the door opening and closing, skip the next section. If, however, the door does not close easily or the door pops open, adjust the tilt.

To Adjust the Cabinet Tilt:

NOTE: Having someone push against the top of the freezer takes some weight off the brake feet. This makes it easier to turn them. Open the freezer door. Use a 1/4" hex driver to turn both brake feet clockwise the same amount. This will raise the front of the freezer. It may take several turns to allow the door to close more easily.

5. Make sure the freezer is steady. If the freezer seems unsteady or rolls forward when the door is pulled open, adjust the brake feet.

To Steady the Refrigerator:

- Open the freezer door. Using a 1/4" hex driver, turn both brake feet clockwise the same amount until the brake feet are snug against the floor. Check again. If not satisfied, continue to adjust the brake feet by half turns of the screw until the freezer does not roll forward when the door is opened.

6. Replace the base grille by aligning the ends of the grille with the leveling assemblies on each side and snapping the grille into place. Reinstall the Phillips screws.

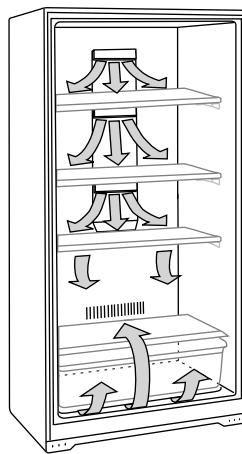
OPERATING YOUR FREEZER

Ensuring Proper Air Circulation

In order to ensure proper temperature, you need to permit proper airflow in the freezer. As shown in the illustration, cool air enters from the freezer wall and moves down. The air then recirculates through the vent near the bottom.

Do not block any of these vents with food packages. If the vents are blocked, airflow will be restricted and temperature and moisture problems may occur.

IMPORTANT: To avoid odor transfer and drying out of food, wrap or cover foods tightly.



Using the Control

The temperature control is located at the top front of the freezer compartment.

Temperature Control

For your convenience, the temperature control is preset at the factory. When you first install your freezer, check that the control is still set to the recommended setting as shown.



IMPORTANT:

- The recommended setting is designed to maintain the temperature at or near 0°F (-17.8°C) under normal operating conditions.
- Allow the freezer to cool 6 to 8 hours before filling with frozen food.
- When the freezer is first started, the compressor will run constantly until the freezer is cooled. It may take up to 6 or 8 hours (or longer), depending on room temperature and number of times the freezer door is opened. After the freezer is cooled, the compressor will turn on and off as needed to keep the freezer at the proper temperature.

- The outside of your freezer may feel warm. This is normal. The freezer's design and main function is to remove heat from packages and airspace inside the freezer. The heat is transferred to the room air, making the outside of the freezer feel warm.

Adjusting Control

If you need to adjust the temperature in the freezer compartment, press TEMP SETTING to display the desired temperature setting from the snowflake on the left (least cold) to the snowflake on the right (coldest).

NOTE: Except when starting the freezer, do not adjust the control more than one setting at a time. Wait 24 hours between adjustments for the temperature to stabilize.

Cooling On/Off

Your freezer will not cool when cooling is turned off.

To turn cooling off, press and hold TEMP SETTING for 3 seconds. In the Off condition, none of the lights on the control panel will be illuminated. The main freezer light bulb will still operate.

To turn cooling on, press and hold TEMP SETTING for 3 seconds. When cooling is On, the control panel lights will be illuminated.

Fast Freeze

Use this feature before adding large amounts of unfrozen food. For the best food quality, do not exceed 3 lbs (1,361 g) per cu. ft (28.32 L) of freezer space.

To activate Fast Freeze, press TEMP SETTING until all the snowflake positions are illuminated simultaneously.

The freezer will remain in the Fast Freeze setting for 24 hours after the extra-low temperature is reached. Once the time has expired, the freezer will return to the previous temperature setting. Fast Freeze may be manually turned off by pressing TEMP SETTING to select the desired temperature setting from the snowflake on the left (least cold) to the snowflake on the right (coldest).

Over Temperature Alert (on some models)

The Over Temperature Alert lets you know if the freezer temperature has risen to 19°F (-7°C) or higher. This alert feature will sound a continuous alert tone and repeatedly flash a red light on the control panel. The tone can be turned off by pressing TEMP SETTING on the control panel once. As you press TEMP SETTING, the red light will then also change from flashing to continuously illuminated. The red light will remain illuminated until the freezer temperature falls below 19°F (-7°C).

NOTE: If the red light on the control panel is repeatedly flashing, but the alert tone is not sounding, this means that an over-temperature condition has occurred, but the freezer temperature has since returned to below 19°F (-7°C). To turn off the red light indicator for this condition, press TEMP SETTING on the control panel once.

Door Ajar Alarm (on some models)

The Door Ajar alarm lets you know when the freezer door has been open for 5 minutes or longer and the cooling is turned on. This alarm feature will sound an alert tone that will repeat every 2 minutes. Close the door to turn off the tone. The feature is reset and will reactivate when the door is again left open for 5 minutes.

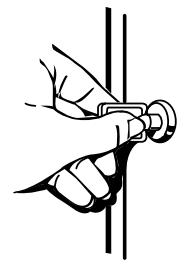
NOTE: To mute the alert tone while keeping the door open, such as while cleaning the inside of the freezer, press TEMP SETTING on the control panel. The alert tone will be temporarily turned off.

Key Eject Lock (on some models)

To lock or unlock the freezer, you must hold the key in the lock while turning. The lock is spring loaded, so the key cannot be left in the lock.

If the key is lost, contact your dealer for a replacement. Always give the model and serial number of your freezer when requesting a replacement key.

NOTE: Keep the key out of the reach of children. Do not keep the key close to the freezer/refrigerator.



Ice Maker (on some models)

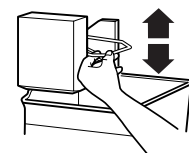
To Turn the Ice Maker On/Off

NOTE: Do not force the wire shut-off arm up or down.

- To turn the ice maker on, simply lower the wire shut-off arm.

NOTE: Your ice maker has an automatic shutoff. As ice is made, the ice cubes fill the ice storage bin and the ice cubes will raise the wire shut-off arm to the Off (arm up) position.

- To manually turn the ice maker off, lift the wire shut-off arm to the Off (arm up) position and listen for the click to make sure the ice maker will not continue to operate.



Ice Production Rate

The ice maker should produce approximately 7 to 9 batches of ice in a 24-hour period. If ice is not being made fast enough, press TEMP SETTING to display the next colder setting. Wait 24 hours and, if necessary, set the temperature control to the highest setting, waiting 24 hours between each increase.

Remember

- Allow 24 hours to produce the first batch of ice. Discard the first three batches of ice produced.
- The quality of your ice will be only as good as the quality of the water supplied to your ice maker. Avoid connecting the ice maker to a softened water supply. Water softener chemicals (such as salt) can damage parts of the ice maker and lead to poor quality ice. If a softened water supply cannot be avoided, make sure the water softener is operating properly and is well maintained.
- Do not store anything on top of the ice maker or in the ice storage bin.

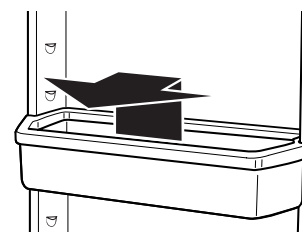
Freezer Features

This manual covers several different models. The freezer you have purchased may have some or all of the items listed. The locations of the features may not match those of your model.

Door Bin

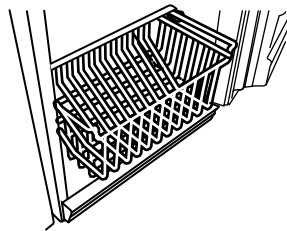
To Remove and Replace the Bin:

1. Remove the bin by tipping the front of the bin forward and sliding out.
2. Replace the bin by sliding it in above the desired support, tilting it back into place.



Storage Basket (on some models)

The slide-out basket provides separate storage space for items that are difficult to store on freezer shelves. To remove the basket, pull out and lift up.



Storage Gate (on some models)

To Remove the Storage Gate:

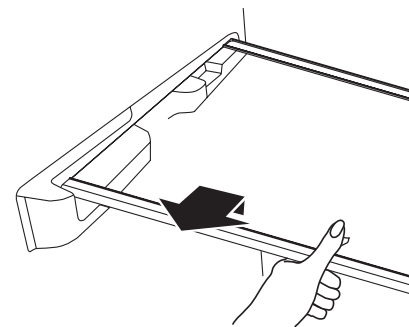
1. Lift up the top of the gate and out of the supports.
2. Return the gate to original position. Lower the gate into the supports.

Freezer Shelves

Store similar foods together and adjust the shelves to fit different heights. This reduces the time the freezer door is open and saves energy.

To Remove and Replace a Shelf:

1. Remove the shelf by lifting straight up and pulling the shelf out.
2. Replace the shelf by lowering the shelf onto the supports on the side wall.



CARING FOR YOUR FREEZER

Cleaning Your Frost-Free Freezer

⚠ WARNING



Explosion Hazard

Use nonflammable cleaner.

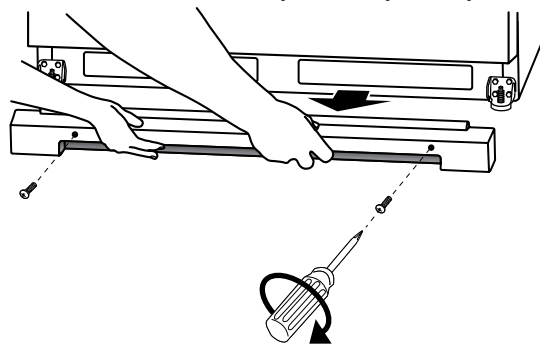
Failure to do so can result in death, explosion, or fire.

Frost-free means that you will not have to defrost your freezer. Frost is removed by air moving and collecting any moisture and depositing it on the cooling coil. The cooling coil periodically warms up enough to melt the frost, and it then flows down to the drain pan (located behind the base grille) where it is evaporated.

Complete cleaning should be done at least once a year.

1. Press and hold TEMP SETTING for 3 seconds to turn off cooling.
2. Unplug freezer or disconnect power.
3. Remove all frozen food. Wrap frozen food in several layers of newspaper and cover with a blanket. Food will stay frozen for several hours. You may also store frozen food in a cooler, additional refrigerator-freezer, or in a cool area.
4. Remove all removable parts from inside, such as shelves, bins, etc.
5. Hand wash, rinse, and dry removable parts and interior surfaces thoroughly. Use a clean sponge or soft cloth and a mild detergent in warm water.
 - Do not use abrasive or harsh cleaners such as window sprays, scouring cleansers, flammable fluids, cleaning waxes, concentrated detergents, bleaches or cleansers containing petroleum products on plastic parts, interior and door liners, or gaskets. Do not use paper towels, scouring pads, or other harsh cleaning tools. These can scratch or damage materials.
 - To help remove odors, you can wash interior walls with a mixture of warm water and baking soda (2 tbs to 1 qt [26 g to 0.95 L] of water).
6. Replace the removable parts.

7. Use the appropriate cleaning method for your exterior finish.
Painted metal: Wash exteriors with a clean sponge or soft cloth and a mild detergent in warm water. Do not use abrasive or harsh cleaners or cleaners designed for stainless steel. Dry thoroughly with a soft cloth.
8. Clean the condenser coils regularly. Coils may need to be cleaned as often as every other month. This may help save energy.
 - Open the freezer door and remove the base grille by removing 2 Phillips-head screws and pulling the grille toward you.
 - Use a vacuum with an extended attachment to clean the condenser coils when they are dusty or dirty.

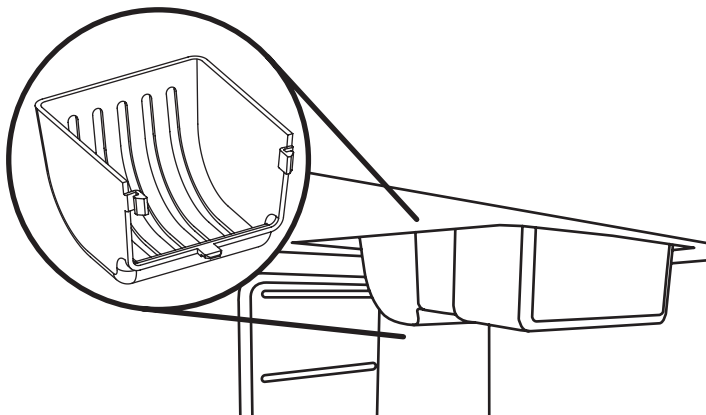


- Replace the base grille by aligning the ends of the grille with the leveling assemblies on each side and snapping the grille into place. Reinstall the screws.
9. Replace all frozen food.
 10. Plug in freezer or reconnect power.
 11. Set temperature control to desired setting. See “Using the Control.”

Changing the Light Bulb

NOTE: Not all appliance bulbs will fit your freezer. Be sure to replace the bulb with an appliance bulb of the same size, shape, and wattage.

1. Unplug freezer or disconnect power.
2. Remove the light shield by squeezing the lens from the sides, pushing back and pulling down.



3. Replace bulb with a 40-watt maximum appliance bulb or an LED rated for wet/damp locations.

NOTE: Some LED replacement light bulbs are not recommended for wet/damp environments. Refrigerator fresh food and freezer compartments are considered wet/damp environments. Read and follow all instructions on the LED packaging when replacing the factory installed LED bulb. A replacement LED bulb can be purchased from an authorized dealer.

4. Replace the light shield.
5. Plug in freezer or reconnect power.

Power Interruptions

If the power will be out for 24 hours or less, keep the door closed to help food stay cold and frozen.

If the power will be out for more than 24 hours, do one of the following:

- Remove all frozen food and store it in a frozen food locker.
- If a food locker is not available, consume or can perishable food at once.

REMEMBER: A full freezer stays cold longer than a partially filled one. A freezer full of meat stays cold longer than a freezer full of baked goods. If you see that food contains ice crystals, it may be refrozen, although the quality and flavor may be affected. If the condition of the food is poor, dispose of it.

Moving Care

When you are moving your freezer to a new home, follow these steps to prepare it for the move:

1. Remove all frozen food.
2. Unplug the freezer.
3. Take out all removable parts, wrap them well, and tape them together so they don't shift and rattle during the move.
4. Clean the freezer thoroughly.
5. Tape the freezer shut and tape the electrical cord to the cabinet.

When you get to your new home, refer to the "Installing Your Freezer" and "Operating Your Freezer" sections for information on installation and setting the controls.

TROUBLESHOOTING

First try the solutions suggested here. If you need further assistance or more recommendations that may help you avoid a service call, refer to the warranty page in this manual and scan the code there with your mobile device, or visit www.whirlpool.com/product_help for recommendations that may help you avoid a service call. In Canada, visit <http://www.whirlpool.ca>.

Contact us by mail with any questions or concerns at the address below:

In the U.S.A.:

Whirlpool Brand Home Appliances
Customer eXperience Center
553 Benson Road
Benton Harbor, MI 49022-2692

In Canada:

Whirlpool Brand Home Appliances
Customer eXperience Centre
200 – 6750 Century Ave.
Mississauga ON L5N 0B7

Please include a daytime phone number in your correspondence.

Freezer Operation

⚠ WARNING



Electrical Shock Hazard

Plug into a grounded 3 prong outlet.

Do not remove ground prong.

Do not use an adapter.

Do not use an extension cord.

Failure to follow these instructions can result in death, fire, or electrical shock.

⚠ WARNING



Explosion Hazard

Use nonflammable cleaner.

Failure to do so can result in death, explosion, or fire.

PROBLEM	RECOMMENDED SOLUTIONS
Freezer Will Not Operate	Check that the freezer is not running an Automatic Defrost cycle. Check that it is plugged into a grounded 3 prong outlet. Check that the temperature control is turned on. Replace the fuse or reset the circuit breaker. NOTE: If problems continue, contact an electrician.
Lights Do Not Work	Check that it is plugged into a grounded 3 prong outlet. Check that the light bulb is tight in the socket and is not burned out.
Water in Defrost Drain Pan	It is normal for water to drip into the defrost drain pan when freezer is defrosting. When humidity is high, it is normal for water in the defrost pan to take longer to evaporate.
Motor Seems to Run Too Much	Check that door closes properly. Defrost and clean the freezer to remove excessive frost. Adding a large amount of food warms the freezer causing the freezer to run longer to cool back down. If this is the situation, wait approximately 6 to 8 hours to allow the freezer to reach the correct temperature. Remove all items out at one time, keep food organized, and close door as soon as possible. Check that the door gasket is sealed all the way around. If not, contact a qualified person or technician. Check that space around freezer meets air circulation requirements. See "Location Requirements." NOTE: If none of the above, your new freezer will run longer than your old one due to its high-efficiency motor.
Temperature Is Too Warm	Check that air vents are clear. See "Ensuring Proper Air Circulation" for air vent locations. Remove all items out at one time, keep food organized, and close door as soon as possible. Adding a large amount of food warms the freezer causing the freezer to run longer to cool back down. Check that the temperature control is set correctly for surrounding conditions.
The Door Will Not Close Completely or Is Difficult To Open	Check that there are no food packages blocking the door. On some models, check that the shelves and basket are in the correct position. Check that gaskets are clean. See the "Caring for Your Freezer" section. Check that the freezer is stable. See "Freezer Leveling and Door Closing."
Freezer Makes Loud Buzzing/Clicking Sound	If the freezer has recently been plugged in or turned on following a defrost or product move, or if there has been an extended power failure, turn off the temperature alarm for the next 24 hours. Adding a large amount of food warms the freezer. It can take several hours for the freezer to return to normal temperature. Turn the temperature alarm off for the next 24 hours.

Ice Production

⚠ WARNING

<p>Electrical Shock Hazard</p> <p>Disconnect power before servicing.</p> <p>Replace all parts and panels before operating.</p> <p>Failure to do so can result in death or electrical shock.</p>

PROBLEM	RECOMMENDED SOLUTIONS
Ice Maker Produces No Ice or Very Little Ice	<p>If ice maker has just been installed, wait 72 hours for full ice production to begin.</p> <p>Check that the temperature control is cold enough.</p> <p>Check that the wire shut-off arm is in the On (arm down) position.</p> <p>Check that the water supply is properly connected and turned on.</p> <p>Check that the ejector arm is not blocked by an ice cube.</p> <p>If a large amount of ice has been removed recently, allow 24 hours to produce more ice.</p> <p>NOTE: If not due to any of the above, there may be a problem with the water line. Call for service.</p>

Ice Quality

PROBLEM	RECOMMENDED SOLUTIONS
Off Taste, Odor, or Gray Color in the Ice	<p>Discard the first few batches of ice.</p> <p>If there is unusually high mineral content in the water supply, the water may need to be treated.</p> <p>If there is mineral scale buildup, clean your ice maker mold.</p> <p>If the ice cubes have been stored too long, throw the old ice away and make a new supply.</p> <p>Check that the freezer and ice bin are clean.</p>
Thin, Soft, or Clumps of Ice	<p>If there is unusually high mineral content in the water supply, the water may need to be treated.</p> <p>If there is mineral scale buildup, clean your ice maker.</p> <p>If there are clumps of ice in the bin and if ice is not used regularly, it will melt and form clumps.</p> <p>Break the clumps with the ice scoop provided.</p>

WHIRLPOOL® MAJOR APPLIANCE LIMITED WARRANTY

ATTACH YOUR RECEIPT HERE. PROOF OF PURCHASE IS REQUIRED TO OBTAIN WARRANTY SERVICE.

Please have the following information available when you call the Customer eXperience Center:

- Name, address and telephone number
- Model number and serial number
- A clear, detailed description of the problem
- Proof of purchase including dealer or retailer name and address

IF YOU NEED SERVICE:

1. Before contacting us to arrange service, please determine whether your product requires repair. Some questions can be addressed without service. Please take a few minutes to review the Troubleshooting or Problem Solver section of the Use and Care Guide, scan the QR code on the right to access additional resources, or visit www.whirlpool.com/product_help.
2. All warranty service is provided exclusively by our authorized Whirlpool Service Providers. In the U.S. and Canada, direct all requests for warranty service to:



www.whirlpool.com/product_help

Whirlpool Customer eXperience Center

In the U.S.A., call 1-800-253-1301. In Canada, call 1-800-807-6777.

If outside the 50 United States or Canada, contact your authorized Whirlpool dealer to determine whether another warranty applies.

ONE YEAR LIMITED WARRANTY

WHAT IS COVERED

For one year from the date of purchase, when this major appliance is installed, operated and maintained according to instructions attached to or furnished with the product, Whirlpool Corporation or Whirlpool Canada LP (hereafter "Whirlpool") will pay for Factory Specified Replacement Parts and repair labor to correct defects in materials or workmanship that existed when this major appliance was purchased, or at its sole discretion replace the product. In the event of product replacement, your appliance will be warranted for the remaining term of the original unit's warranty period.

YOUR SOLE AND EXCLUSIVE REMEDY UNDER THIS LIMITED WARRANTY SHALL BE PRODUCT REPAIR AS PROVIDED HEREIN. Service must be provided by a Whirlpool designated service company. This limited warranty is valid only in the United States or Canada and applies only when the major appliance is used in the country in which it was purchased. This limited warranty is effective from the date of original consumer purchase. Proof of original purchase date is required to obtain service under this limited warranty.

WHAT IS NOT COVERED

1. Commercial, non-residential, multiple-family use, or use inconsistent with published user, operator or installation instructions.
2. In-home instruction on how to use your product.
3. Service to correct improper product maintenance or installation, installation not in accordance with electrical or plumbing codes or correction of household electrical or plumbing (i.e. house wiring, fuses or water inlet hoses).
4. Consumable parts (i.e. light bulbs, batteries, air or water filters, preservation solutions, etc.).
5. Defects or damage caused by the use of non-genuine Whirlpool parts or accessories.
6. Conversion of products from natural gas or L.P. gas.
7. Damage from accident, misuse, abuse, fire, floods, acts of God or use with products not approved by Whirlpool.
8. Repairs to parts or systems to correct product damage or defects caused by unauthorized service, alteration or modification of the appliance.
9. Cosmetic damage including scratches, dents, chips, and other damage to the appliance finishes unless such damage results from defects in materials and workmanship and is reported to Whirlpool within 30 days.
10. Discoloration, rust or oxidation of surfaces resulting from caustic or corrosive environments including but not limited to high salt concentrations, high moisture or humidity or exposure to chemicals.
11. Food or medicine loss due to product failure.
12. Pick-up or delivery. This product is intended for in-home repair.
13. Travel or transportation expenses for service in remote locations where an authorized Whirlpool servicer is not available.
14. Removal or reinstallation of inaccessible appliances or built-in fixtures (i.e. trim, decorative panels, flooring, cabinetry, islands, countertops, drywall, etc.) that interfere with servicing, removal or replacement of the product.
15. Service or parts for appliances with original model/serial numbers removed, altered or not easily determined.

The cost of repair or replacement under these excluded circumstances shall be borne by the customer.

DISCLAIMER OF IMPLIED WARRANTIES

IMPLIED WARRANTIES, INCLUDING ANY IMPLIED WARRANTY OF MERCHANTABILITY OR IMPLIED WARRANTY OF FITNESS FOR A PARTICULAR PURPOSE, ARE LIMITED TO ONE YEAR OR THE SHORTEST PERIOD ALLOWED BY LAW. Some states and provinces do not allow limitations on the duration of implied warranties of merchantability or fitness, so this limitation may not apply to you. This warranty gives you specific legal rights, and you also may have other rights that vary from state to state or province to province.

DISCLAIMER OF REPRESENTATIONS OUTSIDE OF WARRANTY

Whirlpool makes no representations about the quality, durability, or need for service or repair of this major appliance other than the representations contained in this warranty. If you want a longer or more comprehensive warranty than the limited warranty that comes with this major appliance, you should ask Whirlpool or your retailer about buying an extended warranty.

LIMITATION OF REMEDIES; EXCLUSION OF INCIDENTAL AND CONSEQUENTIAL DAMAGES

YOUR SOLE AND EXCLUSIVE REMEDY UNDER THIS LIMITED WARRANTY SHALL BE PRODUCT REPAIR AS PROVIDED HEREIN. WHIRLPOOL SHALL NOT BE LIABLE FOR INCIDENTAL OR CONSEQUENTIAL DAMAGES. Some states and provinces do not allow the exclusion or limitation of incidental or consequential damages, so these limitations and exclusions may not apply to you. This warranty gives you specific legal rights, and you also may have other rights that vary from state to state or province to province.



Guide d'utilisation

Congélateur vertical

Nous vous REMERCIONS d'avoir acheté ce produit de haute qualité. Enregistrer le congélateur sur www.whirlpool.com. Au Canada, enregistrer le congélateur sur www.whirlpool.ca.

Pour référence ultérieure, consignez par écrit les numéros de modèle et de série de votre produit. Vous trouverez les numéros de modèle et de série à l'intérieur du congélateur.

Numéro de modèle _____

Numéro de série _____

TABLE DES MATIÈRES

SÉCURITÉ	14	Utilisation de la commande	21
INSTALLATION DU CONGÉLATEUR	16	Serrure à éjection de clé (sur certains modèles)	22
Déballage	16	Machine à glaçons (sur certains modèles)	22
Exigences d'emplacement.....	16	Caractéristiques du congélateur.....	23
Spécifications électriques.....	17	ENTRETIEN DU CONGÉLATEUR	23
Spécifications de l'alimentation en eau (sur certains modèles).....	17	Nettoyage du congélateur sans givre.....	23
Raccordement de la canalisation d'alimentation en eau (sur certains modèles).....	17	Remplacement de l'ampoule d'éclairage	24
Retrait et réinstallation de la poignée	18	Pannes de courant électrique	24
Porte du congélateur.....	18	Déménagement.....	24
Nivellement du congélateur et fermeture de la porte	20	DÉPANNAGE	25
UTILISATION DU CONGÉLATEUR	21	Fonctionnement du congélateur.....	25
Pour s'assurer d'une circulation d'air appropriée	21	Production de glaçons.....	27
		Qualité des glaçons.....	27
		GARANTIE	28

SÉCURITÉ

Votre sécurité et celle des autres est très importante.

Nous donnons de nombreux messages de sécurité importants dans ce manuel et sur votre appareil ménager. Assurez-vous de toujours lire tous les messages de sécurité et de vous y conformer.



Voici le symbole d'alerte de sécurité.

Ce symbole d'alerte de sécurité vous signale les dangers potentiels de décès et de blessures graves à vous et à d'autres.

Tous les messages de sécurité suivront le symbole d'alerte de sécurité et le mot "DANGER" ou "AVERTISSEMENT". Ces mots signifient :

⚠ DANGER

Risque possible de décès ou de blessure grave si vous ne suivez pas immédiatement les instructions.

⚠ AVERTISSEMENT

Risque possible de décès ou de blessure grave si vous ne suivez pas les instructions.

Tous les messages de sécurité vous diront quel est le danger potentiel et vous disent comment réduire le risque de blessure et ce qui peut se produire en cas de non-respect des instructions.

IMPORTANTES INSTRUCTIONS DE SÉCURITÉ

AVERTISSEMENT : Pour réduire les risques d'incendie, de choc électrique ou des blessures lors de l'utilisation du réfrigérateur, prendre quelques précautions fondamentales, y compris les suivantes :

- Brancher l'appareil sur une prise à 3 alvéoles reliée à la terre.
- Ne pas enlever la broche de liaison à la terre.
- Ne pas utiliser un adaptateur.
- Ne pas utiliser un câble de rallonge.
- Débrancher la source de courant électrique avant l'entretien.
- Remplacer pièces et panneaux avant de faire la remise en marche.
- Enlever les portes de votre vieux réfrigérateur.
- Raccorder à la canalisation d'arrivée d'eau potable uniquement.
- Utiliser un produit de nettoyage ininflammable.
- Garder les matériaux et les vapeurs inflammables, telle que l'essence, loin du réfrigérateur.
- Utiliser deux ou plus de personnes pour déplacer et installer le réfrigérateur.
- Débrancher le réfrigérateur avant l'installation de la machine à glaçons (seulement pour modèles prêts à recevoir une machine à glaçons).
- Utiliser un verre robuste pour prendre des glaçons (sur certains modèles).
- Ne pas heurter les portes en verre du réfrigérateur (sur certains modèles).
- Cet appareil ne convient pas à une utilisation par des personnes (y compris des enfants) à capacités physiques, sensorielles ou mentales réduites, ou possédant un manque d'expérience et de connaissances, à moins qu'elles ne soient placées sous supervision ou qu'elles aient reçu des instructions concernant l'utilisation de l'appareil par une personne responsable de leur sécurité.
- Les enfants doivent être placés sous surveillance afin de s'assurer qu'ils ne jouent pas avec l'appareil.

CONSERVEZ CES INSTRUCTIONS

Avertissements de la proposition 65 de l'État de Californie :

AVERTISSEMENT : Ce produit contient au moins un produit chimique connu par l'État de Californie pour être à l'origine de cancers.

AVERTISSEMENT : Ce produit contient au moins un produit chimique connu par l'État de Californie pour être à l'origine de malformations et autres déficiences de naissance.

MISE AU REBUT APPROPRIÉE DE VOTRE VIEUX CONGÉLATEUR OU RÉFRIGÉRATEUR

AVERTISSEMENT

Risque de suffoquer

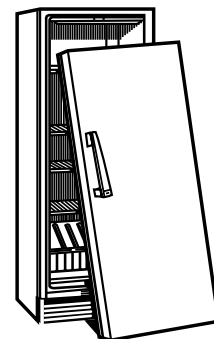
Enlever les portes ou le couvercle de votre vieux congélateur ou réfrigérateur.

Le non-respect de cette instruction peut causer un décès ou des lésions cérébrales.

IMPORTANT : Encore de nos jours, des enfants peuvent restés pris ou s'étouffer à l'intérieur d'un appareil comme celui-ci. Les congélateurs ou réfrigérateurs jetés ou abandonnés présentent des dangers, même s'ils sont abandonnés pendant "quelques jours" seulement. Si vous vous débarrassez de votre vieux réfrigérateur ou congélateur, veuillez suivre les instructions suivantes pour aider à éviter les accidents.

Avant de mettre au rebut votre vieux congélateur ou réfrigérateur :

- Enlever les portes ou le couvercle.
- Laisser les tablettes en place, de sorte que les enfants ne puissent pas facilement se glisser à l'intérieur.



Renseignements importants à propos de la mise au rebut des fluides réfrigérants :

Mettre le congélateur au rebut conformément à la réglementation fédérale et locale. Les fluides réfrigérants doivent être évacués par un technicien certifié et agréé par l'EPA conformément aux procédures établies.

INSTALLATION DU CONGÉLATEUR

Déballage

⚠ AVERTISSEMENT

Risque du poids excessif

Utiliser deux ou plus de personnes pour déplacer et installer le congélateur.

Le non-respect de cette instruction peut causer une blessure au dos ou d'autre blessure.

Enlèvement des matériaux d'emballage

- Enlever le ruban adhésif et la colle des surfaces du congélateur avant de le mettre en marche. Frotter une petite quantité de savon liquide pour la vaisselle sur l'adhésif avec les doigts. Rincer à l'eau tiède et essuyer.
- Ne pas utiliser d'instruments coupants, d'alcool à friction, de liquides inflammables ou de nettoyants abrasifs pour enlever le ruban adhésif ou la colle. Ces produits peuvent endommager la surface de votre congélateur. Pour plus de renseignements, voir "Sécurité".

Déplacement de votre congélateur :

Votre congélateur est lourd. Lors du déplacement de votre congélateur pour le nettoyage ou un entretien, veiller à recouvrir le plancher avec du carton ou un panneau de fibre dur pour éviter qu'il ne subisse tout dommage. Toujours tirer le congélateur tout droit lors du déplacement. Ne pas incliner le congélateur d'un côté ou de l'autre ni le "faire marcher" en essayant de le déplacer car le plancher pourrait être endommagé.

Nettoyage avant l'utilisation

Après avoir enlevé tous les matériaux d'emballage, nettoyer l'intérieur du congélateur avant l'utilisation. Voir les instructions de nettoyage à la section "Entretien du congélateur".

Importants renseignements à savoir au sujet des tablettes et des couvercles en verre :

Ne pas nettoyer les tablettes ou couvercles en verre avec de l'eau tiède quand ils sont froids. Les tablettes et les couvercles peuvent se briser s'ils sont exposés à des changements soudains de température ou à un impact tel que coup brusque. Le verre trempé est conçu pour éclater en d'innombrables pièces minuscules. Ceci est normal. Les tablettes et les couvercles en verre sont lourds. Les saisir à deux mains lors de leur dépose afin d'éviter de les faire tomber.

Exigences d'emplacement

⚠ AVERTISSEMENT



Risque d'explosion

Garder les matériaux et les vapeurs inflammables, telle que l'essence, loin du congélateur.

Le non-respect de cette instruction peut causer un décès, une explosion ou un incendie.

Ventilation et dégagement

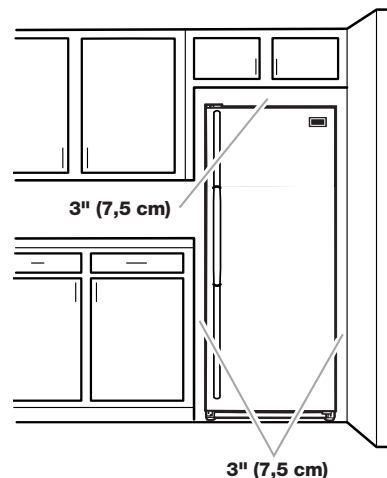
- Garder les matériaux et les vapeurs inflammables, tel que l'essence, loin du congélateur.
- Ne pas couvrir le congélateur avec des articles tels que couvertures, draps, nappes de table, etc. Ceci réduit la circulation d'air.
- Laisser un espace d'au moins 3" (7,5 cm) des deux côtés du congélateur et de 1" (2,5 cm) entre l'arrière du congélateur et le mur. Si le congélateur est installé contre un mur, laisser un espace supplémentaire du côté des charnières pour une plus grande ouverture de la porte.

Température

Le congélateur fonctionne à son efficacité maximale lorsqu'il se trouve dans un endroit où la température ne descend pas en dessous de 40 °F (5 °C). Installer le congélateur dans un endroit où la température ne descend pas en dessous de cette température recommandée.

Lors du déplacement à son emplacement final

REMARQUE : Laisser un dégagement de 3" (7,5 cm) sur le dessus et les côtés et un dégagement de ¼" (6,4 mm) entre les appareils.



Spécifications électriques

⚠ AVERTISSEMENT



Risque de choc électrique

Brancher sur une prise à 3 alvéoles reliée à la terre.

Ne pas enlever la broche de liaison à la terre.

Ne pas utiliser un adaptateur.

Ne pas utiliser un câble de rallonge.

Le non-respect de ces instructions peut causer un décès, un incendie ou un choc électrique.

Avant de déplacer le congélateur à son emplacement final, il est important de vous assurer d'avoir le raccordement électrique approprié.

Méthode recommandée de mise à la terre

Une source de courant électrique de 115 V, 60 Hz, CA seulement, et protégée par un fusible de 15 ou 20 ampères, adéquatement mise à la terre est nécessaire. Il est recommandé d'utiliser un circuit distinct pour alimenter uniquement le congélateur. Utiliser une prise de courant murale qui ne peut pas être mise hors circuit à l'aide d'un commutateur. Ne pas employer un câble de rallonge.

REMARQUE : Avant de procéder à tout type d'installation, de nettoyage ou de changement d'une ampoule, appuyer sans relâcher sur TEMP SETTING (réglage de la température) pendant 3 secondes pour désactiver le refroidissement, puis déconnecter le congélateur de la source de courant électrique.

Over Temp Reset



Cooling On/Off
Hold 3 Sec

Spécifications de l'alimentation en eau (sur certains modèles)

Rassembler les outils et pièces nécessaires avant de commencer l'installation. Lire et suivre les instructions fournies avec les outils indiqués ici.

Outils requis

- Un Tournevis à lame plate
- Tourne-écrou de 1/4"
- Clés plates de 7/16" et 1/2" ou deux clés à molette réglables
- Foret de 1/4"
- Perceuse sans fil

REMARQUE : Votre marchand de congélateurs propose une trousse disponible avec un robinet d'arrêt à étrier de 1/4" (6,35 mm), un raccord et un tube en plastique. Avant l'achat, s'assurer que le robinet d'arrêt à étrier est conforme à vos codes locaux de plomberie. Ne pas employer de robinet d'arrêt à étrier de 3/16" (4,76 mm) ou de type à percer, ce qui réduit le débit d'eau et cause une obstruction plus facilement.

IMPORTANT :

- Si on doit utiliser le congélateur avant qu'il soit raccordé à la canalisation d'eau, placer la commande de la machine à glaçons à la position d'ARRÊT.
- Toutes les installations doivent être conformes aux exigences des codes locaux de plomberie.
- Utiliser un tube en plastique et vérifier l'absence de fuites. Installer les tubes en plastique seulement à des endroits où la température se maintient au-dessus du point de congélation.

Pression de l'eau

Une alimentation en eau froide avec une pression entre 30 et 120 lb/po² (207 et 827 kPa) est nécessaire pour faire fonctionner le distributeur d'eau et la machine à glaçons. Si vous avez des questions au sujet de la pression de votre eau, consulter la section "Résolution de problèmes" ou faire appel à un plombier qualifié agréé.

Alimentation en eau par osmose inverse

Si un système de purification de l'eau par osmose inverse est raccordé à votre alimentation en eau froide, la pression de l'eau au système doit être d'un minimum de 40 à 60 lb/po² (276 à 414 kPa).

Si la pression de l'eau au système d'osmose inverse est inférieure à 40 à 60 lb/po² (276 à 414 kPa), une pompe de surpression peut être insérée dans le petit tube qui va de la canalisation d'eau froide au système d'osmose inverse.

Si le distributeur d'eau ne distribue toujours pas l'eau correctement :

- Vérifier pour voir si le filtre à sédiments dans le système d'osmose inverse est bloqué et le remplacer si nécessaire.
- Laisser le réservoir du système d'osmose inverse se remplir après une utilisation intense.
- Si votre réfrigérateur comporte un filtre à eau, celui-ci peut réduire encore plus la pression de l'eau lorsqu'il est utilisé avec un système d'osmose inverse. Retirer le filtre à eau.

Si vous avez des questions au sujet de la pression de votre eau, consulter la section "Résolution de problèmes" ou appeler un plombier qualifié agréé.

Raccordement de la canalisation d'alimentation en eau (sur certains modèles)

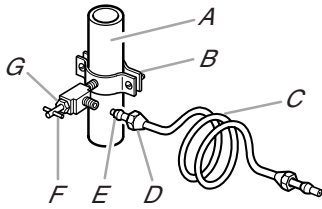
Raccordement à une canalisation d'eau

1. Débrancher le congélateur ou déconnecter la source de courant électrique.
2. FERMER le robinet principal d'arrivée d'eau. OUVRIR le robinet de puisage le plus proche pendant une période suffisante pour que la canalisation d'eau se vide.
3. Trouver une canalisation d'eau froide verticale de 1/2" à 1/4" (12,7 mm à 3,18 cm) près du congélateur.

IMPORTANT :

- Assurez-vous qu'il s'agit d'un conduit d'eau froide.
 - Un conduit horizontal fonctionnera, mais percer par le dessus de la canalisation et non pas par le dessous. Ainsi, l'eau ne risquera pas d'arroser la perceuse. Ceci empêche également les sédiments qu'on trouve normalement dans l'eau de s'accumuler dans le robinet.
4. Pour déterminer la longueur du tube en plastique, il faut mesurer la distance entre le point de connexion inférieur gauche à l'arrière du congélateur et la canalisation d'eau. Ajouter une longueur de 7 pi (2,1 m) pour permettre le nettoyage. Utiliser un tube en plastique de 1/4" (6,35 mm) de diamètre extérieur. Veiller à ce que le tube soit coupé d'équerre aux deux extrémités.

5. À l'aide d'une perceuse sans fil, percer un trou de ¼" (6,35 mm) dans le tuyau de canalisation d'eau froide choisi.

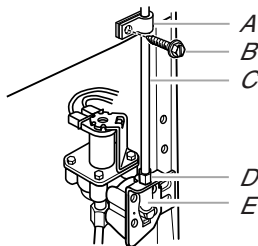


- A. Canalisation d'eau froide
B. Bride de tuyau
C. Tube en plastique
D. Écrou de compression
E. Bague de compression
F. Robinet d'arrêt
G. Écrou de serrage

6. Fixer le robinet d'arrêt sur la canalisation d'eau froide avec la bride de tuyau. Vérifier que l'extrémité du raccord de sortie du robinet est bien engagée dans le trou de ¼" (6,35 mm) percé dans la canalisation et que la rondelle d'étanchéité est placée sous la bride de tuyau. Serrer l'écrou de serrage. Serrer lentement et uniformément les vis fixant la bride de tuyau sur la tuyauterie afin que la rondelle forme une jonction étanche. Ne pas serrer excessivement, car ceci pourrait provoquer l'écrasement du tube en plastique.
7. Enfiler l'écrou et la bague de compression du raccord sur le tube en plastique comme on le voit sur l'illustration. Insérer l'extrémité du tube directement et aussi loin que possible dans l'ouverture de sortie du robinet. Visser l'écrou de compression sur l'extrémité du raccord de sortie avec une clé à molette. Ne pas serrer excessivement.
8. Placer le bout libre du tube dans un contenant ou évier et ouvrir le robinet principal d'arrivée d'eau; laisser l'eau s'écouler par le tube jusqu'à ce que l'eau soit limpide. Fermer le robinet de la canalisation d'eau. Enrouler le tube en plastique.

Raccordement au congélateur

- Fixer le tube en plastique à l'entrée du robinet d'eau en utilisant un écrou et une bague de compression tel qu'illustré. Serrer l'écrou de compression. Ne pas serrer excessivement.
- Utiliser la bride du tube à l'arrière du congélateur pour fixer le tube au congélateur tel qu'illustré. Ceci aidera à empêcher les dommages au tube lorsque le congélateur est poussé contre le mur.
- Ouvrir le robinet d'arrêt.
- Vérifier l'absence de fuites. Serrer tous les raccords (y compris les raccords du robinet d'arrivée d'eau) ou les écrous qui coulent.



- A. Bride du tube
B. Vis de bride du tube
C. Tube en plastique
D. Écrou de compression
E. Entrée du robinet

5. La machine à glaçons est équipée d'un filtre à eau incorporé. Si la qualité de l'eau distribuée localement nécessite un deuxième filtre à eau, l'installer dans la canalisation d'eau de ¼" (6,35 mm), à l'un ou l'autre des points de raccordement. On peut obtenir un tel filtre à eau chez le marchand d'appareils électroménagers le plus proche.

⚠ AVERTISSEMENT



Risque de choc électrique

- Brancher sur une prise à 3 alvéoles reliée à la terre.
- Ne pas enlever la broche de liaison à la terre.
- Ne pas utiliser un adaptateur.
- Ne pas utiliser un câble de rallonge.
- Le non-respect de ces instructions peut causer un décès, un incendie ou un choc électrique.

6. Brancher sur une prise à 3 alvéoles reliée à la terre.

Retrait et réinstallation de la poignée

Retrait de la poignée :

- Desserrer les vis de blocage situées sur le côté de la poignée à chaque extrémité. Voir l'illustration "Inversion du sens d'ouverture de la porte et retrait de la poignée".
- Retirer la poignée des oeillets.

Réinstallation de la poignée :

- Placer la poignée sur les oeillets en s'assurant que les oeillets sont bien installés dans les trous de la poignée.
- Serrer les vis de blocage supérieures et inférieures à l'aide de la clé à tête hexagonale fournie. Voir l'illustration "Inversion du sens d'ouverture de la porte et retrait de la poignée". Ne pas serrer excessivement les vis de blocage.

Porte du congélateur

Outils nécessaires : clé à douille à tête hexagonale de 5/16", clé à douille à tête hexagonale de 3/8", couteau à mastic de 2".

IMPORTANT :

- Toutes les illustrations mentionnées dans les instructions suivantes sont incluses plus loin dans cette section après "Étapes finales". Les illustrations correspondent à une porte s'ouvrant à droite (charnières installées à droite à l'usine).
- Si vous désirez seulement enlever et réinstaller la porte, voir les sections "Démontage - Porte et charnières" et "Réinstallation - Porte et charnières".
- Avant de commencer, tourner la commande à OFF (arrêt) et retirer les aliments et tout balconnet réglable ou compartiment utilitaire de la porte.

Démontage - Porte et charnières



Vis de charnière à tête hexagonale

- Débrancher le congélateur ou déconnecter la source de courant électrique.
- Laisser la porte du congélateur fermée jusqu'à ce que vous soyez prêt à la soulever pour la dégager de la caisse.
REMARQUE : Prévoir un support additionnel de la porte pendant le déplacement des charnières. La force d'attraction des aimants de porte ne suffit pas à la maintenir en place.

3. Enlever les pièces de la charnière supérieure - voir l'illustration de la charnière supérieure dans la section "Inversion du sens de la porte et retrait de la poignée".
4. Soulever la porte du congélateur pour la séparer de la charnière inférieure et de la caisse et la conserver à part.
5. Retirer les 4 vis de charnière à tête hexagonale et la charnière inférieure. Voir l'illustration de la charnière inférieure dans la section "Inversion du sens de la porte et retrait de la poignée".

Inversion du sens d'ouverture de la porte (facultatif - sur certains modèles)

IMPORTANT : Si vous souhaitez inverser le sens d'ouverture de la porte, suivre les instructions de cette section. S'il n'est pas nécessaire de changer l'orientation de la porte, voir "Réinstallation - Porte et charnières".

Caisse

1. Enlever les bouchons d'obturation des trous de charnière au sommet de la caisse; transférer ceux-ci dans les trous de charnière du côté opposé (voir l'illustration 2 à la page suivante).
2. Retirer l'axe de charnière inférieure de la bride de charnière.
3. Retirer les oeilletons recouvrant les trous du côté opposé de la charnière inférieure.
4. Réinstaller l'axe de charnière dans l'autre trou de la bride de charnière. Voir l'illustration 3 à la page suivante.
5. Réinstaller la bride de charnière sur la caisse à l'aide des 4 vis de charnière à tête hexagonale.

Porte

1. Enlever le bouchon d'obturation de la partie supérieure de charnière au sommet de la porte.
2. Retirer la butée de porte du bas de la porte.
3. Placer la butée de porte du côté opposé en s'assurant que le trou de la plaque de butée de porte est parfaitement aligné avec le trou de la porte destiné à l'axe de charnière inférieure.
4. À l'aide des vis retirées à l'étape 2, fixer le support de butée de porte au bas de la porte.
5. Serrer toutes les vis. Conserver la porte du congélateur à part jusqu'à la mise en place de la charnière inférieure.

Réinstallation – Porte et charnières

REMARQUE : Si on inverse le sens d'ouverture de la porte, considérer l'image symétrique.

1. Assembler les pièces de la charnière inférieure (tel qu'indiqué) et serrer les vis. Voir l'illustration de la charnière inférieure. Réinstaller la porte du congélateur.

REMARQUE : Prévoir un support additionnel de la porte pendant le déplacement des charnières. La force d'attraction des aimants de porte ne suffit pas à la maintenir en place.

2. Assembler les pièces de la charnière supérieure (voir l'illustration de la charnière supérieure dans la section "Inversion du sens de la porte et retrait de la poignée".) Ne pas complètement serrer les vis.

Étapes finales

1. Inspecter tous les trous. Vérifier que tous les bouchons d'obturation et vis sont en place. Réinstaller le couvercle de la charnière supérieure. Voir l'illustration de la charnière supérieure.
2. À l'aide des oeilletons fournis, recouvrir les trous restants situés sur le côté opposé de la charnière inférieure.

⚠ AVERTISSEMENT



Risque de choc électrique

Brancher sur une prise à 3 alvéoles reliée à la terre.

Ne pas enlever la broche de liaison à la terre.

Ne pas utiliser un adaptateur.

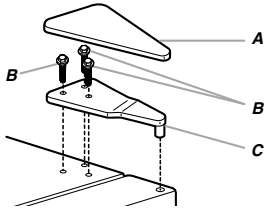
Ne pas utiliser un câble de rallonge.

Le non-respect de ces instructions peut causer un décès, un incendie ou un choc électrique.

3. Brancher sur une prise de courant à 3 alvéoles, reliée à la terre.
4. Réinitialiser la commande. Voir la section "Utilisation de la commande".
5. Réinstaller toutes les pièces amovibles de la porte et remettre les aliments dans le congélateur.

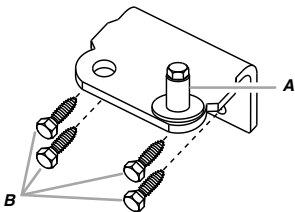
Dépose et réinstallation de la porte

Charnière supérieure



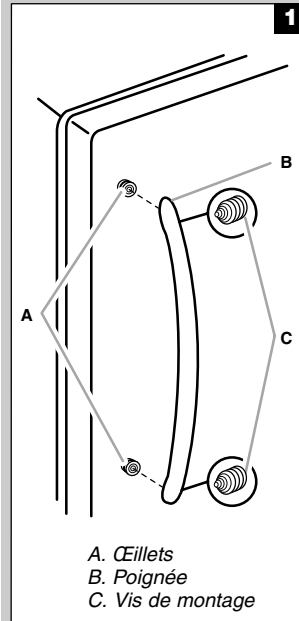
- A. Couverture de charnière supérieure
 B. Vis de charnière à tête hexagonale de $\frac{5}{16}$ "
 C. Charnière supérieure

Charnière inférieure

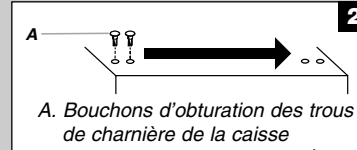


- A. Vis de butée de porte
 B. Vis de charnière à tête hexagonale de $\frac{3}{8}$ "

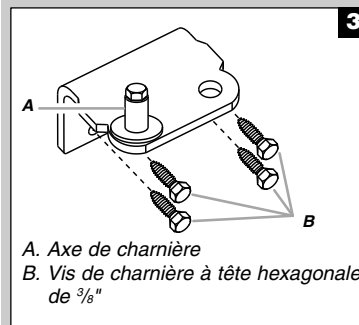
Inversion du sens d'ouverture de la porte et retrait de la poignée (facultatif)



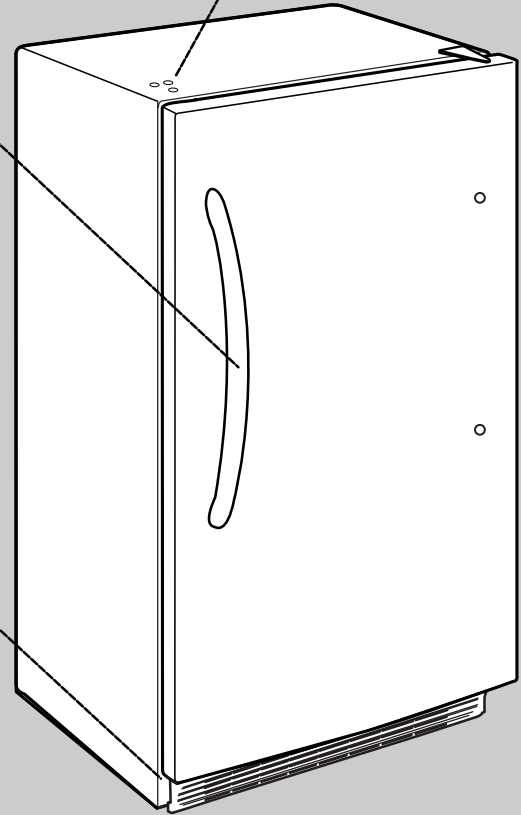
- A. Œillets
 B. Poignée
 C. Vis de montage



- A. Bouchons d'obturation des trous de charnière de la caisse



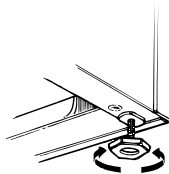
- A. Axe de charnière
 B. Vis de charnière à tête hexagonale de $\frac{3}{8}$ "



Nivellement du congélateur et fermeture de la porte

Style 1—sans grille

- Repérer les deux pieds de nivellement avant fixés parmi les matériaux d'emballage.
- Visser ces pieds dans les trous avant situés au bas du congélateur. L'arrière du congélateur repose sur 2 supports fixes.
- Ajuster suffisamment les pieds avant pour séparer la caisse du sol.
- Placer un niveau au sommet de la caisse du congélateur, transversalement puis dans le sens avant-arrière. Pour soulever un coin, faire tourner le pied dans le sens antihoraire. Pour abaisser un coin, faire tourner le pied dans le sens horaire.
- Répéter l'étape 4 jusqu'à ce que le congélateur soit d'aplomb.
- Une fois le congélateur complètement rempli d'aliments, vérifier de nouveau l'aplomb comme expliqué à l'étape 4.



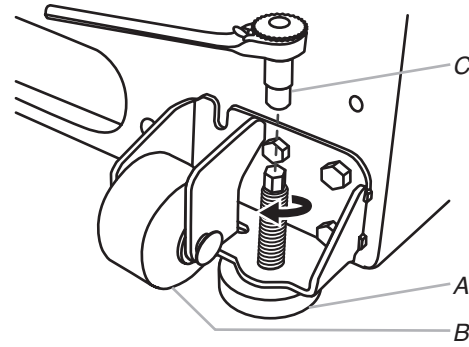
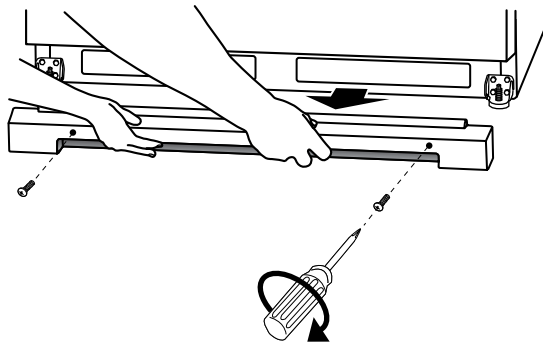
Style 2—avec grille

Le congélateur est équipé de 2 pieds avant réglables, un de chaque côté. L'arrière du congélateur repose sur 2 roulettes fixes. La grille de la base recouvre les pieds de stabilisation réglables et les roulettes situées au bas du congélateur sous la porte du congélateur. Avant de réaliser les ajustements, retirer la grille de la base et déplacer le congélateur à son emplacement définitif.

Outils nécessaires : tourne-écrou de $\frac{1}{4}$ ", tournevis Phillips

- Retirer les vis de la grille de la base. Saisir la grille fermement et la tirer vers soi. Ouvrir la porte du congélateur pour accéder aux pieds de stabilisation.

REMARQUE : Pour permettre au congélateur de rouler plus facilement, soulever les pieds de stabilisation en les tournant dans le sens antihoraire. Les roulettes avant toucheront le plancher.



2. Déplacer le congélateur jusqu'à son emplacement final.
3. Abaisser les pieds de stabilisation en les tournant dans le sens horaire, jusqu'à ce que les roulettes ne touchent plus le sol et que les deux pieds de stabilisation soient fermement en appui sur le sol. Cet arrangement vise à empêcher le congélateur de rouler vers l'avant à l'ouverture des portes.
- IMPORTANT :** Si des ajustements sont nécessaires par la suite et si cela comprend les pieds de stabilisation, les deux pieds de stabilisation doivent être tournés de façon égale pour conserver l'aplomb du congélateur.
4. S'assurer que la porte ferme facilement. Si vous êtes satisfait de la facilité avec laquelle la porte s'ouvre et se ferme, sauter la section suivante. Cependant, si la porte ne ferme pas facilement ou qu'elle s'ouvre d'elle-même, régler l'inclinaison.

Réglage de l'inclinaison de la caisse :

REMARQUE : Si une autre personne pousse le haut du congélateur, le poids devient moins lourd sur les pieds de nivellement. Ceci facilite leur rotation. Utiliser un tourne-écrou de 1/4" pour faire tourner les pieds de stabilisation dans le sens horaire d'un même nombre de tours. Ceci permet de soulever l'avant du congélateur. Plusieurs tours peuvent être nécessaires pour que la porte ferme plus facilement

A. Pied de stabilisation
B. Roulette avant

5. S'assurer que le congélateur est stable. Si le congélateur semble instable ou qu'il roule vers l'avant lorsqu'on ouvre la porte, régler les pieds de nivellement.

Stabilisation du congélateur :

- Ouvrir la porte du congélateur. Utiliser un tourne-écrou de 1/4" pour tourner les deux pieds de stabilisation du même nombre de tours dans le sens horaire, jusqu'à ce qu'ils soient fermement en appui sur le sol. Vérifier de nouveau. Si le résultat n'est pas satisfaisant, continuer de régler les pieds de nivellement en tournant la vis par demi-tours jusqu'à ce que le congélateur ne roule plus vers l'avant lors de l'ouverture de la porte.
6. Réinstaller la grille de la base en alignant les extrémités de la grille avec les dispositifs de nivellement de chaque côté et emboîter la grille. Réinstaller les vis Phillips.

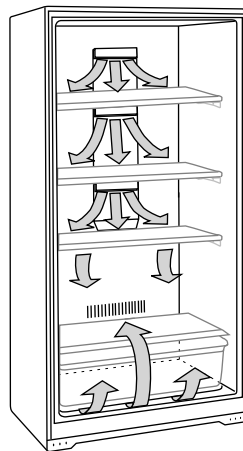
UTILISATION DU CONGÉLATEUR

Pour s'assurer d'une circulation d'air appropriée

Pour s'assurer d'avoir des températures appropriées, il faut permettre à l'air de circuler dans le congélateur. Comme l'indique l'illustration, l'air froid pénètre par la paroi du congélateur et se déplace vers le bas. L'air recircule ensuite par l'évent près de la base.

Ne pas obstruer l'une ou l'autre de ces ouvertures d'aération avec des emballages d'aliments. Si les ouvertures d'aération sont bloquées, le courant d'air sera coupé et des problèmes de température et d'humidité peuvent survenir.

IMPORTANT : Pour empêcher le transfert d'odeurs et l'assèchement des aliments, envelopper ou recouvrir hermétiquement les aliments.



Utilisation de la commande

La commande de la température se trouve dans la partie supérieure avant du compartiment de congélation.

Commande de la température

Pour votre commodité, la commande de température est pré-réglée à l'usine. Lors de l'installation initiale du congélateur, vérifier que la commande est encore pré-réglée au point de réglage recommandé tel qu'illustré.



IMPORTANT :

- Ce réglage est conçu pour maintenir la température à environ 0 °F (-17,8 °C) dans des conditions de fonctionnement normales.
- Laisser le congélateur refroidir pendant 6 à 8 heures avant de le remplir de produits surgelés.
- Lorsque le congélateur est mis en marche pour la première fois, le compresseur fonctionne sans cesse jusqu'à ce que le congélateur soit refroidi. Cela peut durer entre 6 et 8 heures (ou plus), en fonction de la température de la pièce et de la fréquence d'ouverture de la porte de congélateur. Une fois le congélateur refroidi, le compresseur s'allume et s'éteint par intermittence selon le besoin, afin de permettre au congélateur de rester à la bonne température.

- Il est possible que l'extérieur du congélateur soit chaud. Ceci est normal. La conception du congélateur ainsi que sa fonction principale permettent de supprimer la chaleur provenant des emballages et de l'espace à l'intérieur du congélateur. La chaleur est transférée dans l'air ambiant, ce qui entraîne le réchauffement de l'extérieur du congélateur.

Réglage de la commande

Si le réglage de la température du compartiment de congélation est souhaité, appuyer sur le bouton TEMP SETTING (réglage de la température) pour afficher le réglage de la température désiré, du flocon de neige de gauche (le moins froid) au flocon de neige de droite (le plus froid).

REMARQUE : Ne pas régler la commande de plus d'un réglage à la fois, sauf lors de la mise en marche du congélateur. Attendre 24 heures entre chaque réglage pour que la température puisse se stabiliser.

Cooling On/Off (marche/arrêt du refroidissement)

Le congélateur ne refroidit pas lorsque le refroidissement est désactivé.

Pour désactiver le refroidissement, appuyer sur le bouton TEMP SETTING (réglage de la température) pendant 3 secondes. Si le refroidissement est désactivé, aucun des témoins lumineux du tableau de commande ne s'allume. L'ampoule d'éclairage principale du congélateur continue de fonctionner.

Pour activer le refroidissement, appuyer sur le bouton TEMP SETTING (réglage de la température) pendant 3 secondes. Lorsque le refroidissement est activé, les témoins lumineux du tableau de commande sont allumés.

Congélation rapide

Utiliser cette caractéristique avant d'ajouter de grandes quantités d'aliments non congelés. Pour que la qualité des aliments reste optimale, ne pas dépasser 3 lb (1,361 g) d'aliments par pied cube (28,32 L) dans le congélateur.

Pour activer la caractéristique de congélation rapide, appuyer sur le bouton TEMP SETTING (réglage de la température) jusqu'à ce que tous les témoins lumineux des flocons de neige s'allument simultanément.

Le congélateur reste réglé sur congélation rapide pendant 24 heures une fois la très basse température atteinte. Dès que la durée a expiré, le congélateur revient au réglage de température précédent. La caractéristique de congélation rapide peut être désactivée manuellement en appuyant sur TEMP SETTING (réglage de la température) pour sélectionner le réglage de la température désiré, du flocon de neige de gauche (le moins froid) au flocon de neige de droite (le plus froid).

Dispositif d'alarme de dépassement de la température (sur certains modèles)

Le dispositif d'alarme de dépassement de la température avertit l'utilisateur si la température du congélateur a atteint 19 °F (-7 °C) ou plus. Cette caractéristique d'alarme émet un signal d'alarme en continu et un témoin lumineux rouge clignote de façon répétée sur le tableau de commande. Il est possible de désactiver le signal en appuyant une fois sur le bouton TEMP SETTING (réglage de la température) du tableau de commande. Lorsque le bouton TEMP SETTING (réglage de la température) est enfoncé, le témoin lumineux rouge arrête de clignoter et reste allumé en continu. Le témoin lumineux rouge reste allumé jusqu'à ce que la température du congélateur tombe en dessous de 19 °F (-7 °C).

REMARQUE : Si le témoin lumineux rouge du tableau de commande clignote de façon répétée, mais que le signal d'alarme n'est pas émis, cela signifie qu'un dépassement de la température s'est produit, mais que la température est ensuite redescendue en dessous de 19 °F (-7 °C). Pour désactiver le témoin lumineux rouge dans cette situation, appuyer une fois sur le bouton TEMP SETTING (réglage de la température) du tableau de commande.

Dispositif d'alarme de porte entrouverte (sur certains modèles)

L'alarme de porte entrouverte avertit l'utilisateur lorsque la porte du congélateur est ouverte depuis au moins 5 minutes et que le système de refroidissement est activé. Cette caractéristique d'alarme émet un signal d'alerte se répétant toutes les 2 minutes. Fermer la porte pour arrêter ce signal. Cette caractéristique se réinitialise et se réactive ensuite si on laisse de nouveau la porte ouverte pendant 5 minutes.

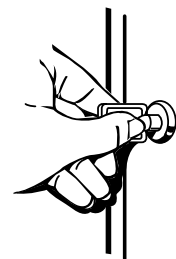
REMARQUE : Pour que le signal d'alerte cesse de retentir tout en gardant la porte ouverte, comme lors du nettoyage de l'intérieur du congélateur, appuyer sur le bouton TEMP SETTING (réglage de la température) du tableau de commande. Le signal d'alerte sera temporairement désactivé.

Serrure à éjection de clé (sur certains modèles)

Pour verrouiller ou déverrouiller le congélateur, vous devez garder la clé dans la serrure en la tournant. La serrure est activée par ressort, de sorte que la clé ne peut pas être laissée dans la serrure.

Si la clé est perdue, contacter votre marchand pour un remplacement. Toujours donner les numéros de modèle et de série du congélateur lors d'une demande d'une clé de remplacement.

REMARQUE : Garder la clé hors de portée des enfants. Ne pas conserver la clé à proximité du congélateur/réfrigérateur.



Machine à glaçons (sur certains modèles)

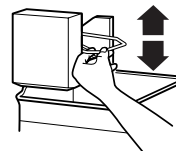
Mise en marche/arrêt de la machine à glaçons

REMARQUE : Ne pas forcer le commutateur du levier métallique vers le haut ou vers le bas.

- Pour mettre la machine à glaçons en marche, il suffit d'abaisser le levier métallique.

REMARQUE : Votre machine à glaçons a un arrêt automatique. Au fur et à mesure de la fabrication de la glace, les glaçons remplissent le bac d'entreposage de glaçons. Les glaçons soulèvent le levier métallique à la position d'ARRÊT (élevée).

- Pour un arrêt manuel, soulever le levier métallique à la position d'ARRÊT (élevée) et attendre le déclic pour s'assurer que la machine à glaçons ne continuera pas de fonctionner.



Taux de production de glaçons

La machine à glaçons devrait produire environ de 7 à 9 lots de glaçons par période de 24 heures. Si la production de glaçons n'est pas assez rapide, appuyer sur le bouton TEMP SETTING (réglage de la température) pour afficher le réglage plus froid suivant. Attendre 24 heures et, si nécessaire, tourner graduellement la commande de température au réglage le plus élevé, en attendant 24 heures entre chaque augmentation.

À noter

- Accorder 24 heures pour produire la première quantité de glaçons. Jeter les trois premières quantités de glaçons produites.

- La qualité de vos glaçons ne peut être supérieure à la qualité de l'eau fournie à votre machine à glaçons. Éviter de brancher la machine à glaçons à un approvisionnement d'eau adoucie. Les produits chimiques adoucisseurs d'eau (tel que le sel) peuvent endommager des pièces de la machine à glaçons et causer une piètre qualité des glaçons. Si une alimentation d'eau adoucie ne peut pas être évitée, s'assurer que l'adoucisseur d'eau fonctionne bien et qu'il est bien entretenu.

- Ne rien garder sur le dessus de la machine à glaçons ou dans le bac d'entreposage à glaçons.

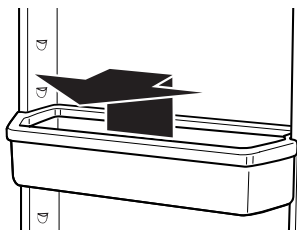
Caractéristiques du congélateur

Ce manuel couvre plusieurs modèles différents. Le congélateur que vous avez acheté peut comporter certaines ou toutes les caractéristiques indiquées ci-dessous. Les emplacements des caractéristiques peuvent ne pas correspondre au modèle que vous avez.

Balconnet de porte

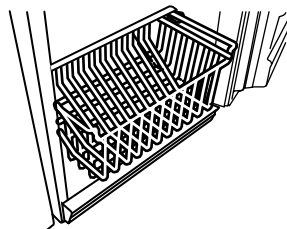
Pour retirer et réinstaller le balconnet :

1. Retirer le balconnet en faisant basculer l'avant du balconnet vers l'avant et en le faisant glisser pour le sortir.
2. Réinstaller le balconnet en le faisant glisser au-dessus du support désiré et en le faisant basculer pour le remettre en place.



Panier d'entreposage (sur certains modèles)

Le panier coulissant procure un espace de rangement séparé pour les articles difficiles à ranger sur les tablettes du congélateur. Pour retirer le panier, le tirer et le soulever.



Barrière d'entreposage (sur certains modèles)

Pour abaisser et lever la barrière d'entreposage :

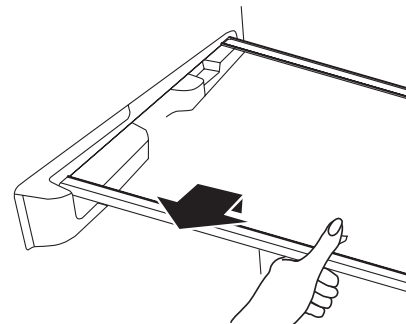
1. Soulever légèrement le sommet de la barrière, hors des appuis.
2. Retourner la grille à la position verticale. Abaisser la barrière dans les appuis.

Tablettes de congélateur

Le remisage d'aliments semblables ensemble et le réglage des tablettes pour convenir à différentes hauteurs réduiront aussi le temps d'ouverture de la porte du congélateur, ce qui économisera de l'énergie.

Pour retirer et réinstaller une tablette :

1. Retirer l'étagère en la soulevant et en la tirant pour l'extraire.
2. Réinstaller la tablette en l'abaissant sur les supports situés sur la paroi latérale.



ENTRETIEN DU CONGÉLATEUR

Nettoyage du congélateur sans givre

AVERTISSEMENT



Risque d'explosion

Utiliser un produit de nettoyage ininflammable.

Le non-respect de cette instruction peut causer un décès, une explosion ou un incendie.

Un nettoyage complet doit être fait au moins une fois par année.

1. Appuyer sur le bouton TEMP SETTING (réglage de la température) pendant 3 secondes pour désactiver le refroidissement.
2. Débrancher le congélateur ou déconnecter la source de courant électrique.
3. Retirer tous les aliments congelés. Envelopper les aliments congelés dans plusieurs épaisseurs de journaux et recouvrir d'une couverture. Les aliments demeureront congelés pendant plusieurs heures. On peut aussi entreposer les aliments congelés dans un contenant refroidisseur, un congélateur/réfrigérateur supplémentaire ou dans un endroit froid.
4. Retirer toutes les pièces amovibles de l'intérieur, comme les tablettes, bacs, etc.

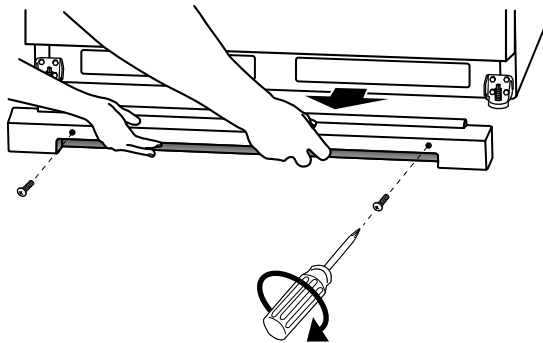
“Sans givre” signifie que le congélateur n'aura pas besoin d'être dégivré. Le givre est enlevé par l'air en circulation qui accapare toute humidité et la dépose sur le serpentin de refroidissement. Le serpentin de refroidissement se réchauffe périodiquement, juste assez pour faire fondre le givre, et ensuite l'écoule dans le plat d'égouttage (situé derrière la grille de la base) où le liquide s'évapore.

5. Laver à la main, rincer et sécher les pièces amovibles et les surfaces internes à fond. Utiliser une éponge propre ou un linge doux et un détergent doux dans de l'eau tiède.
 - Ne pas utiliser des nettoyants abrasifs tels que les nettoyants à vitre en atomiseurs, nettoyants à récurer, liquides inflammables, cires nettoyantes, détergents concentrés, eaux de Javel ou nettoyants contenant du pétrole sur les pièces en plastique, les garnitures intérieures ou les joints de portes. Ne pas utiliser d'essuie-tout, de tampons à récurer ou d'autres outils de nettoyage abrasif. Ces produits risquent d'égratigner ou d'endommager les matériaux.
 - Pour aider à éliminer les odeurs, on peut laver les parois intérieures avec un mélange d'eau tiède et de bicarbonate de soude (2 c. à soupe pour 1 pinte (26 g pour 0,95 L) d'eau).

6. Replacer les pièces amovibles.
7. Utiliser la méthode de nettoyage adéquate pour votre finition extérieure.

Métal peint : Laver les surfaces extérieures avec une éponge propre ou un linge doux et un détergent doux dans de l'eau tiède. Ne pas utiliser de nettoyant fort ou abrasif, ni de nettoyant conçu pour l'acier inoxydable. Sécher à fond avec un linge doux.

8. Nettoyer régulièrement les serpentins du condenseur. Il se peut que les serpentins aient besoin d'être nettoyés tous les deux mois. Ce nettoyage peut aider à économiser de l'énergie.
 - Ouvrir la porte du congélateur et retirer la grille de la base en enlevant les 2 vis Phillips et en tirant la grille vers soi.

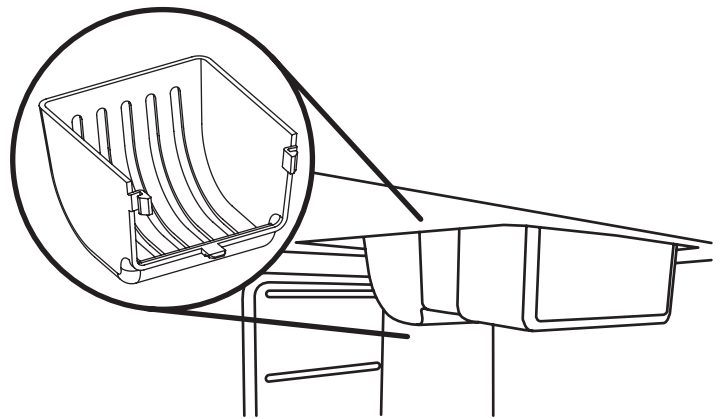


- Utiliser un aspirateur avec un accessoire long pour nettoyer les serpentins du condenseur lorsqu'ils sont sales ou poussiéreux.
 - Réinstaller la grille de la base en alignant les extrémités de la grille avec les dispositifs de nivellement de chaque côté et emboîter la grille. Réinstaller les vis.
9. Replacer tous les aliments congelés.
 10. Brancher le congélateur ou reconnecter la source de courant électrique.
 11. Régler la commande de température au réglage désiré. Voir la section "Utilisation de la commande".

Remplacement de l'ampoule d'éclairage

REMARQUE : Votre congélateur ne pourra pas accommoder toutes les ampoules pour appareils ménagers. S'assurer de remplacer l'ampoule par une ampoule de grosseur, de forme et de puissance semblables.

1. Débrancher le congélateur ou déconnecter la source de courant électrique.
2. Retirer le protège-ampoule en appuyant sur les côtés du protège-ampoule, en poussant et en tirant vers le bas.



3. Utiliser uniquement une ampoule pour appareil électroménager de 40 watts maximum ou une ampoule DEL cotée pour les environnements humides/mouillés.

REMARQUE : Certaines ampoules DEL de rechange ne sont pas recommandées pour des environnements humides/mouillés. Les compartiments de réfrigération et de congélation sont considérés comme des environnements humides/mouillés. Lire et suivre les instructions sur l'emballage des ampoules DEL au moment de remplacer l'ampoule DEL installée à l'usine. Une ampoule DEL de rechange peut être achetée chez un revendeur agréé.

4. Réinstaller le protège-ampoule.
5. Brancher le congélateur ou reconnecter la source de courant électrique.

Pannes de courant électrique

Si le courant électrique est interrompu pendant 24 heures ou moins, garder la porte fermée pour aider les aliments à demeurer froids et congelés.

Si le service est interrompu pendant plus de 24 heures, faire l'une des choses suivantes :

- Retirer tous les aliments congelés et les entreposer dans un casier frigorifique.
- S'il n'y a pas de casier frigorifique, consommer ou mettre immédiatement en conserve les aliments périssables.

À NOTER : Un congélateur plein restera froid plus longtemps qu'un congélateur partiellement rempli. Un congélateur plein de viande demeure froid plus longtemps qu'un congélateur rempli d'aliments cuits. Si les aliments contiennent des cristaux de glace, ils peuvent être remis à congeler, cependant la qualité et la saveur risquent d'être affectées. Si les aliments semblent de piètre qualité ou douteux, les jeter.

Déménagement

En cas de déménagement et de déplacement du congélateur dans une nouvelle habitation, suivre ces étapes pour préparer le déménagement:

1. Enlever tous les aliments congelés.
2. Débrancher le congélateur.
3. Retirer toutes les pièces amovibles, bien les envelopper et les attacher ensemble avec du ruban adhésif pour qu'elles ne bougent ou ne s'entrechoquent pas durant le déménagement.
4. Bien nettoyer le congélateur.
5. Immobiliser le couvercle du congélateur avec un ruban adhésif et fixer le cordon électrique à la caisse avec un ruban adhésif.

Lorsque vous arrivez à la nouvelle demeure, consulter les sections "Installation du congélateur" et "Utilisation du congélateur" pour des renseignements sur l'installation et le réglage des commandes.

DÉPANNAGE

Essayer d'abord les solutions suggérées ici. Pour obtenir de l'aide ou des conseils qui permettront peut-être d'éviter une intervention de dépannage, consulter la page de garantie de ce manuel et balayer le code QR avec votre appareil intelligent ou consulter le site Internet www.whirlpool.com/product_help. Au Canada, consulter le <http://www.whirlpool.ca>.

Vous pouvez adresser tous commentaires ou questions par courrier à l'adresse ci-dessous :

Aux États-Unis :

Whirlpool Brand Home Appliances
Customer eXperience Center
553 Benson Road
Benton Harbor, MI 49022-2692

Au Canada :

Whirlpool Brand Home Appliances
Customer eXperience Centre
200 – 6750 Century Ave.
Mississauga ON L5N 0B7

Dans votre correspondance, veuillez indiquer un numéro de téléphone où l'on peut vous joindre dans la journée.

Fonctionnement du congélateur

⚠ AVERTISSEMENT



Risque de choc électrique

Brancher sur une prise à 3 alvéoles reliée à la terre.

Ne pas enlever la broche de liaison à la terre.

Ne pas utiliser un adaptateur.

Ne pas utiliser un câble de rallonge.

Le non-respect de ces instructions peut causer un décès, un incendie ou un choc électrique.

⚠ AVERTISSEMENT



Risque d'explosion

Utiliser un produit de nettoyage ininflammable.

Le non-respect de cette instruction peut causer un décès, une explosion ou un incendie.

PROBLÈME	SOLUTION RECOMMANDÉE
Le congélateur ne fonctionne pas	Vérifier qu'aucun programme automatique de dégivrage n'est en cours (sur certains modèles). Vérifier que le congélateur est branché sur une prise de courant à 3 alvéoles reliée à la terre. Vérifier que la commande de température est allumée. Remplacer le fusible ou réenclencher le disjoncteur. REMARQUE : Si le problème persiste, appeler un électricien.
Les lampes ne fonctionnent pas	Vérifier que le congélateur est branché sur une prise de courant à 3 alvéoles reliée à la terre. Vérifier que l'ampoule est bien serrée dans la douille et qu'elle n'est pas grillée.
Le bac de dégivrage contient de l'eau	Il est normal que de l'eau s'égoutte dans le bac de dégivrage lorsque le congélateur est en cours de dégivrage. Lorsque le taux d'humidité est élevé, il est normal que l'eau dans le bac de dégivrage prenne plus de temps à s'évaporer.

PROBLÈME	SOLUTION RECOMMANDÉE
<p>Le moteur semble fonctionner excessivement</p>	<p>Vérifier que la porte ferme correctement. Dégivrer et nettoyer le congélateur afin de retirer l'excès de givre. L'ajout d'une grande quantité d'aliments réchauffe le congélateur, l'obligeant à fonctionner plus longtemps pour refroidir. Dans ce cas, prévoir un délai d'environ 6 à 8 heures pour que le congélateur atteigne la température adéquate. Retirer tous les articles en une seule fois, ranger les aliments de façon organisée et refermer la porte le plus vite possible. Vérifier que le joint de la porte est hermétique sur toute la surface de contact. Si ce n'est pas le cas, contacter une personne ou un technicien qualifié. Vérifier que l'espace autour du congélateur répond aux exigences en matière de circulation de l'air. Voir la section "Exigences d'emplacement". REMARQUE : Si aucun des problèmes évoqué n'est rencontré, votre nouveau congélateur fonctionnera plus longtemps que l'ancien grâce à son moteur à haute efficacité.</p>
<p>La température est trop élevée</p>	<p>Vérifier que les ouvertures d'aération sont dégagées. Voir la section "Pour assurer une circulation d'air correcte" pour savoir où se trouvent les ouvertures d'aération. Retirer tous les articles en une seule fois, ranger les aliments de façon organisée et refermer la porte le plus vite possible. L'ajout d'une grande quantité d'aliments réchauffe le congélateur, l'obligeant à fonctionner plus longtemps pour refroidir. Vérifier que le réglage de la commande de température est adapté à l'environnement de l'appareil.</p>
<p>Le couvercle ne ferme pas complètement ou est difficile à ouvrir</p>	<p>Vérifier qu'aucun emballage d'aliments n'empêche la fermeture de la porte. Sur certains modèles, vérifier que les tablettes et le panier sont positionnés correctement. Vérifier que les joints sont propres. Voir la section "Entretien du congélateur". Vérifier que le congélateur est stable. Voir la section "Exigences d'emplacement".</p>
<p>Le congélateur émet un fort bourdonnement/cliquetis</p>	<p>Si le congélateur a récemment été branché ou allumé à la suite d'un dégivrage ou d'un déplacement, ou si une longue panne de courant s'est produite, éteindre l'alarme de température pour les 24 prochaines heures. Ajouter une grande quantité d'aliments réchauffe le congélateur. Plusieurs heures peuvent être nécessaires pour que le congélateur revienne à la température normale. Éteindre l'alarme de température pour les 24 prochaines heures.</p>

⚠ AVERTISSEMENT



Risque de choc électrique

Déconnecter la source de courant électrique avant l'entretien.

Replacer pièces et panneaux avant de faire la remise en marche.

Le non-respect de ces instructions peut causer un décès ou un choc électrique.

PROBLÈME	SOLUTIONS RECOMMANDÉES
La machine à glaçons ne produit pas de glaçons ou très peu	<p>Si la machine à glaçons vient d'être installée, attendre 72 heures avant que la production de glaçons complète ne commence.</p> <p>Vérifier que la commande de température est suffisamment froide.</p> <p>Vérifier que le bras de commande d'arrêt métallique est à la position On (vers le bas).</p> <p>Vérifier que l'alimentation en eau est correctement reliée et branchée.</p> <p>Vérifier qu'aucun glaçon ne bloque le bras éjecteur.</p> <p>Si une grande quantité de glaçons a été récemment prélevée, prévoir un délai de 24 heures pour produire plus de glaçons.</p> <p>REMARQUE : Si cette situation n'est pas attribuable à ce qui précède, il peut exister un problème avec la canalisation d'eau. Appeler pour demander une intervention de dépannage.</p>

Qualité des glaçons

PROBLÈME	SOLUTIONS RECOMMANDÉES
Mauvais goût, odeur ou couleur grise des glaçons	<p>Jeter les premières quantités de glaçons produites.</p> <p>Si l'alimentation en eau présente une teneur en minéraux anormalement élevée, l'eau peut avoir besoin d'être traitée.</p> <p>S'il y a une accumulation de dépôts calcaires, nettoyer le moule à glaçons.</p> <p>Si les glaçons ont été entreposés depuis trop longtemps, jeter les vieux glaçons et en produire de nouveaux.</p> <p>Vérifier que le congélateur et le bac d'entreposage à glaçons sont propres.</p>
Glaçons minces, mous ou agglomérés	<p>Si l'alimentation en eau présente une teneur en minéraux anormalement élevée, l'eau peut avoir besoin d'être traitée.</p> <p>S'il y a une accumulation de dépôts calcaires, nettoyer la machine à glaçons.</p> <p>Si des glaçons se sont agglomérés dans le bac d'entreposage et s'ils ne sont pas utilisés régulièrement, ils fondent et forment un agglomérat. Rompre les agglomérats avec la cuillère à glace fournie.</p>

GARANTIE LIMITÉE DES GROS APPAREILS MÉNAGERS WHIRLPOOL®

ATTACHEZ ICI VOTRE REÇU DE VENTE. UNE PREUVE D'ACHAT EST OBLIGATOIRE POUR OBTENIR L'APPLICATION DE LA GARANTIE.

Lorsque vous appelez le centre d'expérience de la clientèle, veuillez garder à disposition les renseignements suivants :

- Nom, adresse et numéro de téléphone
- Numéros de modèle et de série
- Une description claire et détaillée du problème rencontré
- Une preuve d'achat incluant le nom et l'adresse du marchand ou du détaillant

SI VOUS AVEZ BESOIN DE SERVICE :

1. Avant de nous contacter pour obtenir un dépannage, veuillez déterminer si des réparations sont nécessaires pour votre produit. Certains problèmes peuvent être résolus sans intervention de dépannage. Prenez quelques minutes pour parcourir la section Dépannage ou Résolution de problèmes du guide d'utilisation et d'entretien, scannez le code QR ci-contre avec votre téléphone intelligent pour accéder à des ressources supplémentaires, ou rendez-vous sur le site <http://www.whirlpool.ca>.
2. Tout service sous garantie doit être effectué exclusivement par nos fournisseurs de dépannage autorisés Whirlpool. Aux É.-U. et au Canada, dirigez toutes vos demandes de service sous garantie au

Centre d'expérience de la clientèle Whirlpool

Aux É.-U., composer le 1-800-253-1301. Au Canada, composer le 1-800-807-6777.

Si vous résidez à l'extérieur du Canada et des 50 États des États-Unis, contactez votre marchand Whirlpool autorisé pour déterminer si une autre garantie s'applique.



<http://www.whirlpool.ca>

GARANTIE LIMITÉE DE UN AN

CE QUI EST COUVERT

Pendant un an à compter de la date d'achat, lorsque ce gros appareil ménager est installé, utilisé et entretenu conformément aux instructions jointes à ou fournies avec le produit, Whirlpool Corporation ou Whirlpool Canada, LP (ci-après désignées "Whirlpool") décidera à sa seule discrétion de remplacer le produit ou de couvrir le coût des pièces spécifiées par l'usine et de la main-d'œuvre nécessaires pour corriger les vices de matériaux ou de fabrication qui existaient déjà lorsque ce gros appareil ménager a été acheté. S'il est remplacé, l'appareil sera couvert pour la période restant à courir de la garantie limitée d'un an du produit d'origine.

LE SEUL ET EXCLUSIF RECOURS DU CLIENT DANS LE CADRE DE LA PRÉSENTE GARANTIE LIMITÉE CONSISTE EN LA RÉPARATION PRÉVUE PAR LA PRÉSENTE. Le service doit être fourni par une compagnie de service désignée par Whirlpool. Cette garantie limitée est valide uniquement aux États-Unis ou au Canada et s'applique exclusivement lorsque le gros appareil ménager est utilisé dans le pays où il a été acheté. La présente garantie limitée est valable à compter de la date d'achat initial par le consommateur. Une preuve de la date d'achat initial est exigée pour obtenir un dépannage dans le cadre de la présente garantie limitée.

CE QUI N'EST PAS COUVERT

1. Usage commercial, non résidentiel ou par plusieurs familles, ou non-respect des instructions de l'utilisateur, de l'opérateur ou des instructions d'installation.
2. Visite d'instruction à domicile pour montrer à l'utilisateur comment utiliser l'appareil.
3. Visites de service pour rectifier une installation ou un entretien fautifs du produit, une installation non conforme aux codes d'électricité ou de plomberie, ou la rectification de l'installation électrique ou de la plomberie du domicile (ex : câblage électrique, fusibles ou tuyaux d'arrivée d'eau du domicile).
4. Pièces consommables (ex : ampoules, batteries, filtres à air ou à eau, solutions de conservation, etc.).
5. Défauts ou dommage résultant de l'utilisation de pièces ou accessoires Whirlpool non authentiques.
6. Conversion de votre produit du gaz naturel ou du gaz de pétrole liquéfié.
7. Dommages causés par : accident, mésusage, abus, incendie, inondations, catastrophe naturelle ou l'utilisation de produits non approuvés par Whirlpool.
8. Réparations aux pièces ou systèmes dans le but de rectifier un dommage ou des défauts résultant d'une réparation, altération ou modification non autorisée faite à l'appareil.
9. Défauts d'apparence, notamment les éraflures, traces de choc, fissures ou tout autre dommage subi par le fini de l'appareil ménager, à moins que ces dommages ne résultent de vices de matériaux ou de fabrication et ne soient signalés à Whirlpool dans les 30 jours suivant la date d'achat.
10. Décoloration, rouille ou oxydation des surfaces résultant d'environnements caustiques ou corrosifs incluant des concentrations élevées de sel, un haut degré d'humidité ou une exposition à des produits chimiques (exemples non exhaustifs).
11. Perte d'aliments ou de médicaments due à la défaillance du produit.
12. Enlèvement ou livraison. Ce produit est conçu pour être réparé à l'intérieur du domicile.
13. Frais de déplacement et de transport pour le dépannage/la réparation dans une région éloignée où une compagnie de service Whirlpool autorisée n'est pas disponible.
14. Retrait ou réinstallation d'appareils inaccessibles ou de dispositifs préinstallés (ex : garnitures, panneaux décoratifs, plancher, meubles, îlots de cuisine, plans de travail, panneaux de gypse, etc.) qui entravent le dépannage, le retrait ou le remplacement du produit.
15. Service et pièces pour des appareils dont les numéros de série et de modèle originaux ont été enlevés, modifiés ou ne peuvent pas être facilement identifiés.

Le coût d'une réparation ou d'un remplacement dans le cadre de ces circonstances exclues est à la charge du client.

CLAUSE D'EXONÉRATION DE RESPONSABILITÉ AU TITRE DES GARANTIES IMPLICITES

LES GARANTIES IMPLICITES, Y COMPRIS LES GARANTIES APPLICABLES DE QUALITÉ MARCHANDE OU D'APTITUDE À UN USAGE PARTICULIER, SONT LIMITÉES À UN AN OU À LA PLUS COURTE PÉRIODE AUTORISÉE PAR LA LOI. Certains États et provinces ne permettent pas de limitation sur la durée des garanties implicites de qualité marchande ou d'aptitude à un usage particulier, de sorte que la limitation ci-dessus peut ne pas être applicable dans votre cas. Cette garantie vous confère des droits juridiques spécifiques et vous pouvez également jouir d'autres droits qui peuvent varier d'une juridiction à l'autre.

EXONÉRATION DE RESPONSABILITÉ DANS LES DOMAINES NON COUVERTS PAR LA GARANTIE

Whirlpool décline toute responsabilité au titre de la qualité, de la durabilité ou en cas de dépannage ou de réparation nécessaire sur ce gros appareil ménager autre que les responsabilités énoncées dans la présente garantie. Si vous souhaitez une garantie plus étendue ou plus complète que la garantie limitée fournie avec ce gros appareil ménager, adressez-vous à Whirlpool ou à votre détaillant pour obtenir les modalités d'achat d'une garantie étendue.

LIMITATION DES RECOURS; EXCLUSION DES DOMMAGES FORTUITS OU INDIRECTS

LE SEUL ET EXCLUSIF RECOURS DU CLIENT DANS LE CADRE DE LA PRÉSENTE GARANTIE LIMITÉE CONSISTE EN LA RÉPARATION PRÉVUE PAR LA PRÉSENTE. WHIRLPOOL N'ASSUME AUCUNE RESPONSABILITÉ POUR LES DOMMAGES FORTUITS OU INDIRECTS. Certains États et certaines provinces ne permettent pas l'exclusion ou la limitation des dommages fortuits ou indirects de sorte que ces limitations et exclusions peuvent ne pas être applicables dans votre cas. Cette garantie vous confère des droits juridiques spécifiques et vous pouvez également jouir d'autres droits qui peuvent varier d'une juridiction à l'autre.



Guía del usuario

Congelador vertical

LE AGRADECEMOS la compra de este producto de alta calidad. Registre su congelador en www.whirlpool.com. En Canadá, registre su congelador en www.whirlpool.ca.

Para referencia futura, tome nota de los números de modelo y de serie de su producto. Puede buscar estos números en el interior del congelador.

Número de modelo _____

Números de serie _____

ÍNDICE

SEGURIDAD	29	Cerradura con expulsión de llave (en algunos modelos)	37
CÓMO INSTALAR EL CONGELADOR	31	Fábrica de hielo (en algunos modelos)	37
Desempaque	31	Características del congelador	38
Requisitos de ubicación	31	CUIDADO DEL CONGELADOR	38
Requisitos eléctricos	32	Limpieza del congelador sin escarcha	38
Requisitos del suministro de agua (en algunos modelos)	32	Cómo cambiar el foco	39
Conexión del suministro de agua (en algunos modelos)	32	Cortes de corriente	39
Cómo quitar y volver a colocar la manija	33	Cuidado para la mudanza	39
Puerta del congelador	34	SOLUCIÓN DE PROBLEMAS	40
Nivelación del congelador y cierre de las puertas	35	Funcionamiento del congelador	40
FUNCIONAMIENTO DEL CONGELADOR	36	Producción de hielo	41
Cómo asegurar la debida circulación de aire	36	Calidad del hielo	42
Uso del control	36	GARANTÍA	43

SEGURIDAD

Su seguridad y la seguridad de los demás es muy importante.

Hemos incluido muchos mensajes importantes de seguridad en este manual y en su electrodoméstico. Lea y obedezca siempre todos los mensajes de seguridad.



Este es el símbolo de alerta de seguridad.

Este símbolo le llama la atención sobre peligros potenciales que pueden ocasionar la muerte o una lesión a usted y a los demás.

Todos los mensajes de seguridad irán a continuación del símbolo de advertencia de seguridad y de la palabra "PELIGRO" o "ADVERTENCIA". Estas palabras significan:

 **PELIGRO**

Si no sigue las instrucciones de inmediato, usted puede morir o sufrir una lesión grave.

 **ADVERTENCIA**

Si no sigue las instrucciones, usted puede morir o sufrir una lesión grave.

Todos los mensajes de seguridad le dirán el peligro potencial, le dirán cómo reducir las posibilidades de sufrir una lesión y lo que puede suceder si no se siguen las instrucciones.

INSTRUCCIONES IMPORTANTES DE SEGURIDAD

ADVERTENCIA: Para reducir el riesgo de incendio, choque eléctrico, o lesiones personales al usar su refrigerador siga estas precauciones básicas:

- Conecte a un contacto de pared de conexión a tierra de 3 terminales.
- No use un adaptador.
- No quite la terminal de conexión a tierra.
- No use un cable eléctrico de extensión.
- Desconecte el suministro de energía antes de darle servicio.
- Vuelva a colocar todos los componentes y paneles antes de hacerlo funcionar.
- Remueva las puertas de su refrigerador viejo.
- Conecte solamente al suministro de agua potable.
- Use un limpiador no inflamable.
- Mantenga los materiales y vapores inflamables, tales como gasolina, alejados del refrigerador.
- Use dos o más personas para mover e instalar el refrigerador.
- Desconecte el suministro de energía antes de instalar la fábrica de hielo (en aquellos modelos que incluyen el juego de instalación de la fábrica de hielo).
- Use un vaso resistente para recibir hielo del despachador (en algunos modelos).
- No golpee las puertas de vidrio del refrigerador (en algunos modelos).
- Este aparato no ha sido diseñado para ser usado por personas (incluidos niños) con capacidad física, sensorial o mental reducida, o con falta de experiencia y conocimiento, a menos que lo hagan bajo supervisión o siguiendo las instrucciones relativas al uso del aparato, a cargo de una persona responsable por su seguridad.
- Los niños deberán estar bajo supervisión para asegurarse de que no jueguen con el electrodoméstico.

CONSERVAR ESTAS INSTRUCCIONES

Advertencias de la Proposición 65 del estado de California:

ADVERTENCIA: Este producto contiene una o más sustancias químicas identificadas por el estado de California como causantes de cáncer.

ADVERTENCIA: Este producto contiene una o más sustancias químicas identificadas por el estado de California como causantes de defectos congénitos o algún otro tipo de daños en la función reproductora.

Cómo deshacerse de su refrigerador viejo

ADVERTENCIA

Peligro de Asfixia

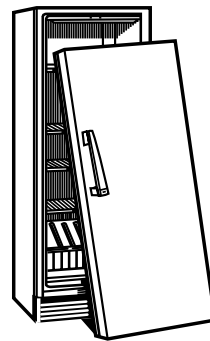
Remueva las puertas o la tapa de su congelador o refrigerador viejo.

No seguir esta instrucción puede ocasionar la muerte o daño al cerebro.

IMPORTANTE: El atrapamiento y asfixia de niños no es un problema del pasado. Los congeladores o refrigeradores tirados y abandonados son un peligro, aún si van a quedar ahí “por unos pocos días”. Si Ud. está por deshacerse de su refrigerador o congelador viejo, por favor siga las instrucciones que se dan a continuación para prevenir accidentes.

Antes de tirar su congelador o refrigerador viejo:

- Saque las puertas o la tapa.
- Deje los estantes en su lugar de forma que los niños no puedan ingresar con facilidad.



Información importante para saber acerca del desecho de refrigerantes:

Deshágase del refrigerador siguiendo los reglamentos federales y locales. Los refrigerantes deberán ser evacuados por un técnico certificado en refrigeración por EPA (Agencia de protección del medioambiente) según los procedimientos establecidos.

CÓMO INSTALAR EL CONGELADOR

Desempaque

⚠️ ADVERTENCIA

Peligro de Peso Excesivo

Use dos o más personas para mover e instalar el congelador.

No seguir esta instrucción puede ocasionar una lesión en la espalda u otro tipo de lesiones.

Quite los materiales de empaque

- Quite los residuos de cinta y goma de las superficies antes de encender el congelador. Frote un poco de detergente líquido para vajilla sobre el adhesivo con los dedos. Limpie con agua tibia y seque.
- No use instrumentos filosos, alcohol para fricciones, líquidos inflamables o productos de limpieza abrasivos para eliminar los restos de cinta o goma. Estos productos pueden dañar la superficie de su congelador. Para más información, vea "Seguridad".

Cómo mover su congelador:

Su congelador es muy pesado. Cuando mueva su congelador para limpiarlo o darle servicio, proteja el piso. Al mover el congelador, siempre tire directamente hacia afuera. No menee el congelador de lado a lado ni lo haga "caminar" cuando lo trate de mover ya que podría dañar el piso.

Limpieza antes del uso

Una vez que usted haya quitado todos los materiales de empaque, limpie el interior de su congelador antes de usarlo. Consulte las instrucciones de limpieza en la sección "Cuidado del congelador".

Información importante para saber acerca de los estantes y tapas de vidrio:

No limpie los estantes y tapas de vidrio con agua caliente mientras están fríos. Los estantes y tapas pueden romperse si se exponen a cambios bruscos de temperatura o impacto, como sería un golpe brusco. El vidrio templado se ha diseñado para hacerse añicos. Esto es normal. Los estantes y tapas de vidrio son muy pesados. Use ambas manos al sacarlos para evitar que se caigan.

Requisitos de ubicación

⚠️ ADVERTENCIA



Peligro de Explosión

Mantenga los materiales y vapores inflamables, tales como gasolina, alejados del congelador.

No seguir esta instrucción puede ocasionar la muerte, explosión, o incendio.

Ventilación y holgura

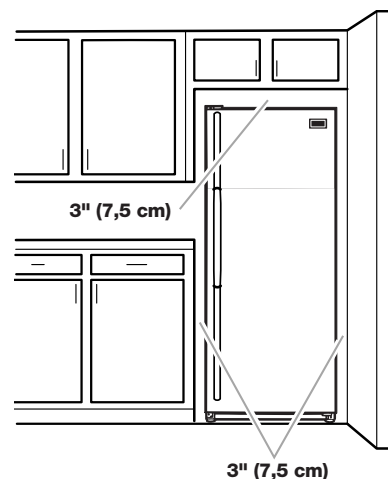
- Mantenga los materiales y vapores inflamables, tales como gasolina, alejados del congelador.
- No cubra el congelador con artículos tales como frazadas, sábanas, cubre mesas, etc. Esto reducirá la circulación del aire.
- Deje un espacio de aire de al menos 3" (7,5 cm) en la parte superior y a ambos lados del congelador y de 1" (2,5 cm) entre la parte posterior del congelador y la pared. Si el congelador va a estar contra una pared fija, deje espacio adicional del lado de la bisagra para que la puerta pueda abrirse con más amplitud.

Temperatura

El congelador funciona con máxima eficiencia cuando está ubicado en un área con temperaturas no inferiores a 40 °F (5 °C). Coloque el congelador en un lugar donde la temperatura no descienda por debajo de esta temperatura recomendada.

Traslado a la ubicación final

NOTA: Deje un espacio de 3" (7,5 cm) en la parte superior y los costados y un espacio de ¼" (6,4 cm) entre los electrodomésticos.



Requisitos eléctricos

⚠ ADVERTENCIA



Peligro de Choque Eléctrico

Conecte a un contacto de pared de conexión a tierra de 3 terminales.

No quite la terminal de conexión a tierra.

No use un adaptador.

No use un cable eléctrico de extensión.

No seguir estas instrucciones puede ocasionar la muerte, incendio o choque eléctrico.

Antes de mover el congelador a su ubicación final, es importante asegurarse de tener la conexión eléctrica adecuada.

Método de conexión a tierra recomendado

Se requiere una fuente de energía eléctrica de 115 Voltios, 60 Hz, CA solamente y con fusibles de 15 o 20 amperios, conectada a tierra. Se recomienda utilizar un circuito separado sólo para su congelador. Use un tomacorriente que no se pueda apagar con un interruptor. No use un cable eléctrico de extensión.

NOTA: Antes de realizar cualquier tipo de instalación, limpieza o cambio de un foco de luz, mantenga presionado TEMP SETTING (Ajuste de temperatura) durante 3 segundos para desactivar el enfriamiento y después desconecte el congelador del suministro de electricidad.

Over Temp Reset



Cooling On/Off
Hold 3 Sec

Requisitos del suministro de agua (en algunos modelos)

Ensamble las piezas y herramientas necesarias antes de comenzar la instalación. Lea y siga las instrucciones provistas con cualquiera de las herramientas enumeradas aquí

Herramientas necesarias

- Destornillador de hoja plana
- Llave para tuercas de 1/4"
- Llaves de extremo abierto de 7/16" y de 1/2" o dos llaves ajustables
- Broca de 1/4"
- Taladro inalámbrico

NOTA: El distribuidor de su congelador dispone de un juego con válvula de cierre tipo montura de 1/4" (6,35 mm), una unión y tubería de plástico. Antes de comprar, asegúrese de que la válvula tipo montura cumple con los códigos de plomería locales. No use una válvula perforadora o una válvula de montura de 3/16" (4,76 mm) que reduce el flujo de agua y se obstruye con más facilidad.

IMPORTANTE:

- Si enciende el congelador antes de conectar la tubería de agua, apague la fábrica de hielo (OFF).
- Todas las instalaciones deben hacerse de acuerdo a los requisitos locales de plomería.
- Use tubería de plástico y revise si hay fugas. Instale la tubería de plástico sólo en áreas donde la temperatura va a permanecer por encima del punto de congelación.

Presión del agua

Se requiere un suministro de agua fría con presión de agua entre 30 y 120 psi (entre 207 y 827 kPa) para hacer funcionar el despachador de agua y la fábrica de hielo. Si tiene preguntas acerca de la presión del agua, vea "Solución de problemas" o llame a un plomero competente matriculado.

Suministro de agua por ósmosis inversa

Si se conecta un sistema de filtración de agua de ósmosis inversa al suministro de agua fría, la presión de agua al sistema de ósmosis inversa deberá ser como mínimo de 40 a 60 psi (de 276 a 414 kPa).

Si la presión del agua al sistema de ósmosis inversa no es como mínimo de 40 a 60 psi (de 276 a 414 kPa), puede insertarse una bomba de refuerzo en la tubería pequeña que va de la tubería de agua fría al sistema de ósmosis inversa. Si el despachador de agua todavía no distribuye agua de manera apropiada:

- Fíjese si el filtro de sedimentos en el sistema de ósmosis inversa está bloqueado. Reemplácelo si fuera necesario.
- Deje que se vuelva a llenar el tanque de almacenaje del sistema de ósmosis inversa después del uso intenso.
- Si el refrigerador tiene un filtro de agua, puede reducir la presión aún más si se usa junto con un sistema de ósmosis inversa. Quite el filtro de agua.

Si tiene preguntas acerca de la presión del agua, vea "Solución de problemas" o llame a un plomero competente matriculado.

Conexión del suministro de agua (en algunos modelos)

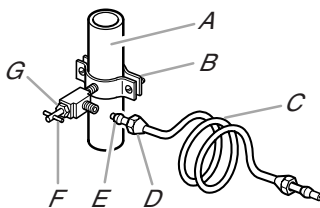
Conexión a la línea de agua

1. Desenchufe el congelador o desconecte el suministro de energía.
2. Cierre el suministro principal de agua. Abra el grifo más cercano el tiempo suficiente para limpiar la línea de agua.
3. Busque una tubería vertical de agua fría de 1/2" a 1 1/4" (de 12,7 mm a 3,18 cm) cercana al congelador.

IMPORTANTE:

- Asegúrese de que sea una tubería de agua fría.
- Una tubería horizontal funcionará, pero taladre por el lado de arriba de la tubería, no por debajo. Esto ayudará a mantener el agua alejada del orificio taladrado y que se acumule sedimento normal en la válvula.

- Determine la longitud de la tubería de plástico que necesite. Mida desde la conexión de la parte baja trasera izquierda del congelador hasta la tubería de agua. Agregue 7 pies (2,1 m) para permitir la limpieza. Use tubos de plástico de 1/2" (6,35 mm) de diámetro externo. Asegúrese que ambos extremos de la tubería de plástico están cortados a escuadra.
- Use un taladro inalámbrico para perforar un orificio de 1/4" (6,35 mm) en la tubería de agua fría que haya seleccionado.

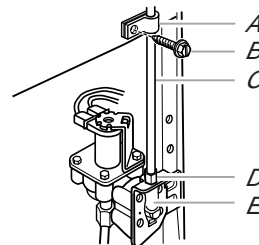


- | | |
|----------------------------|------------------------|
| A. Tubería de agua fría | E. Manga de compresión |
| B. Abrazadera para tubería | F. Válvula de cierre |
| C. Tubería de plástico | G. Tuerca de presión |
| D. Tuerca de compresión | |

- Sujete la válvula de cierre a la tubería de agua fría con una abrazadera para tubería. Asegúrese de que el extremo de salida esté firmemente insertado en el orificio de 1/4" (6,35 mm) de la tubería de agua y que la arandela esté debajo de la abrazadera para tubería. Apriete la tuerca de presión. Apriete los tornillos de la abrazadera para tubería lentamente y en forma pareja de manera que la arandela provea un cierre hermético. No apriete demasiado porque se puede quebrar la tubería de plástico.
- Deslice la manga de compresión y la tuerca de compresión sobre la tubería de plástico, como se muestra. Inserte el extremo de la tubería en el extremo de salida en ángulo recto hasta donde sea posible. Atornille la tuerca de compresión al extremo de salida con una llave de tuercas ajustable. No apriete demasiado.
- Coloque el extremo libre de la tubería en un recipiente o fregadero y abra el suministro principal de agua. Enjuague la tubería hasta que el agua salga limpia. Cierre la válvula de cierre del tubo de agua. Enrolle la tubería de plástico.

Conexión al congelador

- Fije el tubo de plástico a la entrada de la válvula usando una tuerca de compresión y manga de compresión como se muestra. Apriete la tuerca de compresión. No apriete demasiado.
- Use la abrazadera para tubería en la parte trasera del congelador para sujetar la tubería al congelador, como se muestra. Esto ayudará a evitar daños en la tubería cuando el congelador se empuje nuevamente contra la pared.
- Abra la válvula de cierre.
- Revise si hay fugas. Ajuste las conexiones (incluso las de la válvula) o tuercas que tengan fugas.



- | | |
|---|-------------------------|
| A. Abrazadera para tubería | D. Tuerca de compresión |
| B. Tornillo de la abrazadera para tubos | E. Admisión de válvula |
| C. Tubería de plástico | |

- La fábrica de hielo está equipada con un filtro de agua integrado. Si las condiciones del agua local requieren un segundo filtro de agua, se debe instalar en la línea de agua de 1/4" (6,35 mm) en cualquiera de las dos conexiones de la tubería. Obtenga un filtro de agua del distribuidor de electrodomésticos más cercano a su domicilio.

⚠ ADVERTENCIA



Peligro de Choque Eléctrico

Conecte a un contacto de pared de conexión a tierra de 3 terminales.

No quite la terminal de conexión a tierra.

No use un adaptador.

No use un cable eléctrico de extensión.

No seguir estas instrucciones puede ocasionar la muerte, incendio o choque eléctrico.

- Enchufe en un tomacorriente de 3 terminales con conexión a tierra.

Cómo quitar y volver a colocar la manija

Para quitar la manija:

- Afloje los tornillos prisioneros ubicados en el costado de la manija en cada extremo. Vea la ilustración "Inversión del sentido de abertura de la puerta y retiro de la manija".
- Retire la manija de las arandelas.

Para volver a colocar la manija:

- Coloque la manija sobre las arandelas; asegúrese de que las arandelas estén encajadas en los orificios de la manija.
- Apriete los tornillos prisioneros superior e inferior con la llave hexagonal provista. Vea la ilustración "Inversión del sentido de abertura de la puerta y retiro de la manija". No apriete demasiado los tornillos.

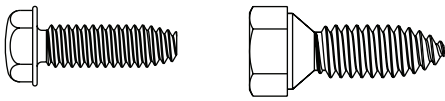
Puerta del congelador

Herramientas necesarias: llave de cubo de cabeza hexagonal de $\frac{5}{16}$ ", llave de cubo de cabeza hexagonal de $\frac{3}{8}$ ", cuchillo plano para masilla de 2".

IMPORTANTE:

- Todas las ilustraciones a las que se hace referencia en las siguientes instrucciones se incluyen más adelante en esta sección después de "Pasos finales". Las ilustraciones muestran una puerta con sentido de apertura hacia la derecha (bisagras instaladas en fábrica a la derecha).
- Si usted sólo quiere quitar la puerta y volverla a colocar, vea "Cómo quitar la puerta y las bisagras" y "Cómo volver a poner la puerta y las bisagras en su lugar".
- Antes de comenzar, gire el control hacia Off (Apagado), saque los alimentos y la puerta regulable o recipientes de uso general de la puerta.

Cómo quitar la puerta y las bisagras



1. Desenchufe el congelador o desconecte el suministro de energía.
2. Mantenga la puerta del congelador cerrada hasta que esté listo para levantarla y quitarla de la carcasa.
NOTA: Mientras cambia de lugar las bisagras, disponga de un soporte adicional para la puerta. No se confíe en que los imanes de las puertas van a sostener la puerta en su lugar mientras trabaja.
3. Quite los componentes de la bisagra superior como se muestra en la ilustración Bisagra superior.
4. Levante la puerta del congelador para quitarla de la bisagra inferior y del gabinete y déjela a un lado.
5. Quite el conjunto de los 4 tornillos de bisagra de cabeza hexagonal y la bisagra inferior. Vea la ilustración Bisagra inferior.

Cambio del sentido de apertura de la puerta (opcional, en algunos modelos)

IMPORTANTE: Si desea invertir la apertura de la puerta para que se abra en el sentido opuesto, continúe con las instrucciones de "Cambio del sentido de apertura de la puerta (opcional, en algunos modelos)". Si no desea cambiar el sentido de apertura de la puerta, vea "Cómo volver a poner la puerta y las bisagras en su lugar".

Gabinete

1. Quite los tapones de los orificios de la bisagra de la parte superior del gabinete y colóquelos en los orificios de la bisagra del lado opuesto, como se muestra en la ilustración 2.
2. Quite el pasador de la bisagra inferior del soporte de la bisagra.
3. Quite los adhesivos que cubren los orificios del lado opuesto de la bisagra inferior.
4. Vuelva a instalar el pasador de la bisagra inferior en el orificio alternativo del soporte de la bisagra. Vea la ilustración 3.
5. Vuelva a instalar el soporte de la bisagra en el gabinete con los 4 tornillos de cabeza hexagonal para bisagra.

Puerta

1. Quite el tapón del orificio del guardacabo de la bisagra en la parte superior de la puerta. Vea la ilustración 4.
2. Quite el tope de puerta de la parte inferior de la puerta.
3. Traslade el topé de puerta al lado contrario y asegúrese de que el orificio de la placa del tope de la puerta se alinee perfectamente con el orificio de la puerta para el pasador de la bisagra inferior.
4. Use los tornillos que quitó en el paso 2 para sujetar el soporte del tope de la puerta en la parte inferior de la puerta.
5. Apriete todos los tornillos. Ponga la puerta a un lado hasta que la bisagra inferior esté en su lugar.

Cómo volver a poner la puerta y las bisagras en su lugar

NOTA: Si el sentido de apertura de la puerta se cambia, la ilustración de la puerta pudiera quedar invertida.

1. Vuelva a colocar las piezas de la bisagra inferior como se muestra y apriete los tornillos. Vea la ilustración Bisagra inferior. Vuelva a poner en su lugar la puerta del congelador.
NOTA: Mientras quita las bisagras, siempre disponga de un soporte adicional para la puerta. No se confíe en que los imanes de las puertas van a sostener la puerta en su lugar mientras trabaja.
2. Ensamble los componentes de la bisagra superior como se muestra en la ilustración Bisagra superior. No apriete completamente los tornillos.

Pasos finales

1. Revise todos los orificios para cerciorarse de que los tapones de los orificios y los tornillos estén en su lugar. Vuelva a instalar la cubierta de la bisagra superior. Vea la ilustración de la bisagra superior.
2. Use los adhesivos que se proporcionan para cubrir los orificios restantes del lado opuesto de la bisagra inferior.

⚠ ADVERTENCIA



Peligro de Choque Eléctrico

Conecte a un contacto de pared de conexión a tierra de 3 terminales.

No quite la terminal de conexión a tierra.

No use un adaptador.

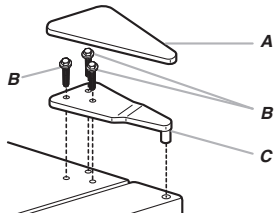
No use un cable eléctrico de extensión.

No seguir estas instrucciones puede ocasionar la muerte, incendio o choque eléctrico.

3. Enchufe en un tomacorriente de 3 terminales con conexión a tierra.
4. Vuelva a ajustar el control. Vea "Uso del control".
5. Regrese todas las partes desmontables a la puerta y la comida al congelador.

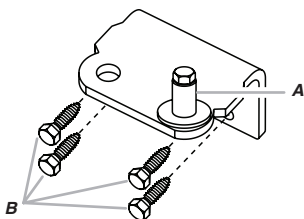
Retiro y colocación de las puertas

Bisagra superior



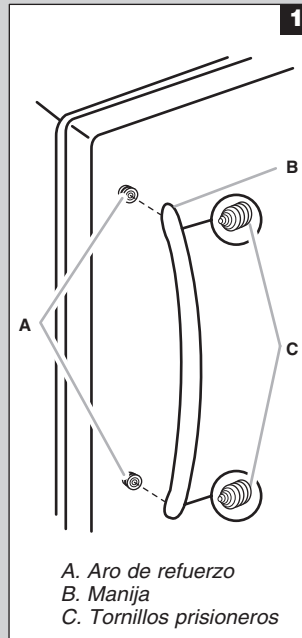
- A. Cubierta de bisagra superior
- B. Tornillos de cabeza hexagonal de $\frac{5}{16}$ " para bisagras
- C. Bisagra superior

Bisagra inferior

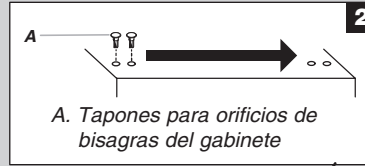


- A. Pasador de bisagra
- B. Tornillos de cabeza hexagonal de $\frac{3}{8}$ " para bisagras

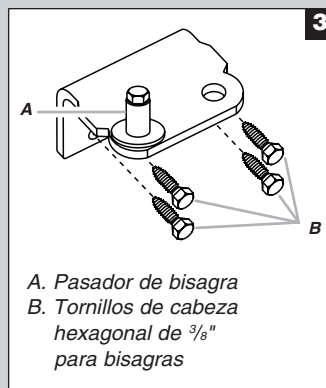
Inversión del sentido de abertura de la puerta y retiro de la manija (opcional)



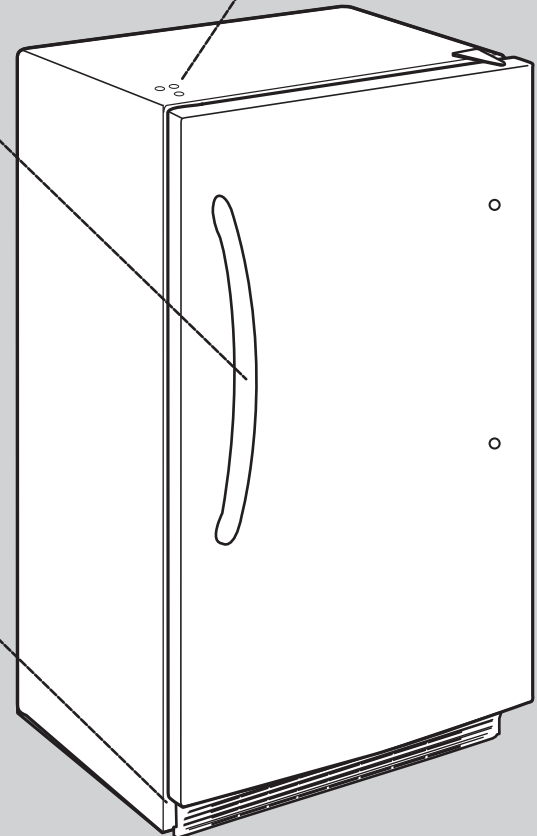
- A. Aro de refuerzo
- B. Manija
- C. Tornillos prisioneros



- A. Tapones para orificios de bisagras del gabinete



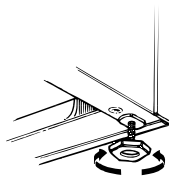
- A. Pasador de bisagra
- B. Tornillos de cabeza hexagonal de $\frac{3}{8}$ " para bisagras



Nivelación del congelador y cierre de las puertas

Estilo 1: sin rejilla

1. Ubique las dos patas niveladoras delanteras que están pegadas con cinta adhesiva entre los materiales de empaque.
2. Atornille estas patas en los orificios delanteros en la base del congelador. La parte trasera del congelador se apoya en los dos soportes fijos.
3. Regule las patas niveladoras delanteras lo suficiente como para separar el gabinete del suelo.
4. Coloque una herramienta para nivelar en la parte superior del congelador, primero de lado a lado y luego de adelante hacia atrás. Gire la pata hacia la izquierda para levantar una esquina. Gire la pata en sentido horario para bajar una esquina.
5. Repita el paso 4 hasta que el congelador quede nivelado.
6. Después de haber llenado el congelador con alimentos, vuelva a verificar con un nivel, como en el paso 4.



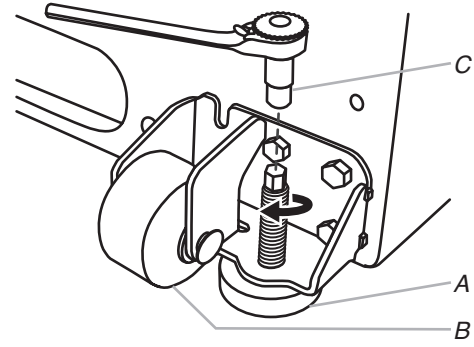
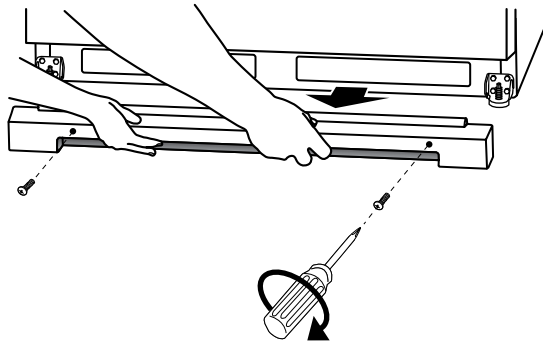
Estilo 2: con rejilla

El congelador tiene dos patas delanteras regulables, una a cada lado. La parte trasera del congelador se apoya en los dos rodillos fijos. La rejilla de la base cubre los conjuntos de las patas con freno regulables y los rodillos ubicados en la base del refrigerador debajo de la puerta. Antes de hacer cualquier ajuste, quite la rejilla de la base y traslade el congelador hasta su ubicación final.

Herramientas necesarias: llave para tuercas hexagonal de $\frac{1}{4}$ ", destornillador Phillips

1. Quite los tornillos de la rejilla de la base. Tome la rejilla con firmeza y tire de ella hacia usted. Abra la puerta del congelador para tener acceso a las patas con freno.

NOTA: Para permitir que el congelador ruede con mayor facilidad, gire en sentido antihorario las patas con freno para elevarlas. Los rodillos delanteros tocarán el piso.



A. Pata con freno
B. Rodillo delantero

2. Mueva el congelador a su ubicación final.
3. Baje las patas con freno girándolas en sentido horario hasta que los rodillos queden separados del piso y ambas patas con freno estén apretadas contra el piso. Esto evita que el congelador ruede hacia adelante cuando se abra la puerta del congelador.
- IMPORTANTE:** Si necesita hacer otros ajustes con las patas con freno, deberá girarlas por igual para mantener nivelado el refrigerador.
4. Cerciórese de que la puerta se cierre con facilidad. Si está satisfecho con la abertura y el cierre de la puerta, pase por alto la sección que sigue. Sin embargo, si la puerta no se cierra con facilidad o se abre de golpe, regule la inclinación.

Cómo regular la inclinación del gabinete:

NOTA: Para quitar un poco de peso de las patas con freno, haga que alguien empuje contra la parte superior del congelador. Esto permite girarlas con mayor facilidad. Abra la puerta del congelador. Use una llave para tuercas hexagonal de 1/4" para girar ambas patas con freno en sentido horario por igual. Esto hará que el frente del refrigerador se eleve. Es posible que se requieran varias vueltas para lograr que la puerta se cierren con más facilidad.

5. Asegúrese de que el congelador esté estable. Si parece inestable o rueda hacia adelante cuando se jala la puerta para abrirla, regule las patas con freno.

Para estabilizar el refrigerador:

- Abra la puerta del congelador. Con una llave hexagonal de 1/4", gire ambas patas con freno en sentido horario por igual hasta que queden ajustadas contra el piso. Verifique de nuevo. Si no está satisfecho, siga regulando las patas con freno girando el tornillo media vuelta hasta que el congelador no ruede hacia adelante cuando se abra la puerta.
6. Para volver a colocar la rejilla de la base, alinee los extremos de la rejilla con los conjuntos niveladores que hay a cada lado y encaje la rejilla a presión en su lugar. Vuelva a instalar los tornillos Phillips.

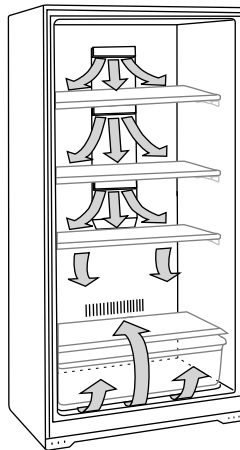
FUNCIONAMIENTO DEL CONGELADOR

Cómo asegurar la debida circulación de aire

Para asegurarse de la temperatura adecuada, debe permitir un flujo de aire apropiado en el congelador. Como se muestra en la ilustración, el aire frío entra por la pared del congelador y se mueve hacia abajo. Después, el aire vuelve a circular a través del orificio que está cerca de la base.

No bloquee estos orificios de ventilación con paquetes de alimentos. Si los orificios de ventilación están bloqueados, se obstruirá el flujo del aire y se pueden producir problemas de temperatura y humedad.

IMPORTANTE: Para evitar la transferencia de olores y la deshidratación de los alimentos, envuelva o tape bien los alimentos.



Uso del control

El control de la temperatura está en la parte superior delantera del compartimiento del congelador.

Control de temperatura

Para su comodidad, el control de temperatura ha sido prefijado de fábrica. Cuando instale inicialmente el congelador, asegúrese de que el control siga fijado en el ajuste recomendado, como se muestra.



IMPORTANTE:

- El ajuste recomendado se diseñó para mantener la temperatura aproximadamente a 0 °F (-17,8 °C), en condiciones de funcionamiento normales.
- Deje que el congelador se enfríe durante 6 a 8 horas antes de llenarlo con alimentos congelados.

- Cuando encienda el congelador por primera vez, el compresor funcionará constantemente hasta que se haya enfriado el congelador. Puede tardar hasta 6 u 8 horas (o más), según la temperatura ambiente y la cantidad de veces que se abra la puerta del congelador. Después de que el congelador se haya enfriado, el compresor encenderá y apagará, según se necesite, para mantener el congelador a la temperatura correcta.
- Es posible que la parte exterior del congelador esté tibia al tacto. Eso es normal. El propósito del diseño del congelador y su función principal es extraer el calor de los paquetes y del espacio de aire dentro del congelador. El calor se transporta al aire de la habitación, haciendo que el exterior del congelador se sienta tibio al tacto.

Cómo ajustar el control

Si necesita ajustar la temperatura del compartimiento del congelador, presione el botón TEMP SETTING (Ajuste de temperatura) para que el ajuste de temperatura deseado aparezca del símbolo del copo de nieve a la izquierda (menos frío) al símbolo del copo de nieve a la derecha (más frío).

NOTA: No regule el control en más de un punto por vez, excepto cuando encienda el refrigerador. Espere 24 horas entre los ajustes para que se estabilice la temperatura.

Encendido/apagado del enfriamiento

El congelador no enfriará cuando el enfriamiento esté apagado.

Para apagar el enfriamiento, mantenga presionado el botón TEMP SETTING (Ajuste de temperatura) durante 3 segundos. Cuando está apagado (OFF), ninguna de las luces del panel de control está iluminada. El foco de luz principal del congelador seguirá funcionando.

Para encender el enfriamiento, mantenga presionado el botón TEMP SETTING (Ajuste de temperatura) durante 3 segundos. Cuando el enfriamiento está encendido, las luces del panel de control están iluminadas.

Congelado rápido

Use esta característica antes de agregar grandes cantidades de alimentos sin congelar. Para una calidad óptima de los alimentos, no exceda 3 lb (1.361 g) por pie cúbico (28,32 L) de espacio del congelador.

Para activar el congelador rápido, presione el botón TEMP SETTING (Ajuste de temperatura) hasta que todas las posiciones con el símbolo del cristal de nieve se iluminen simultáneamente.

El congelador permanecerá en el ajuste de congelado rápido durante 24 horas después de alcanzar la temperatura extrabaja. Una vez transcurrido ese tiempo, el congelador volverá al ajuste de temperatura anterior. Para apagar manualmente el congelado rápido, presione el botón TEMP SETTING (Ajuste de temperatura) para seleccionar el ajuste de temperatura deseado del símbolo del copo de nieve a la izquierda (menos frío) al símbolo del copo de nieve a la derecha (más frío).

Alerta de temperatura excesiva (en algunos modelos)

La alerta de temperatura excesiva le indica si la temperatura del congelador se ha elevado a 19 °F (-7 °C) o más. Esta característica de alerta emitirá un tono de alerta continuo y hará destellar reiteradamente una luz roja en el panel de control. Para apagar el tono, presione una vez el botón TEMP SETTING (Ajuste de temperatura) en el panel de control. Al presionar el botón TEMP SETTING (Ajuste de temperatura), la luz roja también deja de destellar reiteradamente y queda encendida de forma permanente. La luz roja permanecerá encendida hasta que la temperatura del congelador sea inferior a 19 °F (-7 °C).

NOTA: Si la luz roja del panel de control destella reiteradamente pero el tono de alerta no suena, significa que se produjo una condición de temperatura excesiva pero que después la temperatura del congelador volvió a ser inferior a 19 °F (-7 °C).

Para apagar el indicador de la luz roja de esta condición, presione una vez el botón TEMP SETTING (Ajuste de temperatura) en el panel de control.

Alarma de puerta entreabierta (en algunos modelos)

La alarma de puerta entreabierta indica que la puerta del congelador ha estado abierta durante 5 minutos o más y está funcionando el enfriamiento. Esta característica de alarma emitirá un tono de alerta que se repetirá cada 2 minutos. Cierre la puerta para apagar el tono. La característica se restablecerá y se reactivará cuando se deje nuevamente abierta la puerta durante 5 minutos.

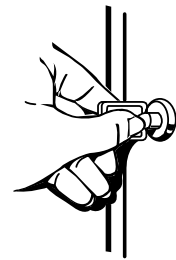
NOTA: Para silenciar el tono de alerta mientras mantiene la puerta abierta, por ejemplo mientras limpia el interior del congelador, presione el botón TEMP SETTING (Ajuste de temperatura) en el panel de control. El tono de alerta se apagará temporalmente.

Cerradura con expulsión de llave (en algunos modelos)

Para trabar o destrabar el congelador, debe sostener la llave en la cerradura mientras la da vuelta. La cerradura tiene un mecanismo de resorte, de manera que la llave no puede dejarse en la cerradura.

Si se pierde la llave, póngase en contacto con su distribuidor para obtener una de repuesto. Cuando solicite una llave de repuesto, siempre proporcione el número del modelo y de la serie del congelador.

NOTA: Guarde la llave fuera del alcance de los niños. No la conserve cerca del congelador/refrigerador.



Fábrica de hielo (en algunos modelos)

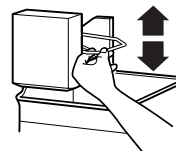
Para encender y apagar (On/Off) la fábrica de hielo

NOTA: No fuerce el brazo de control de alambre hacia arriba o hacia abajo.

- Para poner a funcionar la fábrica de hielo, sencillamente baje el brazo de control de alambre.

NOTA: La fábrica de hielo tiene apagado automático. A medida que se produce el hielo, los cubitos de hielo llenan el depósito para hielo y éstos levantarán el brazo de control de alambre a la posición de Off (Apagado - brazo elevado).

- Para apagar la fábrica de hielo manualmente, levante el brazo de control de alambre a la posición de Off (Apagado - brazo elevado) hasta que escuche el chasquido para cerciorarse de que la fábrica de hielo se ha apagado.



Velocidad de producción de hielo

La fábrica de hielo deberá producir aproximadamente entre 7 y 9 lotes de hielo en un período de 24 horas. Si el hielo no se fabrica suficientemente rápido, presione el botón TEMP SETTING (Ajuste de temperatura) para que aparezca el siguiente ajuste más frío. Espere 24 horas y si es necesario, ajuste el control de temperatura al ajuste máximo; espere 24 horas entre cada aumento.

Recuerde

- Espere 24 horas para la producción del primer lote de hielo. Deseche de los tres primeros lotes de hielo producidos.
- La calidad del hielo dependerá de la calidad del agua que suministre a su fábrica de hielo. Evite la conexión de la fábrica de hielo a un suministro de agua ablandada. Las sustancias químicas utilizadas para ablandar el agua (como la sal) pueden dañar componentes de la fábrica de hielo y producir hielo de calidad deficiente. Si no se puede evitar el uso de un suministro de agua blanda, asegúrese de que el ablandador de agua esté funcionando correctamente y que goce de un buen mantenimiento.
- No guarde nada encima de la fábrica de hielo o en el depósito de hielo.

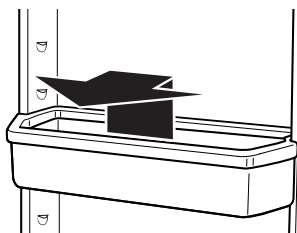
Características del congelador

Este manual cubre varios modelos diferentes. El congelador que usted adquirió puede tener algunas o todas las características que aparecen a continuación. Es posible que la ubicación de las características no coincida con la de su modelo.

Recipiente de la puerta

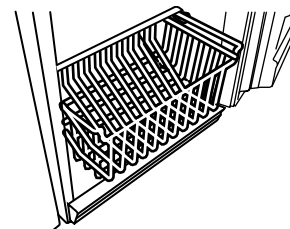
Para quitar y volver a colocar el recipiente:

1. Para retirar el recipiente, incline el frente hacia adelante y deslícelo hacia afuera.
2. Para volver a colocar el recipiente, deslícelo hacia adentro encima del soporte deseado e inclínelo nuevamente hasta colocarlo en su lugar.



Canasta de almacenamiento (en algunos modelos)

La canasta deslizable proporciona un espacio separado para el almacenaje para los artículos que son difíciles de guardar en los estantes del congelador. Para sacar la canasta, tire hacia fuera y levántela.



Compuerta de almacenamiento (en algunos modelos)

Para retirar la compuerta de almacenamiento:

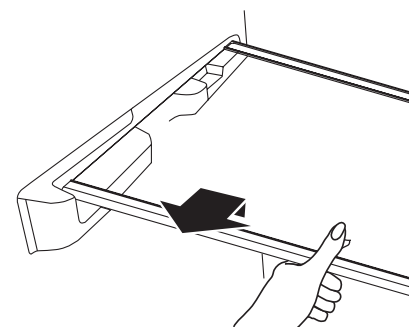
1. Levante ligeramente la parte superior de la compuerta para sacarla de los soportes.
2. Vuelva a colocar la compuerta en su posición original. Baje la compuerta hasta dentro de los soportes.

Estantes del congelador

Guarde los alimentos similares juntos y ajuste los estantes para que se adapten a las diferentes alturas. Esto reduce el tiempo que la puerta del refrigerador está abierta y ahorra energía.

Para quitar y volver a colocar un estante:

1. Para retirar el estante, levante en sentido vertical y tire del estante hacia afuera.
2. Para volver a colocar el estante, descíndalo sobre los soportes de la pared lateral.



CUIDADO DEL CONGELADOR

Limpieza del congelador sin escarcha

⚠ ADVERTENCIA



Peligro de Explosión

Use un limpiador no inflamable.

No seguir esta instrucción puede ocasionar la muerte, explosión o incendio.

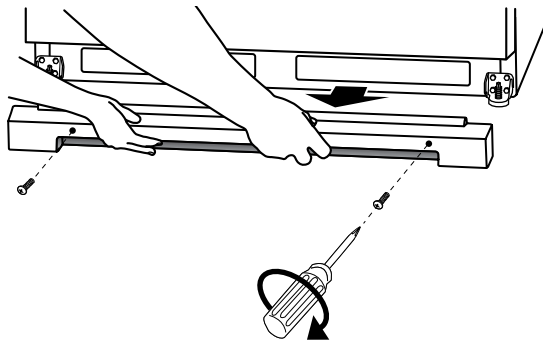
La frase "sin escarcha" significa que nunca hay que descongelar el congelador. La escarcha se quita por medio del movimiento de aire y la recolección de la humedad y depositándola en el serpentín de enfriamiento. El serpentín de enfriamiento se calienta periódicamente lo suficiente como para derretir la escarcha, la cual fluye hacia abajo hasta la bandeja de drenaje (ubicada detrás de la rejilla de la base), donde se evapora.

La limpieza completa debe hacerse por lo menos una vez al año.

1. Mantenga presionado TEMP SETTING (Ajuste de temperatura) durante 3 segundos para apagar el enfriamiento.
2. Desenchufe el congelador o desconecte el suministro de energía.

3. Saque todos los alimentos congelados. Envuelva los alimentos congelados en varias capas de papel de periódico y cúbralos con una frazada. Los alimentos se mantendrán congelados por varias horas. También puede guardar los alimentos congelados en una conservadora, un refrigerador-congelador adicional o en un lugar fresco.
4. Quite todas las partes desmontables del interior, como estantes, recipientes, etc.
5. Lave a mano, enjuague y seque meticulosamente todas las partes desmontables y las superficies interiores. Use una esponja limpia o un paño liso y un detergente suave en agua tibia.
 - No use productos de limpieza abrasivos o ásperos, como rociadores para ventanas, productos de limpieza para pulir, líquidos inflamables, ceras para limpieza, detergentes concentrados, blanqueadores o productos de limpieza que contengan productos derivados del petróleo en las piezas plásticas, los revestimientos interiores y de las puertas ni en las juntas. No use toallas de papel, estropajos para fregar u otros utensilios de limpieza ásperos, porque pueden rayar o dañar los materiales.
 - Para ayudar a eliminar olores, puede lavar las paredes interiores con una mezcla de agua tibia y bicarbonato de sodio (2 cucharadas en un cuarto de galón [26 g en 0,95 L] de agua).
6. Vuelva a colocar las partes desmontables.

7. Use el método de limpieza adecuado para el acabado exterior de su congelador.
Metal pintado: Limpie el exterior con una esponja limpia o un paño liso y un detergente suave en agua tibia. No use productos de limpieza abrasivos o ásperos ni productos de limpieza diseñados para acero inoxidable. Seque meticulosamente con un paño suave.
8. Limpie los serpentines del condensador regularmente. Quizás necesite limpiar los serpentines cada dos meses. Esto puede ayudar a ahorrar energía.
 - Abra la puerta del congelador y quite los 2 tornillos Phillips de la rejilla de la base y tire de la rejilla hacia usted.
 - Use una aspiradora con extensión para limpiar los serpentines del condensador siempre que estén sucios o polvorientos.

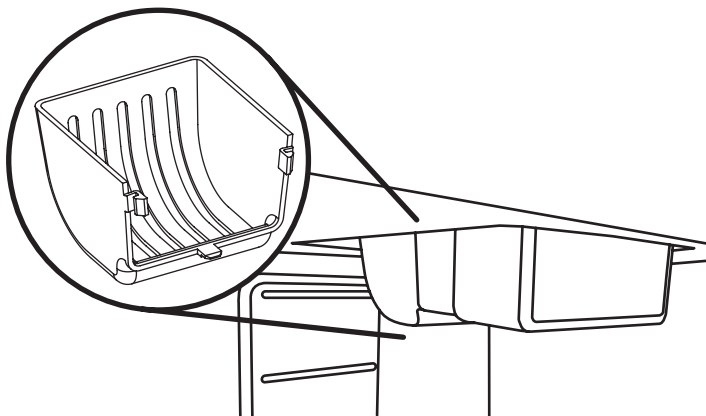


- Para volver a colocar la rejilla de la base, alinee los extremos de la rejilla con los conjuntos niveladores que hay a cada lado y encaje la rejilla a presión en su lugar. Vuelva a instalar los tornillos.
9. Vuelva a colocar todos los alimentos congelados.
 10. Enchufe el congelador o vuelva a conectar el suministro eléctrico.
 11. Regule el control de temperatura al ajuste deseado. Vea "Uso del control".

Cómo cambiar el foco

NOTA: No todos los focos para electrodomésticos son adecuados para su congelador. Asegúrese de reemplazar el foco con otro foco para electrodomésticos del mismo tamaño, forma y vatiaje.

1. Desenchufe el congelador o desconecte el suministro de energía.
2. Para retirar el estante de luz, oprima la lente de los lados, empuje hacia atrás y tire hacia abajo.



3. Cambie el foco con uno para electrodomésticos de 40 vatios como máximo o con un LED clasificado para lugares húmedos/mojados.

NOTA: Algunos focos LED de reemplazo no se recomiendan para ambientes húmedos/mojados. Los compartimientos con alimentos frescos del refrigerador y del congelador se consideran ambientes húmedos/mojados. Lea y siga todas las instrucciones del envase del LED cuando reemplace el foco LED instalado de fábrica. Puede comprar un foco LED de reemplazo a un distribuidor autorizado.

4. Vuelva a colocar la protección de la luz.
5. Enchufe el congelador o vuelva a conectar el suministro eléctrico.

Cortes de corriente

Si no va a haber electricidad por 24 horas o menos, mantenga la puerta cerrada para ayudar a que los alimentos se mantengan fríos y congelados.

Si el corte de electricidad va a durar más de 24 horas, tome una de las siguientes medidas:

- Saque todos los alimentos congelados y guárdelos en una conservadora de comida congelada.
- Si no tiene una conservadora de alimentos, consuma todos los alimentos perecederos de inmediato.

RECUERDE: Un congelador lleno se mantiene frío por más tiempo que uno a medio llenar. Un congelador lleno de carne se mantiene frío por más tiempo que uno lleno de alimentos de pastelería. Si ve que los alimentos contienen cristales de hielo, se pueden volver a congelar, pero la calidad y el sabor pueden verse afectados. Si el alimento no está en buenas condiciones, descártelo.

Cuidado para la mudanza

Si va a mudar el congelador a una casa nueva, siga estos pasos para prepararlo para la mudanza:

1. Saque todos los alimentos congelados.
2. Desenchufe el congelador.
3. Retire todas las piezas desmontables, envuélvalas bien y asegúrelas con cinta adhesiva para que no se muevan y golpeen durante la mudanza.
4. Limpie exhaustivamente el congelador.
5. Use cinta adhesiva para fijar cerrado el congelador y para asegurar el cable eléctrico al gabinete.

Cuando llegue a la casa nueva, consulte las secciones "Cómo instalar el congelador" y "Funcionamiento del congelador" para obtener información sobre la instalación y el ajuste de los controles.

SOLUCIÓN DE PROBLEMAS

Pruebe primero las soluciones sugeridas aquí. Si necesita asistencia adicional o más recomendaciones que puedan ayudarle a evitar una llamada de servicio técnico, consulte la página de la garantía de este manual y escanee el código con su dispositivo móvil o visite www.whirlpool.com/product_help. En Canadá, visite <http://www.whirlpool.ca>.

Contáctenos por correo con sus preguntas o dudas a la dirección que aparece a continuación:

En los EE. UU.:

Whirlpool Brand Home Appliances
Centro para la eXperiencia del cliente
553 Benson Road
Benton Harbor, MI 49022-2692

En Canadá:

Whirlpool Brand Home Appliances
Customer eXperience Centre
200 – 6750 Century Ave.
Mississauga ON L5N 0B7

Incluya en su correspondencia un número de teléfono en el que se le pueda localizar durante el día.

Funcionamiento del congelador

ADVERTENCIA



Peligro de Choque Eléctrico

Conecte a un contacto de pared de conexión a tierra de 3 terminales.

No quite la terminal de conexión a tierra.

No use un adaptador.

No use un cable eléctrico de extensión.

No seguir estas instrucciones puede ocasionar la muerte, incendio o choque eléctrico.

ADVERTENCIA



Peligro de Explosión

Use un limpiador no inflamable.

No seguir esta instrucción puede ocasionar la muerte, explosión o incendio.

PROBLEMA	SOLUCIONES RECOMENDADAS
El congelador no funciona	Verifique que el congelador no esté funcionando en un ciclo de descongelado automático. Verifique que esté enchufado en un tomacorriente de 3 terminales con conexión a tierra. Verifique que el control de temperatura esté encendido. Reemplace el fusible o reposicione el cortacircuitos. NOTA: Si los problemas continúan, contacte a un electricista.
Las luces no funcionan	Verifique que esté enchufado en un tomacorriente de 3 terminales con conexión a tierra. Verifique que el foco de luz esté apretado en el receptáculo y que no esté quemado.
Hay agua en la bandeja de drenaje de descongelado	Es normal que caigan gotas de agua en la bandeja de drenaje cuando el congelador se esté descongelando. Cuando la humedad es alta, es normal que el agua de la bandeja recolectora tarde más en evaporarse.
El motor parece funcionar demasiado	Verifique que la puerta cierre correctamente. Descongele y limpie el congelador para eliminar el exceso de escarcha. Si se agrega gran cantidad de alimentos el congelador se calienta y debe funcionar más tiempo para volver a enfriarse. Si sucede esto, espere aproximadamente 6 a 8 horas para que el congelador alcance la temperatura correcta. Retire todo lo que necesite de una sola vez, mantenga los alimentos organizados y cierre la puerta lo más rápido posible. Revise que la junta de la puerta esté sellada en todo el perímetro. Si no es así, llame a una persona calificada o a un técnico. Verifique que el espacio alrededor del congelador cumpla con los requisitos de circulación de aire. Vea "Requisitos de ubicación". NOTA: Si no es ninguno de los casos anteriores, su nuevo congelador funcionará durante períodos más largos que el anterior debido al motor de alto rendimiento.

PROBLEMA	SOLUCIONES RECOMENDADAS
La temperatura está demasiado elevada	<p>Verifique que los orificios de ventilación estén despejados. Vea "Cómo asegurar la debida circulación del aire" para la ubicación de estos orificios.</p> <p>Retire todo lo que necesite de una sola vez, mantenga los alimentos organizados y cierre la puerta lo más rápido posible.</p> <p>Si se agrega gran cantidad de alimentos el congelador se caliente y debe funcionar más tiempo para volver a enfriarse.</p> <p>Verifique que el control de temperatura esté ajustado correctamente para las condiciones circundantes.</p>
La puerta no se cierra por completo o es difícil abrirla	<p>Verifique que no haya paquetes de alimentos que bloqueen la puerta.</p> <p>En algunos modelos, verifique que los estantes y la canasta se encuentren en la posición correcta.</p> <p>Verifique que las juntas estén limpias. Vea "Cuidado del congelador".</p> <p>Verifique que el congelador esté estable. Vea "Nivelación del refrigerador y cierre de las puertas".</p>
El congelador produce un sonido fuerte de zumbido/ chasquido	<p>Si el congelador se enchufó o encendió recientemente después de un descongelado o una mudanza, o si ha habido un corte de energía prolongado, apague la alarma de temperatura durante las próximas 24 horas.</p> <p>Agregar grandes cantidades de alimentos hace que se caliente el congelador. Pueden transcurrir varias horas para que el congelador recupere su temperatura normal. Apague la alarma de temperatura durante las próximas 24 horas.</p>

Producción de hielo

⚠ ADVERTENCIA



Peligro de Choque Eléctrico

Desconecte el suministro de energía antes de darle mantenimiento.

Vuelva a colocar todos los componentes y paneles antes de hacerlo funcionar.

No seguir estas instrucciones puede ocasionar la muerte o choque eléctrico.

PROBLEMA	SOLUCIONES RECOMENDADAS
La fábrica de hielo no produce hielo o produce muy poco	<p>Si la fábrica de hielo está recién instalada, espere 72 horas para que se inicie la producción plena de hielo.</p> <p>Verifique que el control de temperatura esté suficientemente frío.</p> <p>Verifique que el brazo de control de alambre esté en la posición On (Encendido, brazo hacia abajo).</p> <p>Asegúrese de que el suministro de agua esté adecuadamente conectado y abierto.</p> <p>Verifique que el brazo eyector no esté trabado por un cubo de hielo.</p> <p>Si se ha retirado una gran cantidad de hielo recientemente, espere 24 horas para producir más.</p> <p>NOTA: Si el problema no se debe a ninguna de las alternativas indicadas, puede haber un problema en la tubería de agua. Llame para solicitar servicio técnico.</p>

Calidad del hielo

PROBLEMA	SOLUCIONES RECOMENDADAS
El hielo tiene mal sabor, mal olor o un color grisáceo	Deseche los primeros lotes de hielo. Si hay un contenido de minerales inusualmente alto en el suministro de agua, es posible que se deba tratar el agua. Si hay acumulación de sarro, limpie el molde de la fábrica de hielo. Si los cubos de hielo han estado almacenados demasiado tiempo, deséchelos y fabrique un nuevo lote. Verifique que el congelador y el recipiente de hielo estén limpios.
Hielo delgado, blando o aglutinado	Si hay un contenido de minerales inusualmente alto en el suministro de agua, es posible que se deba tratar el agua. Si hay acumulación de sarro, limpie la fábrica de hielo. Si el hielo no se usa con regularidad, se derretirá en el recipiente y se aglutinará. Rompa los bloques con la palita de hielo provista.

GARANTÍA LIMITADA DE LOS ELECTRODOMÉSTICOS PRINCIPALES DE WHIRLPOOL®

ADJUNTE SU RECIBO AQUÍ. SE REQUIERE LA PRUEBA DE COMPRA PARA OBTENER SERVICIO BAJO LA GARANTÍA.

Tenga a mano la siguiente información cuando llame al Centro para la eXperiencia del cliente:

- Nombre, dirección y número de teléfono
- Número de modelo y de serie
- Una descripción clara y detallada del problema
- Prueba de compra incluido el nombre y la dirección del distribuidor o vendedor

SI NECESITA SERVICIO TÉCNICO:

1. Antes de contactarnos para obtener servicio, determine si el producto requiere reparación. Algunas consultas pueden atenderse sin servicio técnico. Tómese unos minutos para revisar la sección de Solución de problemas o Problemas y soluciones del Manual de uso y cuidado, escanee el código QR que se encuentra a la derecha para acceder a los recursos adicionales o visite www.whirlpool.com/product_help.
2. Todos los servicios bajo la garantía los brindan exclusivamente Prestadores autorizados de servicio de Whirlpool. Para EE.UU. y Canadá, dirija todas las solicitudes de servicio bajo la garantía a:

Centro para la eXperiencia del cliente de Whirlpool

En EE.UU., llame al 1-800-253-1301. En Canadá, llame al 1-800-807-6777.

Si usted se encuentra fuera de los cincuenta Estados Unidos o Canadá, póngase en contacto con su distribuidor autorizado de Whirlpool para determinar si corresponde otra garantía.



www.whirlpool.com/product_help

GARANTÍA LIMITADA DE UN AÑO

LO QUE ESTÁ CUBIERTO

Durante un año a partir de la fecha de compra, siempre y cuando este electrodoméstico principal haya sido instalado, mantenido y operado según las instrucciones adjuntas o provistas con el producto, Whirlpool Corporation o Whirlpool Canada LP (en lo sucesivo denominado "Whirlpool") se hará cargo del costo de las piezas especificadas de fábrica y del trabajo de reparación para corregir defectos en los materiales o en la mano de obra existentes en el momento de la compra de este electrodoméstico principal o, a su sola discreción, reemplazará el producto. En el caso de reemplazar el producto, su electrodoméstico estará cubierto por la garantía por el tiempo restante del período de garantía de la unidad original.

SU ÚNICO Y EXCLUSIVO RECURSO SEGÚN LOS TÉRMINOS DE ESTA GARANTÍA LIMITADA SERÁ EL DE REPARAR EL PRODUCTO SEGÚN SE ESTIPULA EN LA PRESENTE. El servicio deberá ser suministrado por una compañía de servicio designada por Whirlpool. Esta garantía limitada es válida solamente en Estados Unidos o en Canadá y se aplica solamente cuando el electrodoméstico principal se use en el país en el que se ha comprado. Esta garantía limitada entrará en vigor a partir de la fecha de la compra del consumidor original. Se requiere una prueba de la fecha de compra original para obtener servicio bajo esta garantía limitada.

LO QUE NO ESTÁ CUBIERTO

1. Uso comercial, no residencial o familiar múltiple o uso diferente del indicado en las instrucciones del usuario, del operador o de instalación publicadas.
2. Instrucción a domicilio sobre cómo usar el producto.
3. Servicio para corregir el mantenimiento o la instalación incorrecta del producto, la instalación que no esté de acuerdo con los códigos eléctricos o de plomería o corrección de plomería o instalación eléctrica doméstica (por ejemplo, instalación eléctrica, fusibles o mangueras de entrada de agua del hogar).
4. Piezas de consumo (por ejemplo, focos de luz, baterías, filtros de agua o de aire, soluciones de conservación, etc.).
5. Defectos o daños causados por el uso de piezas o accesorios no legítimos de Whirlpool.
6. Conversión del producto de gas natural o gas L.P.
7. Daño causado por accidente, uso indebido, abuso, incendio, inundación, actos fortuitos o el empleo de productos no aprobados por Whirlpool.
8. Reparaciones a piezas o sistemas para corregir el daño o los defectos del producto a causa de reparaciones por servicio no autorizado, alteraciones o modificaciones en el electrodoméstico.
9. Daños estéticos, incluyendo rayaduras, abolladuras, desportilladuras u otro daño al acabado del electrodoméstico a menos que el mismo sea debido a defectos en los materiales o la mano de obra y se le informe a Whirlpool en un lapso de 30 días.
10. Decoloración, herrumbre u oxidación de las superficies producto de entornos corrosivos o cáusticos que incluyen, entre otras cosas, altas concentraciones de sal, humedad elevada o exposición a productos químicos.
11. Pérdida de comida o medicamentos debido a la falla del producto.
12. Recogida o entrega. Este producto está destinado para ser reparado en su hogar.
13. Gastos de viaje o de transporte para prestar servicio en lugares remotos en los cuales no haya disponible un técnico de servicio autorizado por Whirlpool.
14. Remoción o reinstalación de electrodomésticos en lugares inaccesibles o dispositivos empotrados (por ejemplo, adornos, paneles decorativos, pisos, armarios, islas, mostradores, paredes, etc.) que interfieran con el servicio, la remoción o el reemplazo del producto.
15. Servicio técnico o piezas para electrodomésticos con números de serie/modelo originales removidos, alterados o no identificados con facilidad.

El costo de la reparación o del reemplazo bajo estas circunstancias excluidas correrá por cuenta del cliente.

EXCLUSIÓN DE GARANTÍAS IMPLÍCITAS

LAS GARANTÍAS IMPLÍCITAS, INCLUYENDO CUALQUIER GARANTÍA IMPLÍCITA DE COMERCIABILIDAD O GARANTÍA IMPLÍCITA DE CAPACIDAD PARA UN PROPÓSITO PARTICULAR, SERÁN LIMITADAS A UN AÑO O AL PERÍODO MÁS CORTO PERMITIDO POR LEY. Algunos estados y provincias no permiten la limitación de la duración de las garantías implícitas de comerciabilidad o capacidad, de modo que la limitación arriba indicada quizá no le corresponda. Esta garantía le otorga derechos legales específicos y es posible que usted tenga también otros derechos que varían de un estado a otro o de una provincia a otra.

EXCLUSIÓN DE DECLARACIONES FUERA DE LA GARANTÍA

Whirlpool no hace declaraciones acerca de la calidad, durabilidad o necesidad de servicio técnico o reparación de este electrodoméstico principal aparte de las declaraciones incluidas en esta garantía. Si usted desea una garantía con una duración más prolongada o más completa que la garantía limitada que se incluye con este electrodoméstico principal, deberá dirigirse a Whirlpool o a su distribuidor acerca de la compra de una garantía extendida.

LIMITACIÓN DE RECURSOS; EXCLUSIÓN DE DAÑOS INCIDENTALES Y CONSECUENTES

SU ÚNICO Y EXCLUSIVO RECURSO SEGÚN LOS TÉRMINOS DE ESTA GARANTÍA LIMITADA SERÁ EL DE REPARAR EL PRODUCTO SEGÚN SE ESTIPULA EN LA PRESENTE. WHIRLPOOL NO SE RESPONSABILIZARÁ POR DAÑOS INCIDENTALES O CONSECUENTES. Algunos estados y provincias no permiten la exclusión o limitación de daños incidentales o consecuentes, de modo que estas limitaciones y exclusiones quizá no le correspondan. Esta garantía le otorga derechos legales específicos y es posible que usted tenga también otros derechos que varían de un estado a otro o de una provincia a otra.

