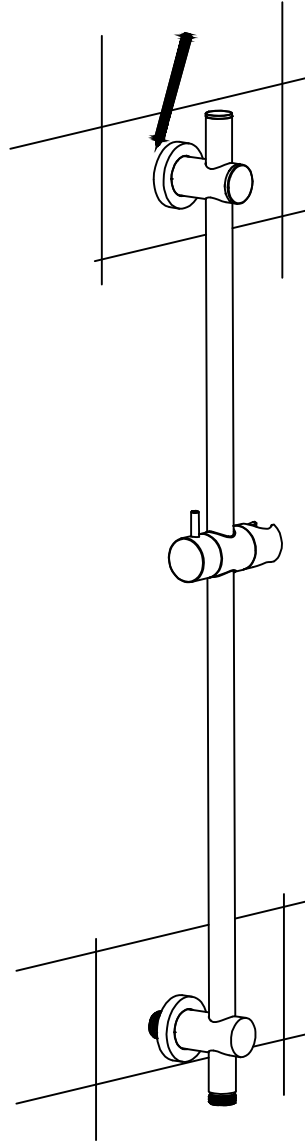


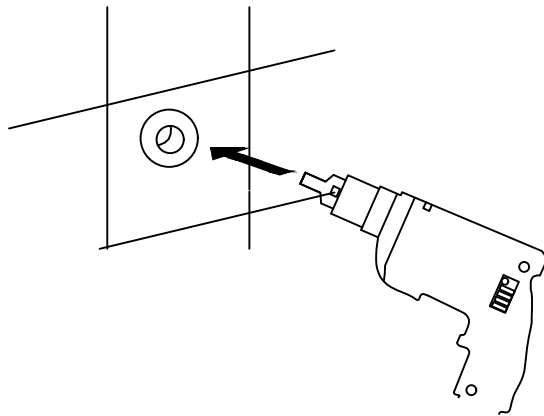
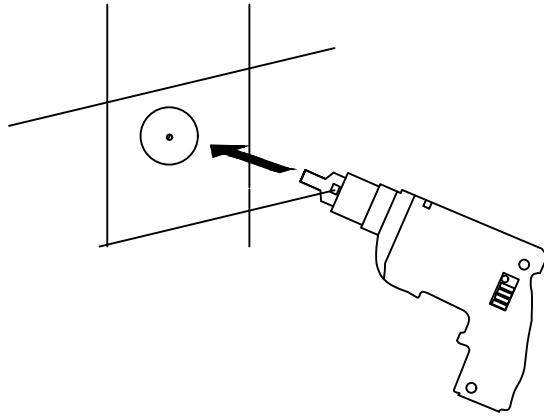
## Step 1.

If you have any questions, please feel free to contact us.  
Email: [lowesteam@animalife.com](mailto:lowesteam@animalife.com)



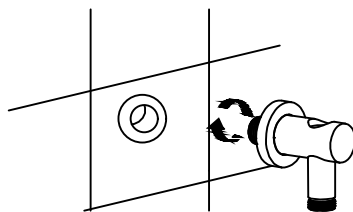
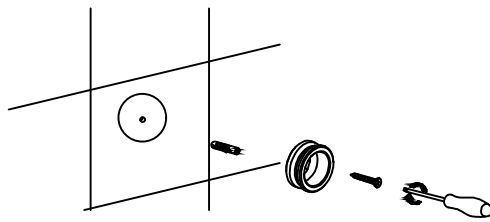
**Description:** Fix the slide bar on the wall to be installed, use a pencil to draw the positions of the upper fixing seat and the under water outlet seat.

## Step 2.



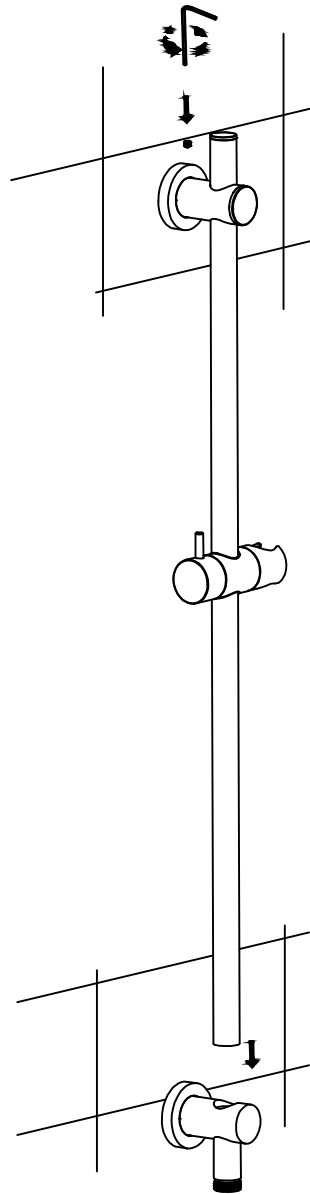
Description: Take down the slide bar, use an electric drill to drill fixed holes and water pipe outlet holes according to the position.

## Step 3.



Description: Drive the screw pellets into the hole and tighten the screw with a screwdriver. Lock the fixing seat on the wall, screw the outlet seat into the outlet pipe and correct the direction.

## Step 4.



Description: Install the slide bar into the fixing seat and the water outlet seat, and fix the slide bar with a hexagonal screwdriver.