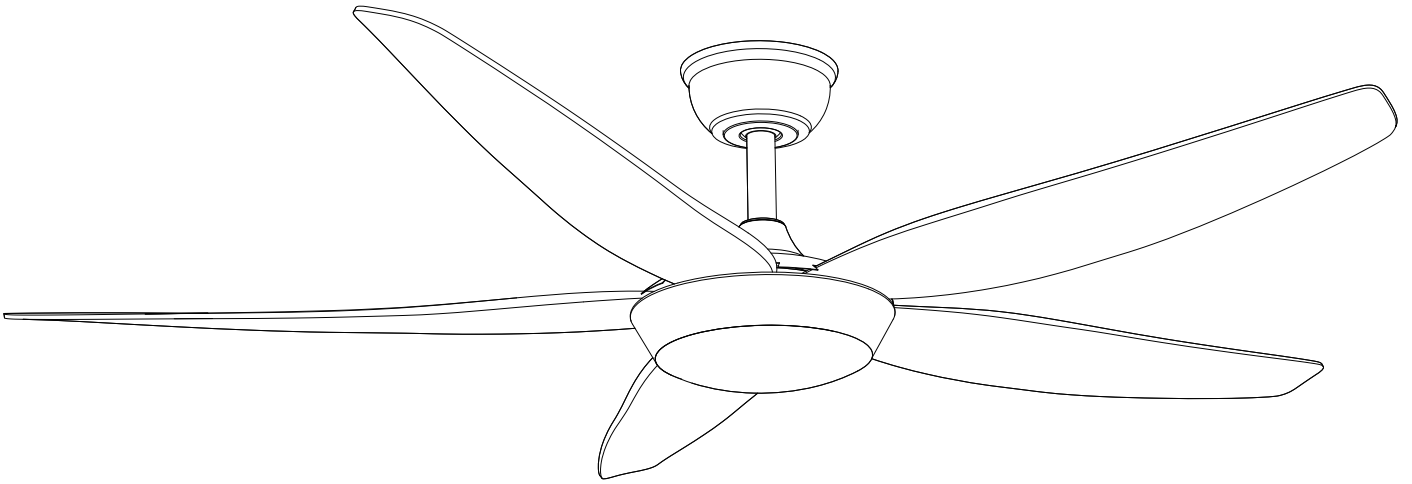


# Assembly Instructions



---

Ceiling fan

Model No.  
THCL-TD0047

---

# Contact Us

## We're here to help you.



Your satisfaction is our top priority. If you encounter any issues with this product, such as missing or damaged parts, we're here to help. Please retain the original packaging and take photos of the packaging and the product, then contact us as soon as possible.

## Warm Tips

1. Carefully read these instructions and keep them for future reference.
2. Check the parts list and confirm everything's there before starting assembly.
3. When assembling, put all parts on a soft, smooth surface like a carpet to avoid scratches.
4. Don't fully tighten screws until all parts are confirmed in place to avoid misalignment.

# Safety Information

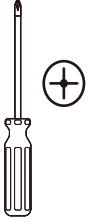
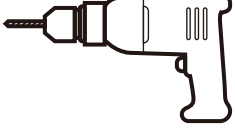
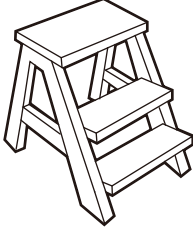


- To reduce the risk of electric shock, always turn off the power at the circuit breaker or fuse box before beginning installation, maintenance, or cleaning.
- All wiring must comply with the National Electrical Code (ANSI/NFPA 70-1999) and all applicable local electrical codes. For safety and to prevent damage, installation must be performed by a licensed electrician. The manufacturer is not responsible for any damage, malfunction, or injury resulting from improper installation, unauthorized modification, or failure to follow these instructions.
- The outlet box and supporting structure must be securely installed and capable of safely supporting the full weight of the ceiling fan. Use only UL-listed outlet boxes clearly marked "Suitable for Fan Support."
- After installation, the distance between the trailing edge of the blades and the floor must be at least 7 ft (2.1 m) to ensure safe operation.
- Do not operate the reversing switch or place any objects in the path of the blades while the fan is running to avoid collision hazards.
- During installation or cleaning, use caution to avoid bending the blade brackets or touching motor components, which may cause injury or equipment damage.
- This fan must not be used with any solid-state speed control device, as doing so may cause a fire hazard or motor damage.
- Before installing the light fixture, double-check that the power supply has been turned off to prevent electric shock.

## Precautions

- Do not throw objects, jump, or hold infants beneath the ceiling fan while it is operating. Contact with the rotating blades may cause injury or damage.
- Avoid running the ceiling fan continuously for extended periods. It is recommended to turn it off for a short break after every 2-3 hours of use to prevent the motor from overheating.
- Install the ceiling fan away from flammable materials such as curtains, paper, or other combustible items to avoid potential safety hazards.
- If the ceiling fan shows signs of abnormal heat, smoke, unusual odors, or other irregularities, immediately disconnect the power supply, stop using the fan, and contact qualified service personnel. Do not attempt to disassemble or repair the motor yourself.
- This product is intended for indoor use in dry environments only. Avoid using it in humid, high-temperature, or direct sunlight conditions, as these may shorten the product's service life.

# Pre-installation Preparation

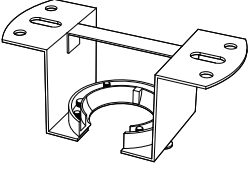
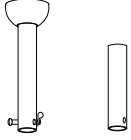



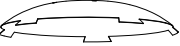
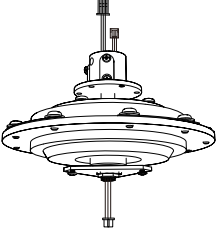
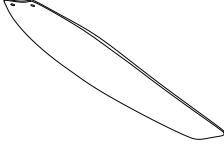


## Required Tools

				
Philips screwdriver	Impact drill	Step ladder	Wire stripper	Electrical tape

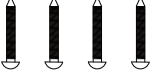

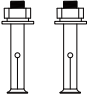

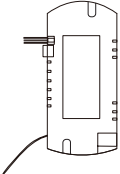
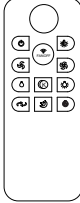
## Pre-installation Inspection

- 1 After unpacking, please check that all parts are included and free from damage . If you find any issues, contact our after-sales service
- 2 Before installation, ensure that all screws and fasteners are properly tightened, and verify that the ceiling structure at the mounting location is stable and capable of supporting the ceiling fan's weight.
- 3 When using tools such as screwdrivers, handle them carefully and apply controlled force and angle to avoid causing impact damage, scratches, or dents to the wooden components.
- 4 This device is designed for use with 100V – 120V AC, 60Hz power systems. Operating at non-specified voltage or frequency may cause product damage, short circuits, or even pose risks of electric shock and fire.

## Parts List

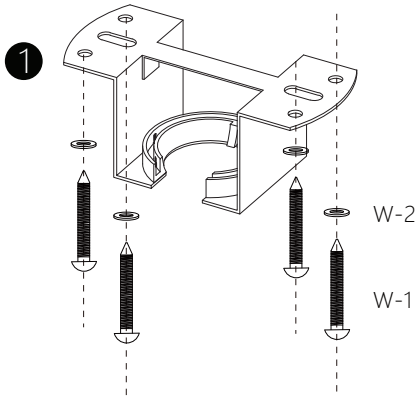
 <p><b>1</b> 1 pc</p>	 <p><b>2</b> 2 pc</p>	 <p><b>3</b> 1 pc</p>	 <p><b>4</b> 1 pc</p>	 <p><b>5</b> 1 pc</p>
 <p><b>6</b> 1 pc</p>	 <p><b>7</b> 1 pc</p>	 <p><b>8</b> 5 pc</p>	 <p><b>9</b> 1 pc</p>	 <p><b>10</b> 1 pcs</p>

## Hardware List

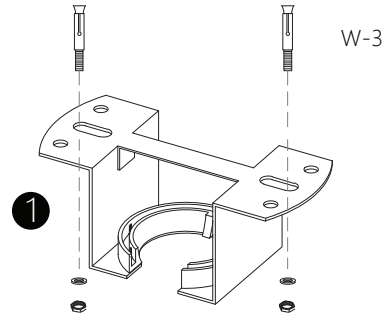
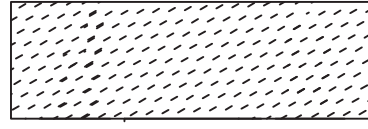
 <p>W-1 4 pcs</p>	 <p>W-2 4 pcs</p>	 <p>W-3 2 pcs</p>	 <p>W-4 3 pcs</p>	 <p>W-5 1 pcs</p>	 <p>W-6 1 pcs</p>
--	--	--	--	---	--

1

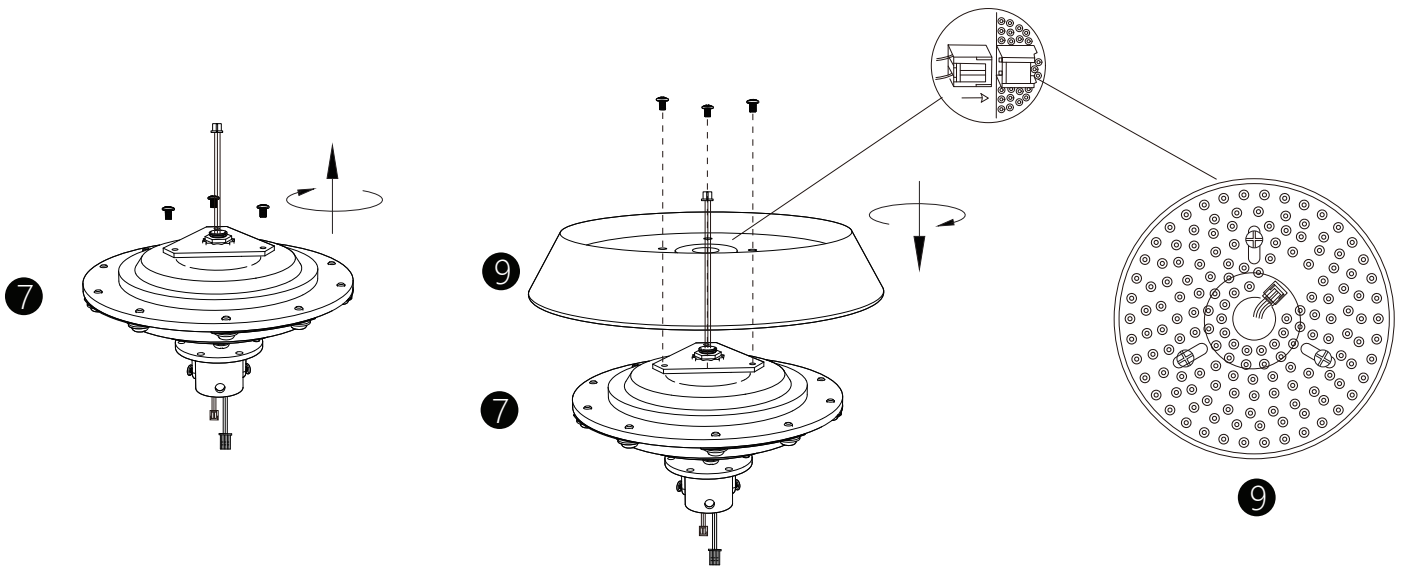
WOODEN CEILING



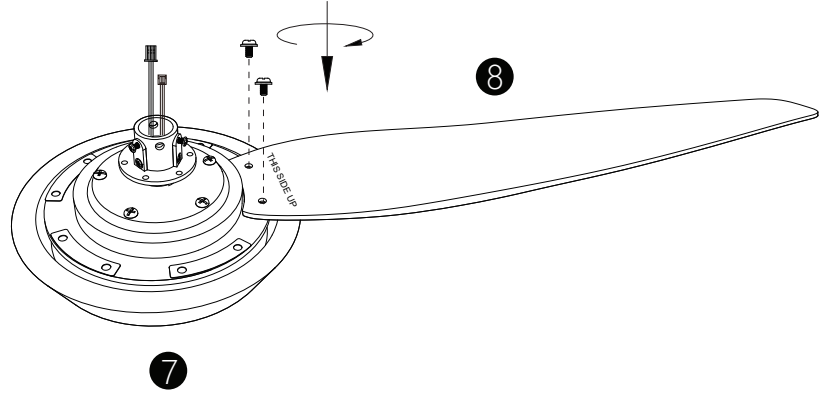
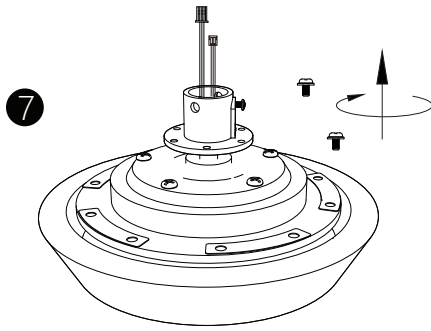
CONCRETE CEILING



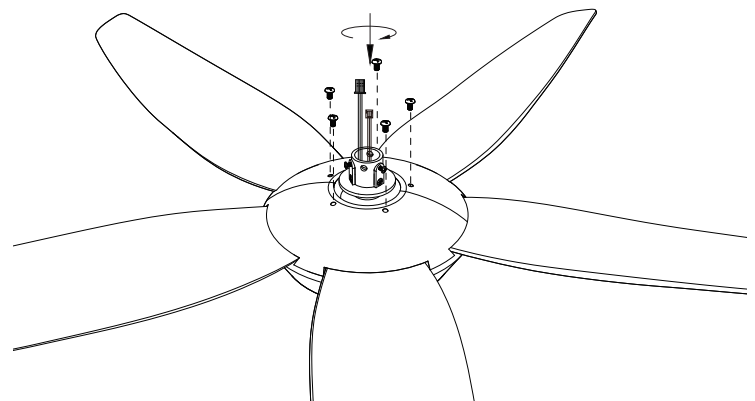
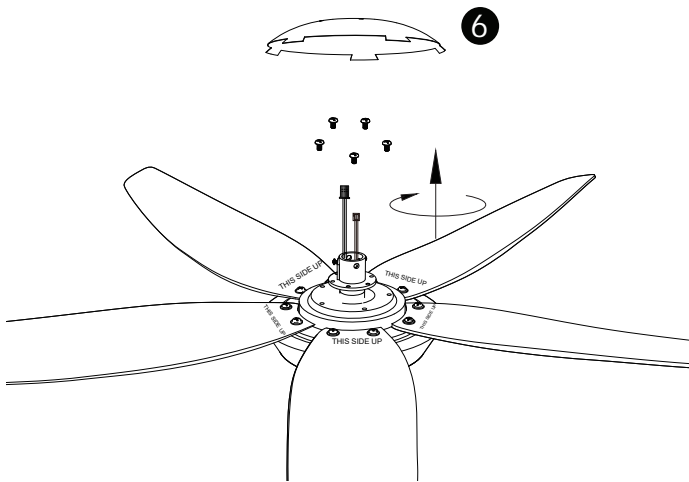
2



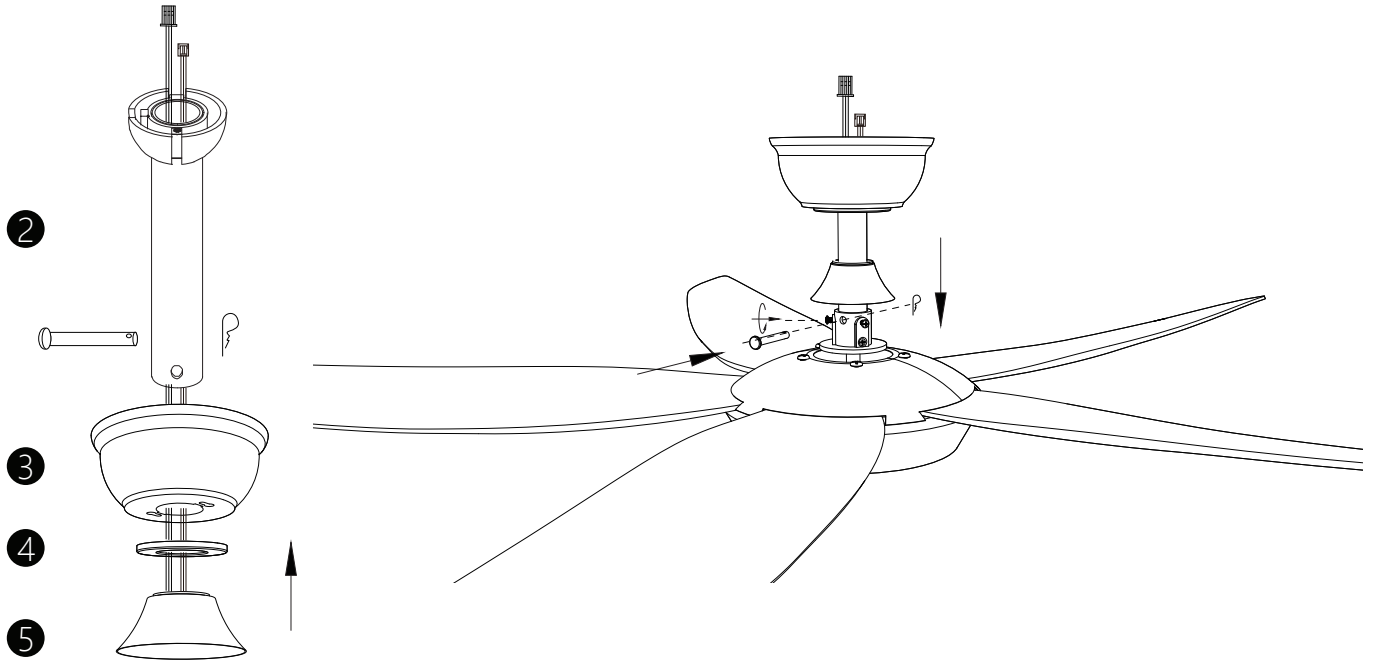
3



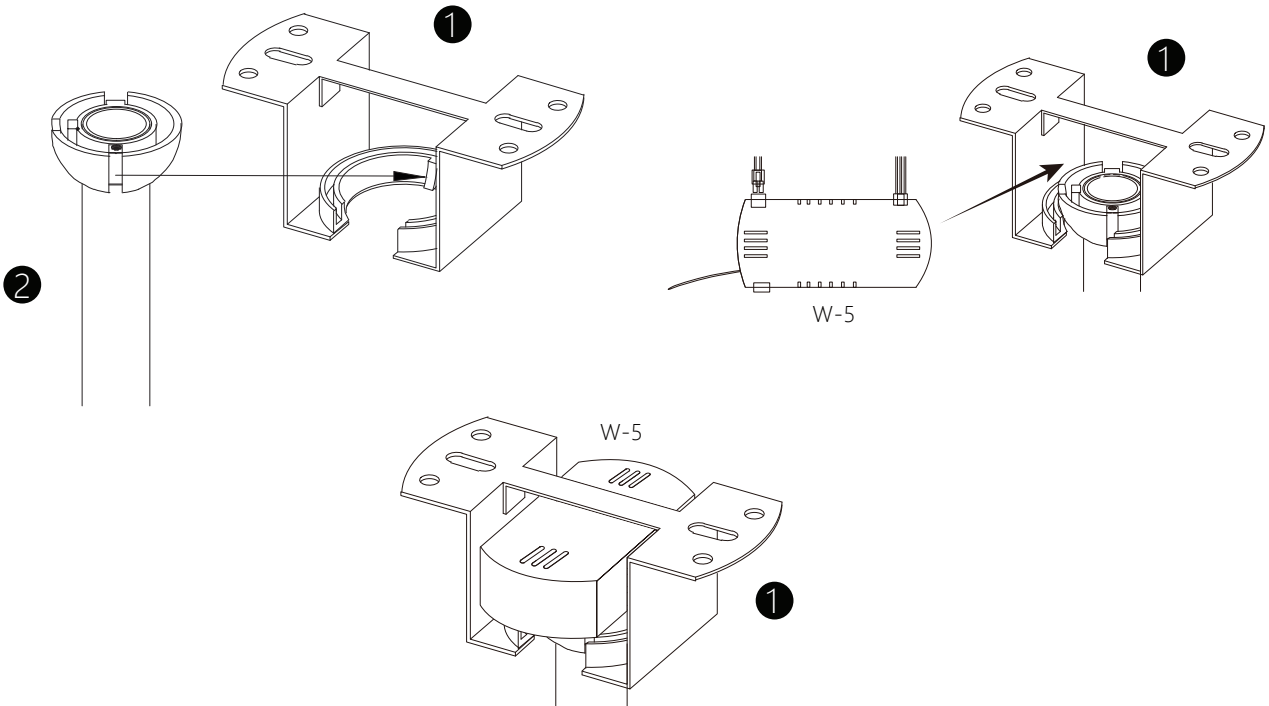
4



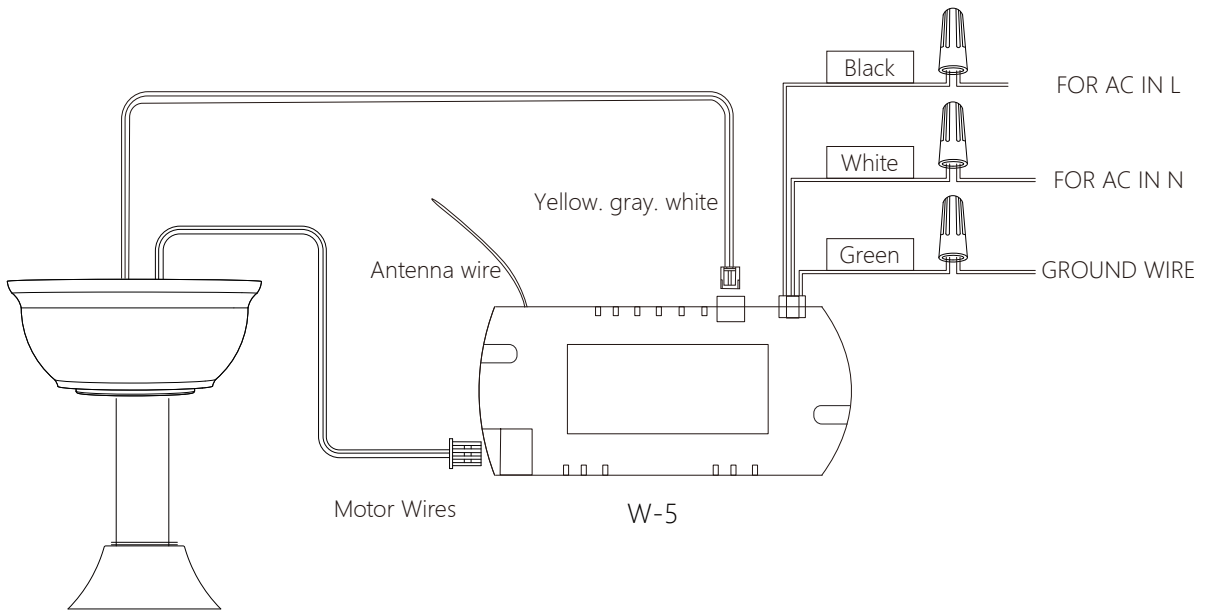
5



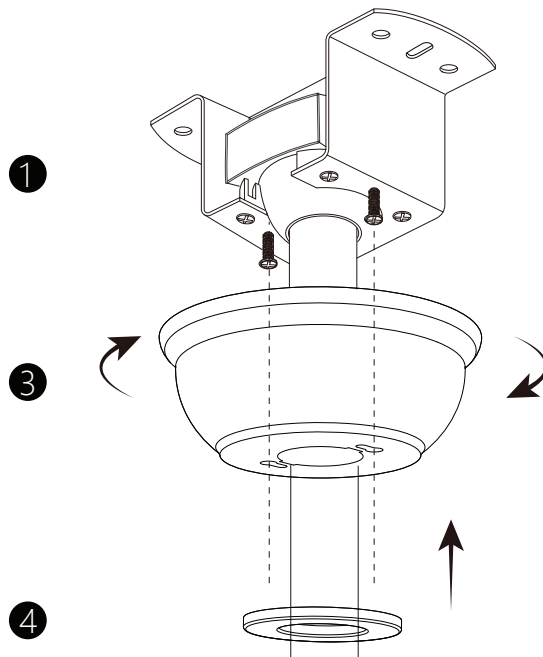
6



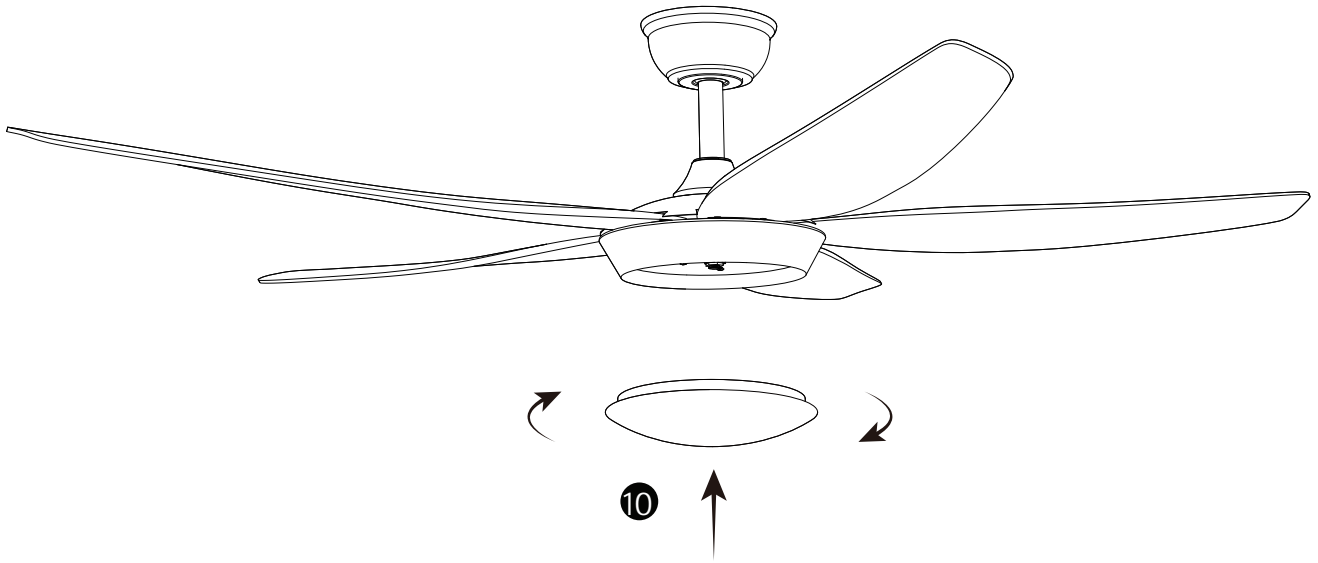
7



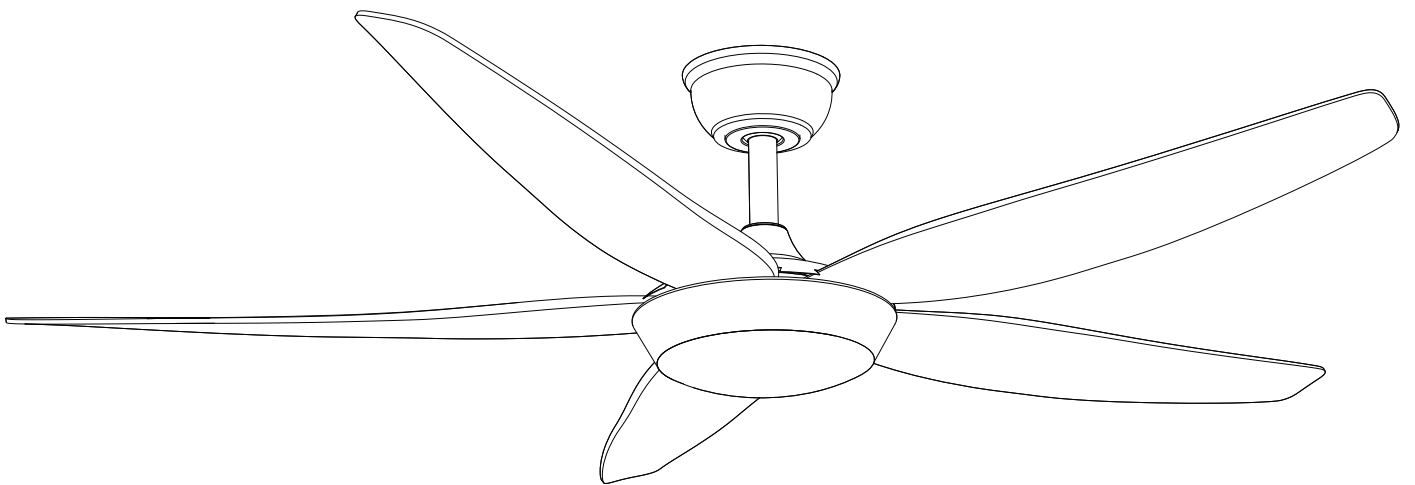
8



9



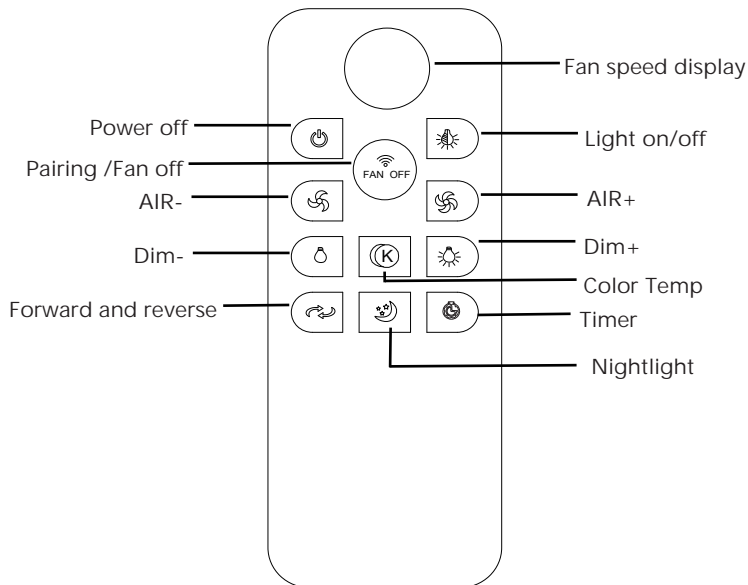
10



END

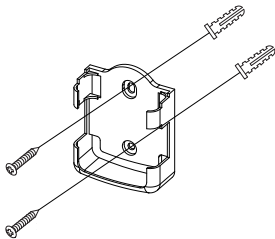
## Code Matching

While powering on, press and hold the ' Fan off 'button for 5 seconds. Then, press the Change gear to control the fan, indicating successful pairing. If control fails, disconnect the power for 10 seconds and repeat the operation.



## TRANSMITTER SPECIFICATION

Attach wall holder using the two tapping screws and anchor.



1. Remove the battery cover.
2. Install two 1.5V AAA batteries (sold separately).
3. Re-install the battery cover.

NOTE: After the battery is installed, press any key to make the transmitter work on, and the indicator light will be on.

If the indicator light is not on, please check whether the positive and negative electrodes of the battery are inverted, or the battery is loose and out of position.

