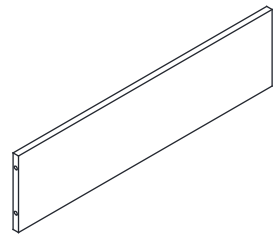
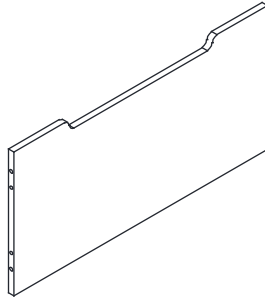


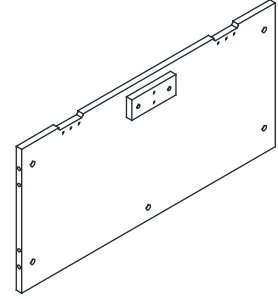
① x1



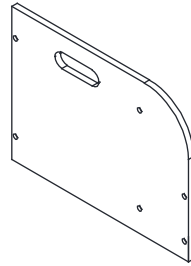
② x1



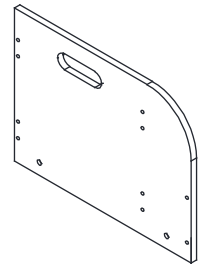
③ x1



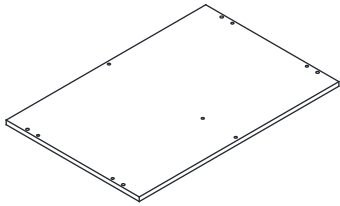
④ x1



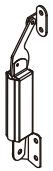
⑤ x1



⑥ x1



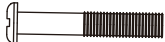
⑦ x1



Ax1



M6x25  
Bx12



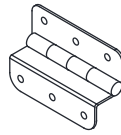
M6x40  
Cx19



Ø10x10  
Dx19



M4x20  
Ex4



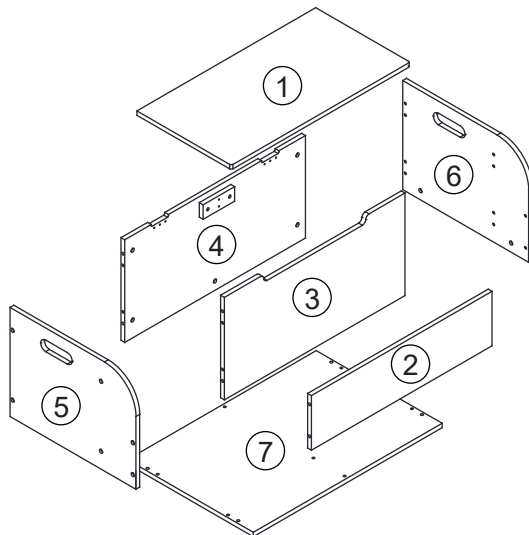
Fx2



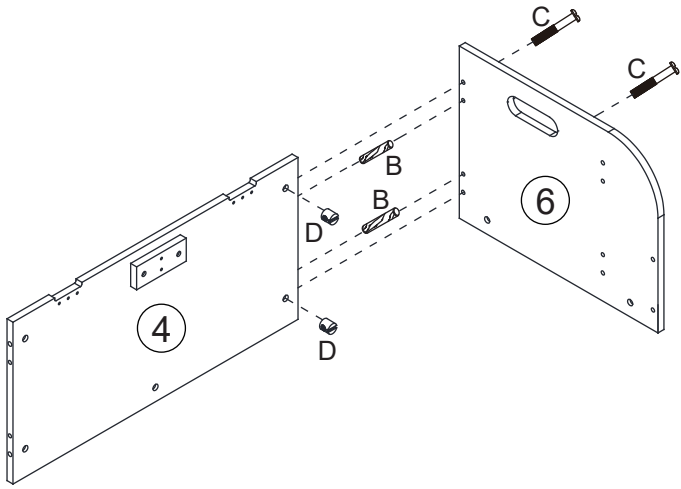
M4x10  
Gx28



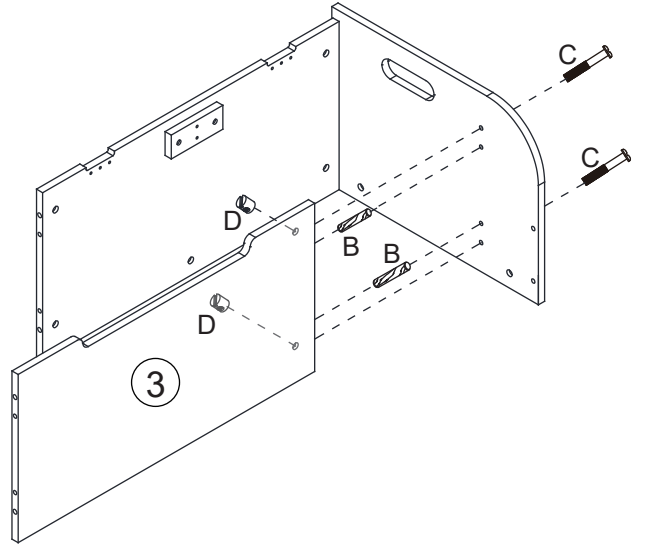
Hx4



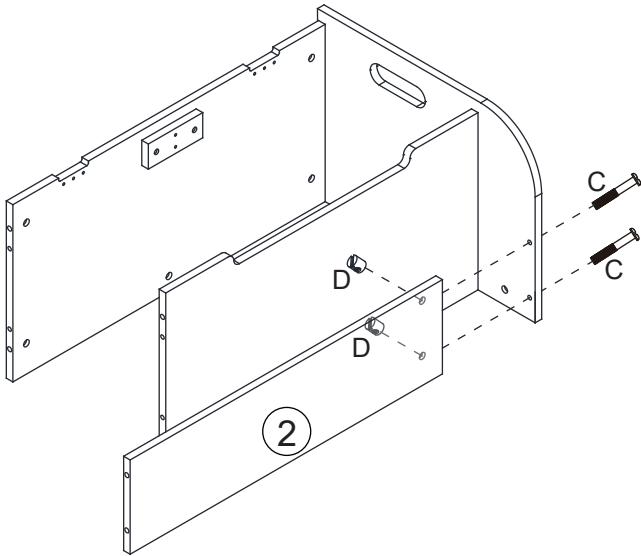
1



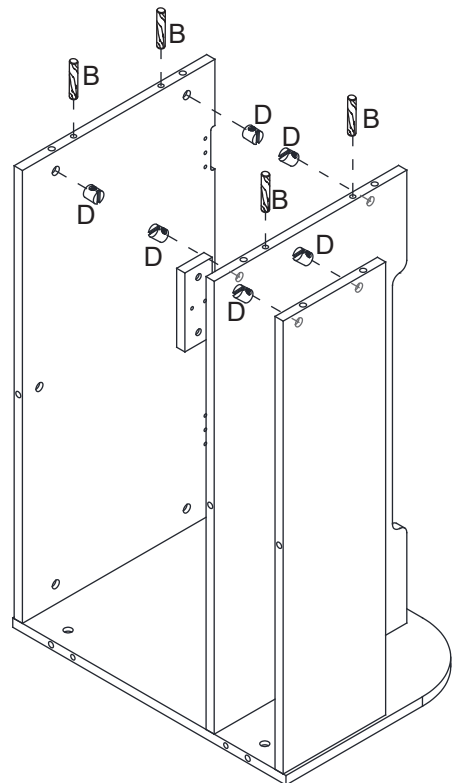
2



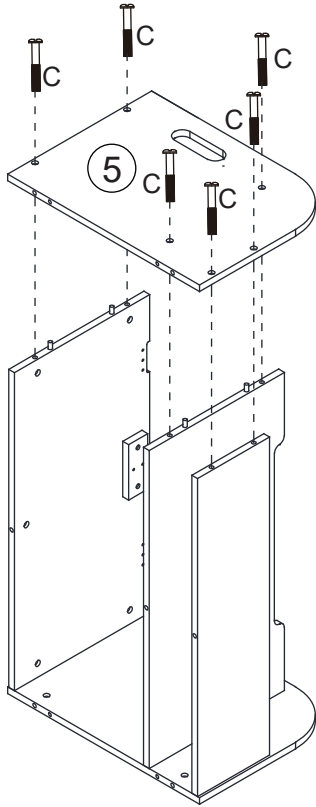
3



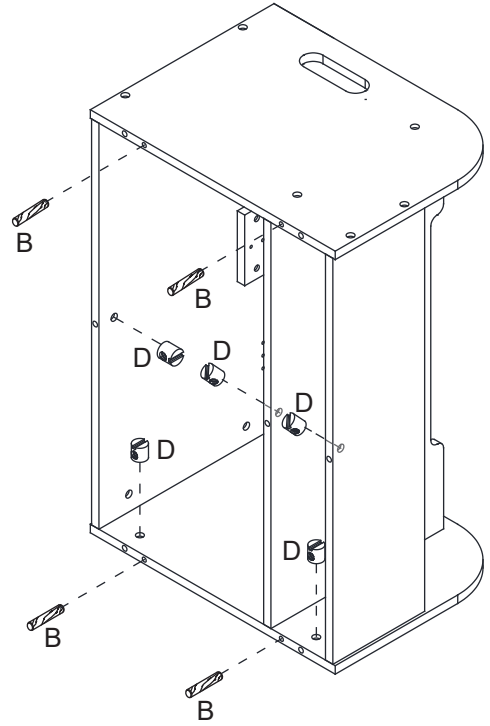
4



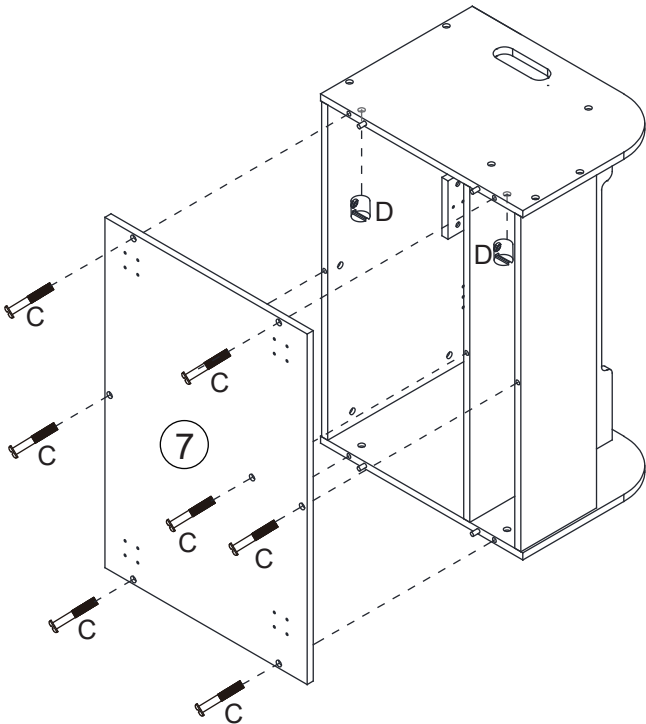
5



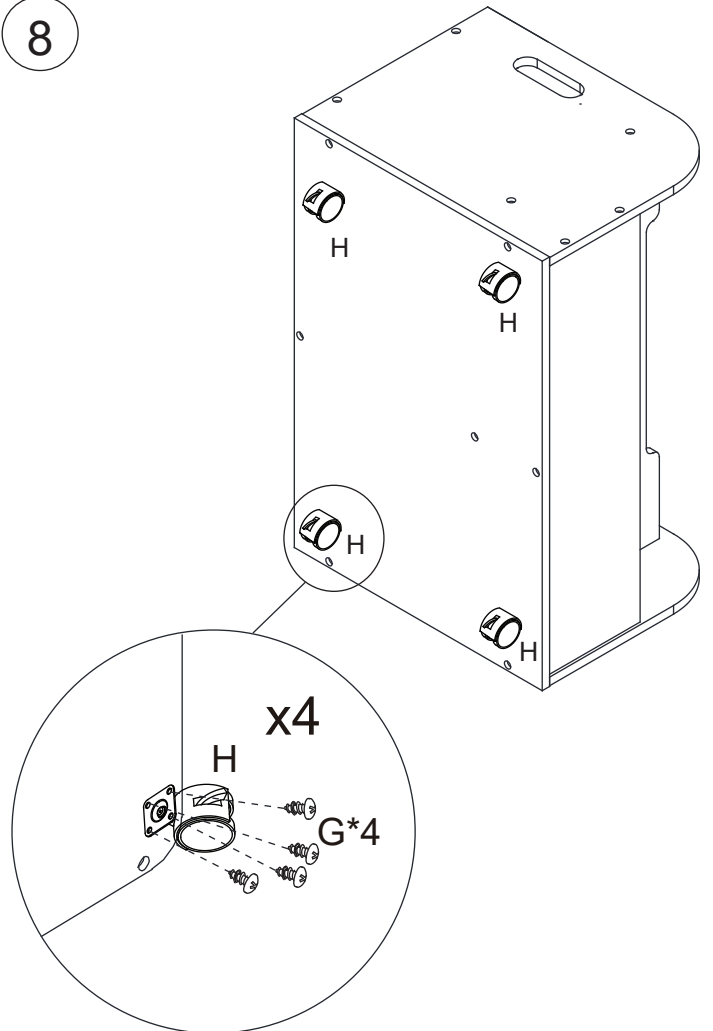
6



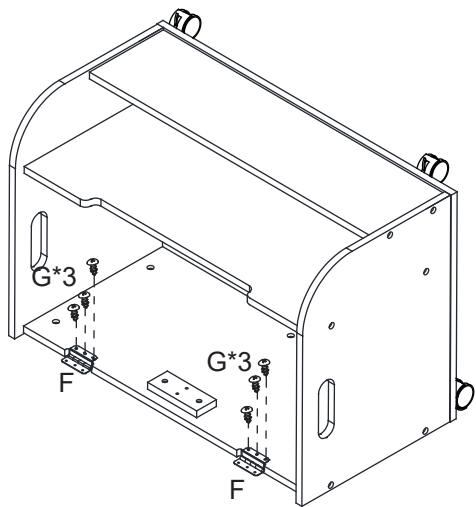
7



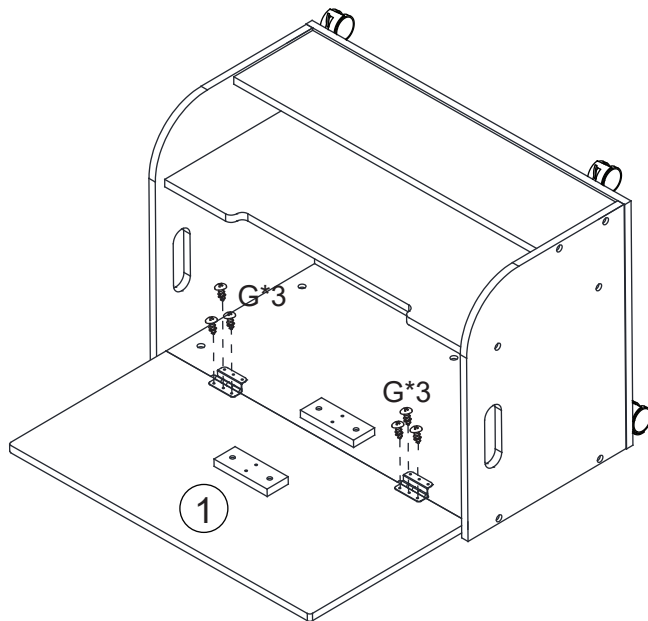
8



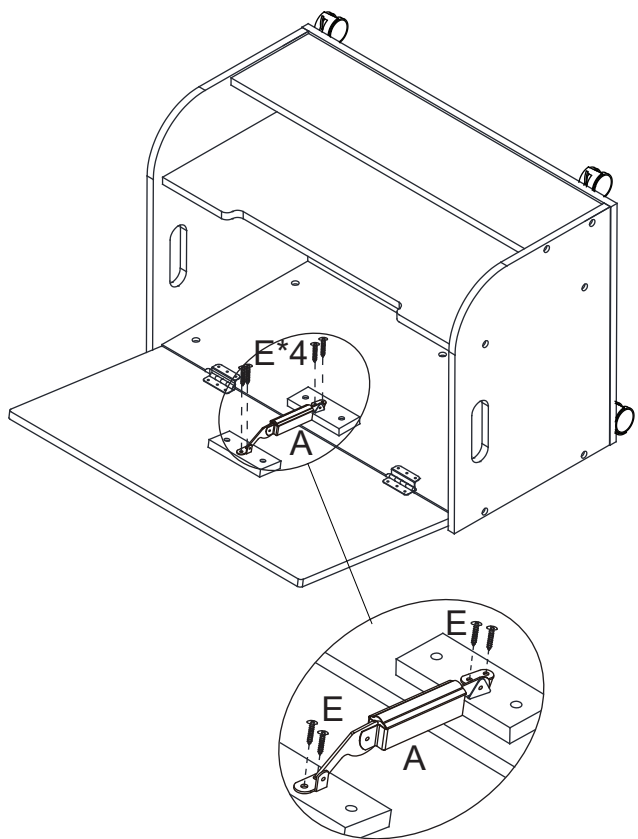
9



10



11



12

