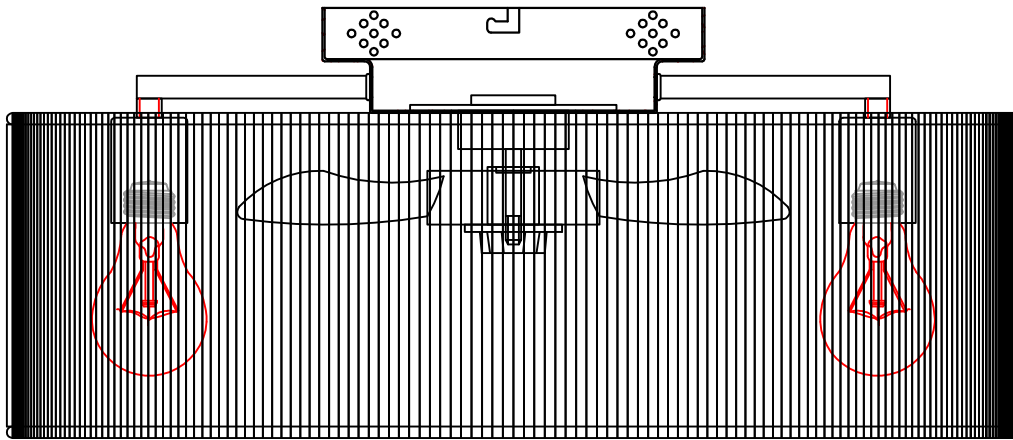
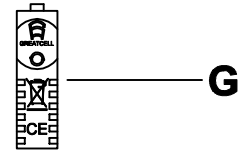
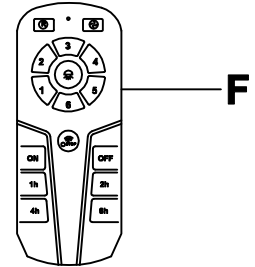
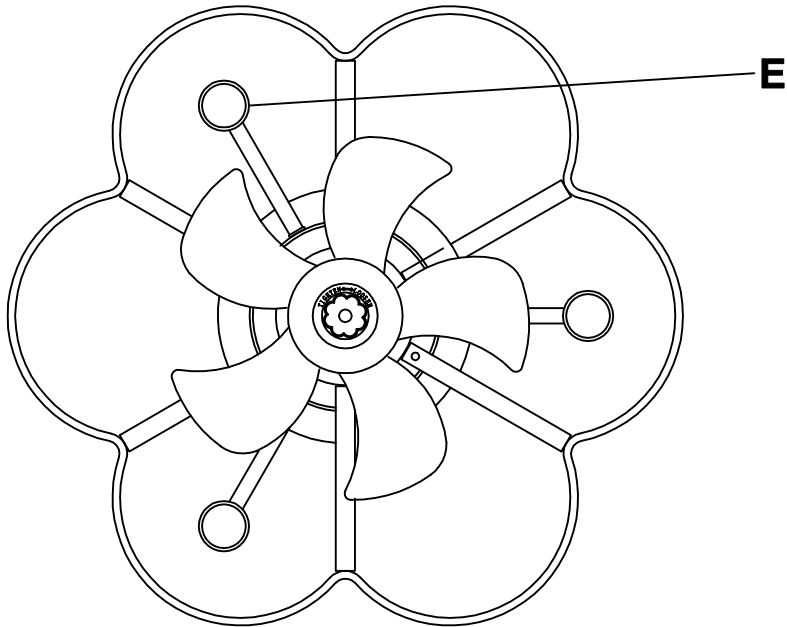
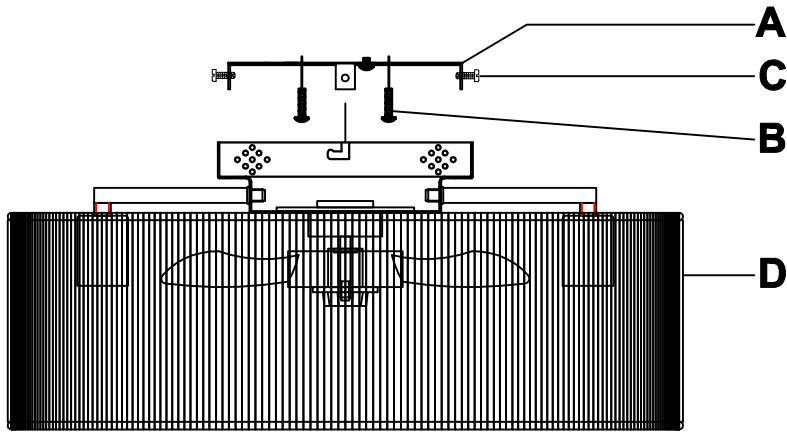


BBF3003

3-LIGHT CEILING MOUNTED FAN LIGHT

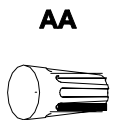


PACKAGE CONTENTS

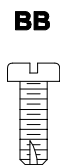


PART	DESCRIPTION	QTY.
A	Mounting Bracket	1
B	Tapping screw	2
C	Machine screw	4
D	Fan lamp body	1
E	lamp holder	3
F	remote control	1
G	battery	2

HARDWARE CONTENTS



AA
Wire
Connector
Qty: 3



BB
Short
Machine
Screw
Qty: 2

! SAFETY INFORMATION

Please read and understand this entire manual before attempting to assemble, operate or install the product.

! WARNING

- **IMPORTANT: NEVER** attempt any work without shutting off the electricity.
- Place the main power switch in the "OFF" position and unscrew the fuse(s), or switch "OFF" the circuit breaker switch(es), that control the power to the fixture or room you are working in.
- Place the wall switch in the "OFF" position. If the fixture to be replaced has a switch or pull chain, place it in the "OFF" position.
- Do not use bulbs with wattage greater than specified on this fixture.
- California Prop. 65: This lighting fixture contains chemicals known to the state of California to cause cancer, birth defects, and/or other reproductive harm. Wash hands after use.

CAUTION

- If you have any doubts about how to install this lighting fixture, or if the fixture fails to operate completely, please contact a licensed electrical contractor.
- All parts must be used as indicated in these instructions. Do not substitute any parts, leave parts out, or use any parts that are worn out or broken. Failure to obey this instruction could invalidate ETL listing and/or C.S.A. certification of this fixture.

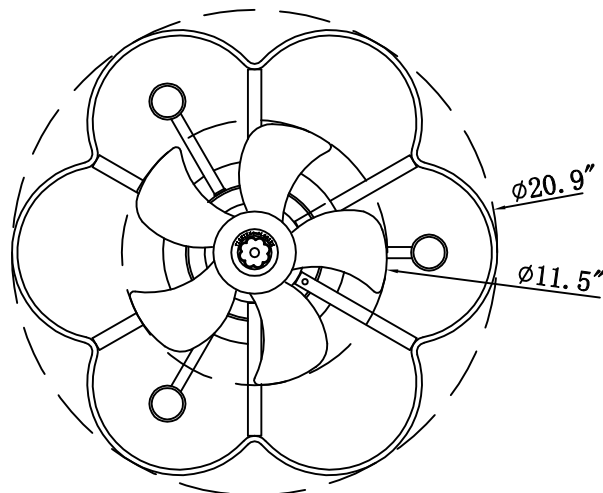
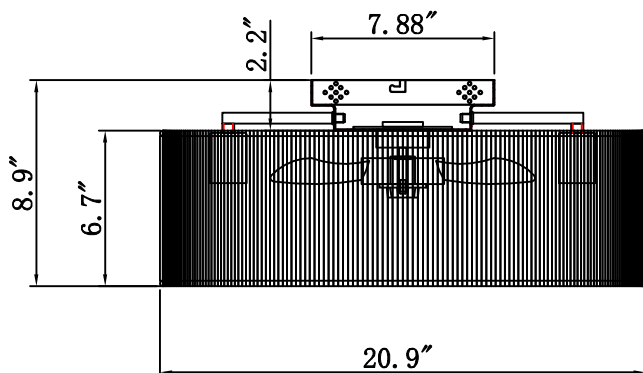
PREPARATION

Before beginning assembly of product, make sure all parts are present. Compare parts with package contents list and hardware contents list. If any part is missing or damaged, do not attempt to assemble the product.

Estimated assembly time: 30 minutes to 1 hour

Tools Required for Assembly (not included): Phillips screwdriver, flathead screwdriver, wire strippers, electrical tape, ladder, safety glasses.

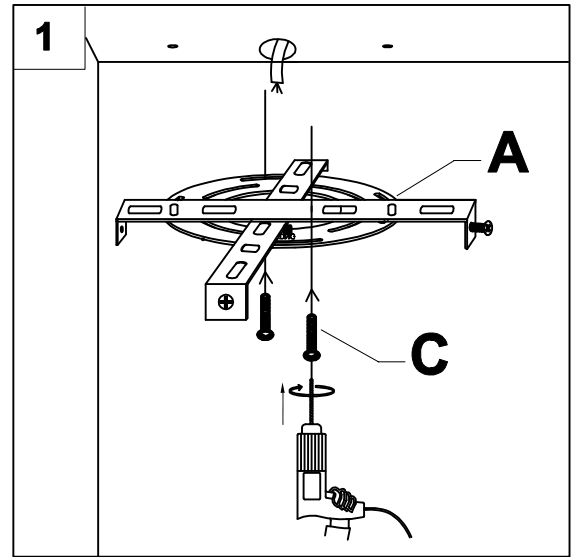
SIZE OF PRODUCT



ASSEMBLY INSTRUCTIONS

1. Mounting Bracket (A) Tapping screw (C)

Note: Tighten the hanging plate onto the wall with self tapping screws



2. Wire connection guide:

Ground wire:

- For installation in the United States: Wrap ground wire from outlet box around ground screw preassembled on mounting bracket (B) no less than 2 in. from wire end. Tighten ground screw. If fixture is supplied with a ground wire, connect to outlet ground wire with a wire connector (AA).
- For installation in Canada: If fixture is supplied with ground wire, wrap ground wire around ground screw on mounting bracket (B). Tighten ground screw. Connect fixture ground wire to outlet ground wire with the wire connector (AA).

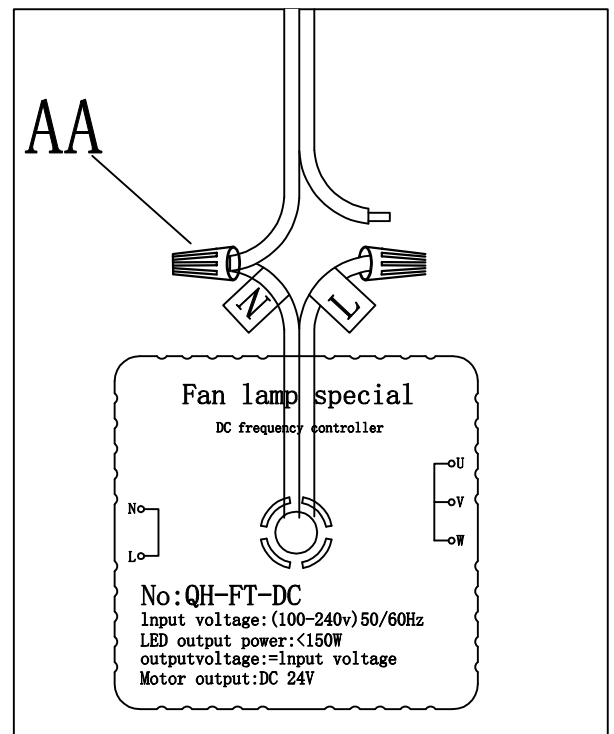
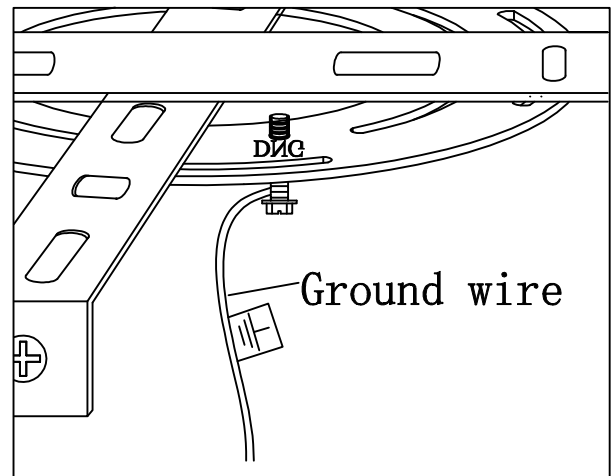
Supply wires:

- Connect the Neutral (White) supply wire from the outlet box to the Neutral fixture wire (White or Parallel Cord "D" shaped and ribbed).
- Connect the Hot (Black) supply wire from the outlet box to the Hot fixture wire (Black or Parallel Cord round and smooth).

NOTE:

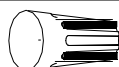
Fixture wires will either be:

- Black and White.
- Parallel Cord SPT-1 lamp wire with one round smooth wire and one "D" shaped ribbed wire.



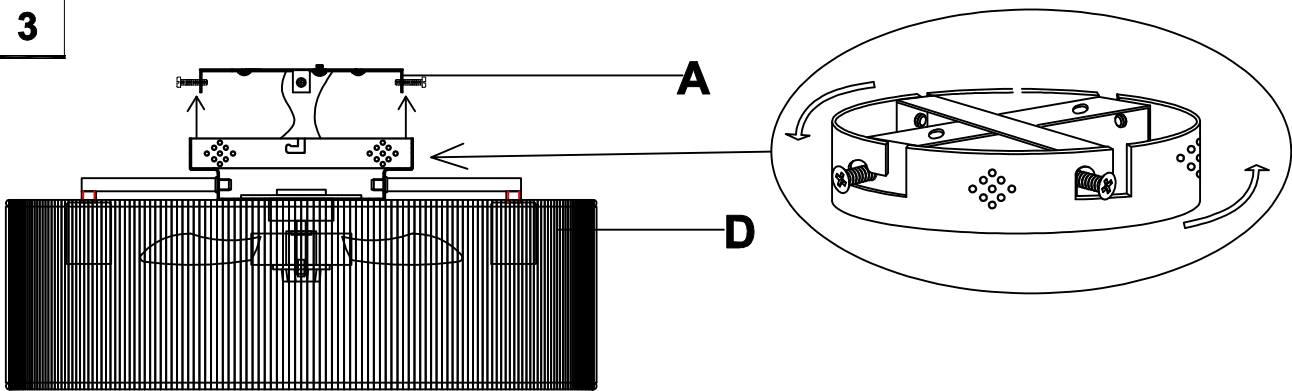
Hard ware Used

AA Wire Connector



x 3

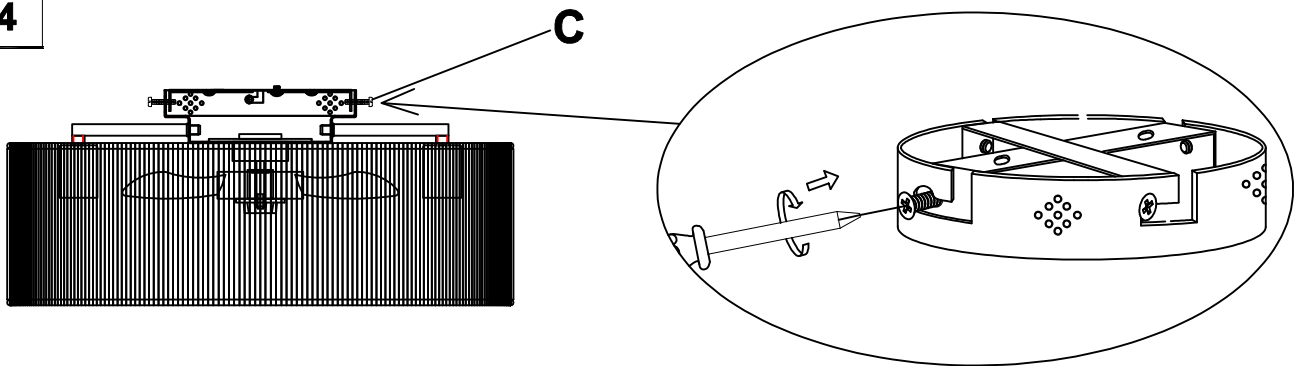
3



3. Mounting Bracket (A) Fan lamp body (D)

Note: Align the circular hole of the fan lamp body with the mechanical screw on the installation bracket, fit it against the wall, and insert it into the circular hole of the fan lamp body. Rotate it to the left to ensure that the mechanical screw on the installation bracket is perfectly inserted into the side hole of the fan lamp body. Please note that the electrical wires of the lamp body should not be pressed against the wall or the outer side of the fan lamp body disc during this step.

4



4. Machine screw (C)

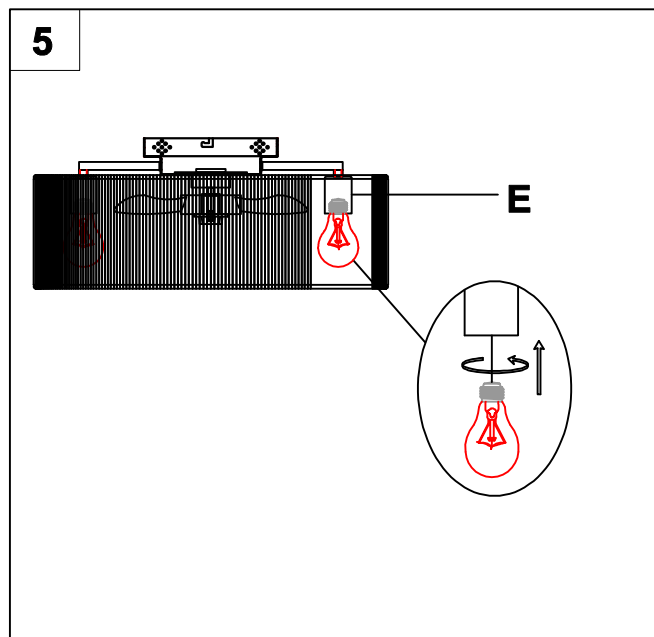
Note: Use a screwdriver to sequentially lock the mechanical screws on the mounting bracket onto the fan lamp body disc.

ASSEMBLY INSTRUCTIONS

5. Insert 40-watt max. candelabra-base incandescent bulb or CFL/LED equivalent (none included) into socket (E).



Attention: The outer diameter of the bulb used in this lighting fixture cannot exceed 1.8 inches



CARE AND MAINTENANCE

- Always be certain that electric current is turned off before cleaning this item.
- Use a soft, moist cloth with mild non-abrasive soap to clean fixture. Never use glass cleaner on fixture, as it will damage the metal finish.
- All glass shades may be washed in a towel-lined sink with warm water and mild soap. Do not wash shades in an automatic dishwasher.

TROUBLESHOOTING

PROBLEM	POSSIBLE CAUSE	CORRECTIVE ACTION
Fixture does not light.	1. Fixture may be wired incorrectly. 2. Worn or broken bulb.	1. Check wiring. 2. Replace bulb.