

## Features

- Catalyzed conversion varnish provides a durable moisture-resistant finish.
- Furniture-style inset construction for doors and drawers.
- Two doors and two full- and four shallow-drawers behind two drawer fronts.
- Three-way adjustable slow-close door hinges with 110-degree opening capability for easy cabinet access.
- Full-extension 18" depth drawers with slow-close under-mount slides for smooth opening.
- Solid wood drawers with dovetail construction.
- Optional drawer organizer (sold separately).
- Coordinates with other products in the Jute™ collection.
- Wall-hung design offers a clean, streamlined look.
- Door and drawer pulls are sold separately.

## Material

- Solid wood and veneers.

## Recommended Accessories

- K-5459 Bathroom Vanity Top
- K-5441 Bathroom Vanity Top
- K-99686 Knob
- K-99689 Handle
- K-2893-1 Vitreous Top and Basin Bathroom Sink
- K-2893-8 Vitreous Top and Basin Bathroom Sink

## Optional Accessories

- K-99665 Framed Mirror
- K-99681 Side Mount Electrical Outlets
- K-99682 General Storage
- K-99683 Makeup Storage
- K-99684 Drawer Dividers
- K-99672 Two-Drawer Bridge
- K-99668 Lap Drawer
- K-99676 Filler Strip
- K-99001 Medicine Cabinet
- K-99007 Medicine Cabinet
- K-99009 Medicine Cabinet



## Codes/Standards

EPA TSCA Title VI  
 CARB P2

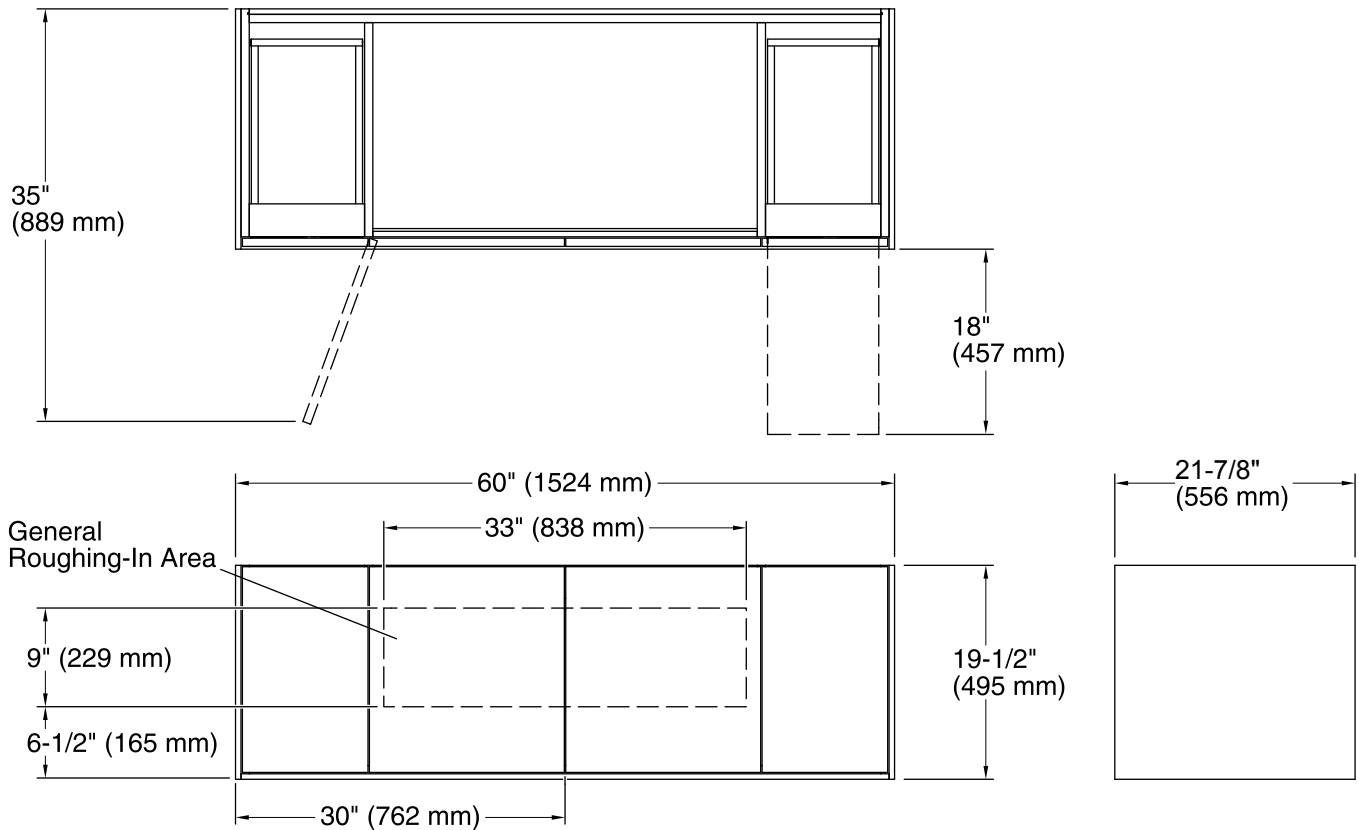
## KOHLER® One-Year Limited Warranty

See website for detailed warranty information.

## Available Color/Finishes

*Color tiles intended for reference only.*

Color	Code	Description
	1WA	Linen White
	1WN	Corduroy Teak
	1WM	Walnut Flax
	1WJ	Jersey Oak
	1WL	Laurentil Silk
	1WK	Satin Oak
	1WP	Ebony Velour
	1WT	Mohair Grey
	1WU	Batiste Black



## Technical Information

All product dimensions are nominal.

Vanity type: Wall-mount

## Notes

Install this product according to the installation guide.

Decorative cabinet hardware is not supplied. Refer to the KOHLER bath accessories line for recommended cabinet hardware to complement your vanity.

Select the type of fastener based upon the wall material. Two 500 lb (227 kg) minimum load bearing fasteners are recommended.