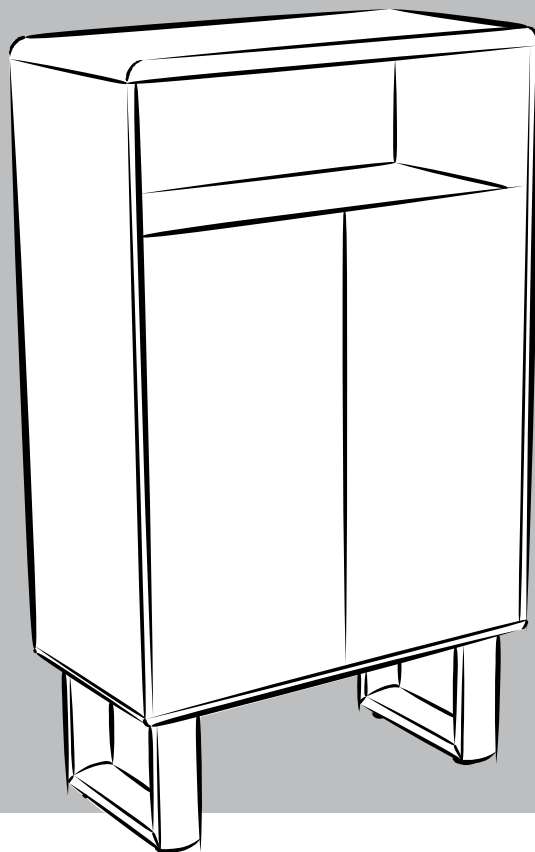


# ASSEMBLY INSTRUCTION



## **File Cabinet**

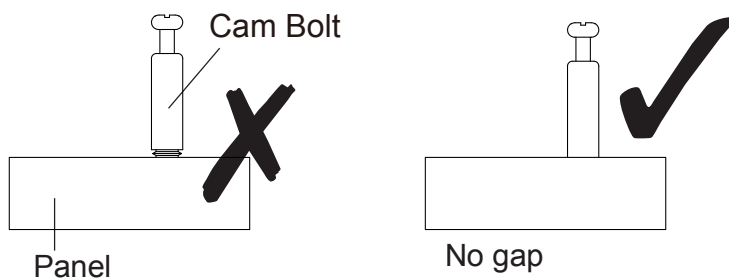
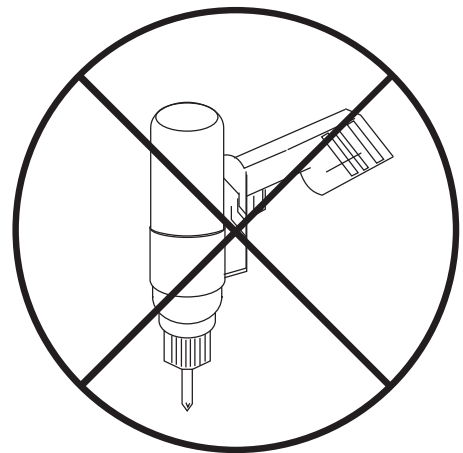
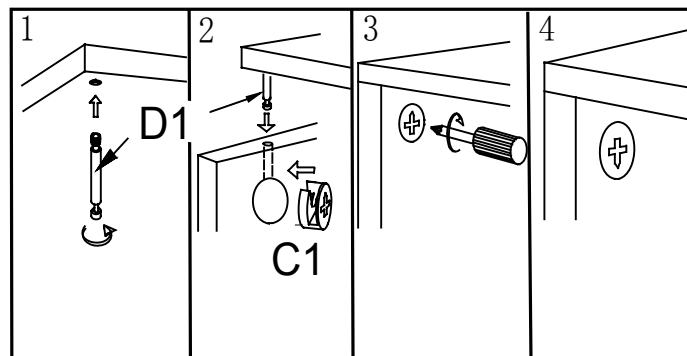
Assembly instructions and  
warranty information

The maximum recommended weight allowance is 30 lbs (13.6 kg) for top surface.  
The maximum recommended weight allowance is 30 lbs (13.6 kg) for shelf panel.

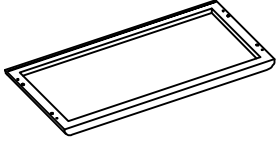
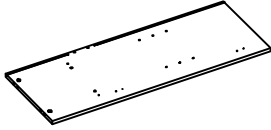
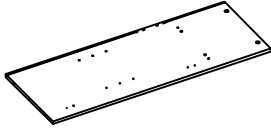
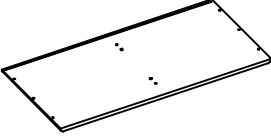
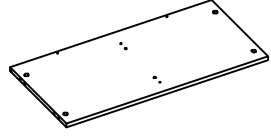
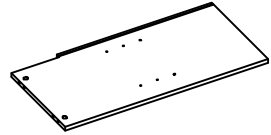
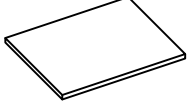
Item NV3100

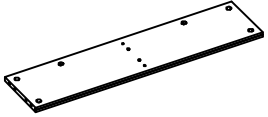
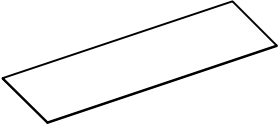
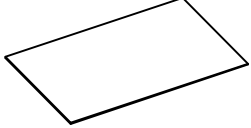
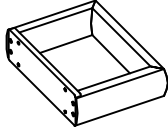
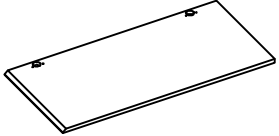
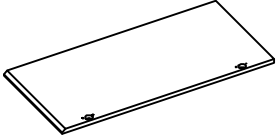
## Installation of Cam Lock&Cam Bolt:

Screw the Cam Bolt into hole. To set Cam Lock correctly, ensure the arrow on the cam head points to the hole of the Cam Bolt it is locking. Lock Cam by turning cam head one third clockwise with screwdriver. Do not overtighten. Please don't use an Electric Screwdriver to assemble the unit.

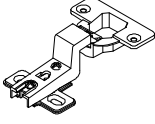
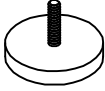

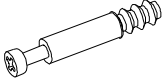






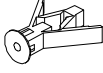


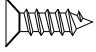
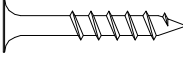
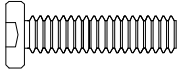
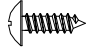
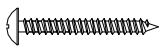
# PARTS LIST

Name	Part	Qty.
<b>A</b> Top panel		1
<b>B</b> Left Side Panel		1
<b>C</b> Right Side Panel		1
<b>D</b> Bottom Panel		1
<b>E</b> Fixed Shelf		1
<b>F</b> Divider		1
<b>G</b> Adjustable Shelf		2

Name	Part	Qty.
<b>H</b> Back panel of Fixed Shelf		1
<b>I</b> Upper Back Panel		1
<b>J</b> Lower Back Panel		2
<b>K</b> Leg		2
<b>L</b> Left Door		1
<b>M</b> Right Door		1

# PARTS LIST

Name	Part	Qty.	Spare
A1 Hinge		4	
B1 Floor Leveler		4	
C1 Cam Lock		16	1
D1 Cam Bolt		16	1
E1 Plastic Cap		12	1
F1 Dowel		18	1
G1 Shelf Support		8	
H1 Allen Wrench		1	

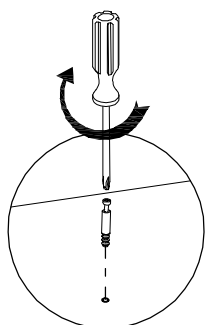
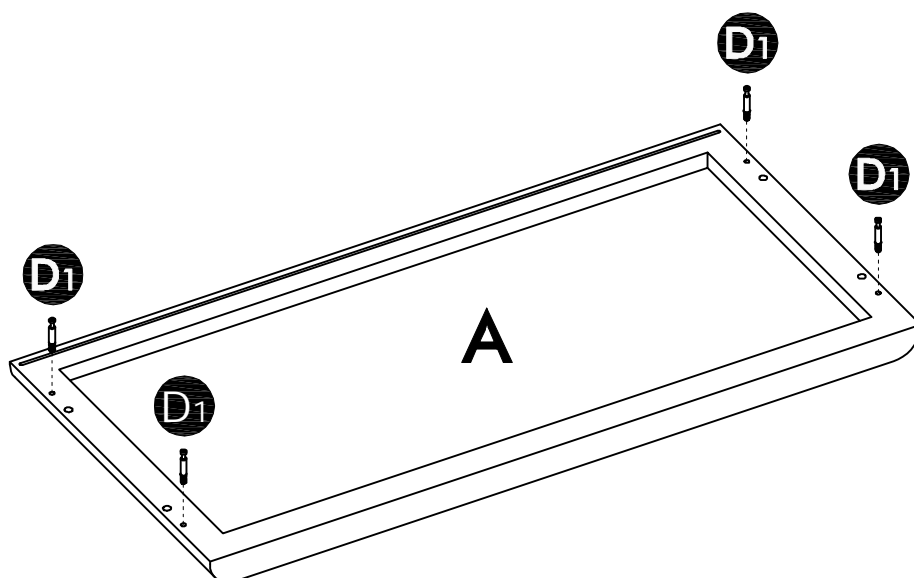
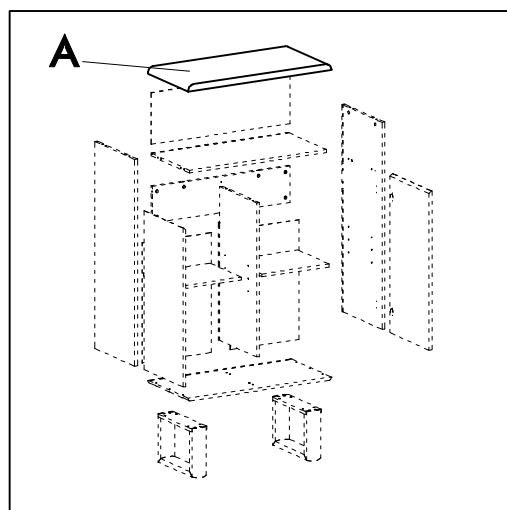
Name	Part	Qty.	Spare
I1 Wall Anchor		2	
J1 Connecting Plate		2	
L1 Glue		1	
S1 1/2" Screw		16	1
S2 2" Screw		10	1
S3 1" Bolt		8	1
S4 1/2" Screw		2	1
S5 1-1/2" Screw		2	1

# STEP 1


D1



[ 4 ]

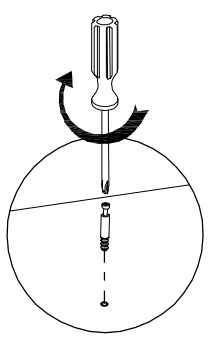
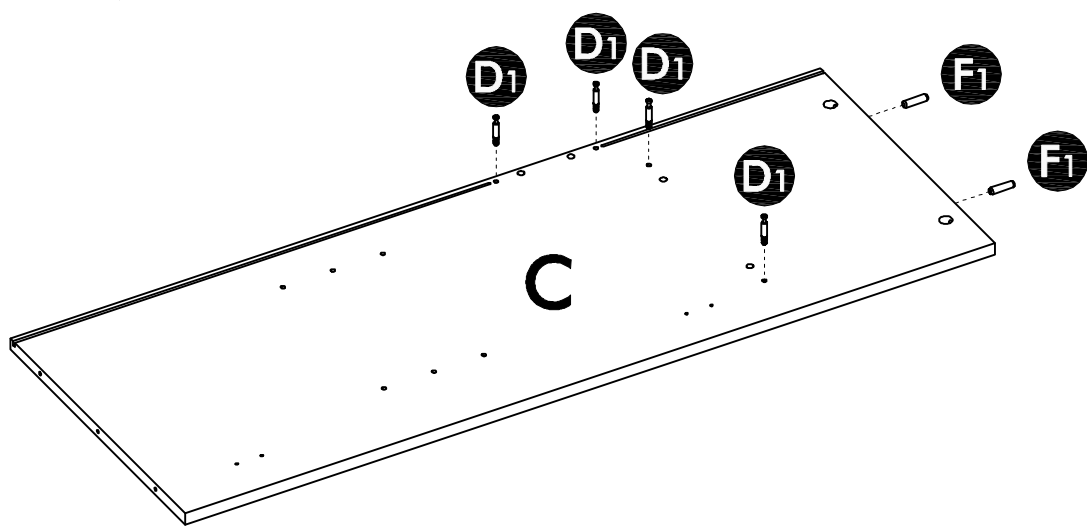
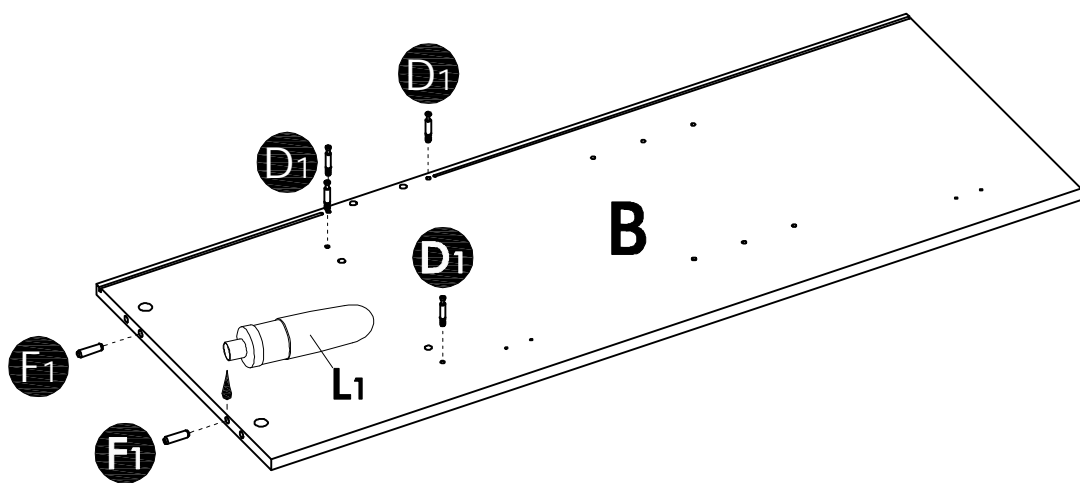
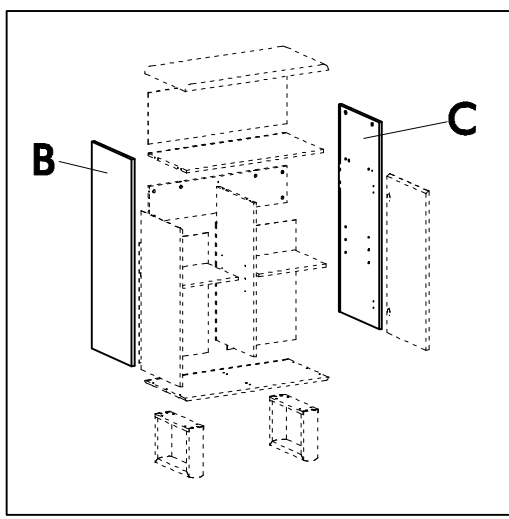


# STEP 2

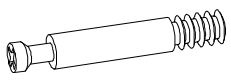
**D1**  [ 8 ]

**F1**  [ 4 ]

**L1** 

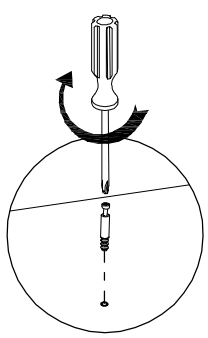
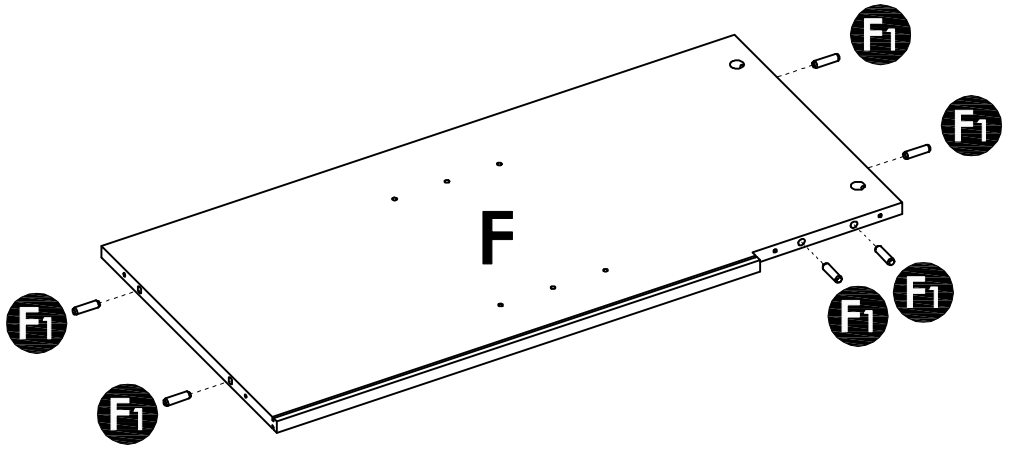
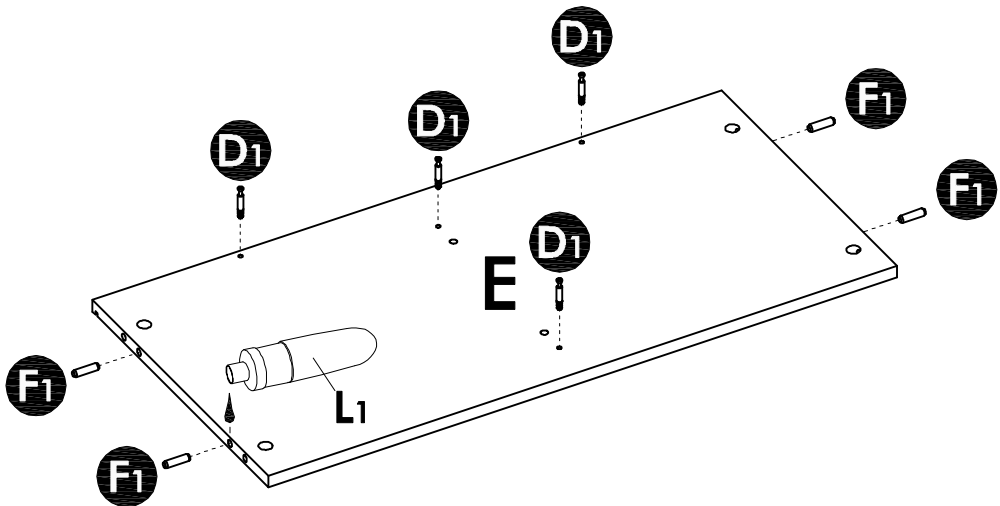
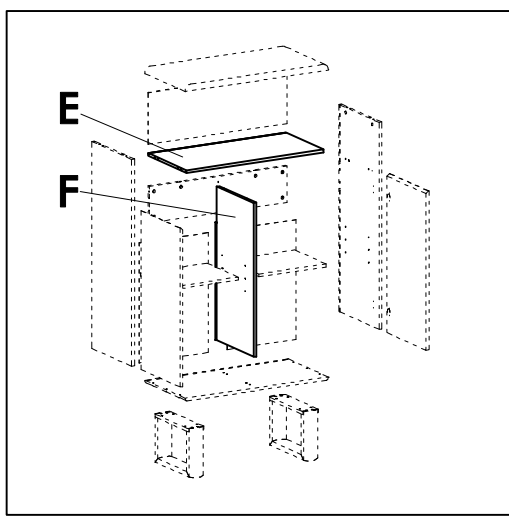


# STEP 3

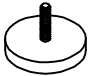
**D<sub>1</sub>**  [ 4 ]


**F<sub>1</sub>**  [ 10 ]

**L<sub>1</sub>** 

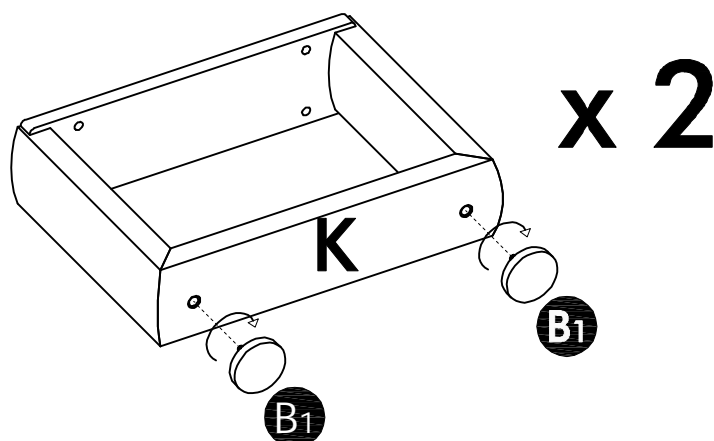
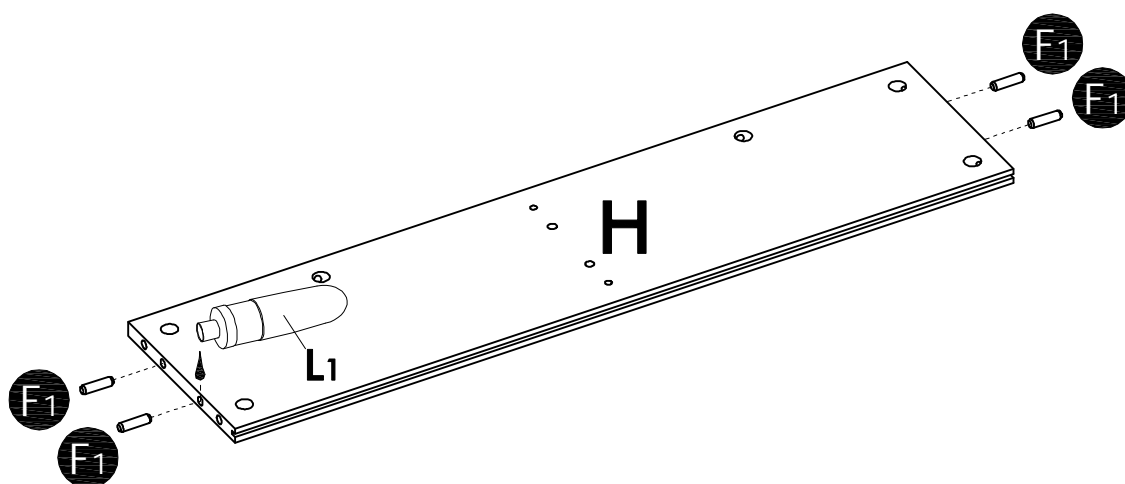
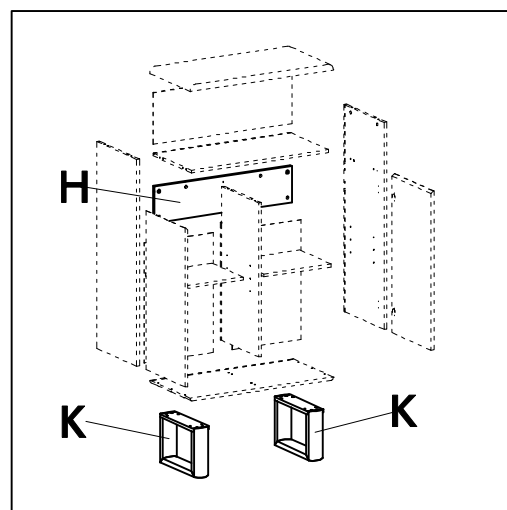


# STEP 4

**B<sub>1</sub>**  [ 4 ]

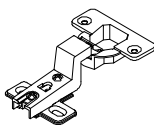
**F<sub>1</sub>**  [ 4 ]

**L<sub>1</sub>** 



# STEP 5

A1

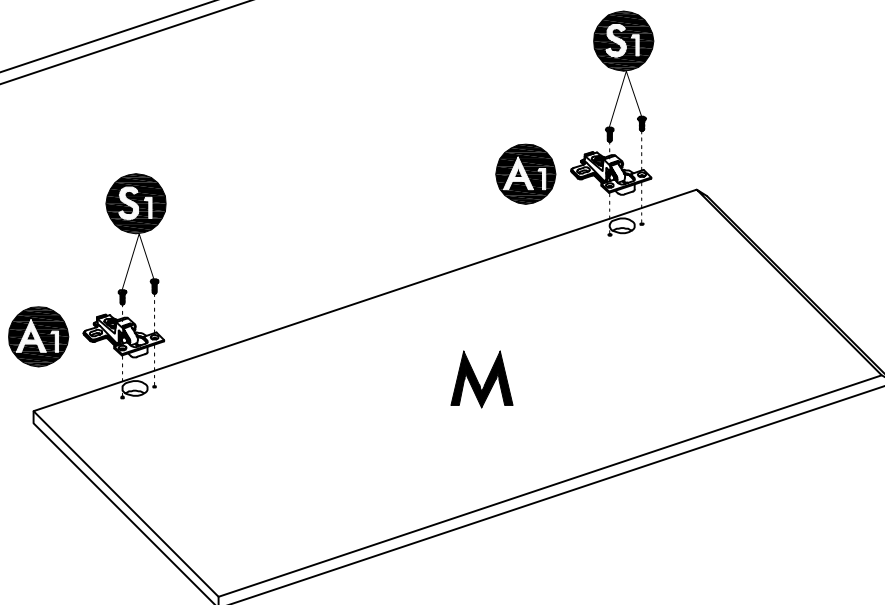
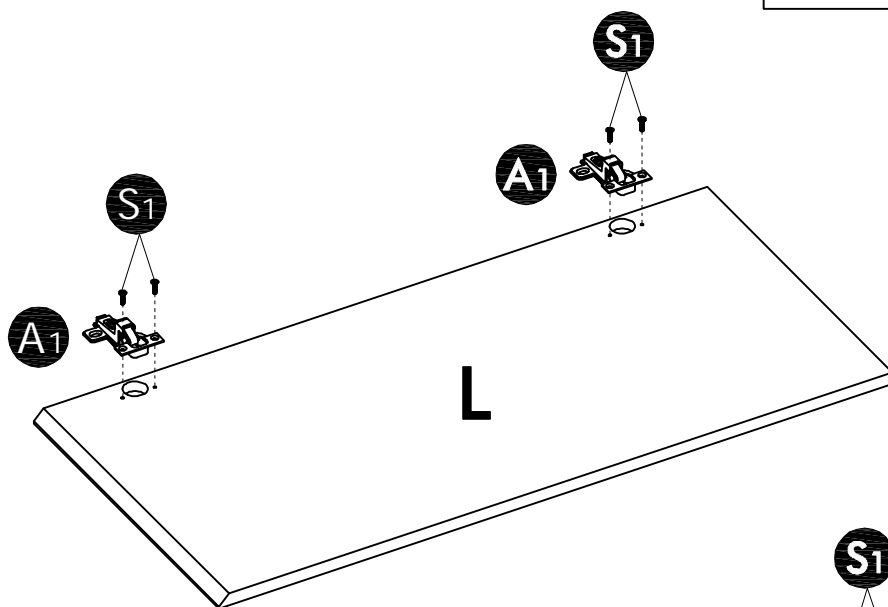
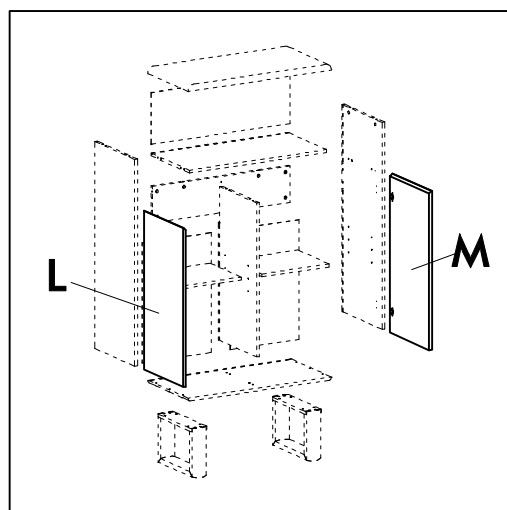


[ 4 ]

S1

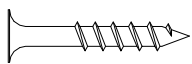


[ 8 ]



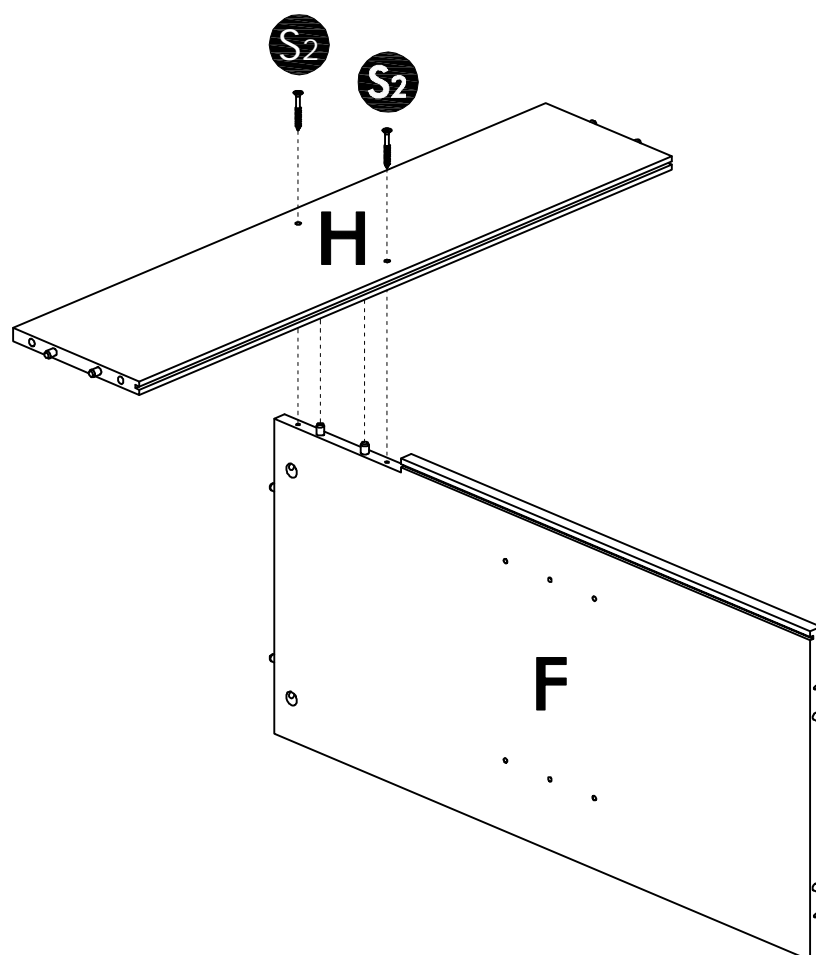
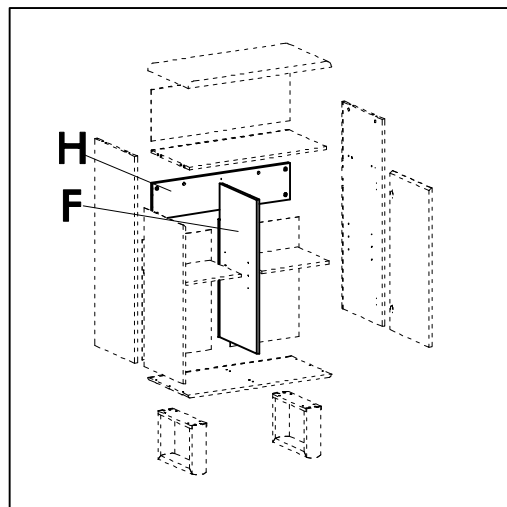
# STEP 6

S2



[ 2 ]

L1



# STEP 7

C1



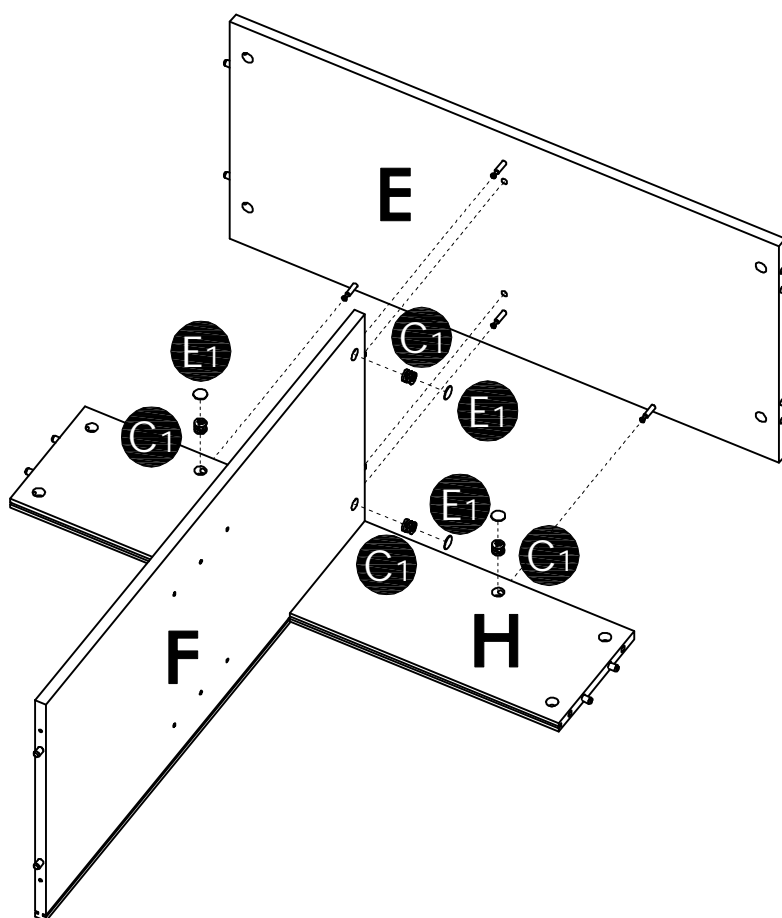
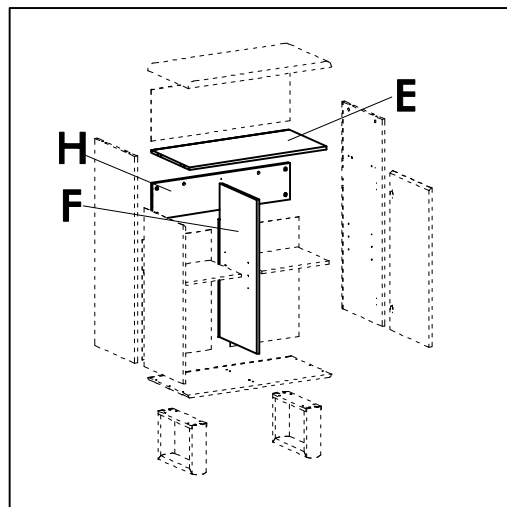
[ 4 ]

E1



[ 4 ]

L1



# STEP 8

C<sub>1</sub>



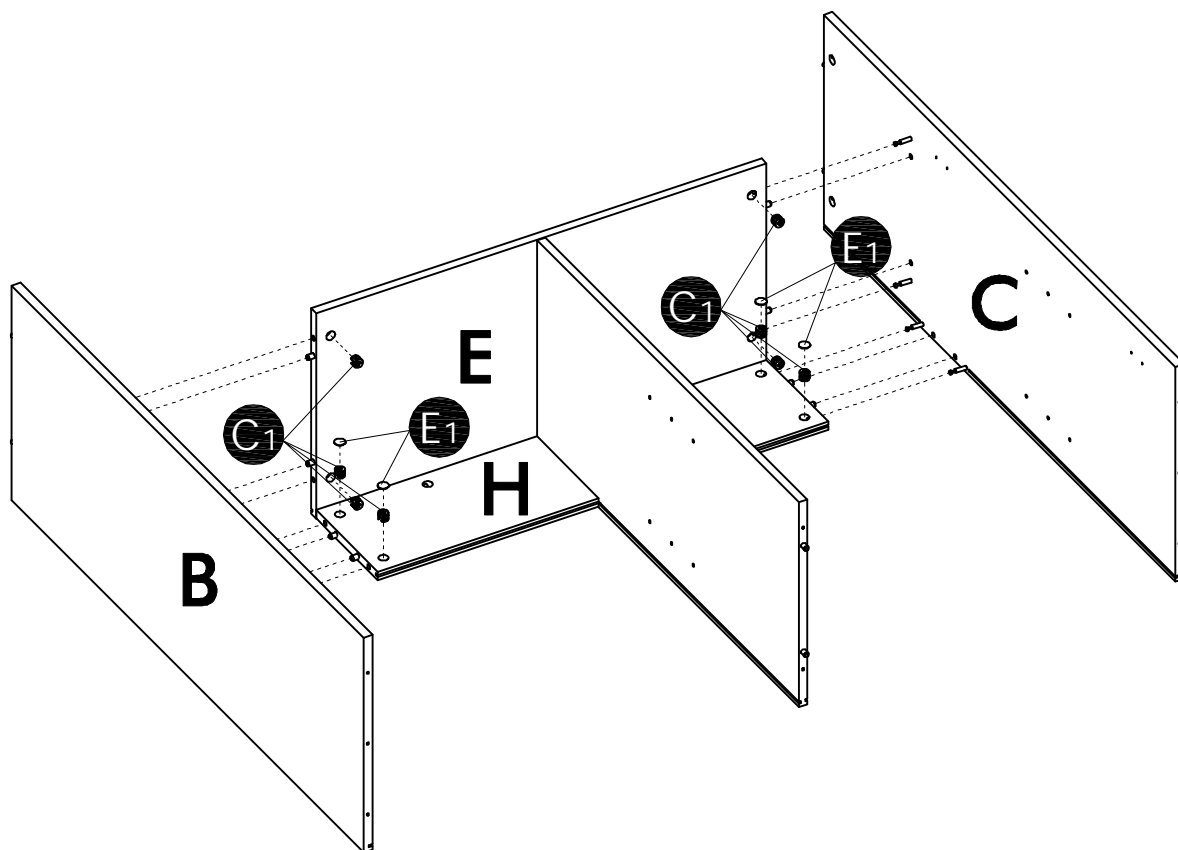
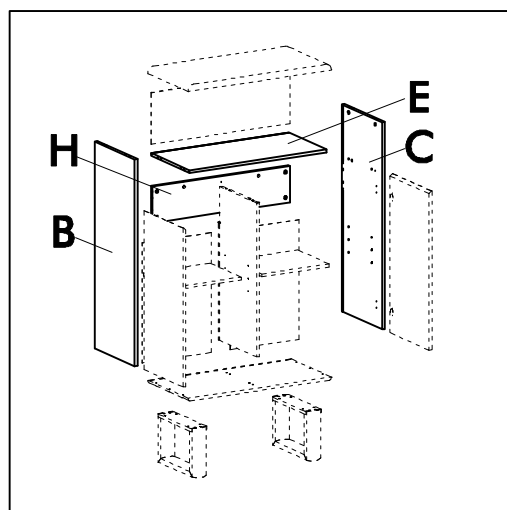
[ 8 ]

E<sub>1</sub>

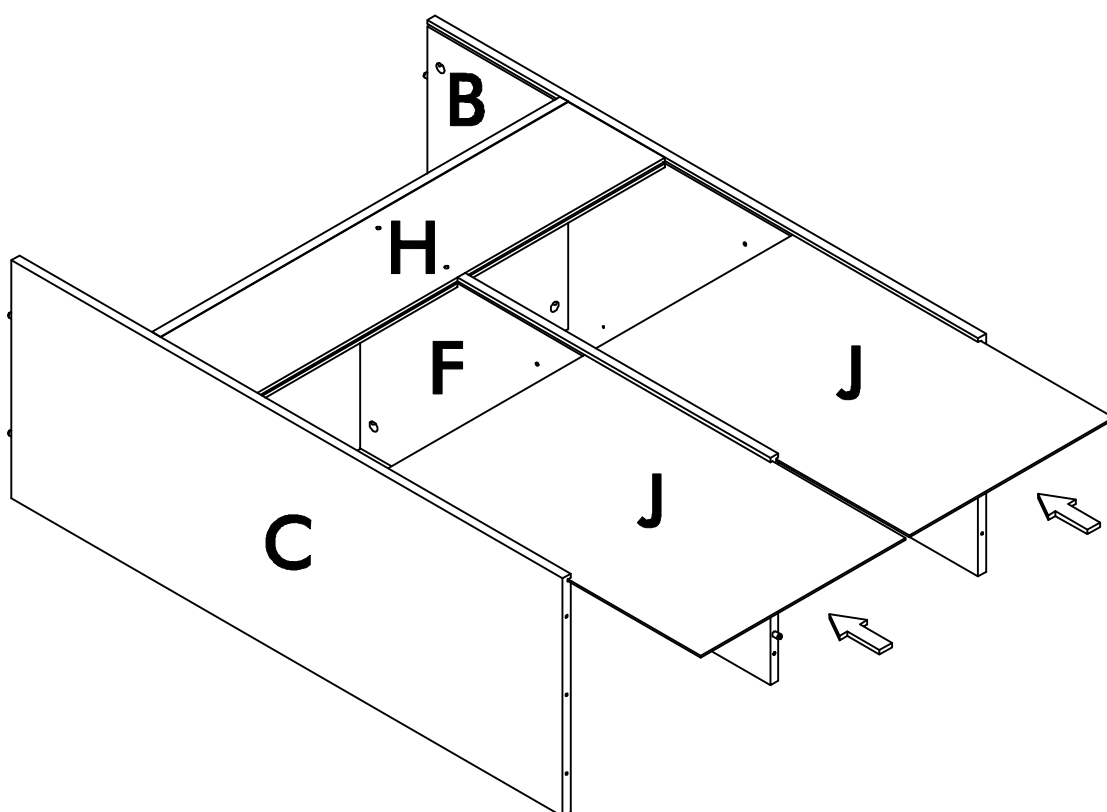
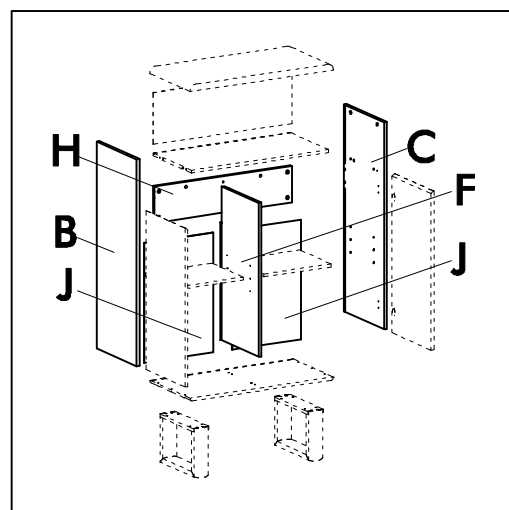


[ 4 ]

L<sub>1</sub>



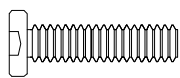
# STEP 9





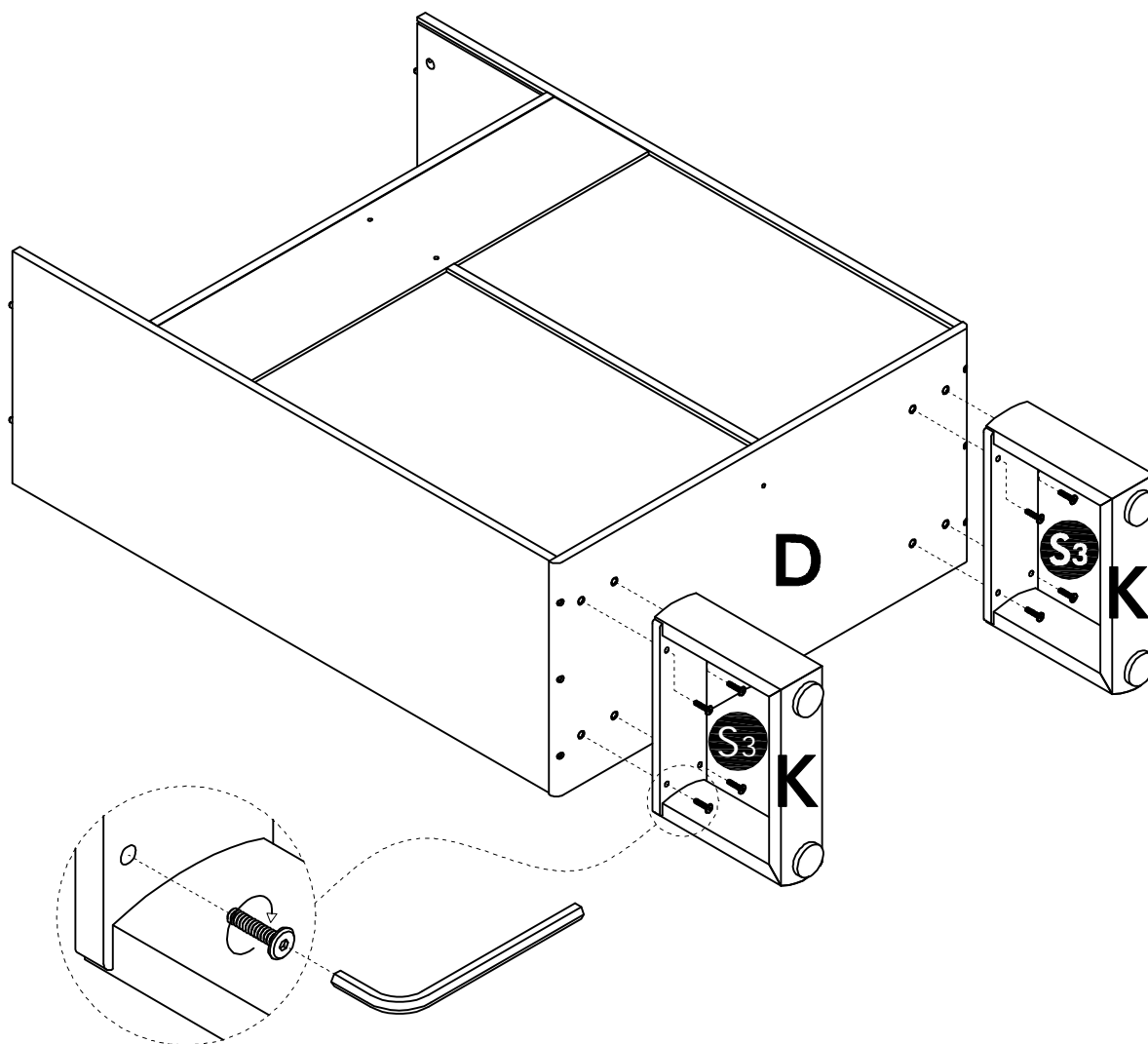
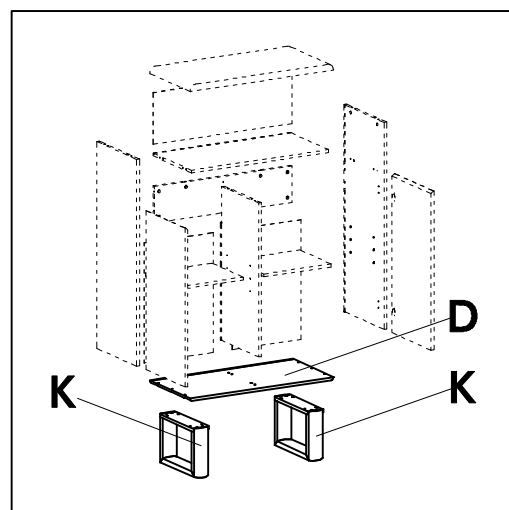
# STEP 11

S<sub>3</sub>

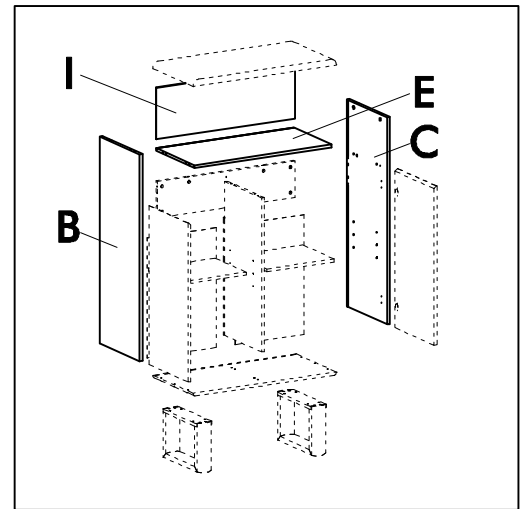


[ 8 ]

H<sub>1</sub>



# STEP 12



# STEP 13

**G<sub>1</sub>**



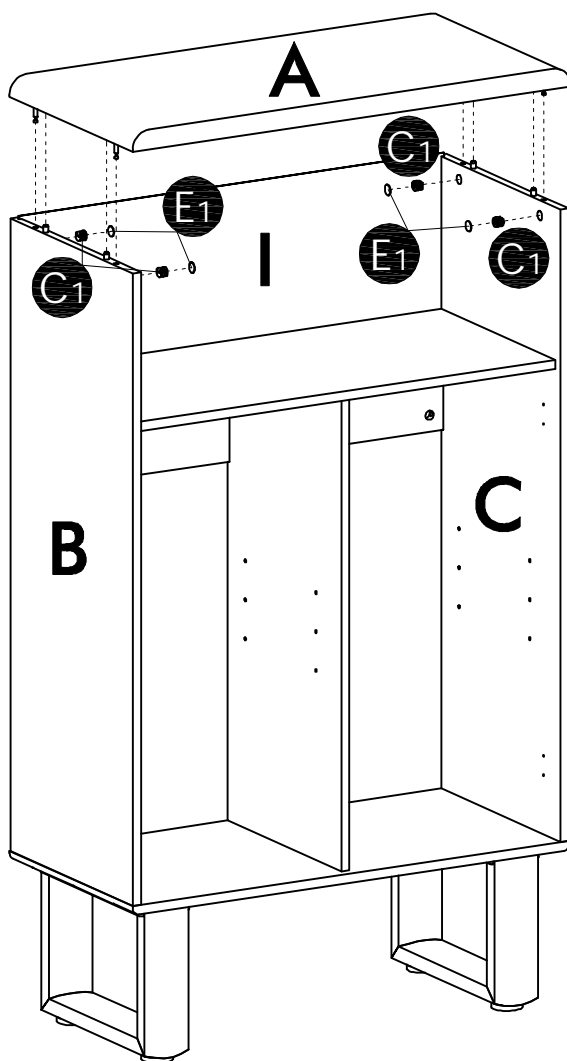
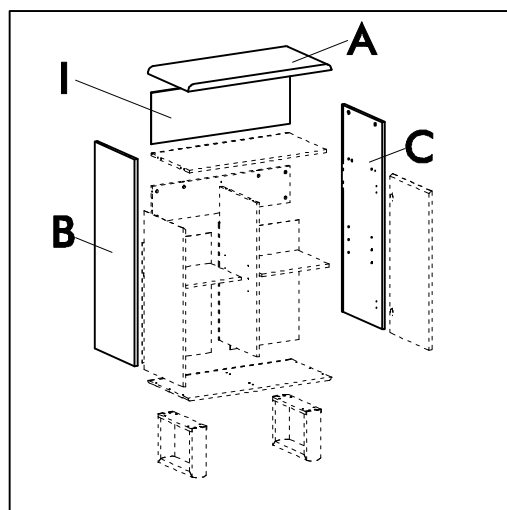
[ 4 ]

**E<sub>1</sub>**



[ 4 ]

**L<sub>1</sub>**

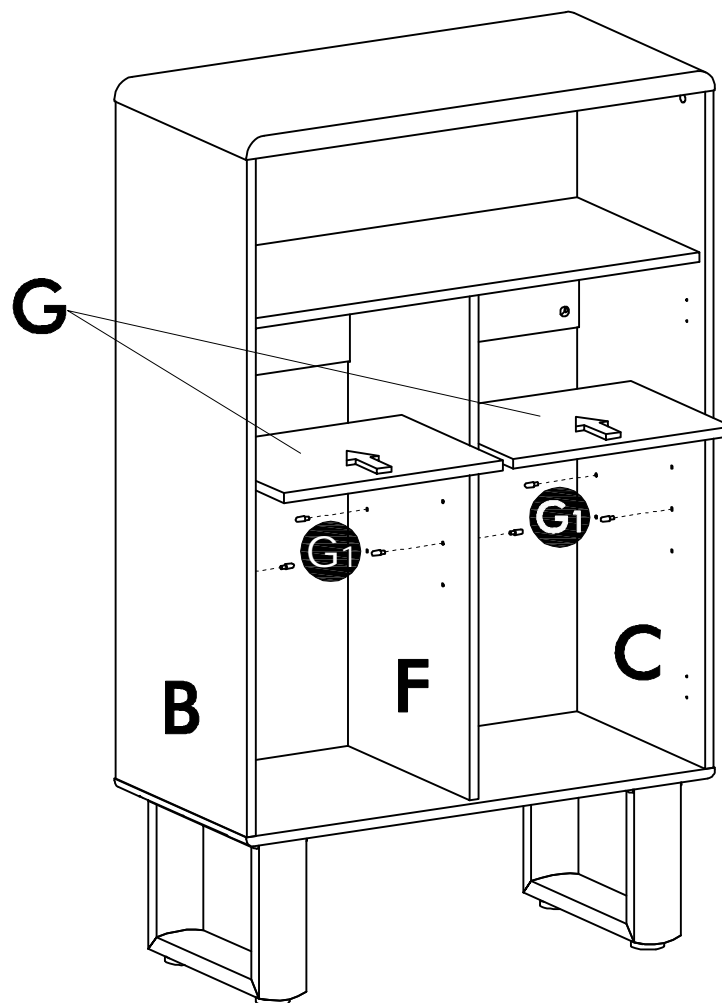
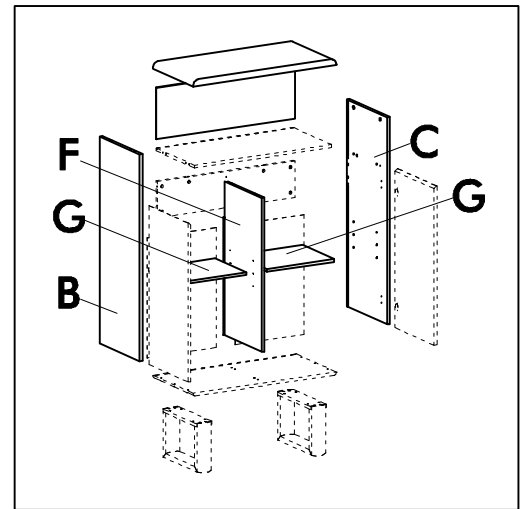


# STEP 14

G1



[ 8 ]

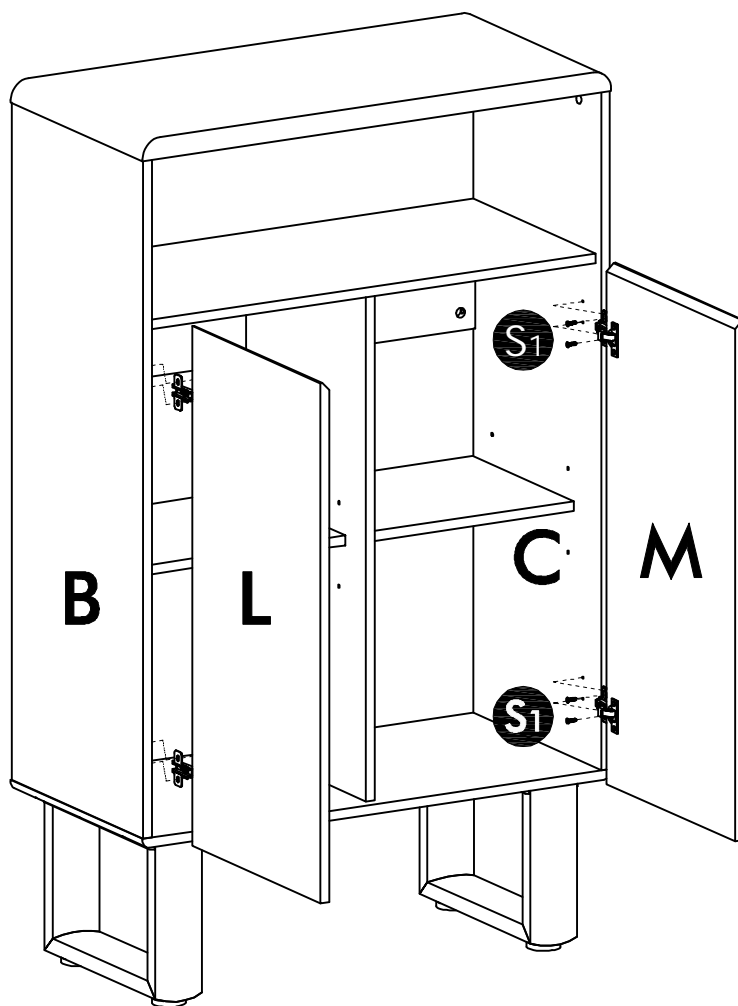
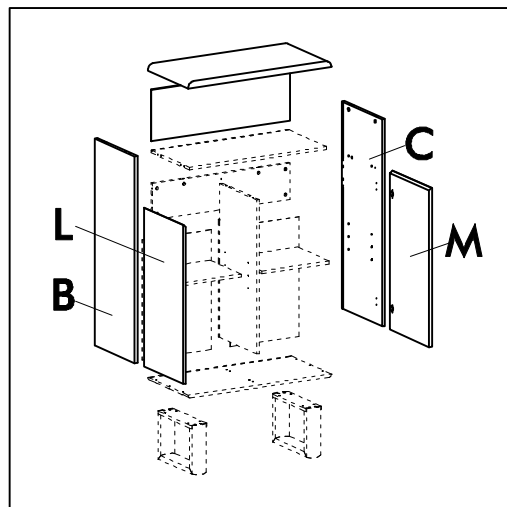
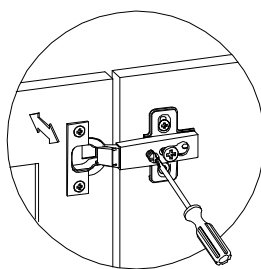
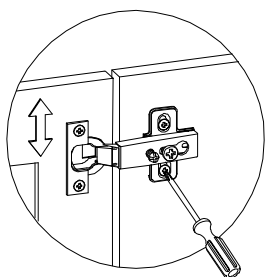
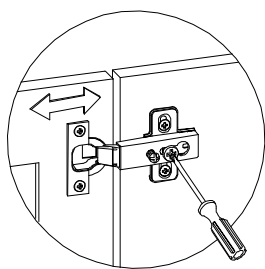


# STEP 15

S1

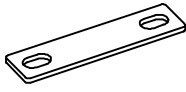


[ 8 ]



# STEP 16

J1

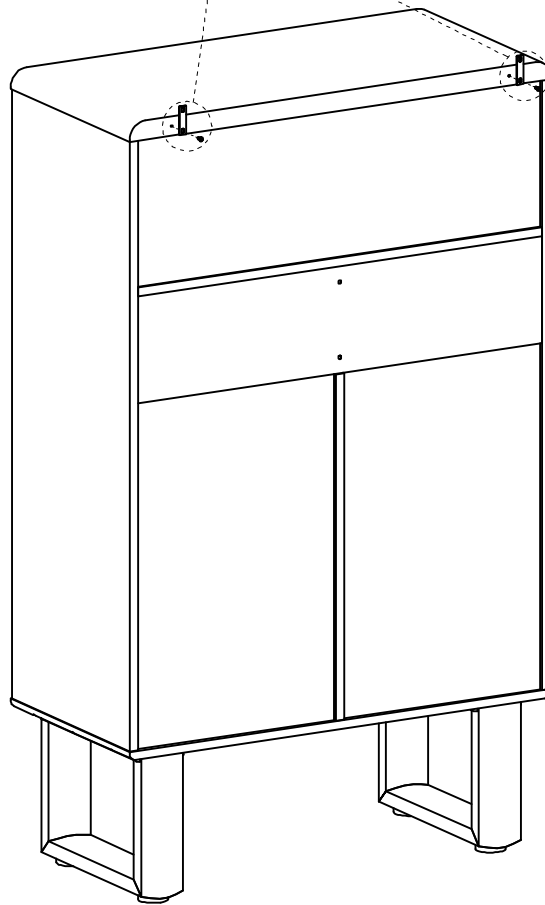
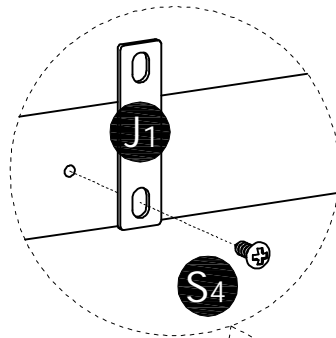
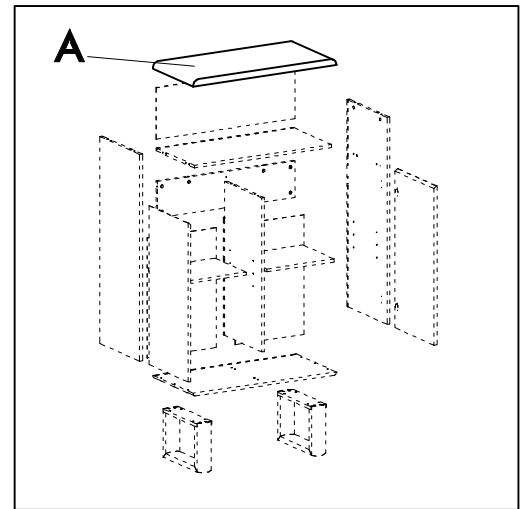


[ 2 ]

S4

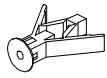


[ 2 ]



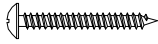
# STEP 17

I1

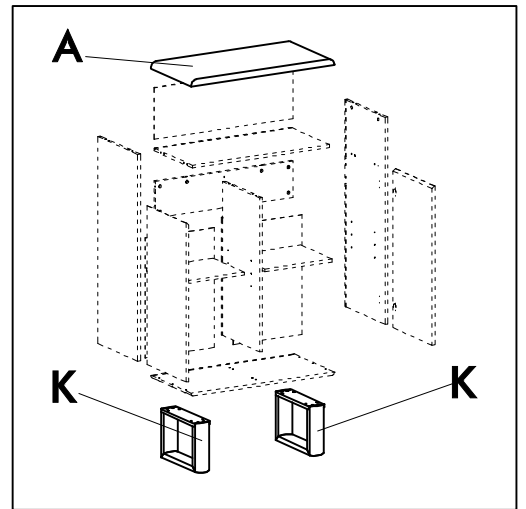


[ 2 ]

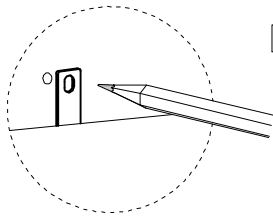
S5



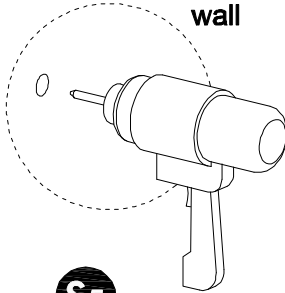
[ 2 ]



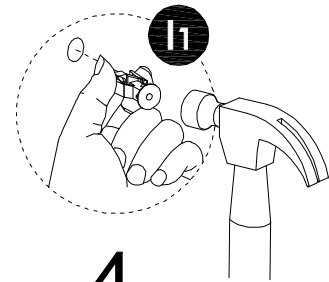
1  
Draw a dot on the wall



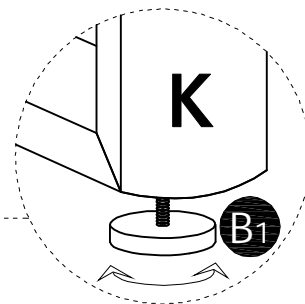
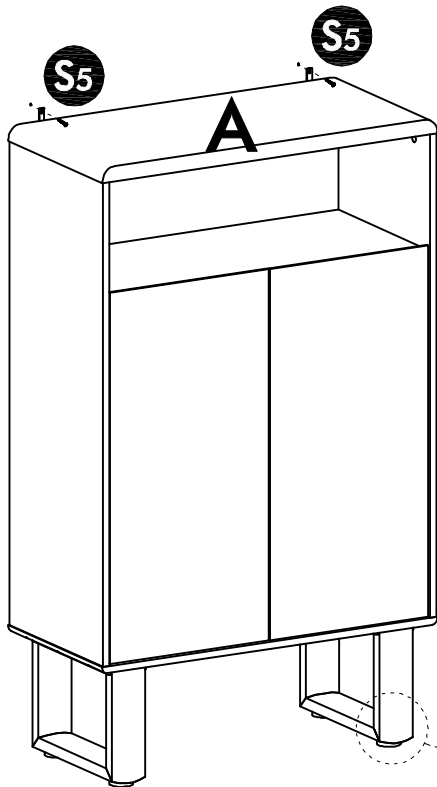
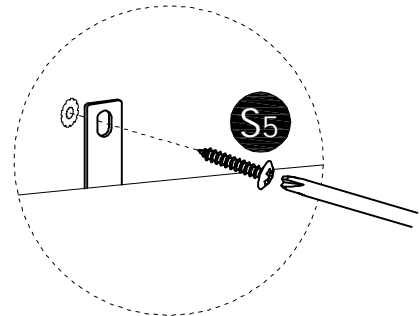
2  
Make a hole on the wall



3



4



## What is Proposition 65?

Proposition 65 is a California law that requires warning labels on products that may contain one of more than 800-plus chemicals or ingredients that the California Office of Environmental Health Hazard Assessment (OEHHA) has deemed to cause cancer or other reproductive toxicity. Chemicals and elements on this list include wood dust, brass, and other everyday substances, which can be found in very common household items, such as: lamps, tableware, jewelry, crystal glasses, electric cords, beauty products, automobiles, and furniture.

## Why Did I Find a Proposition 65 Warning on My Home Goods Product?

We include Proposition 65 warnings on all of our products because there is always a chance that one of the 800-plus common chemicals and ingredients listed under this law could potentially be on our furniture or packing materials. We risk large fines under this law, if we don't include this warning.

## Should I worry?

We realize you may be worried finding this warning on our products, but we want to reassure you that the hazardous exposure limits for any of these chemicals have never been found on furniture products that we've shipped to our customers. Additionally, this warning label is very common and can be found on almost every piece of furniture sold in the state of California.

## Just How Common Are Proposition 65 Warnings?

Proposition 65 warnings have become so common in California that it is hard to take a trip to local bank, grocery store, or restaurant without finding at least one warning. In fact, even the Disney Land Resort has a Proposition 65 warning:

