

Lighting Facts

Per Bulb, **Brightness 355 lumens, Estimated Yearly Energy Cost \$0.47** (Based on 3 hrs/day, 11¢/kWh. Cost depends on rates and use), **Life 13.7 years** (Based on 3 hrs/day), **Energy Used 3.9 watts, Light Appearance 2200-6500 (RGB) K**



Instant full light

120V~ 60Hz, 3.9W
 Wi-Fi compatibility:
 • Wi-Fi CERTIFIED™ 2.4GHz 802.11b/g/n
 • WPA3™ - Personal
 Requires Wi-Fi for full functionality.
 External accessories not included. Only use the control provided with or specified by the instructions to control this lamp. This lamp will not operate properly when connected to a standard (incandescent) dimmer or dimming control.

WIZ 3.9B12/Wi-Fi BLE Color/922-65 E26

3 YEAR WARRANTY* AÑOS DE GARANTÍA	90% ENERGY SAVING
15,000 h	50,000 On/Off
Color Rendering Index 90	

WARNINGS AND CAUTIONS:

Not for use in totally enclosed or recessed fixtures. Risk of electric shock, do not use where directly exposed to water. This device is not intended for use with emergency exit fixtures or emergency lights. Before replacing, turn off power and let lamp cool to avoid electrical shock or burn. Only install in operating environments between -4°F and 113°F (-20°C and +45°C).

NOTES:

This device complies with Part15 of the FCC Rules and Industry Canada licence-exempt RSS standard(s). Operation is subject to the following two conditions: (1) This device may not cause harmful interference, and (2) This device must accept any interference received, including interference that may cause undesired operation. Any changes or modifications not expressly approved by the party responsible for compliance could void the user's authority to operate the equipment. This Class B digital apparatus complies with Canadian ICES-005.

This device complies with FCC radiation exposure limits set forth for an uncontrolled environment. This device should be installed and operated with minimum distance 8 inches between the radiator& your body.

Product should not be used with dimmers. For dimming, use the WIZ application.

90% energy saving, when compared to 40W incandescent bulb. Only use the control provided with or specified by the instructions to control this lamp. Do not open. No user serviceable parts inside.

Wi-Fi®, the Wi-Fi logo, the Wi-Fi CERTIFIED logo are registered trademarks of Wi-Fi Alliance.

Wi-Fi CERTIFIED™, WPA™, WPA2™, WPA3™ are trademarks of Wi-Fi Alliance.

The Bluetooth® word mark and logos are registered trademarks owned by Bluetooth SIG, Inc.

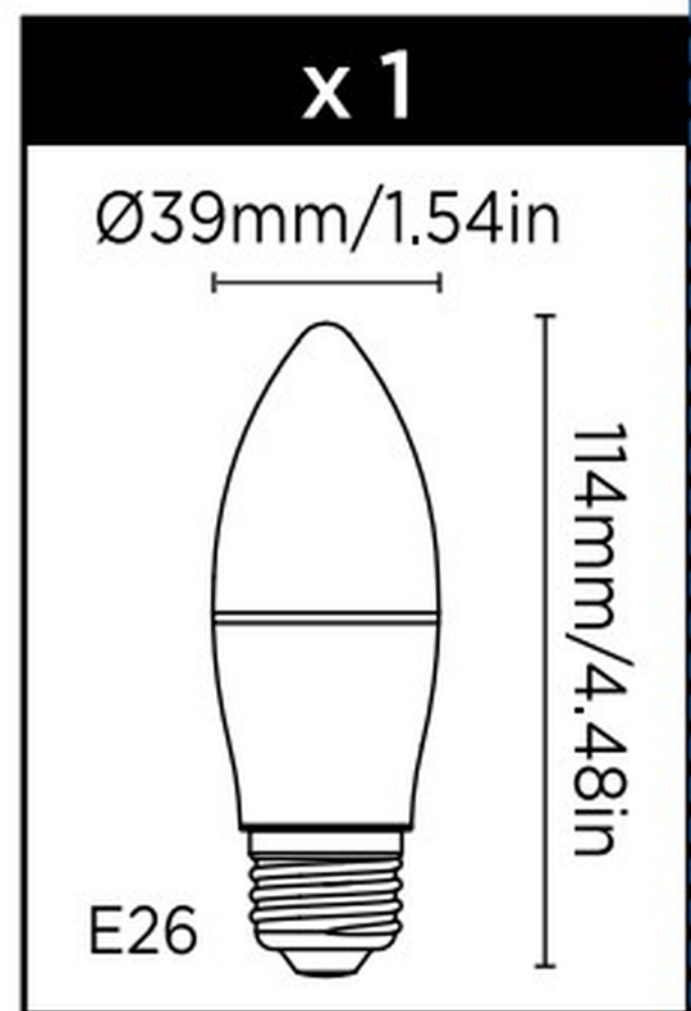
Amazon, Alexa and all related logos are trademarks of Amazon.com, Inc. or its affiliates. Google, Google Play and the Google Play logo are the trademark of Google LLC. The Apple logo and Siri are the registered trademark of Apple Inc.

Any use of such marks by Signify is under license. Other trademarks and trade names are those of their respective owners.

* Subject to the terms and conditions on wizconnected.com

WIZ - Protected under technologies & design patents, copyrights and trademarks.

Design and specifications are subject to change without notice.



contiene: Lámpara de LED B12 , 1 pza