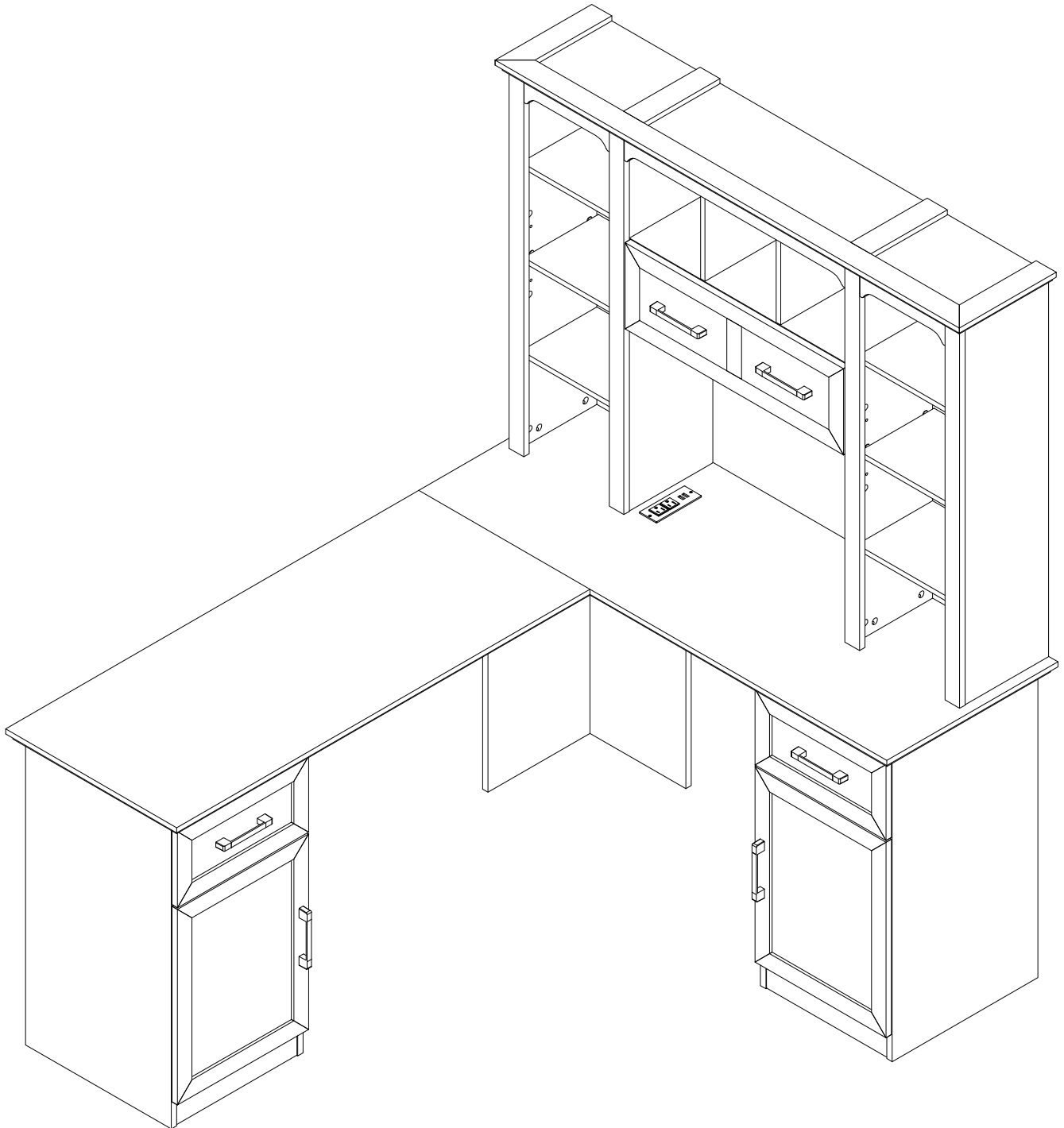
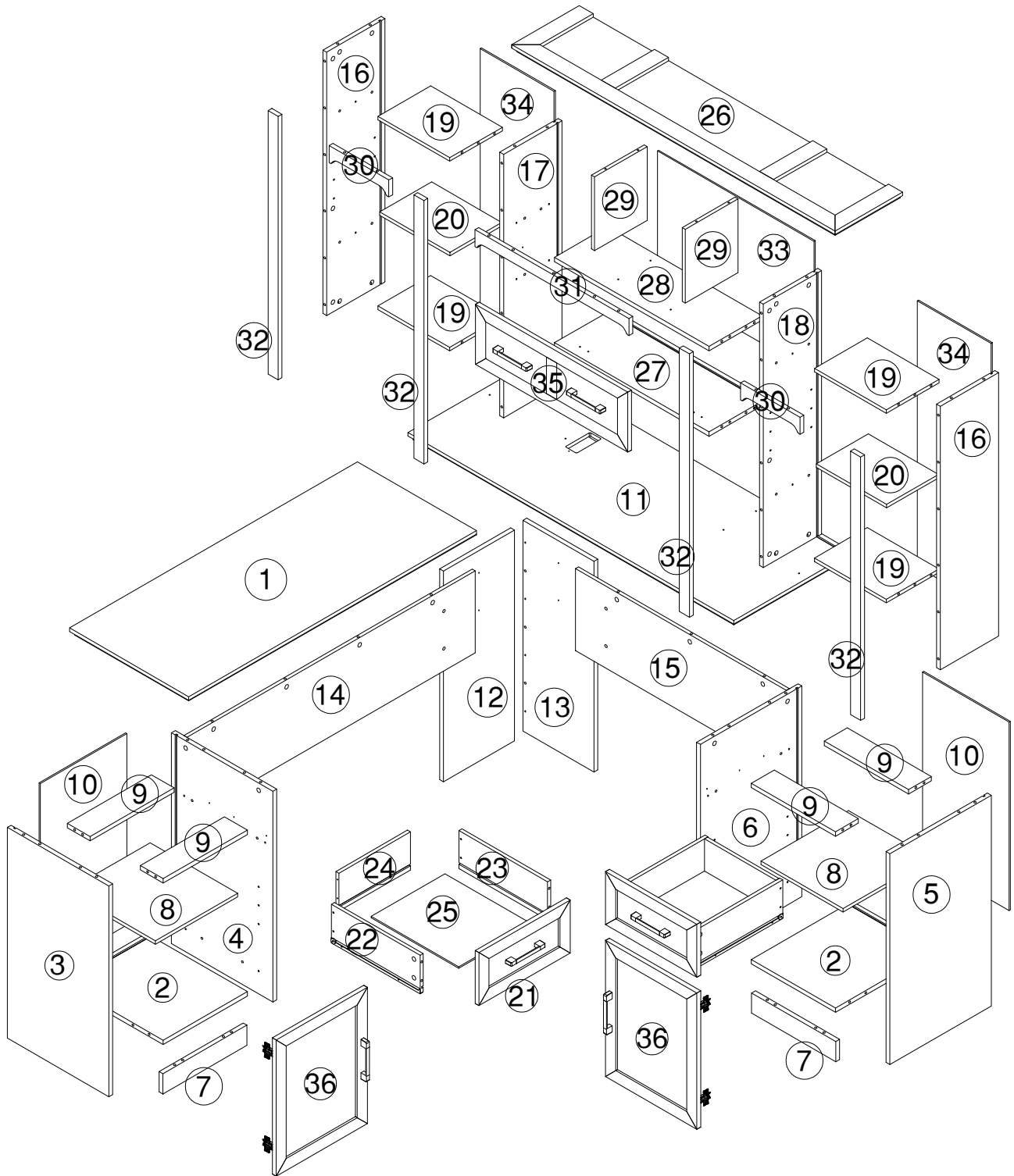


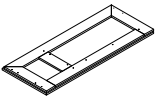
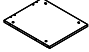
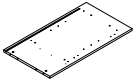
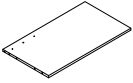
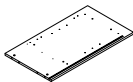
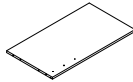



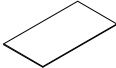
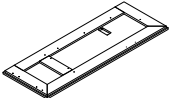

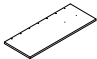

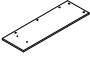
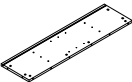
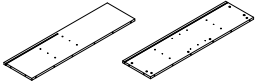
Assembly Instructions

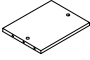

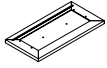


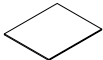
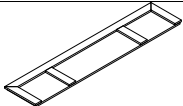
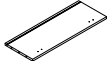
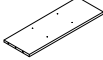



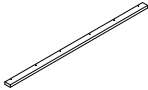
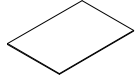
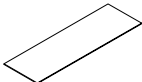
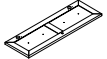
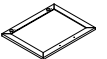


Exploded view

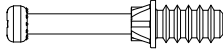
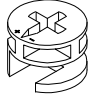
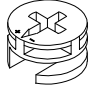

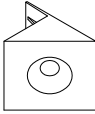
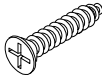
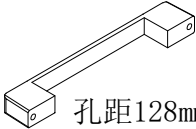
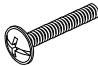

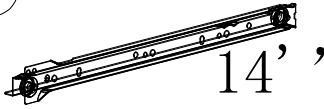
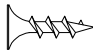
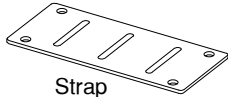
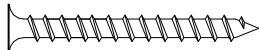


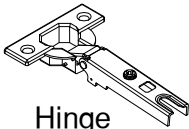
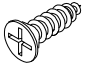
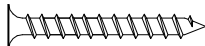

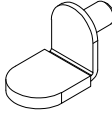
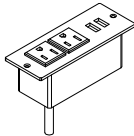
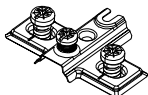



Component parts supplied

Ref	Dimensions	Visual	Qty
1	1145*470*24		1
2	332*398*15		2
3	720*400*15		1
4	720*400*15		1
5	720*400*15		1
6	720*400*15		1
7	332*69*15		2
8	324*345*12		2
9	332*90*15		4
10	644*341*5		2
11	1285*470*24		1
12	720*280*15		1
13	720*280*15		1
14	1137*280*12		1
15	832*280*12		1
16	900*230*15		2
17/18	900*230*15		2

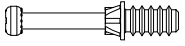
Ref	Dimensions	Visual	Qty
19	283*208*12		4
20	275*205*12		2
21	360*181*15		2
22/23	350*130*12		4
24	282*130*12		2
25	345*291*5		2
26	1275*266*24		1
27	609*228*15		1
28	609*209*15		1
29	250.5*208*15		2
30	235*58*15		2
31	607*58*15		1
32	900*40*15		4
33	617*451*5		1
34	909*291*5		2
35	600*205*15		1
36	465*360*15		2

Parts and fittings

<p>(A) ×102</p>  <p>Φ6×34mm</p>	<p>(B) ×75</p>  <p>Φ15*12mm</p>	<p>(C) ×27</p>  <p>Φ15*10mm</p>
<p>(D) ×49</p>  <p>Φ8*30mm</p>	<p>(E) ×20</p> 	<p>(F) ×20</p>  <p>Φ3*18mm</p>
<p>(G) ×6</p>  <p>孔距128mm</p>	<p>(H) ×4</p>  <p>M4*19mm</p>	<p>(J) ×8</p>  <p>M4*10mm</p>
<p>(K) ×2</p>  <p>14', 350*27mm</p>	<p>(L) ×26</p>  <p>Φ3.5*11mm</p>	<p>(M) ×1</p>  <p>Strap</p>
<p>(N) ×4</p>  <p>Φ5*50mm</p>	<p>(O) ×1</p> 	<p>(P) ×6</p>  <p>Ø3.5*12mm</p>
<p>(Q) ×6</p>  <p>Hinge</p>	<p>(R) ×12</p>  <p>Φ4*15mm</p>	<p>(S) ×8</p>  <p>Φ4*40mm</p>
<p>(T) ×4</p>  <p>Φ4*25mm</p>	<p>(U) ×16</p> 	<p>(V) ×1</p> 
<p>(QQ) ×6</p>  <p>Mounting Plate</p>	<p>(Y) ×26</p> 	

Step 1

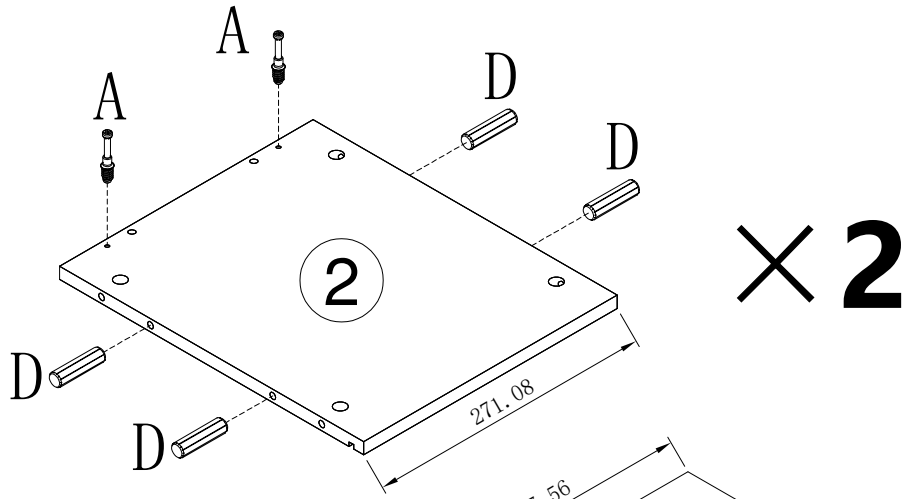
(A) × 4



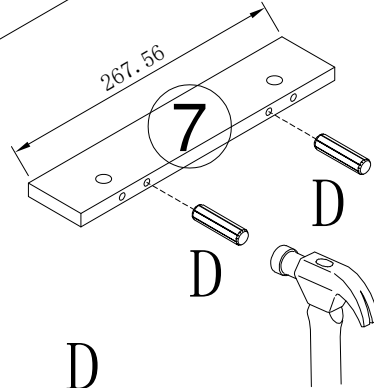
(B) × 4



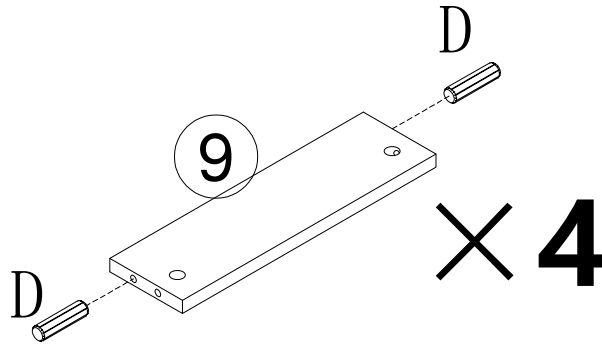
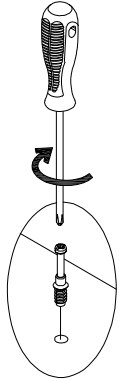
(D) × 20



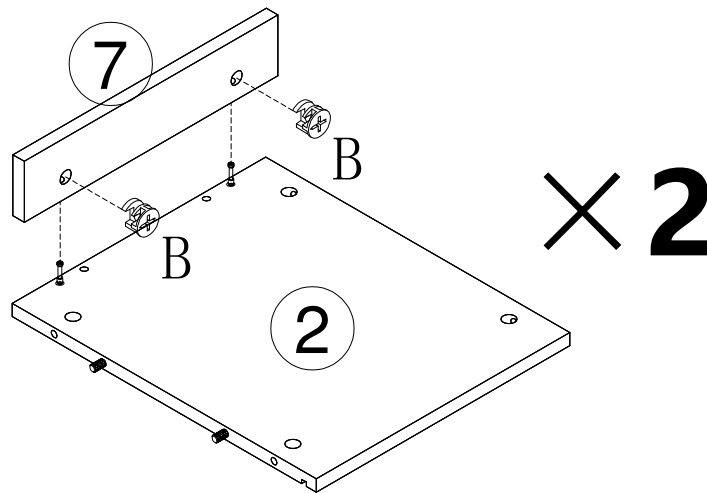
× 2



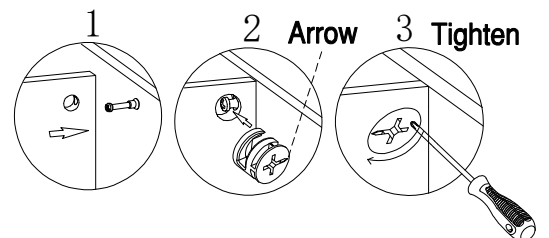
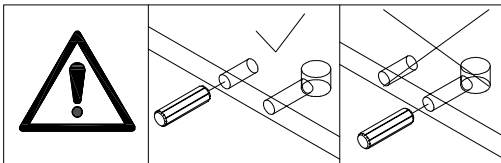
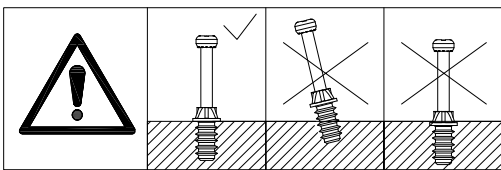
× 2



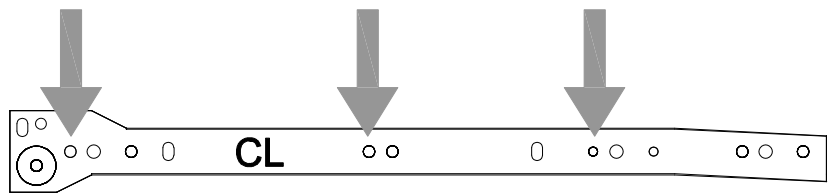
× 4



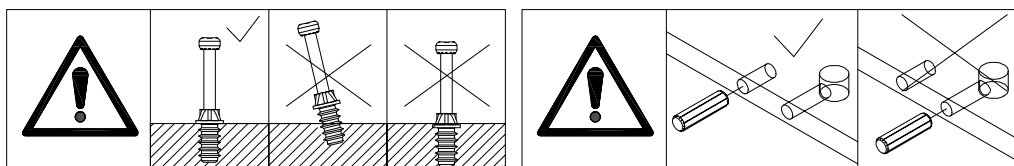
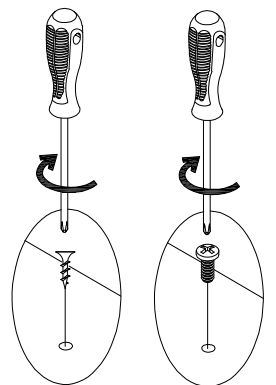
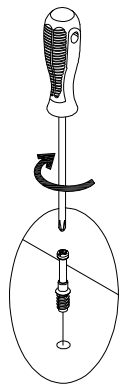
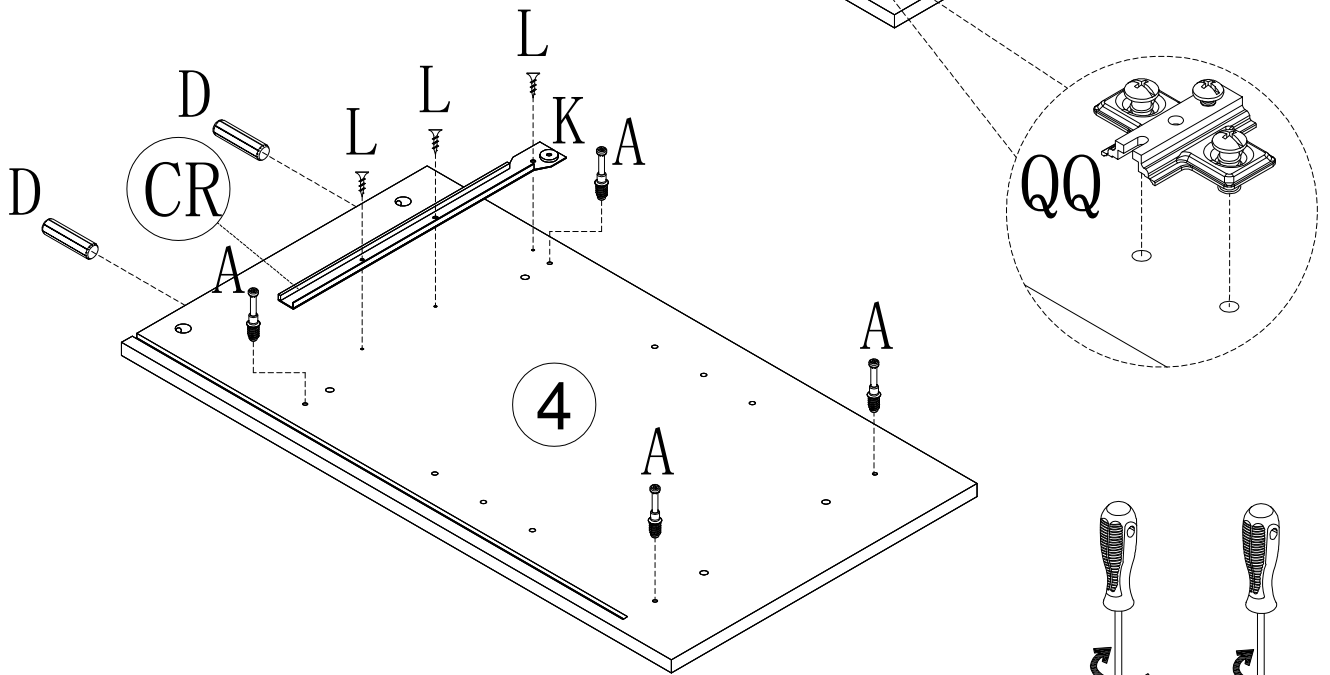
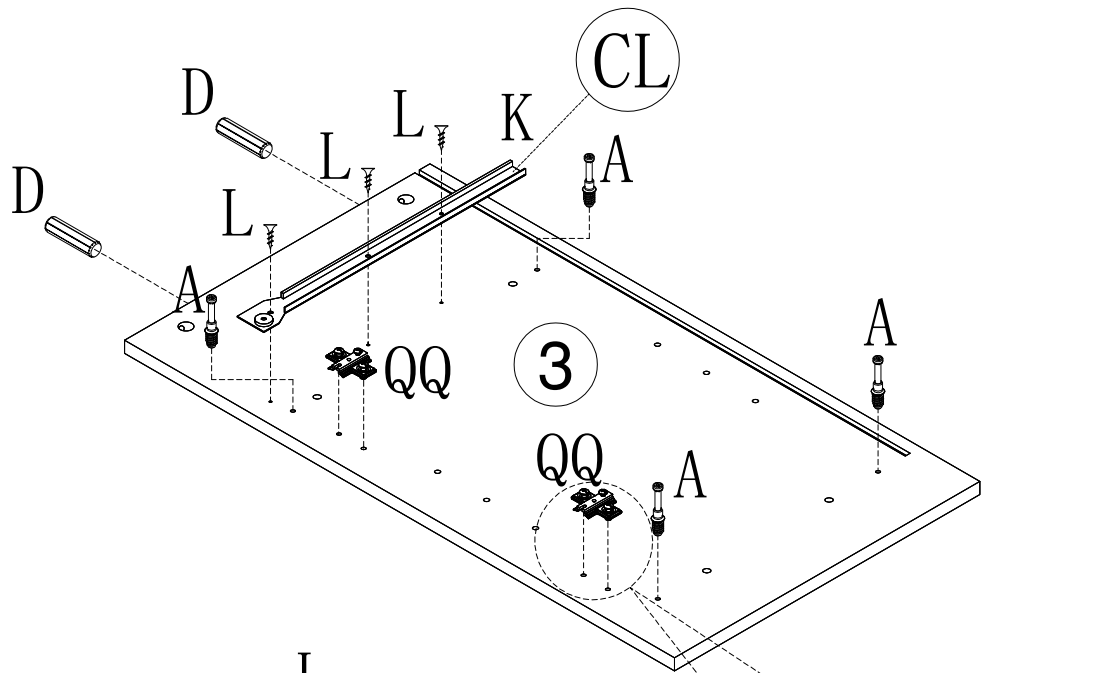
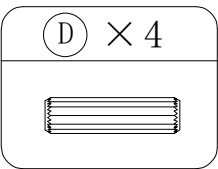
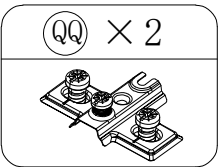
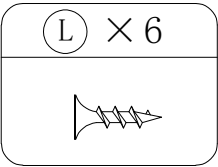
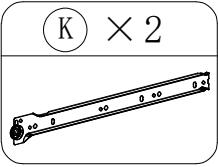
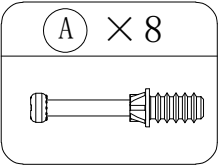
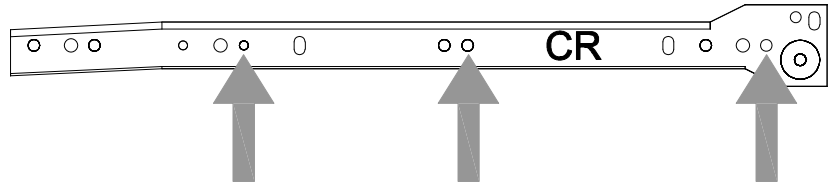
× 2



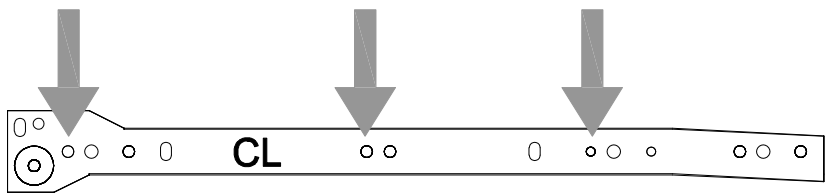
Step 2



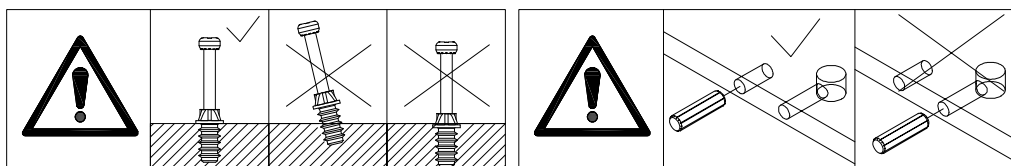
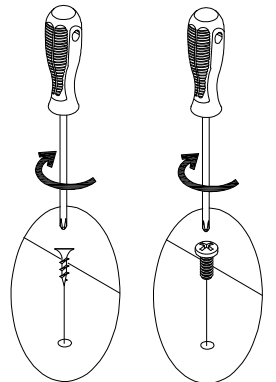
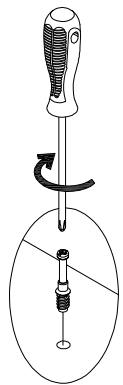
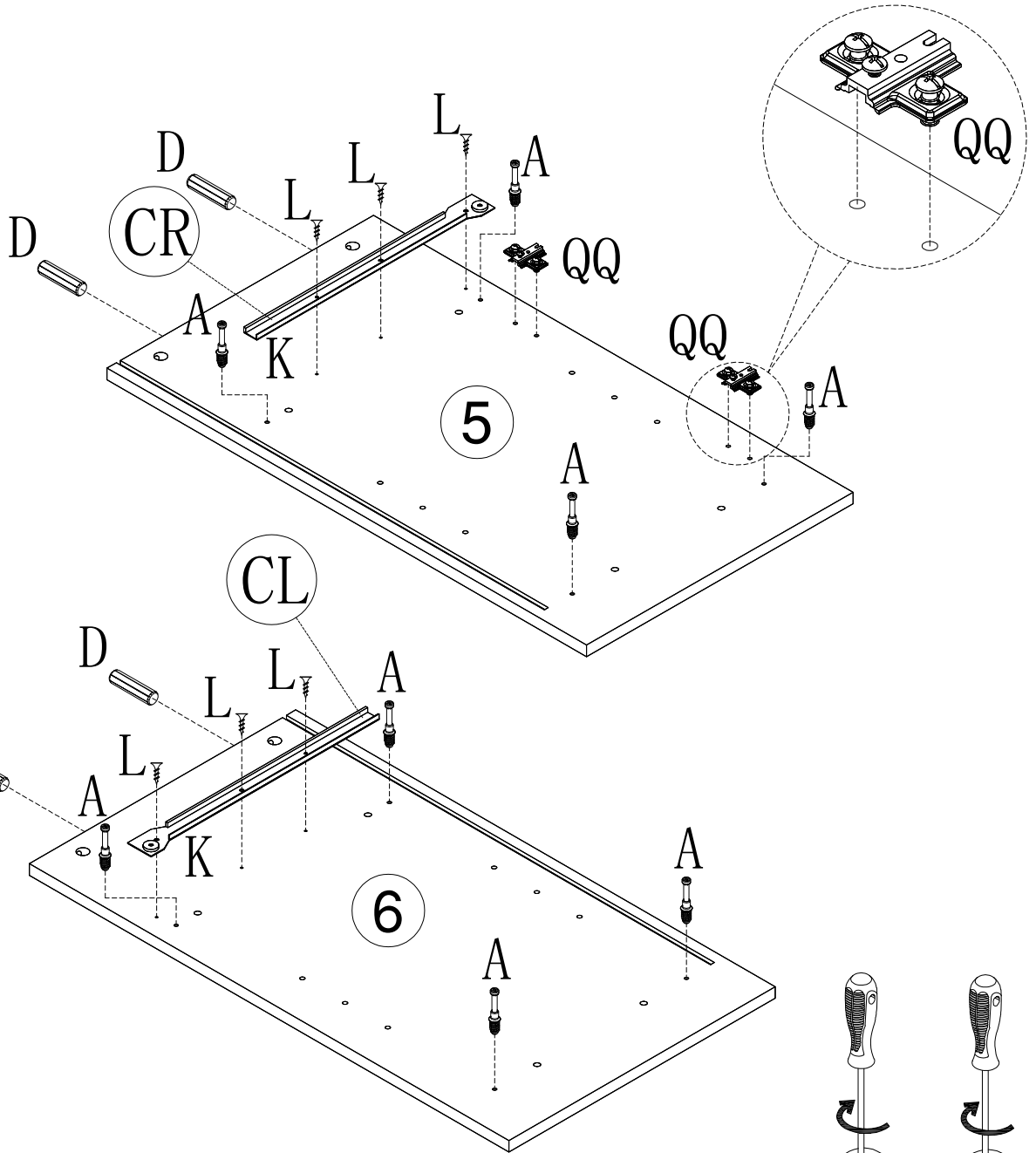
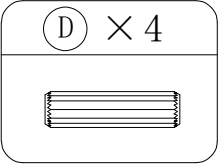
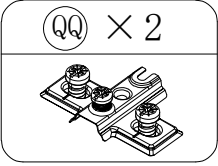
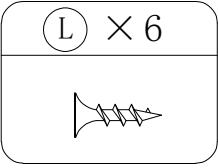
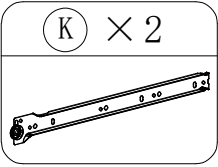
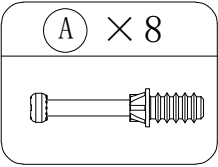
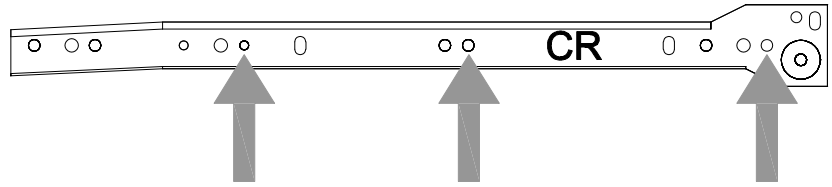
Please fasten the screws through these holes for this step



Step 3

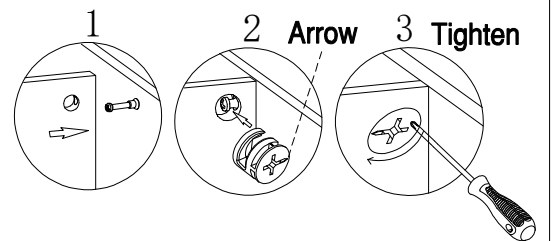
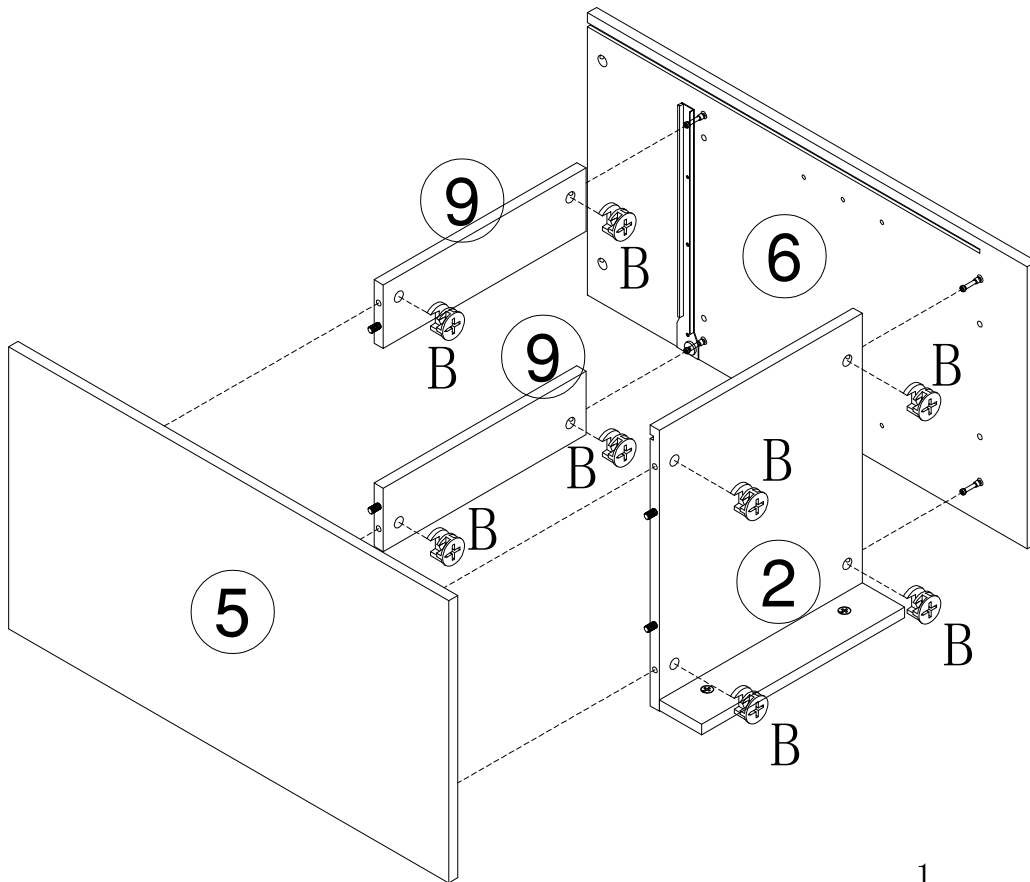
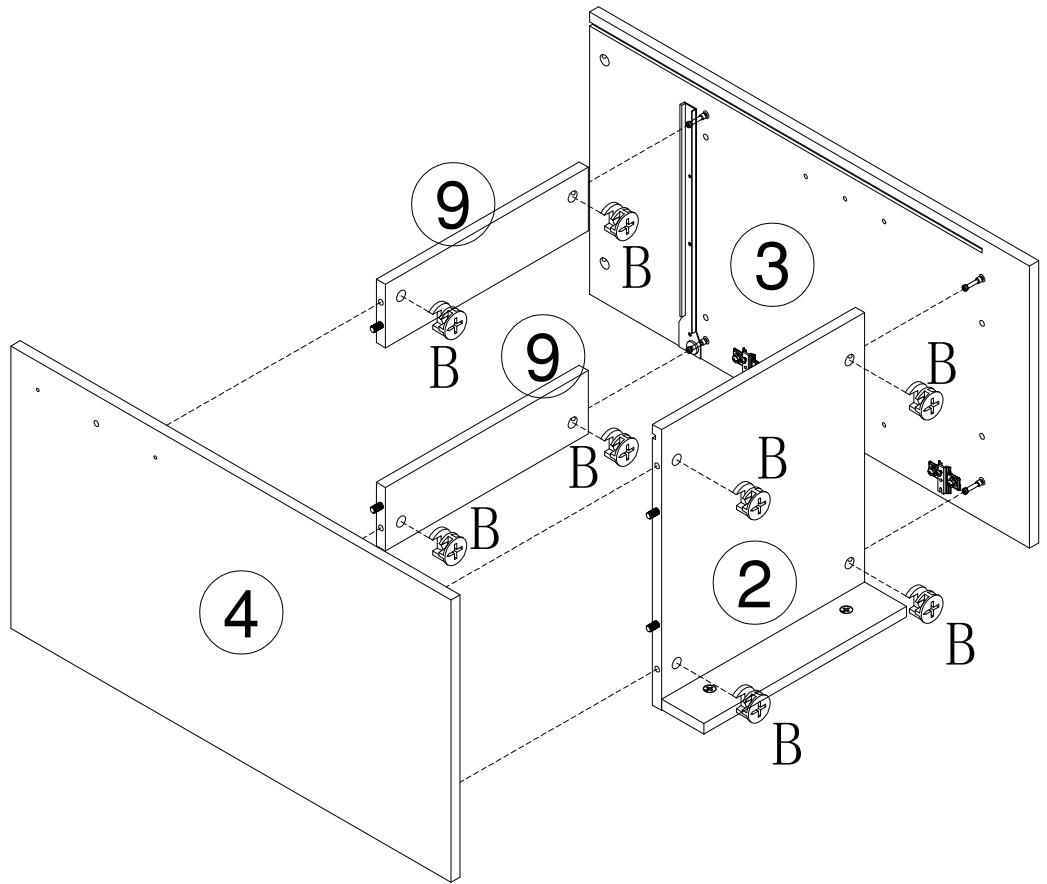


Please fasten the screws through these holes for this step

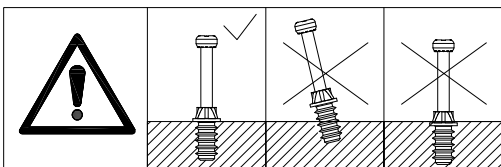
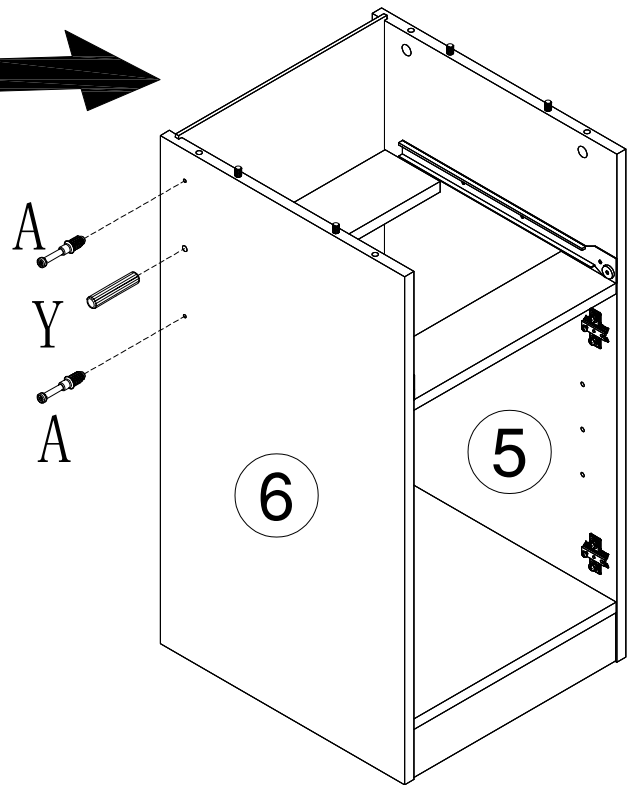
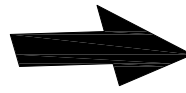
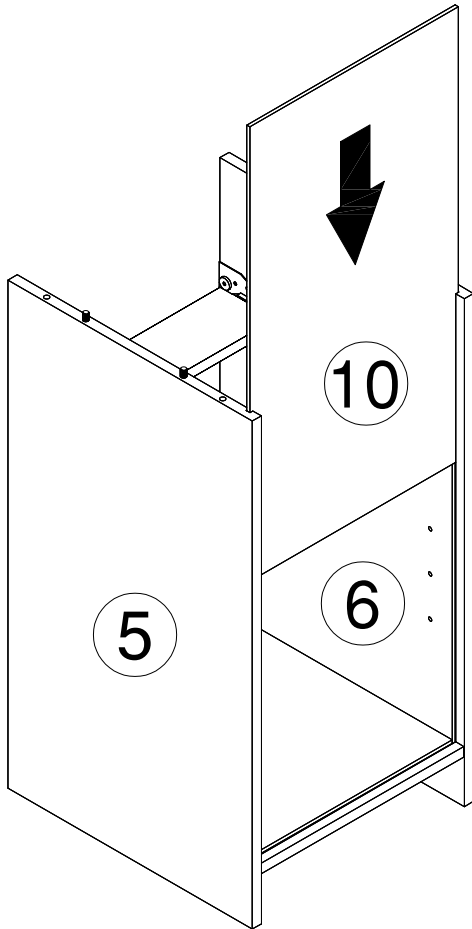
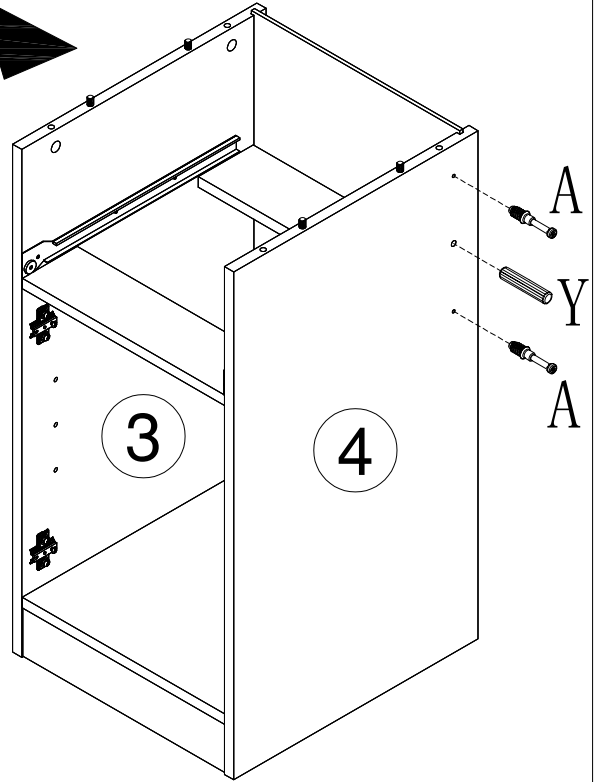
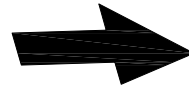
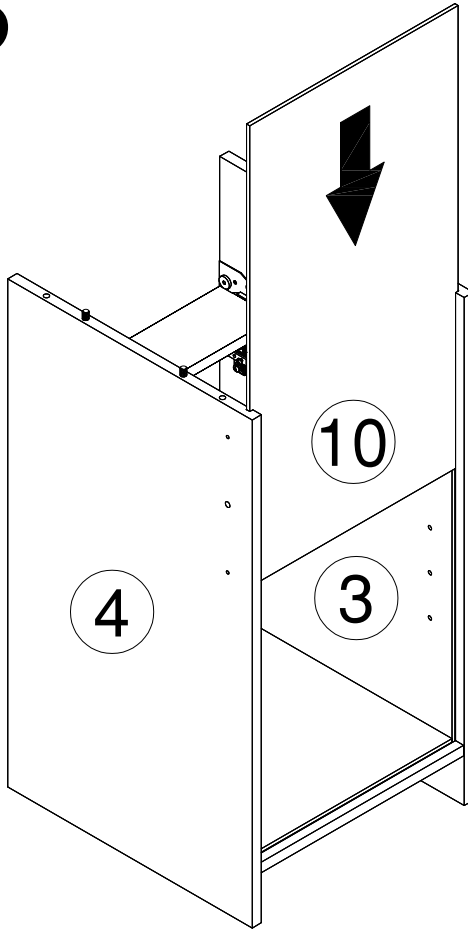
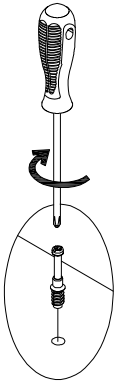
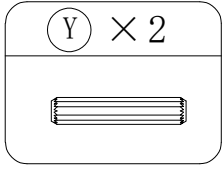
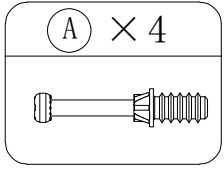


Step 4

(B) × 16

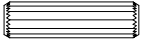


Step 5

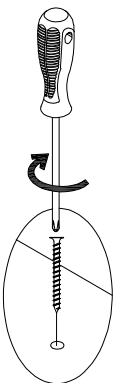
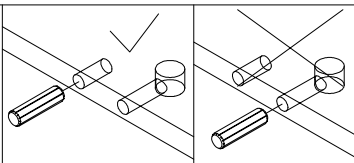
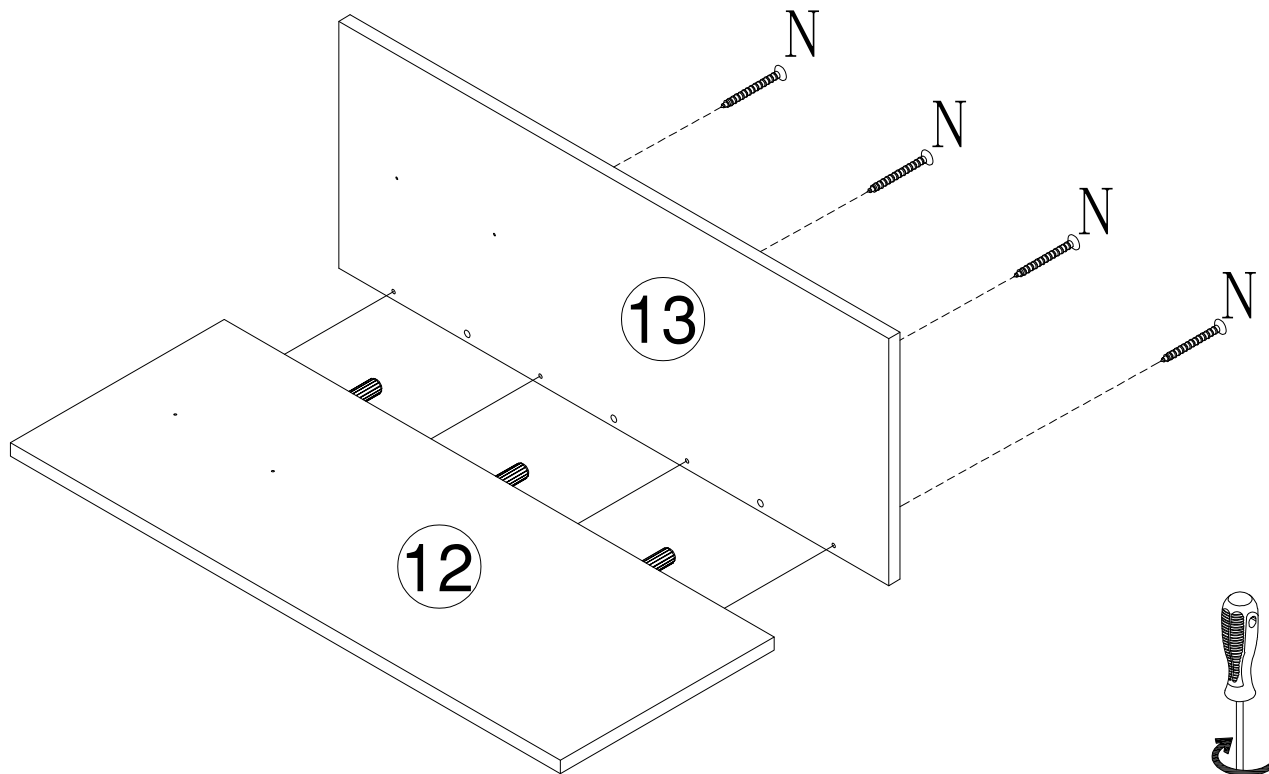
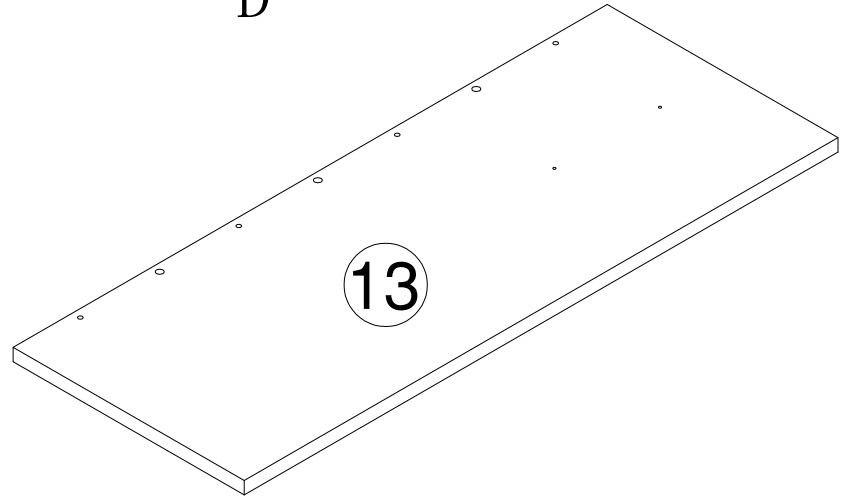
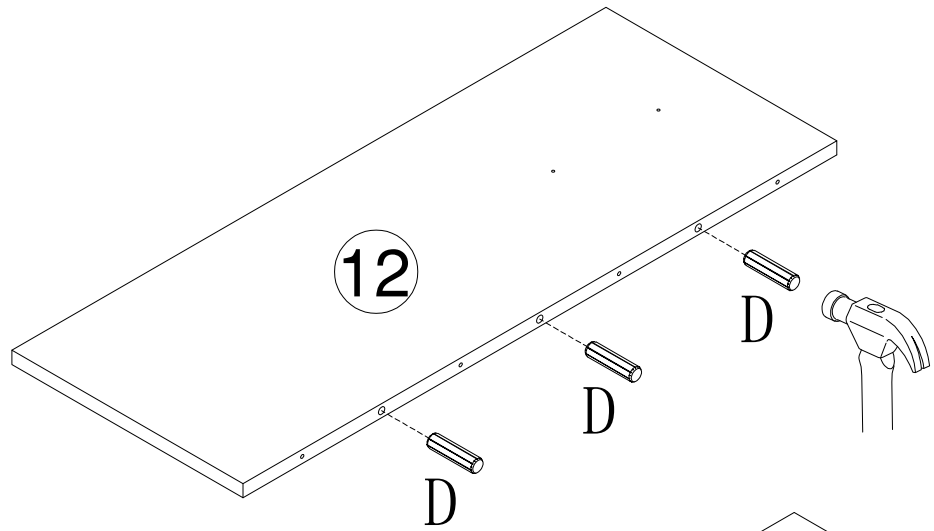
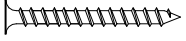


Step 6

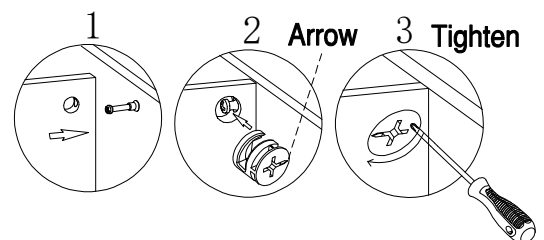
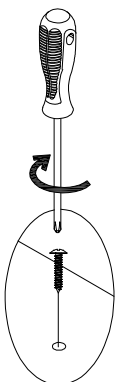
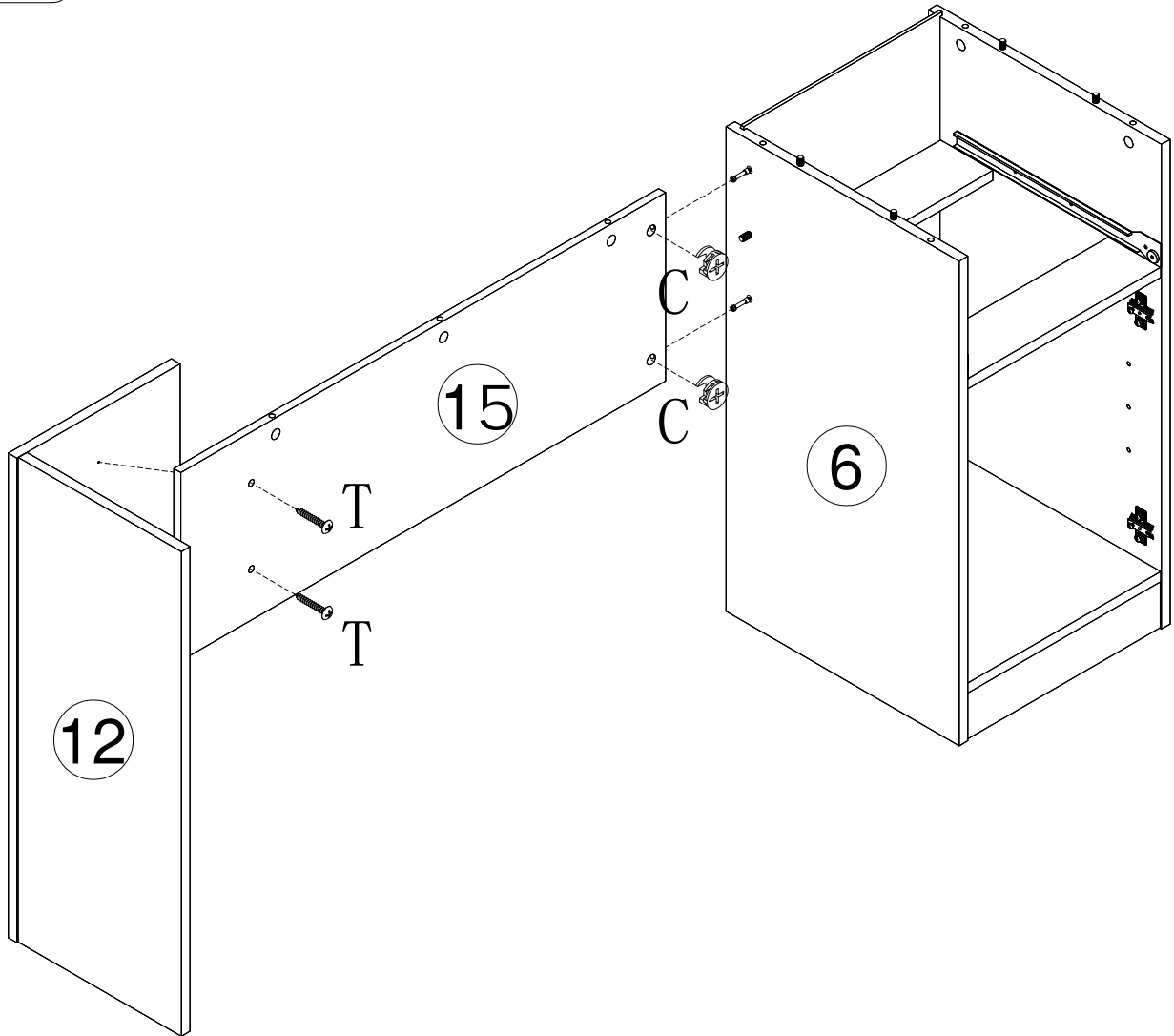
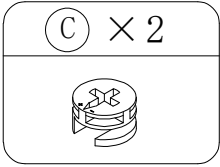
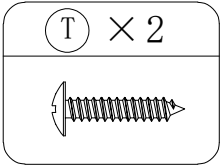
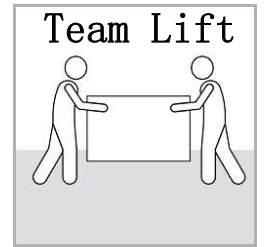
(D) × 3



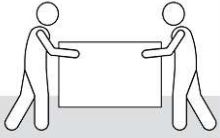
(N) × 4



Step 7

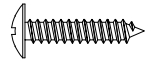


Team Lift

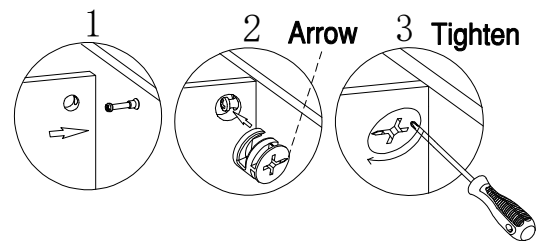
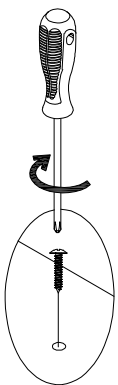
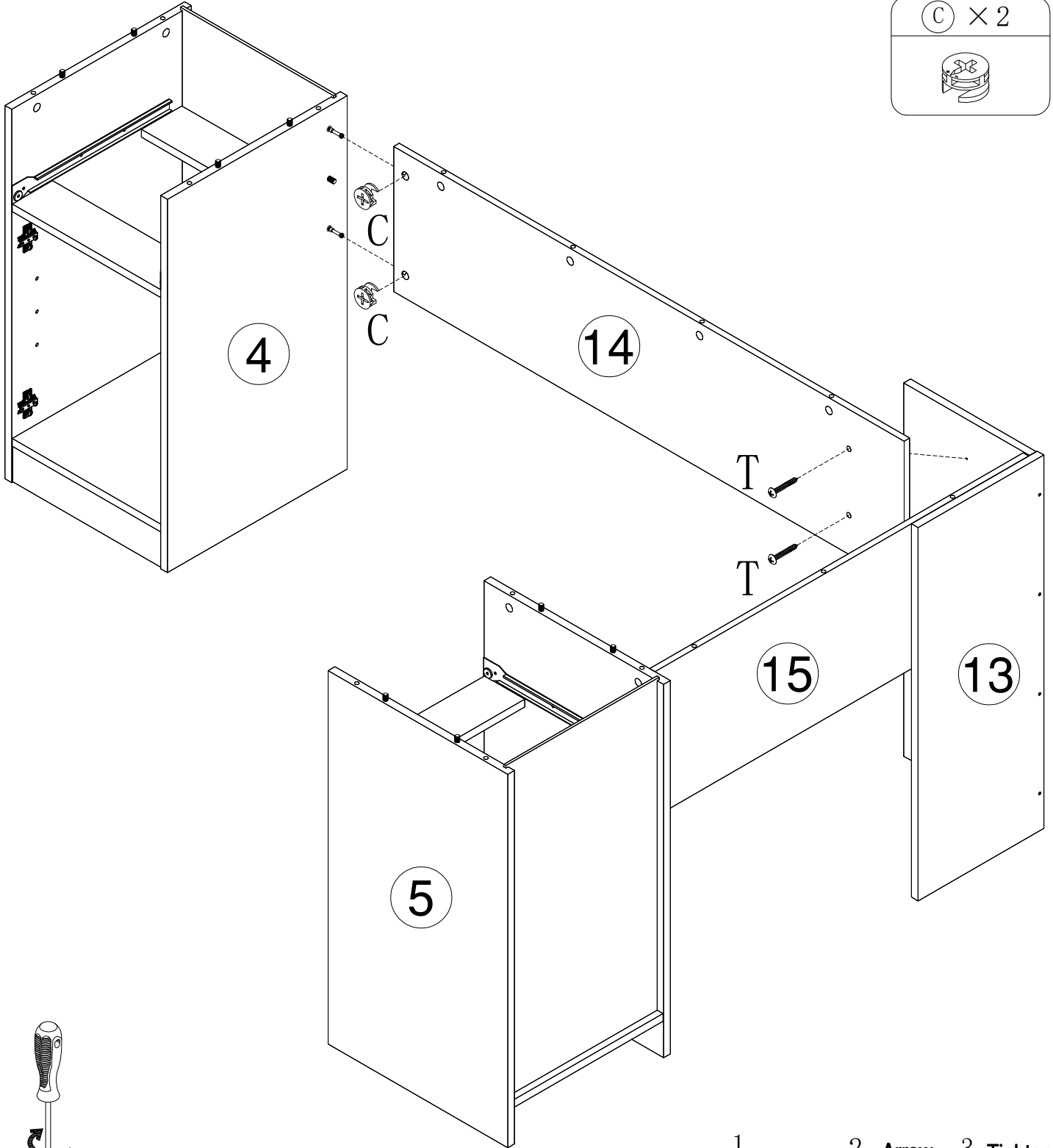


Step 8

(T) × 2

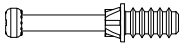


(C) × 2

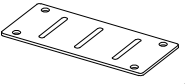


Step 9

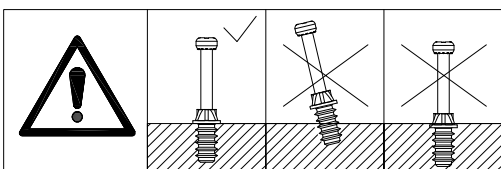
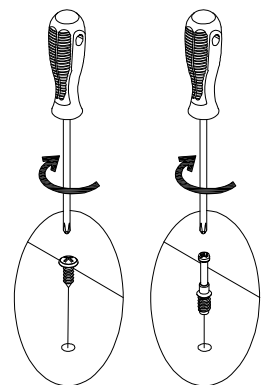
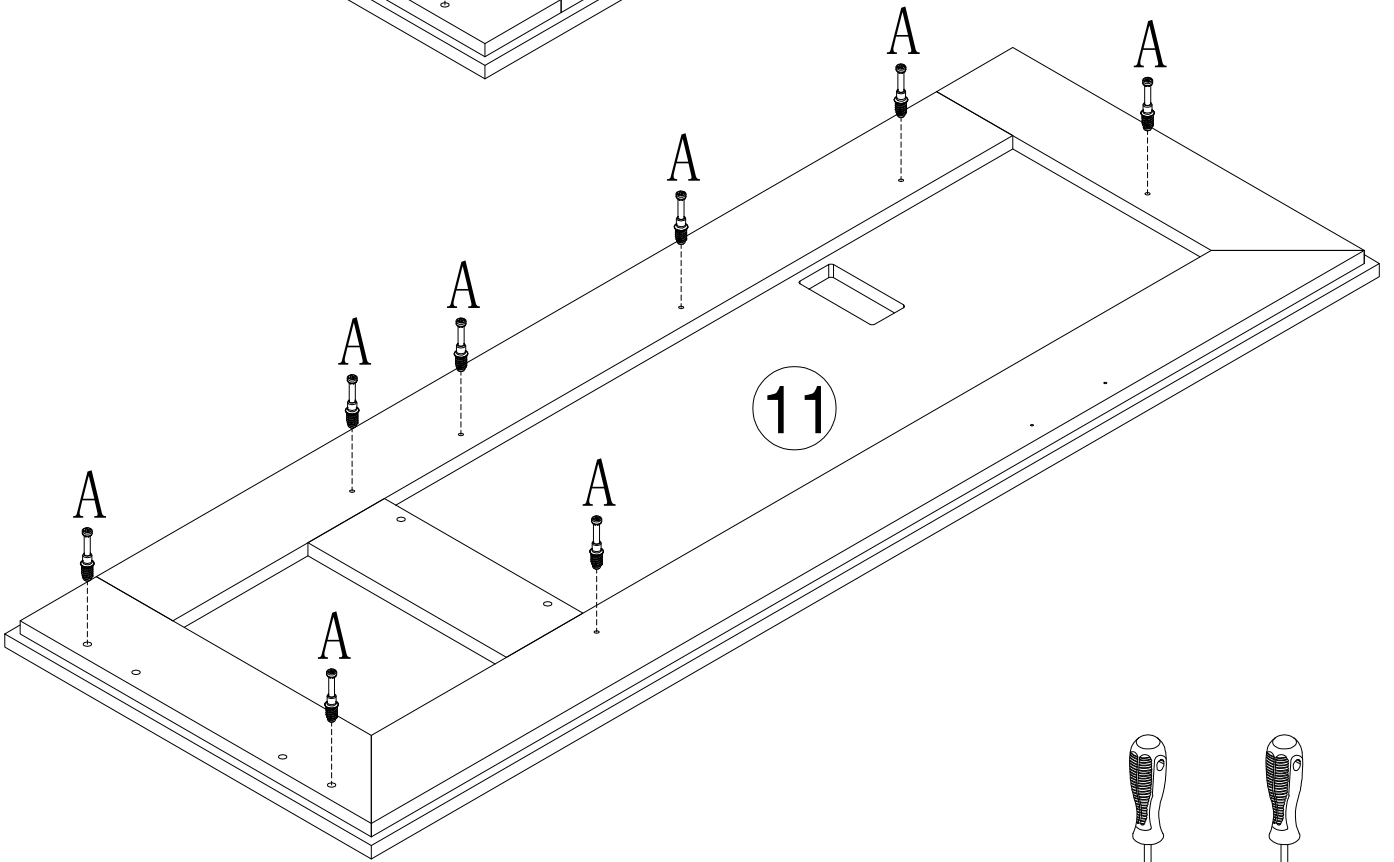
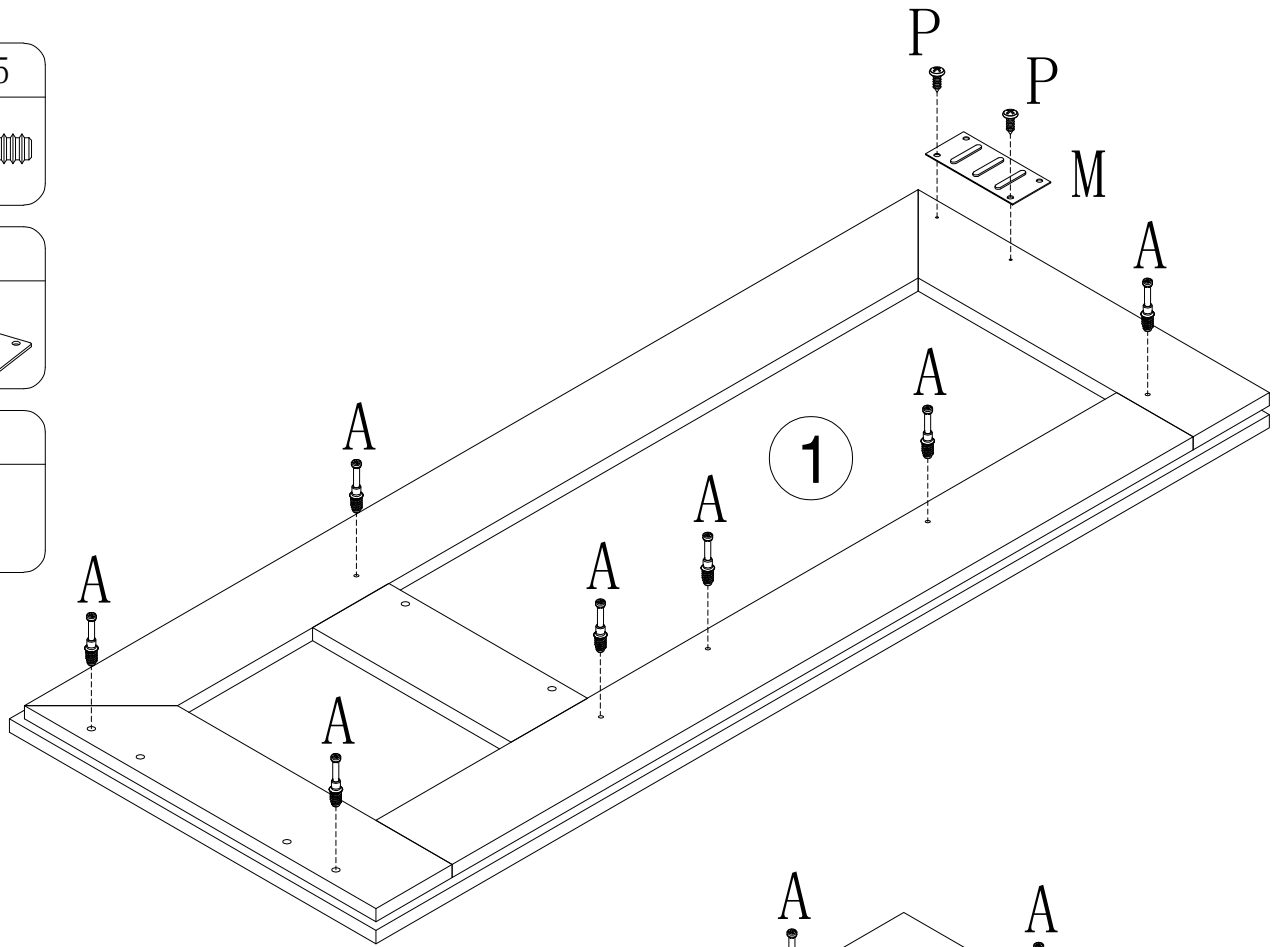
(A) × 15



(M) × 1



(P) × 2

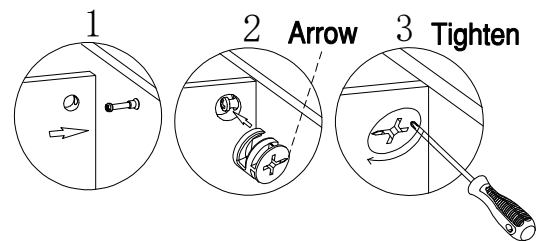
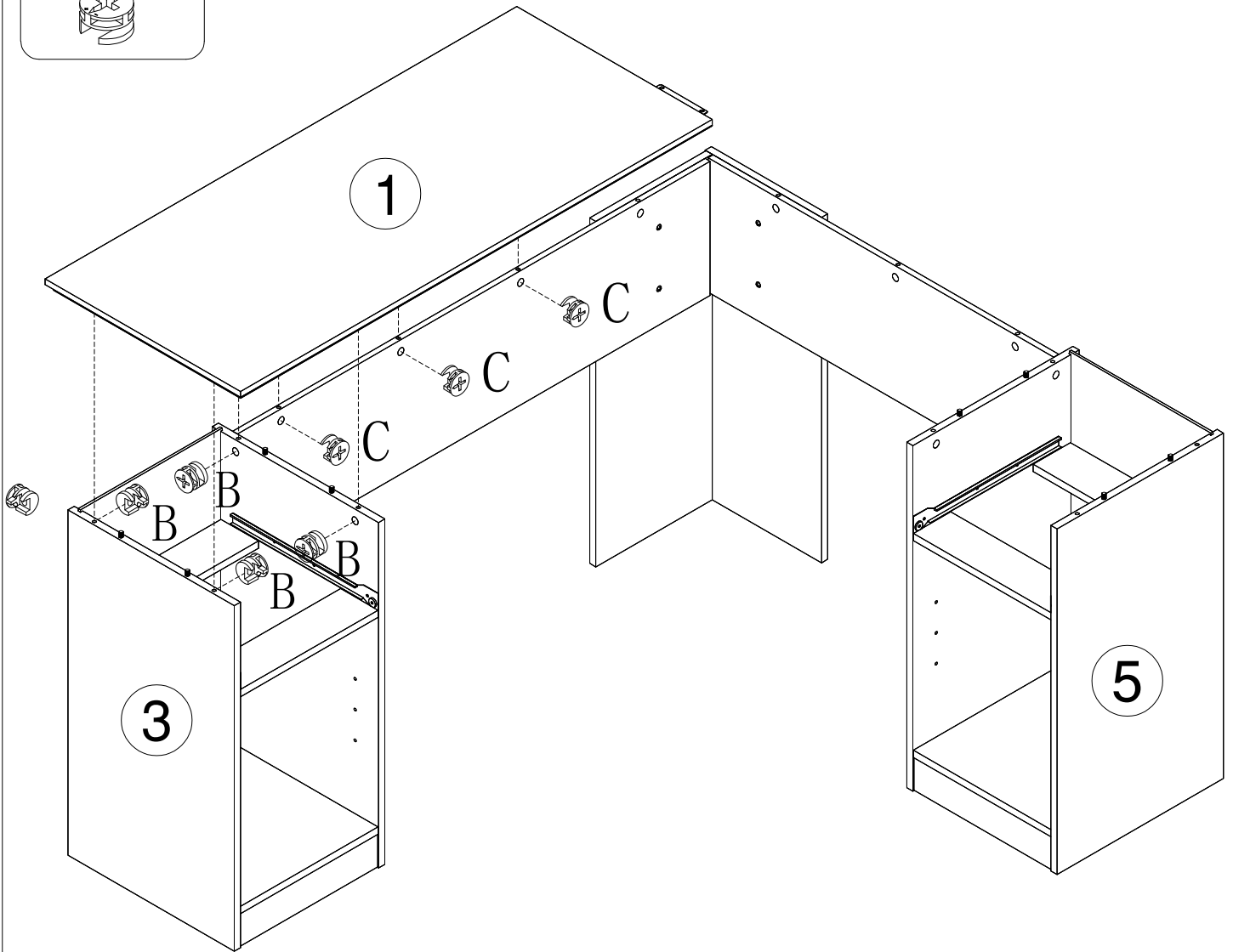


Step 10

(B) × 4



(C) × 3

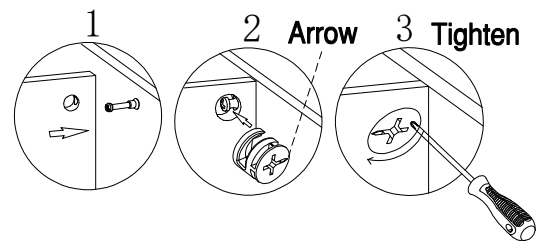
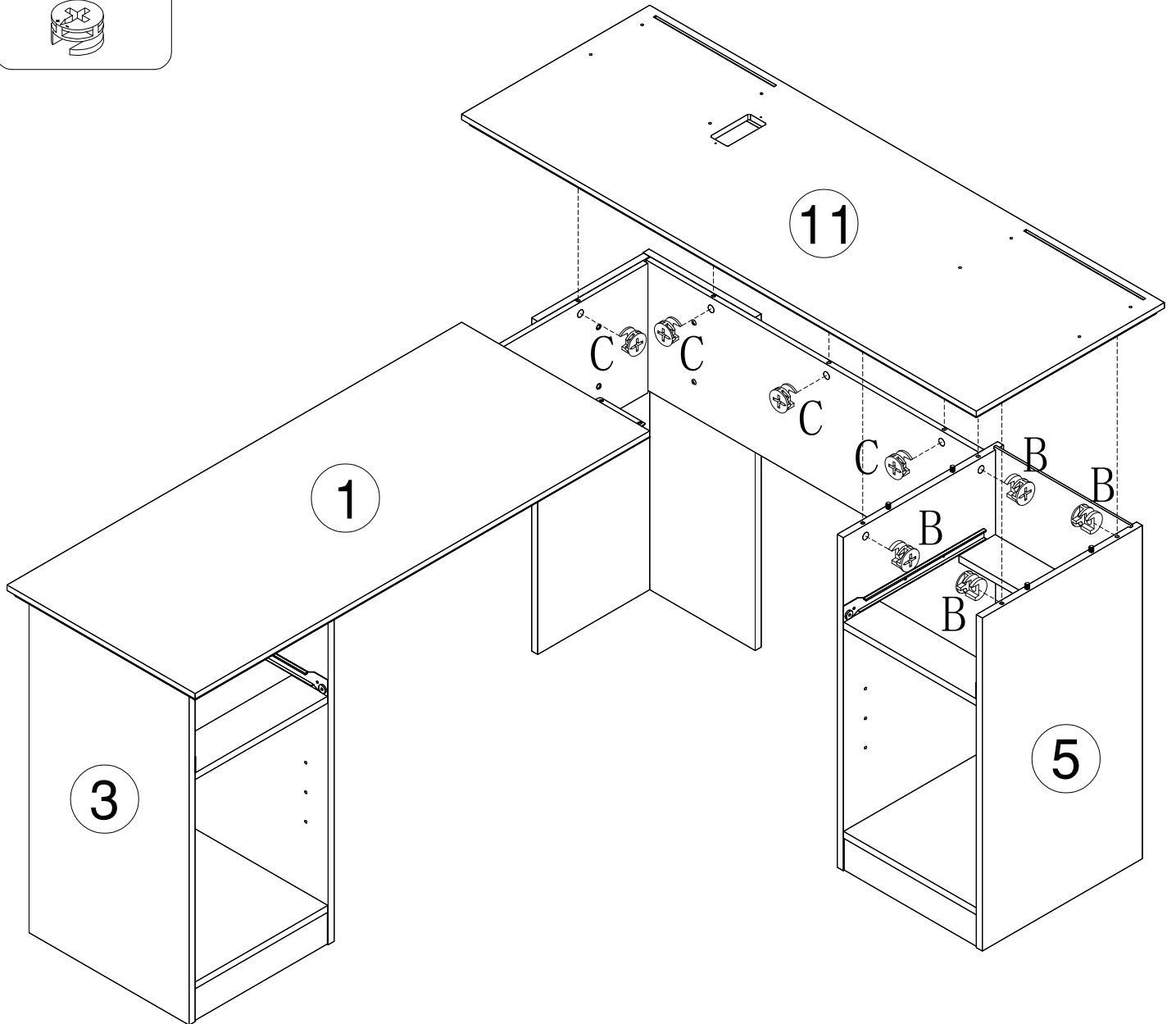


Step 11

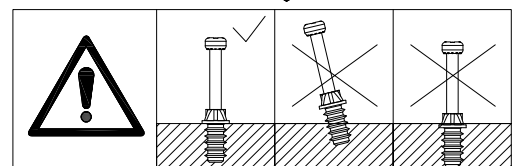
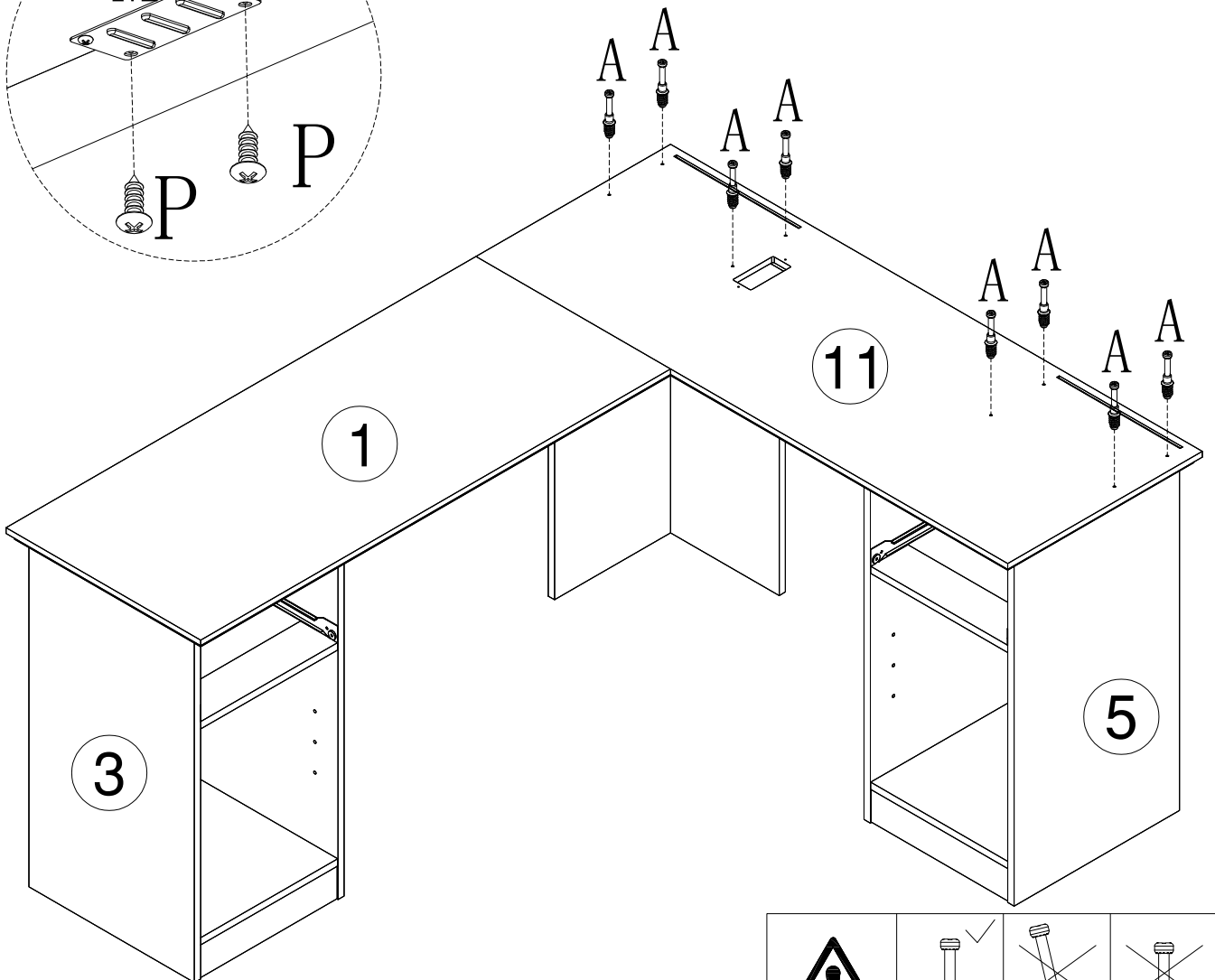
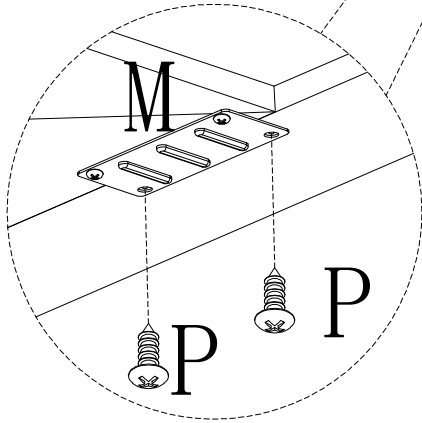
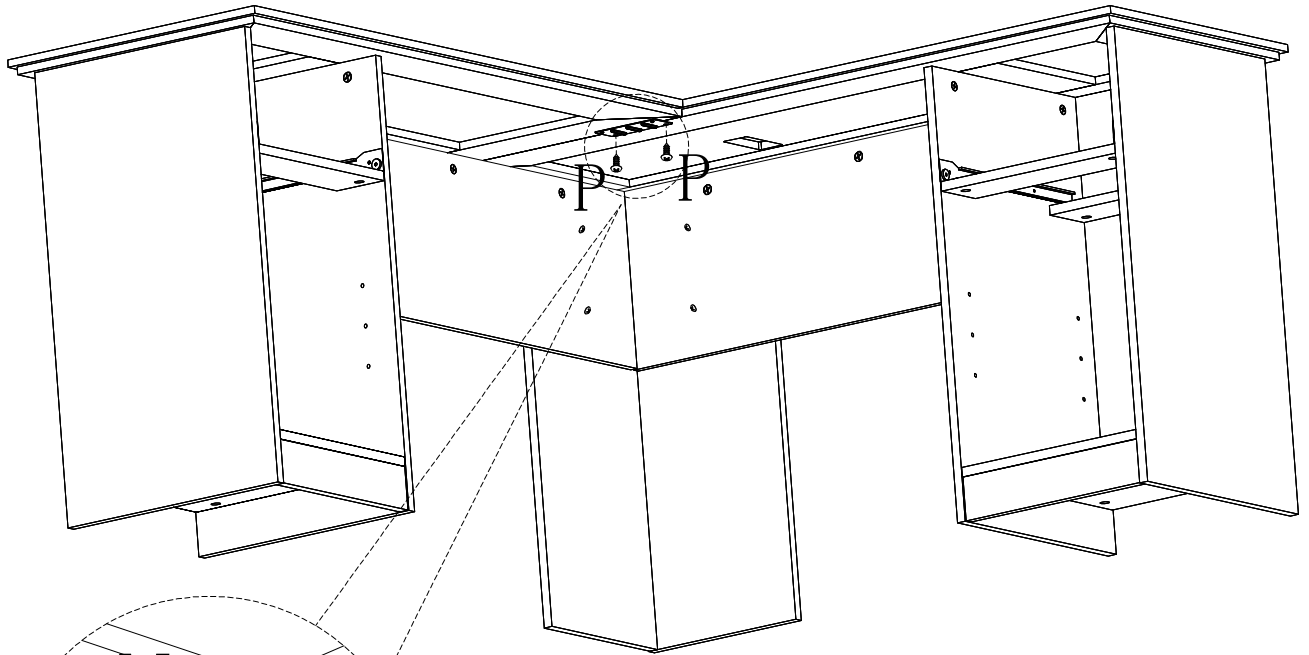
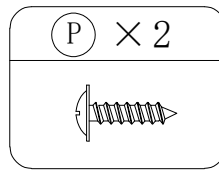
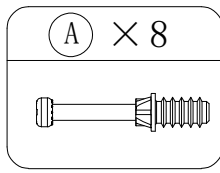
(B) × 4



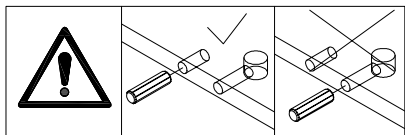
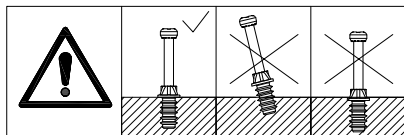
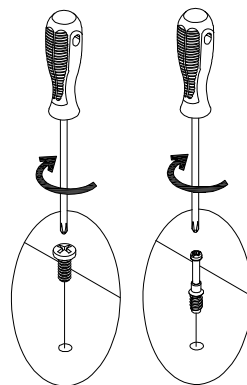
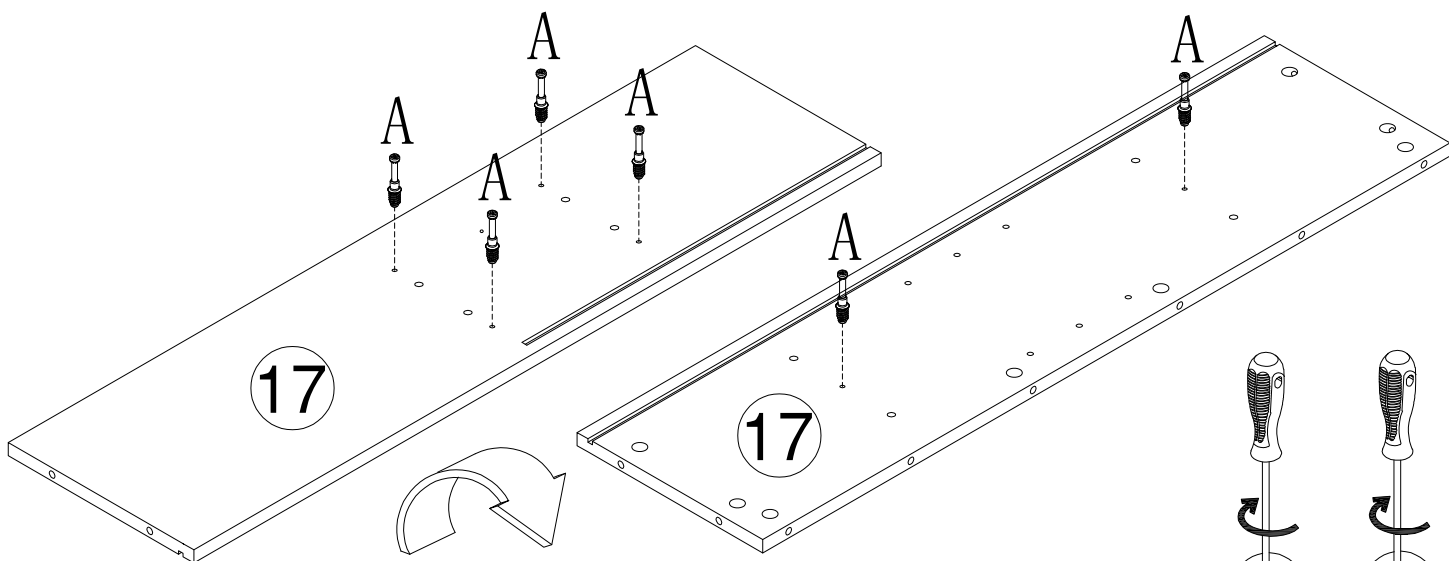
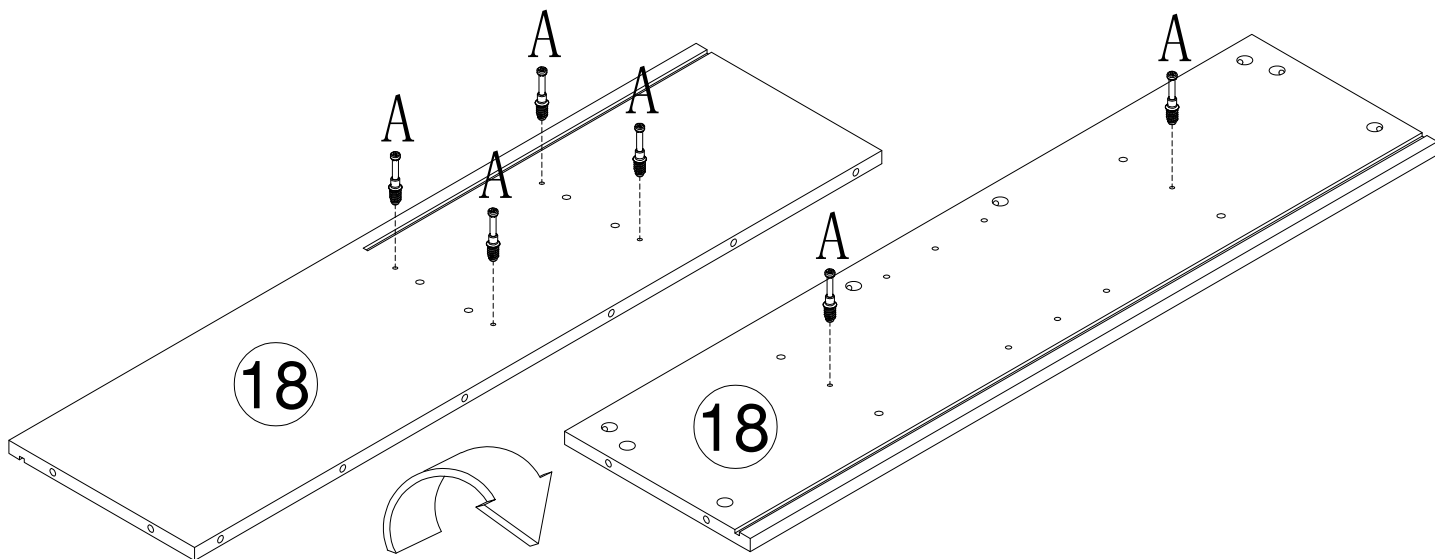
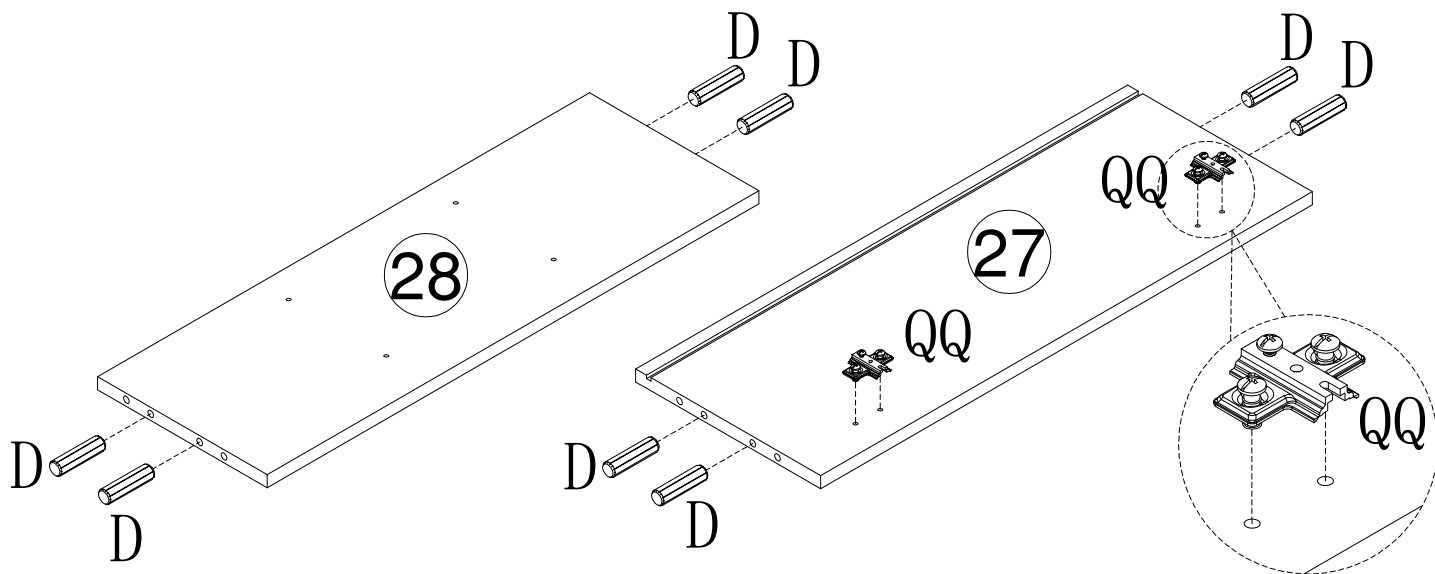
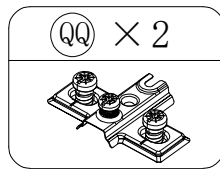
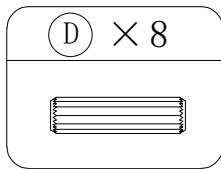
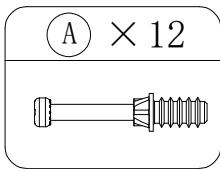
(C) × 4



Step 12

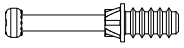


Step 13



Step 14

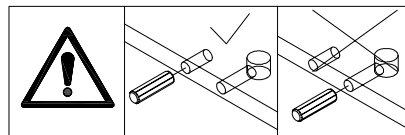
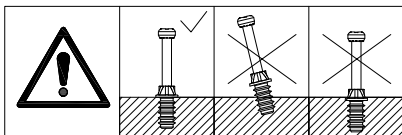
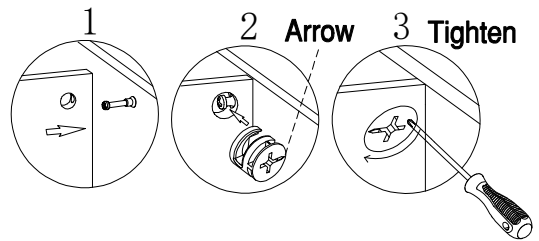
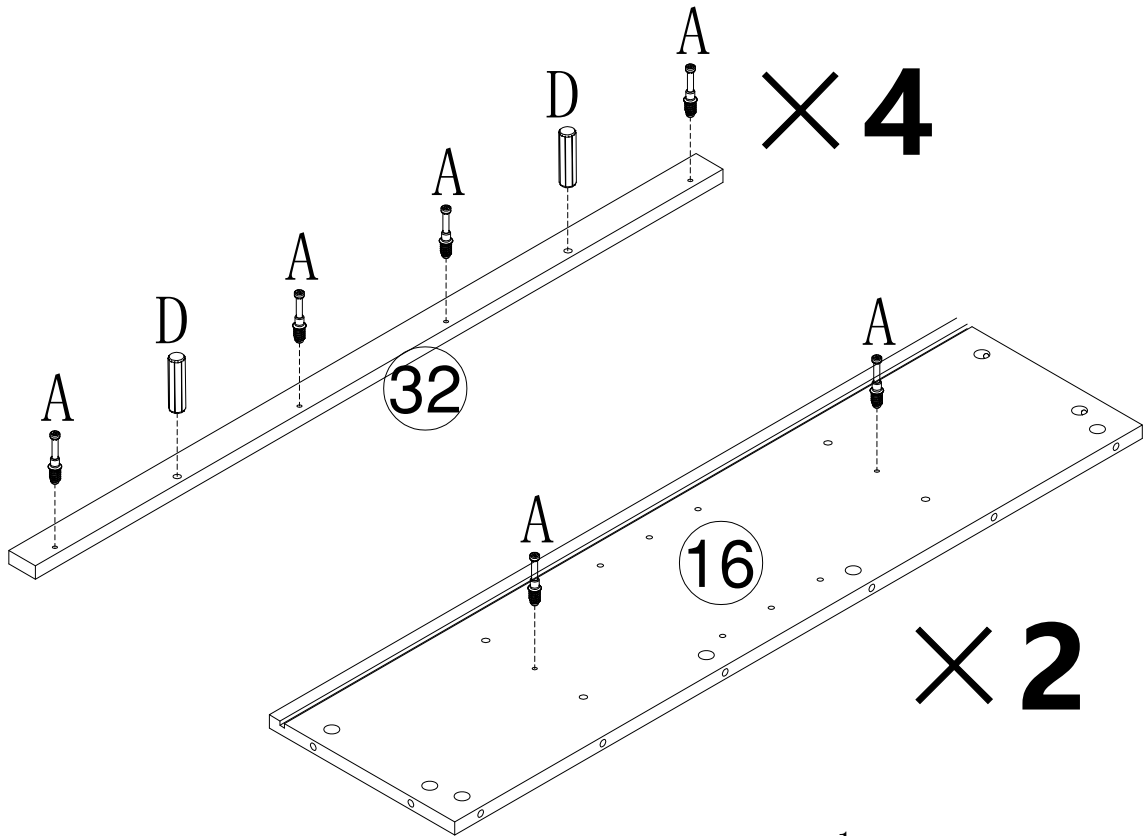
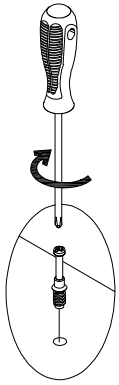
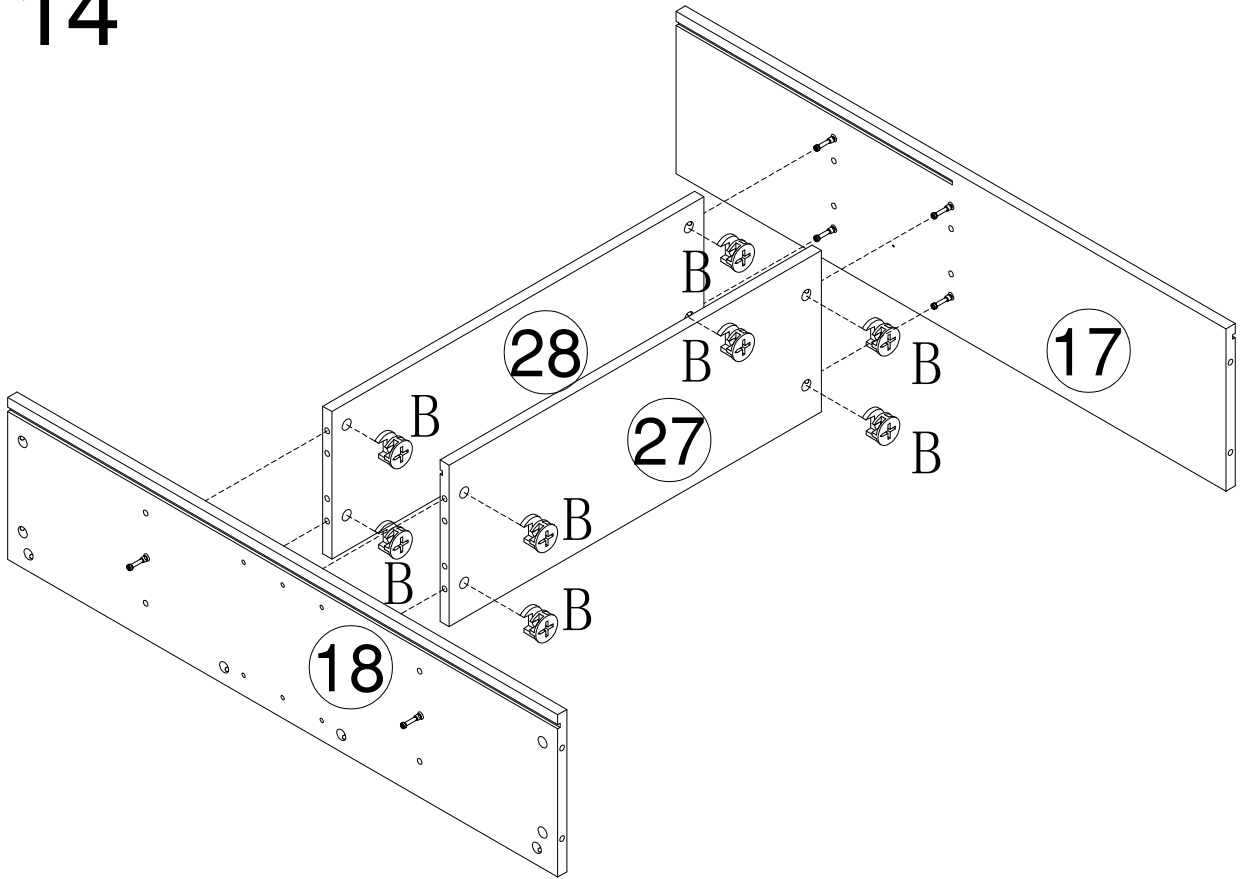
(A) × 20



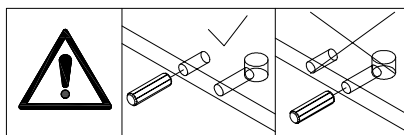
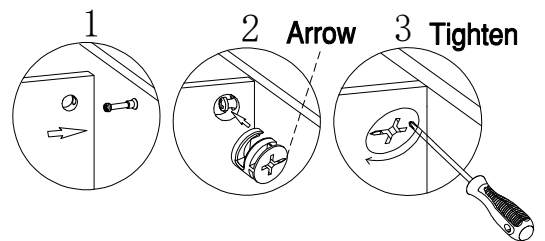
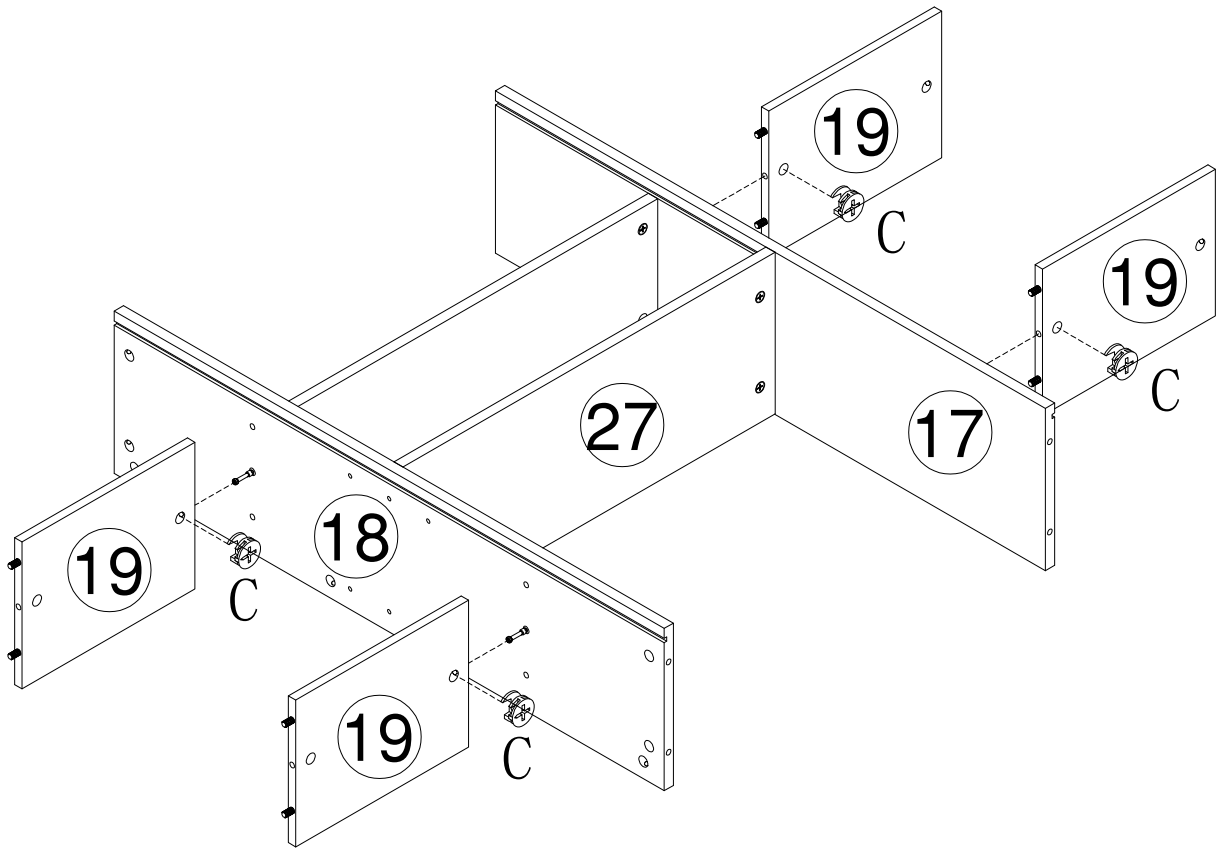
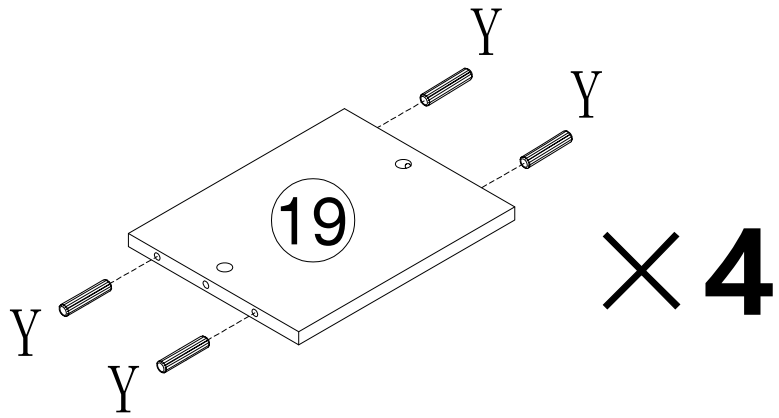
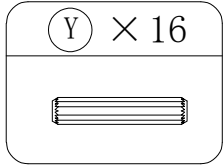
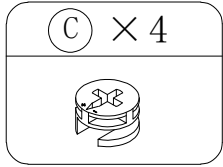
(B) × 8



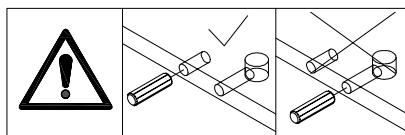
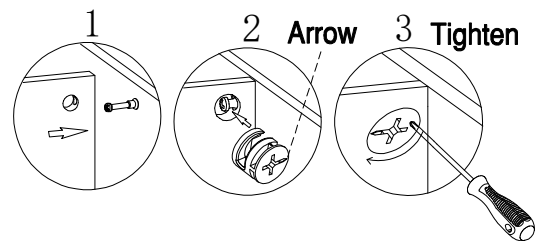
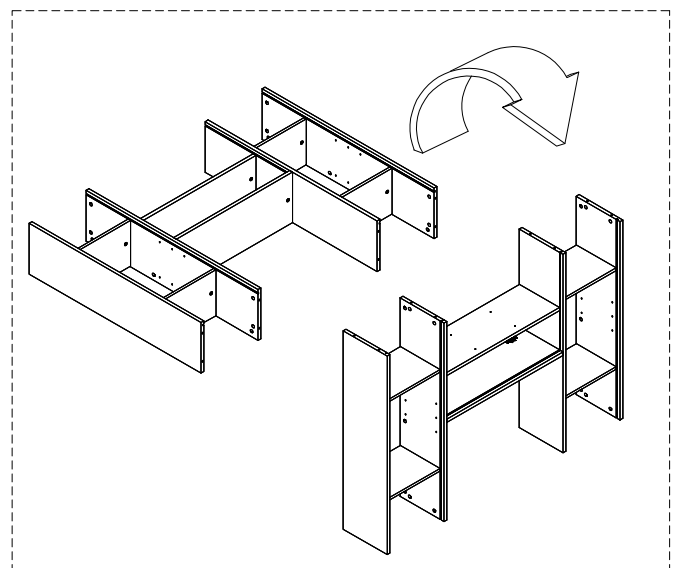
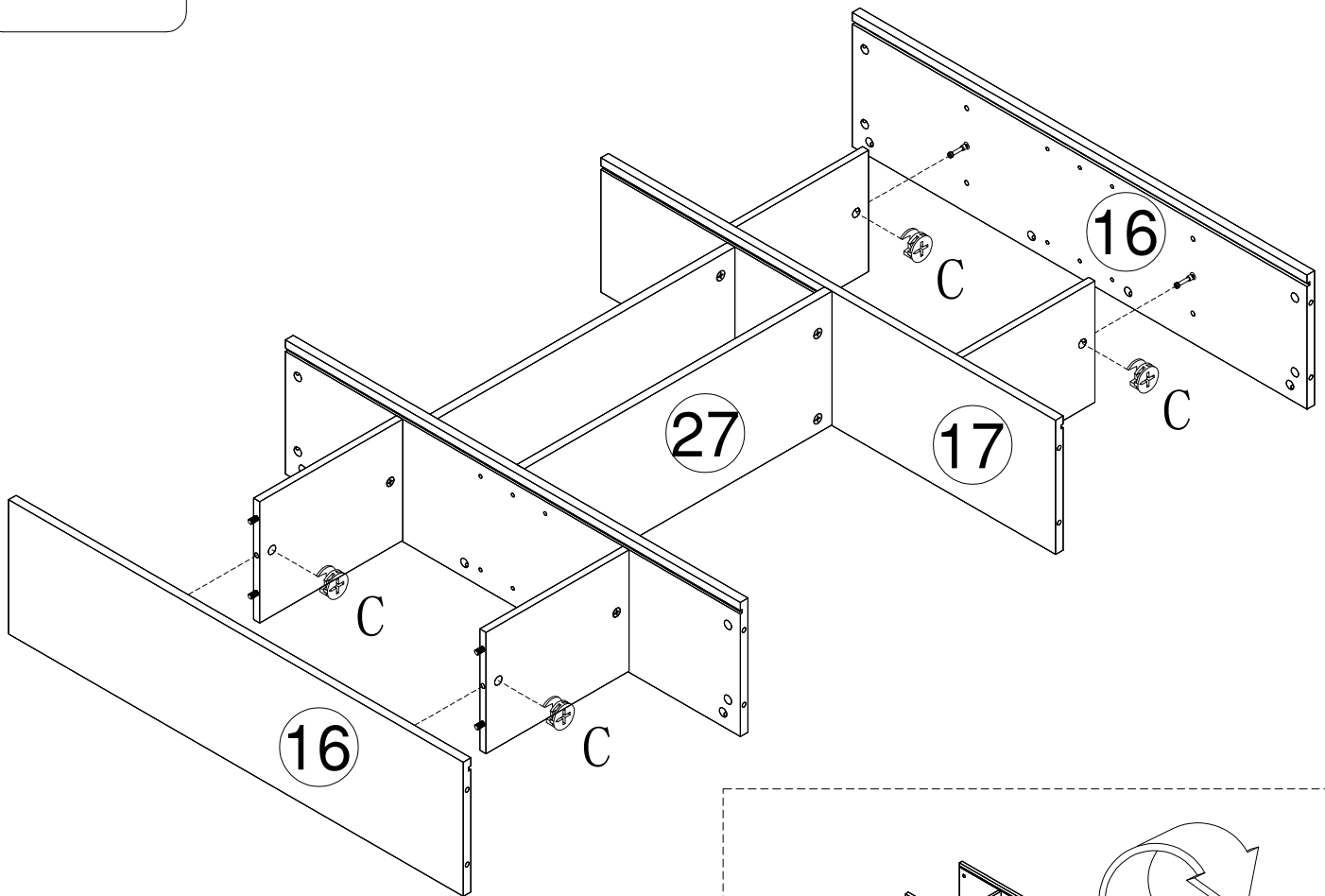
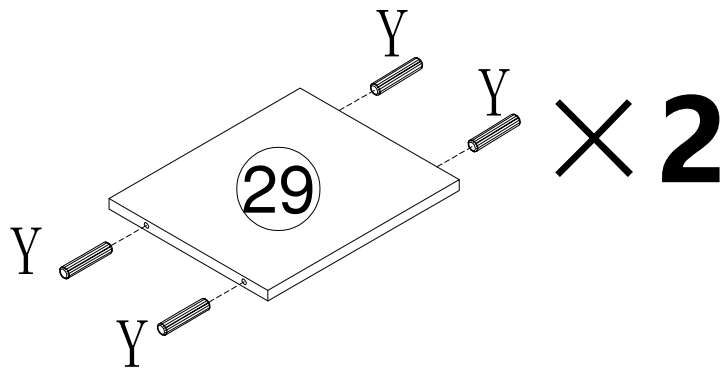
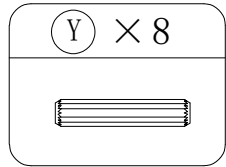
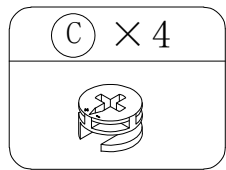
(D) × 8



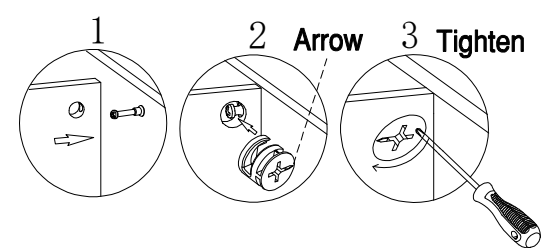
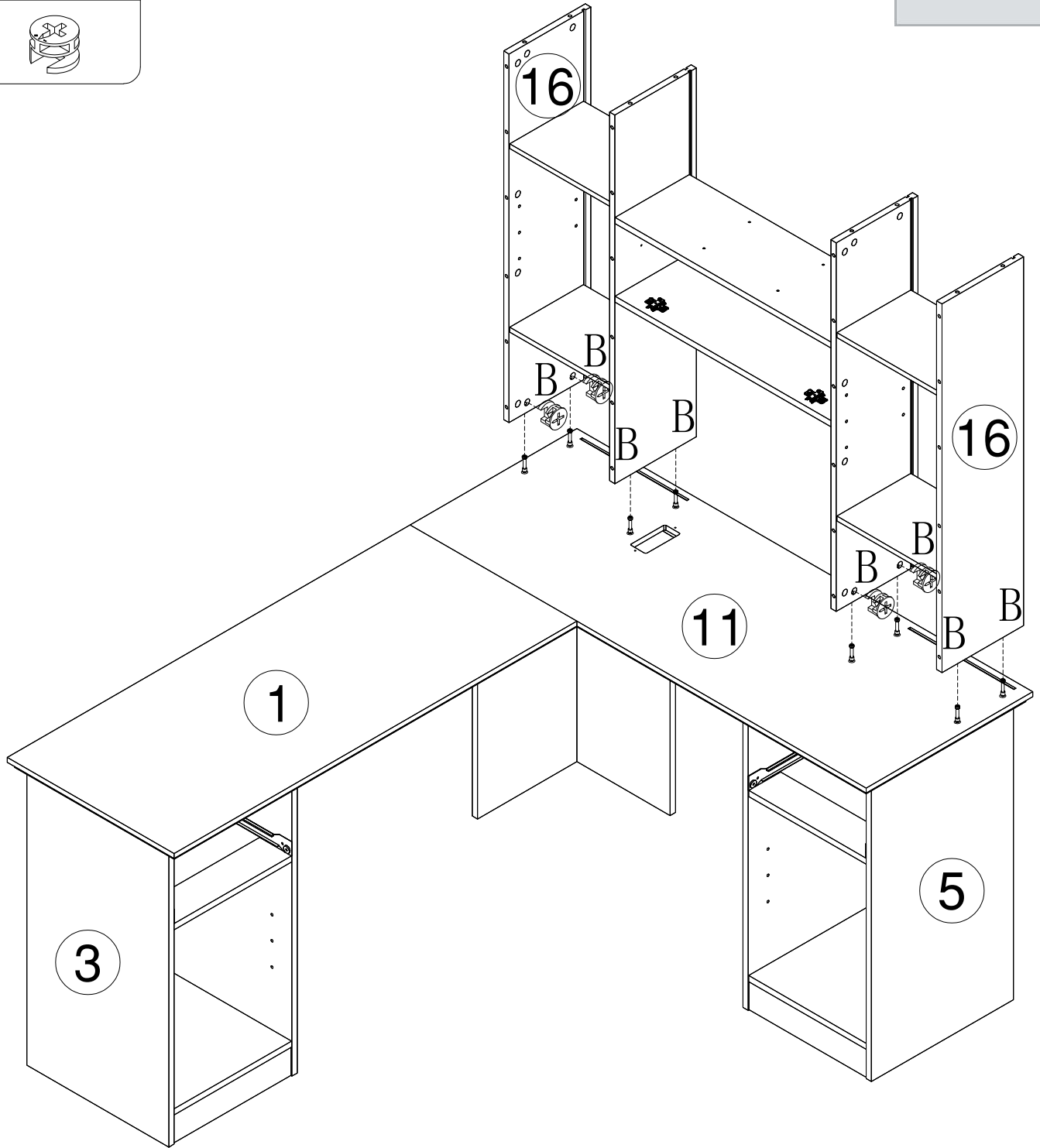
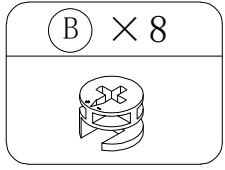
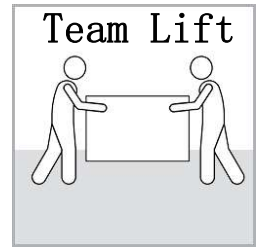
Step 15



Step 16

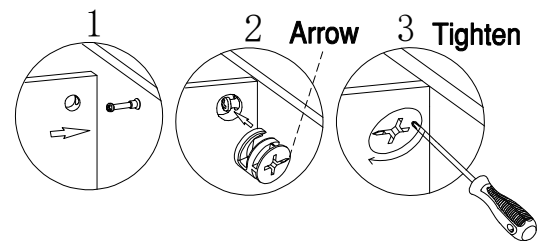
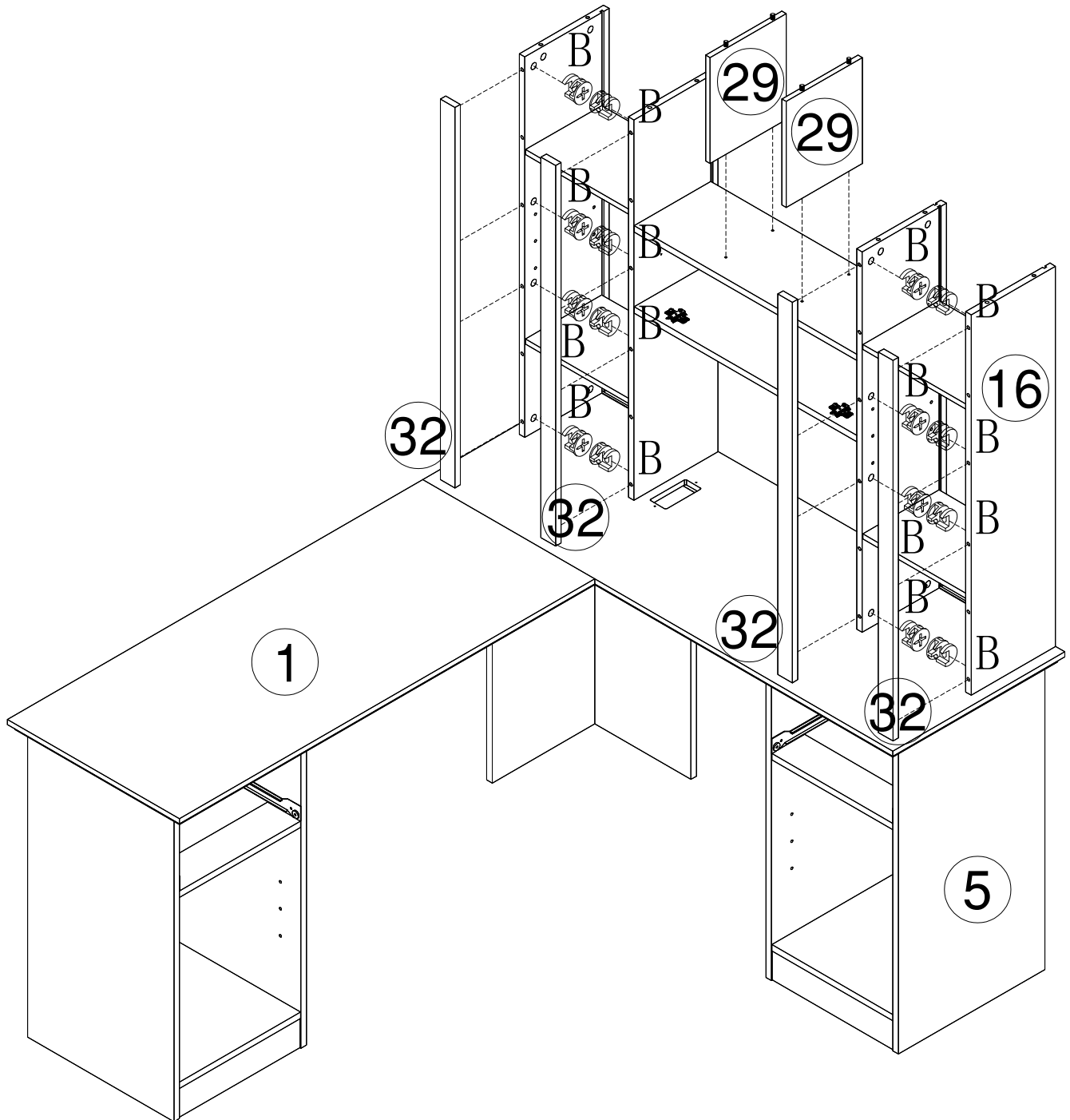


Step 17

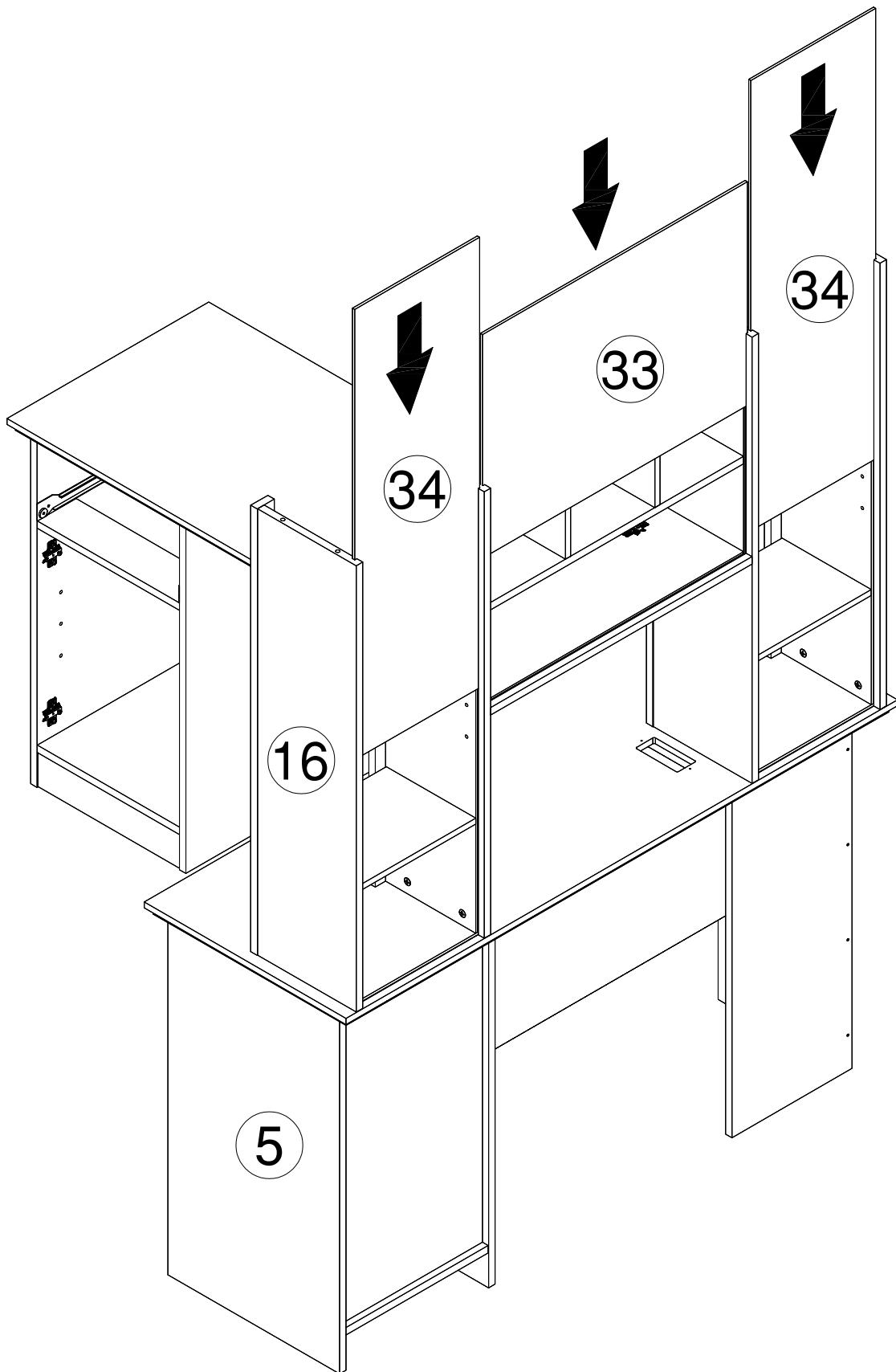


Step 18

(B) × 16

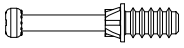


Step 19

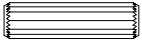


Step 20

(A) × 15



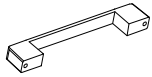
(D) × 2



(R) × 4



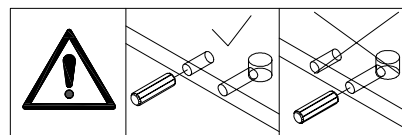
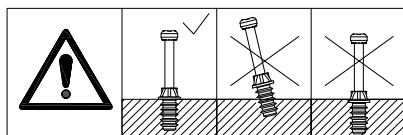
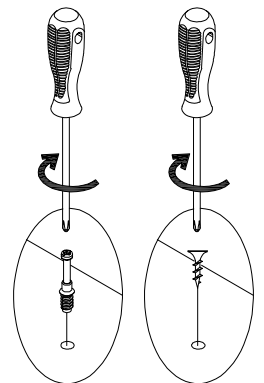
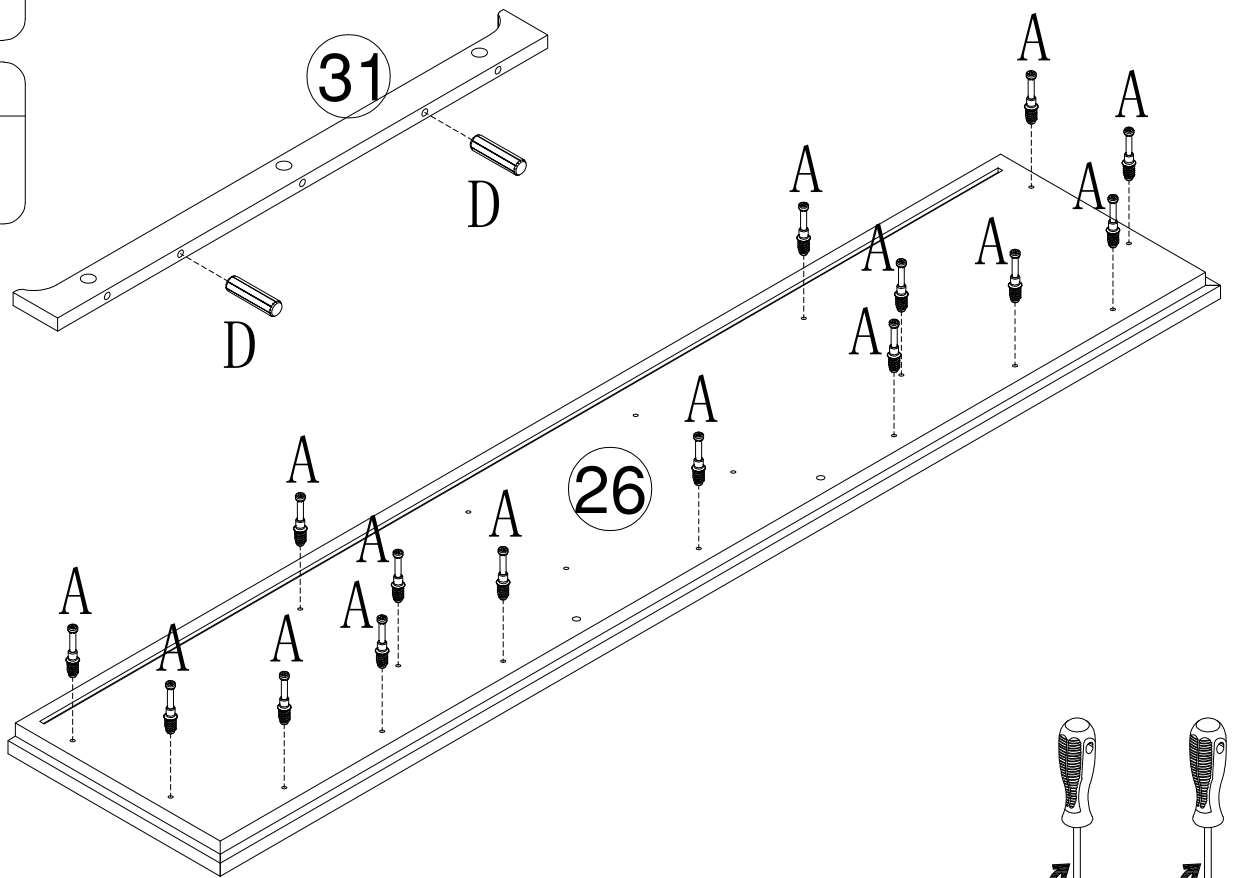
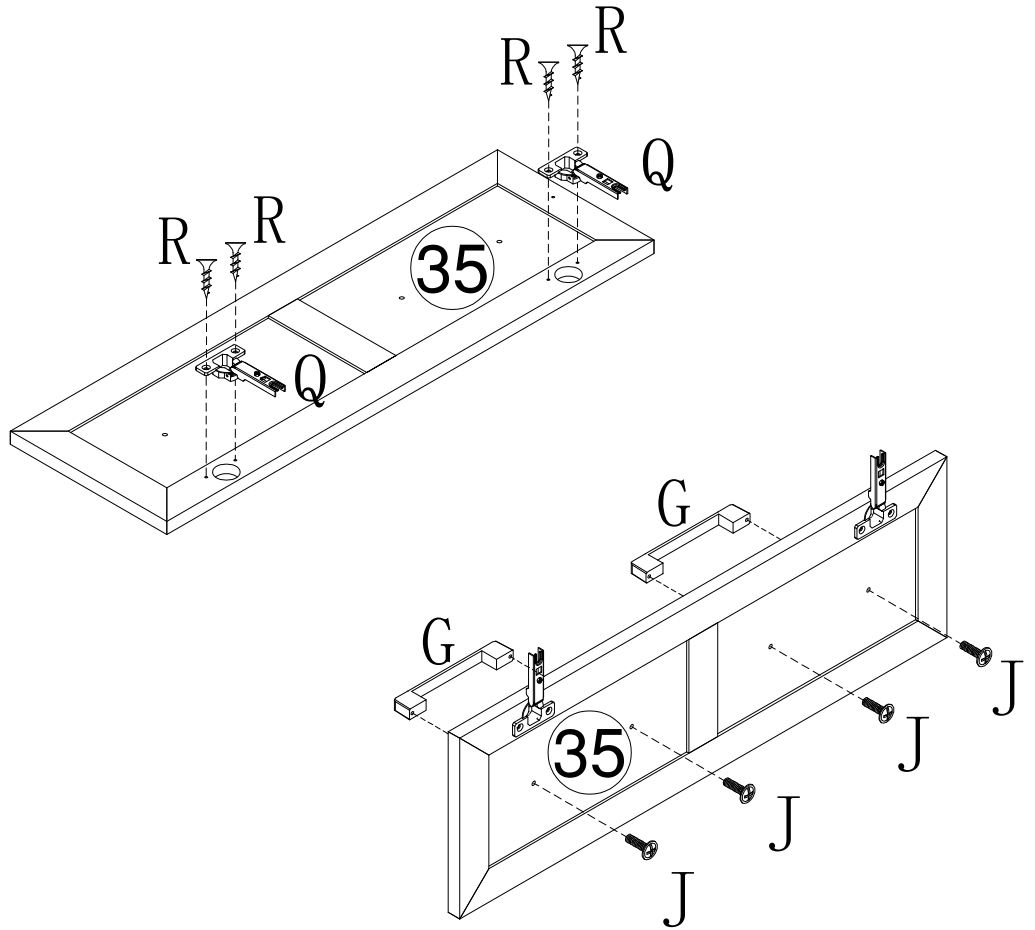
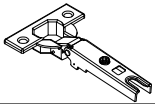
(G) × 2



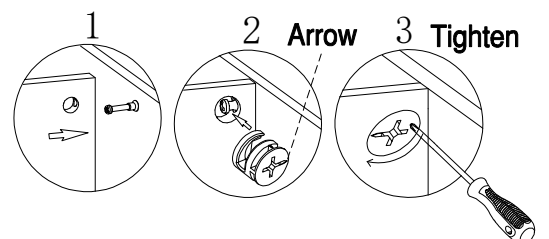
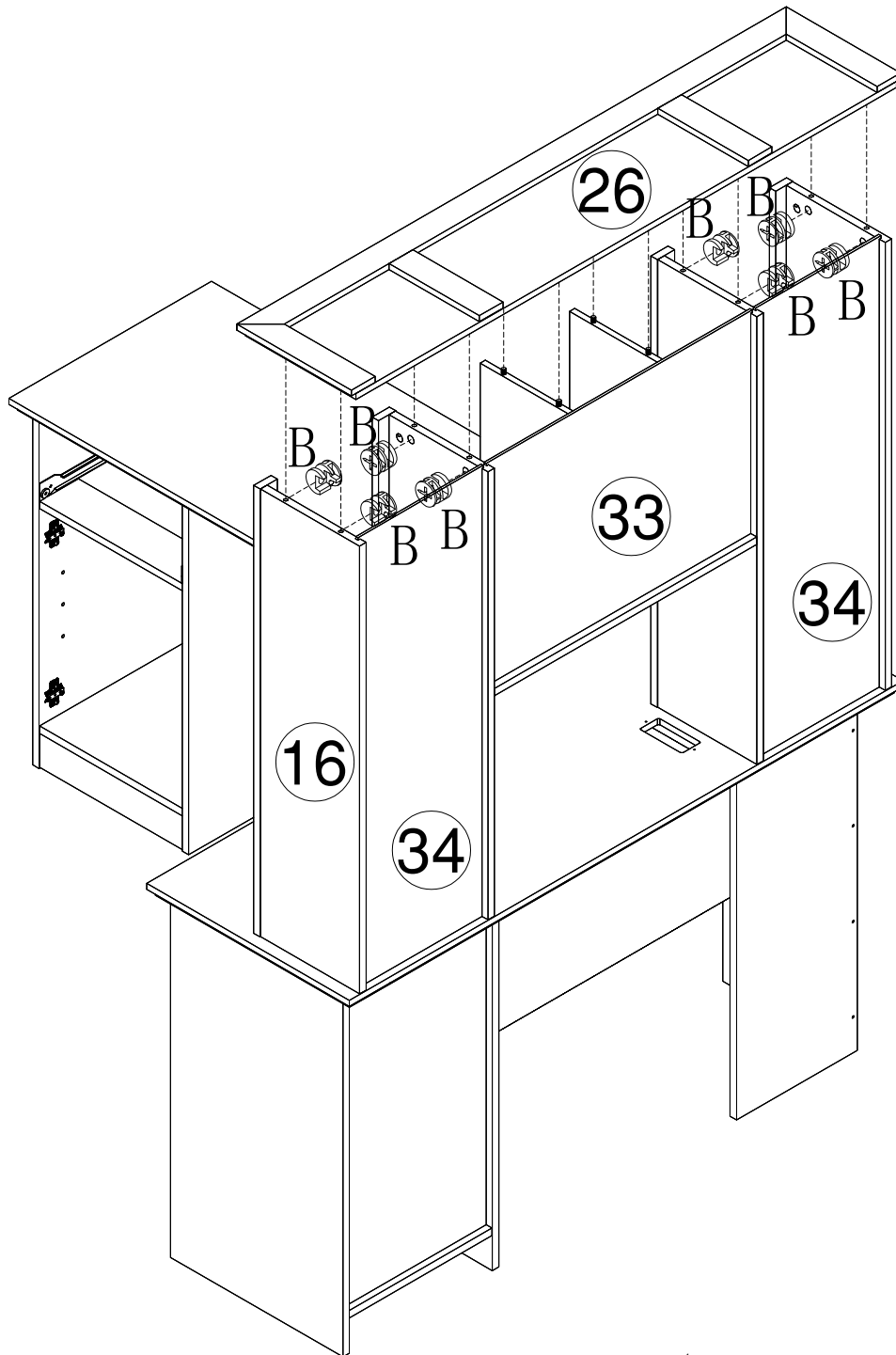
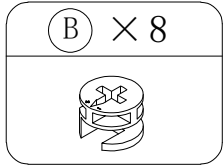
(J) × 4



(Q) × 2

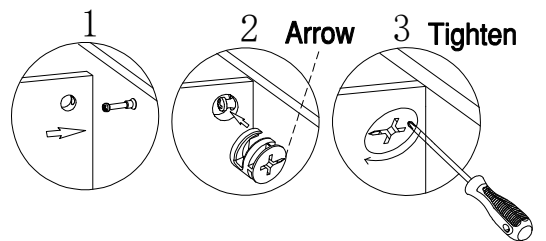
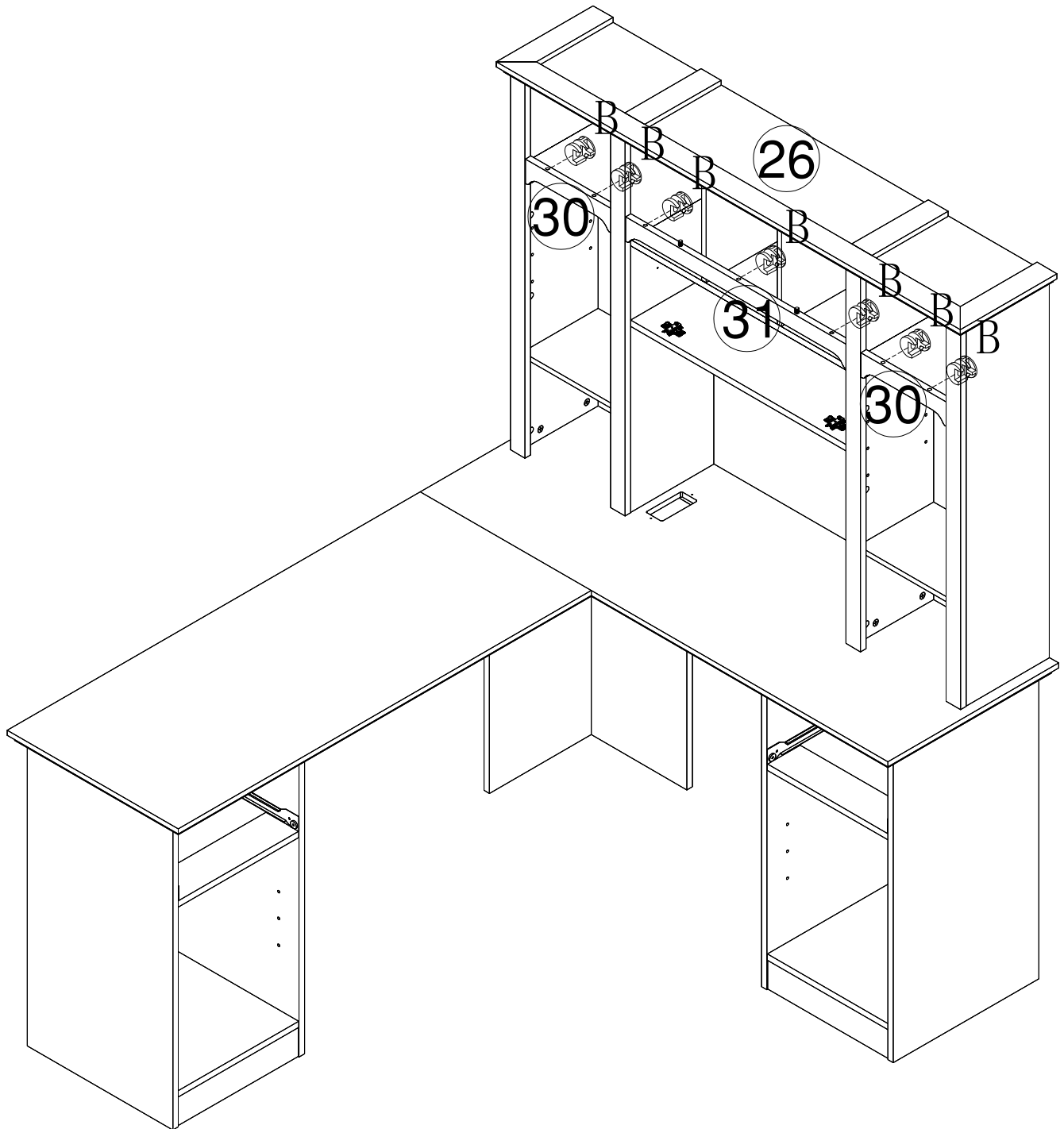


Step 21

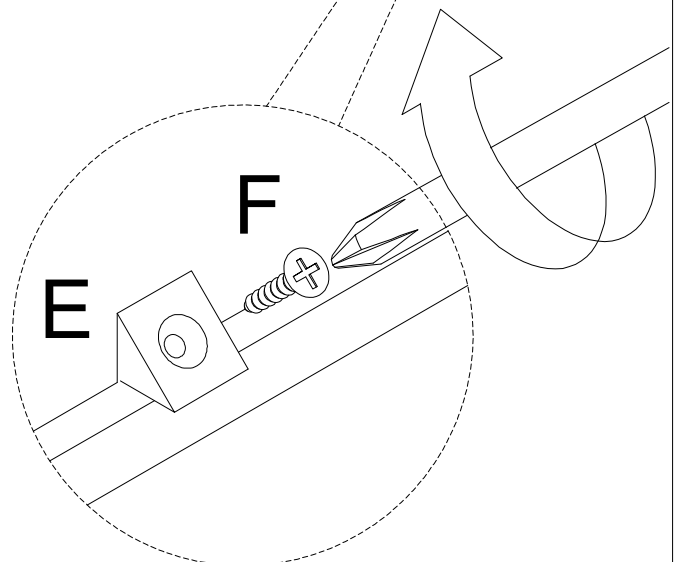
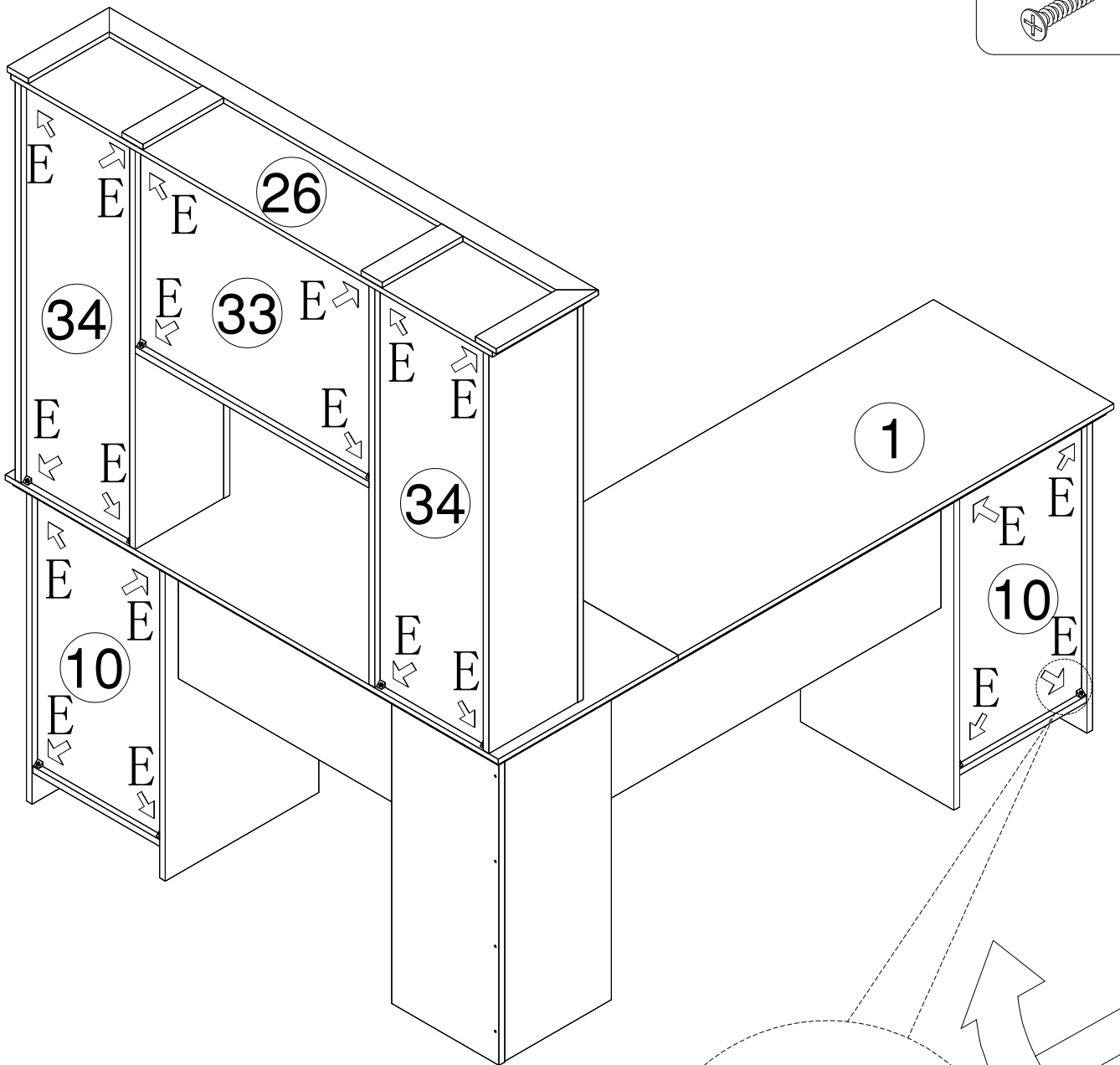
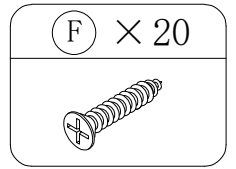
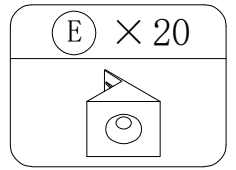


Step 22

(B) × 7



Step 23

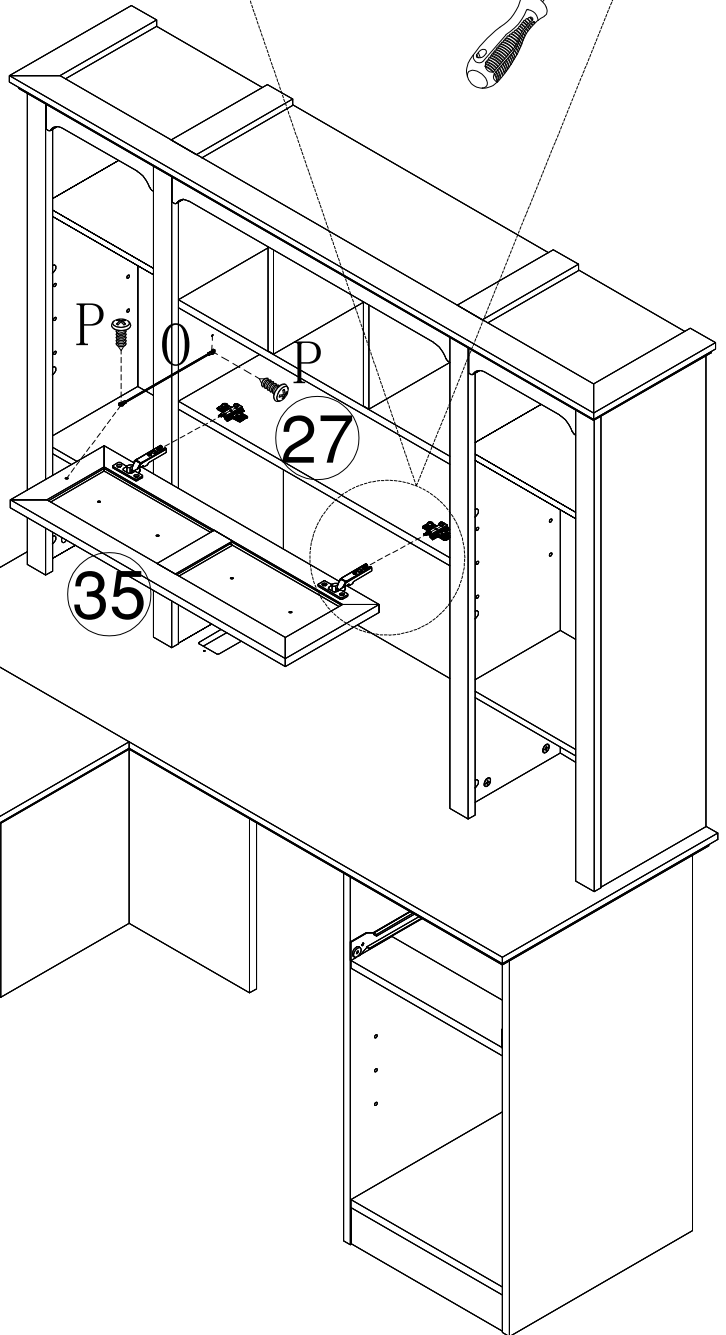
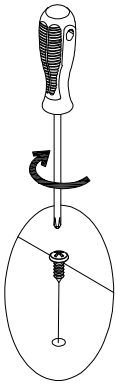
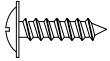


Step 24

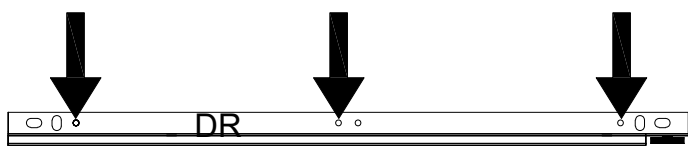
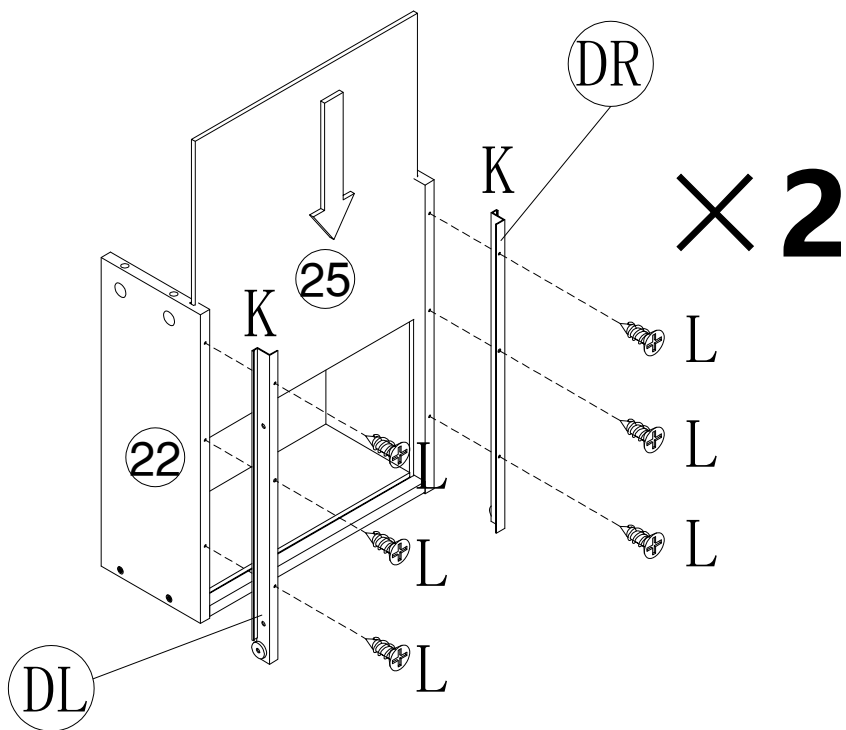
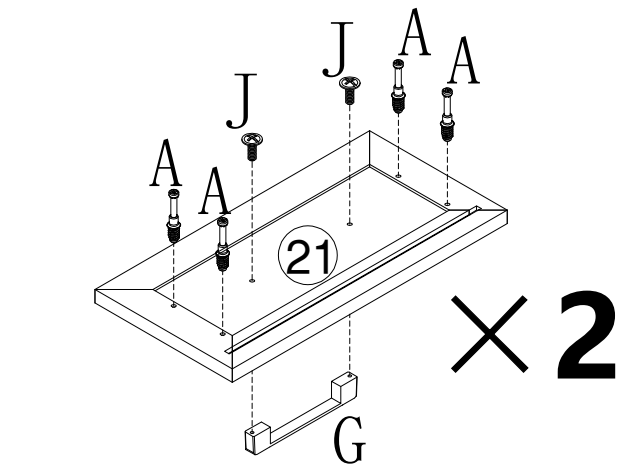
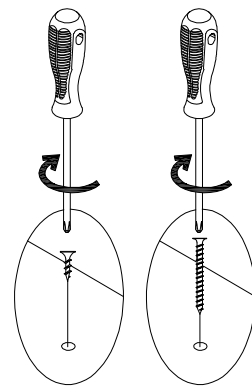
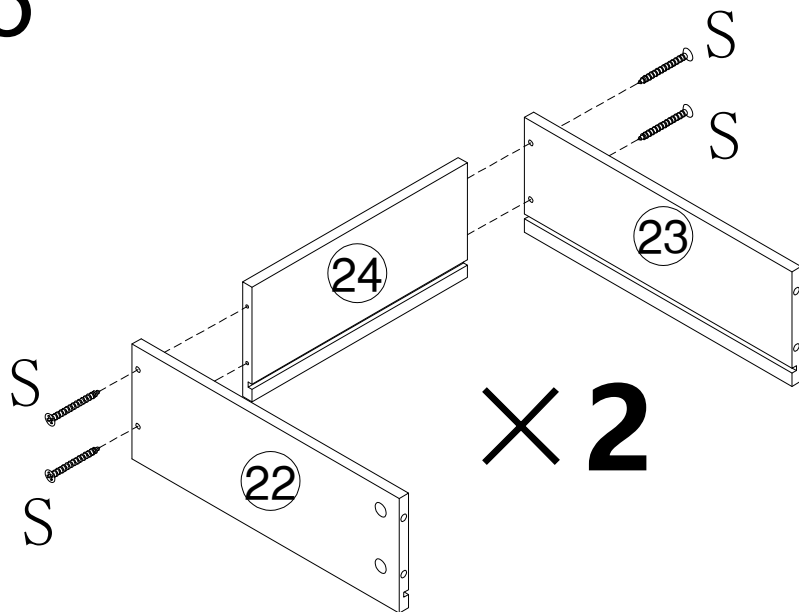
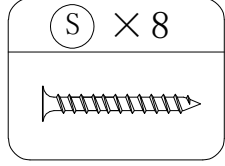
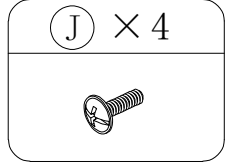
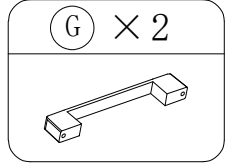
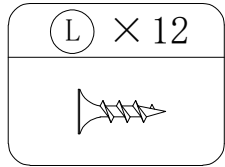
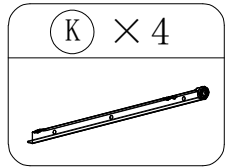
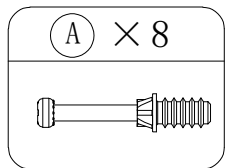
0 × 1



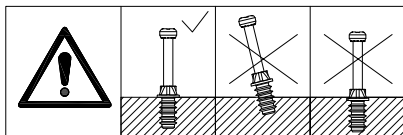
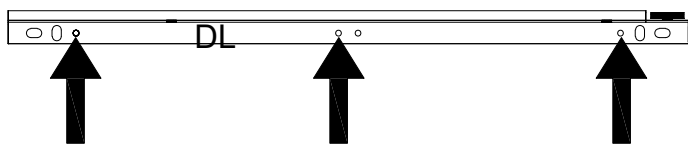
P × 2



Step 25



Please fasten the screws through these holes for this step

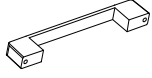


Step 26

(C) × 8



(G) × 2



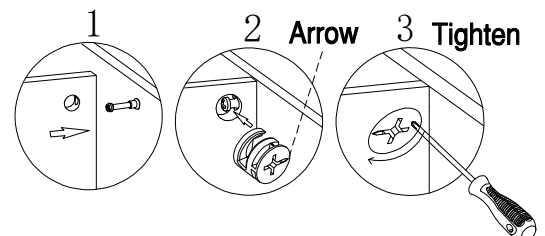
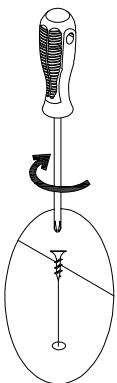
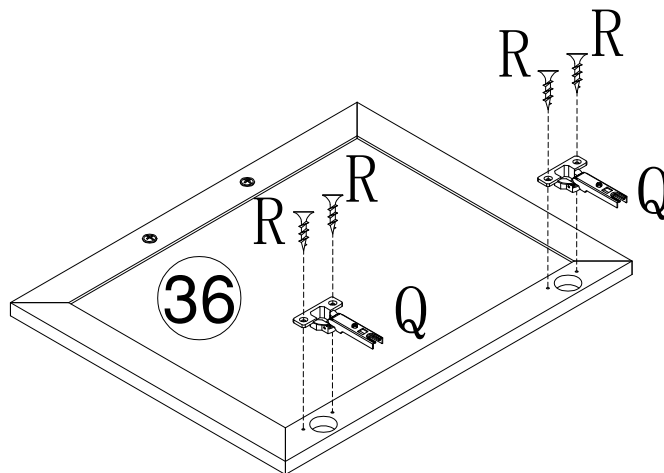
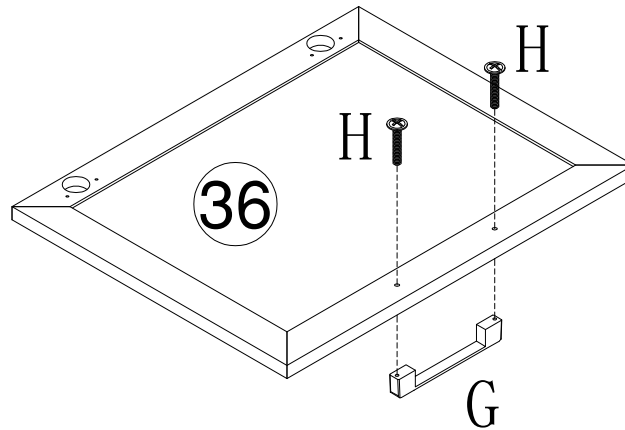
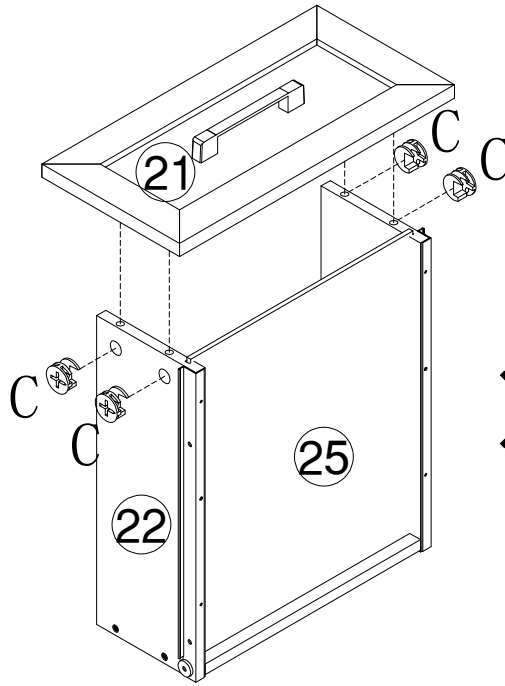
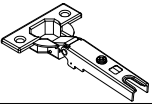
(H) × 4



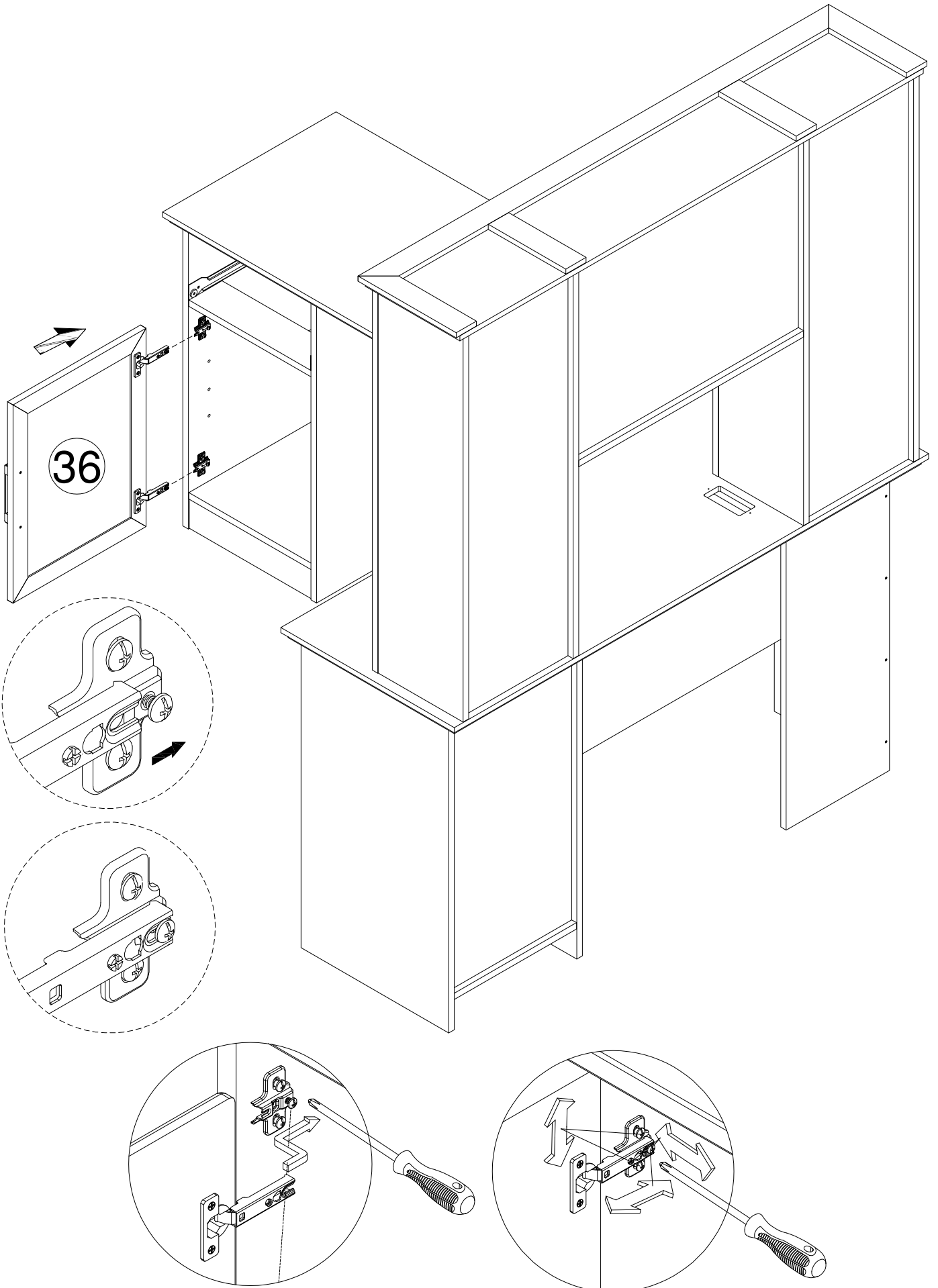
(R) × 8



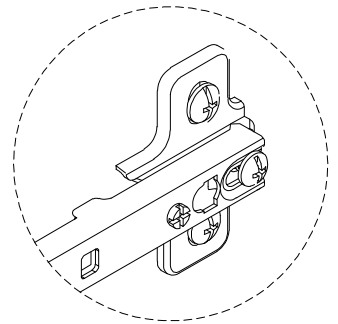
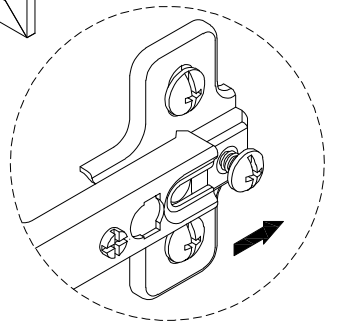
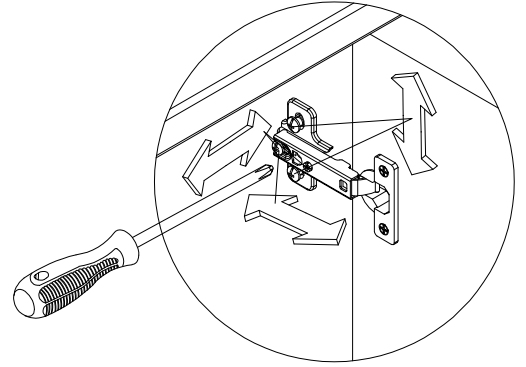
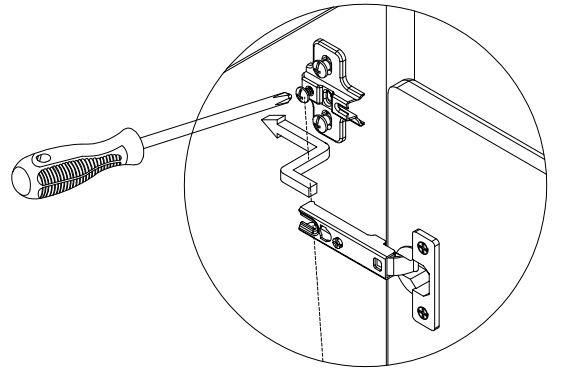
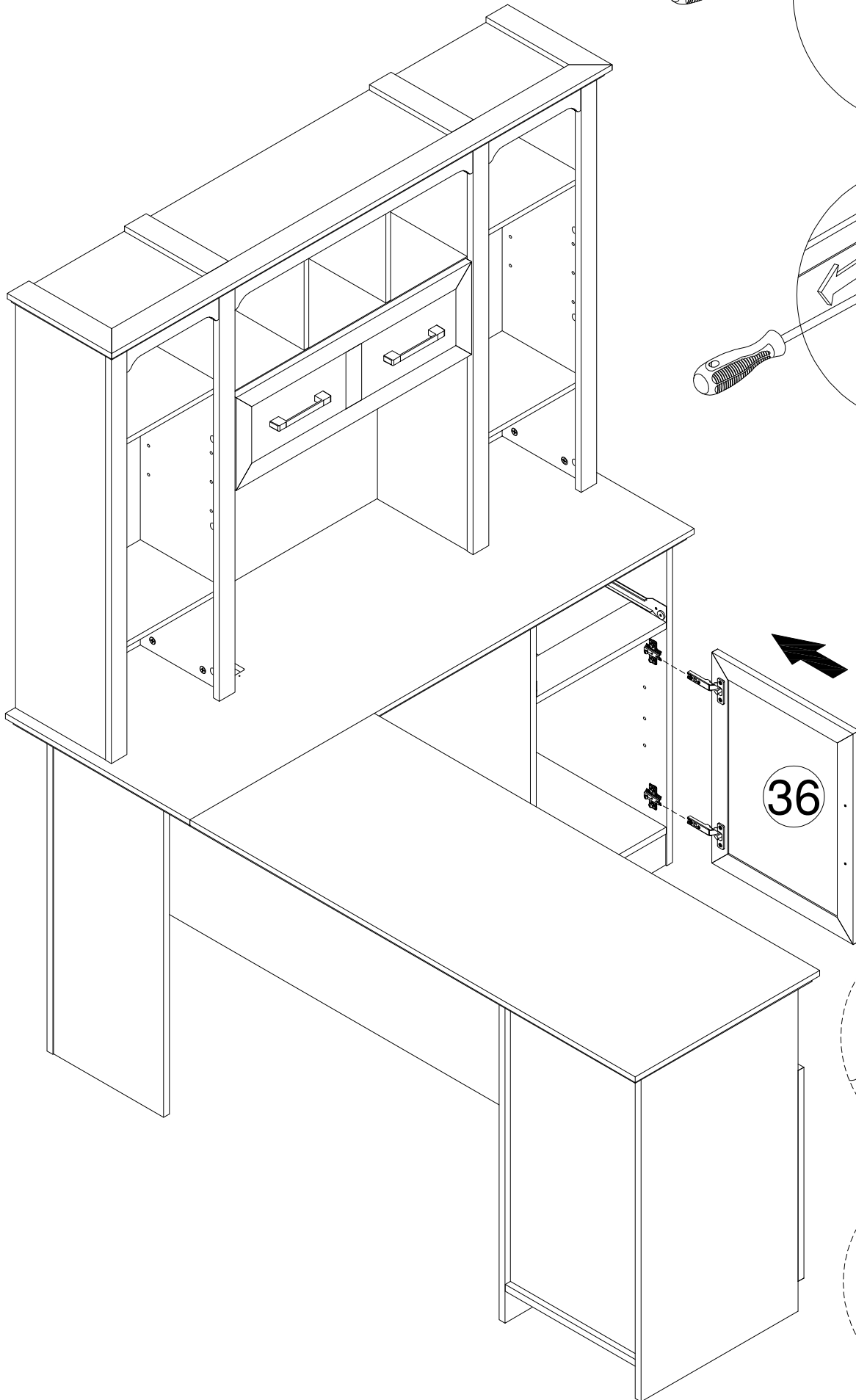
(Q) × 4



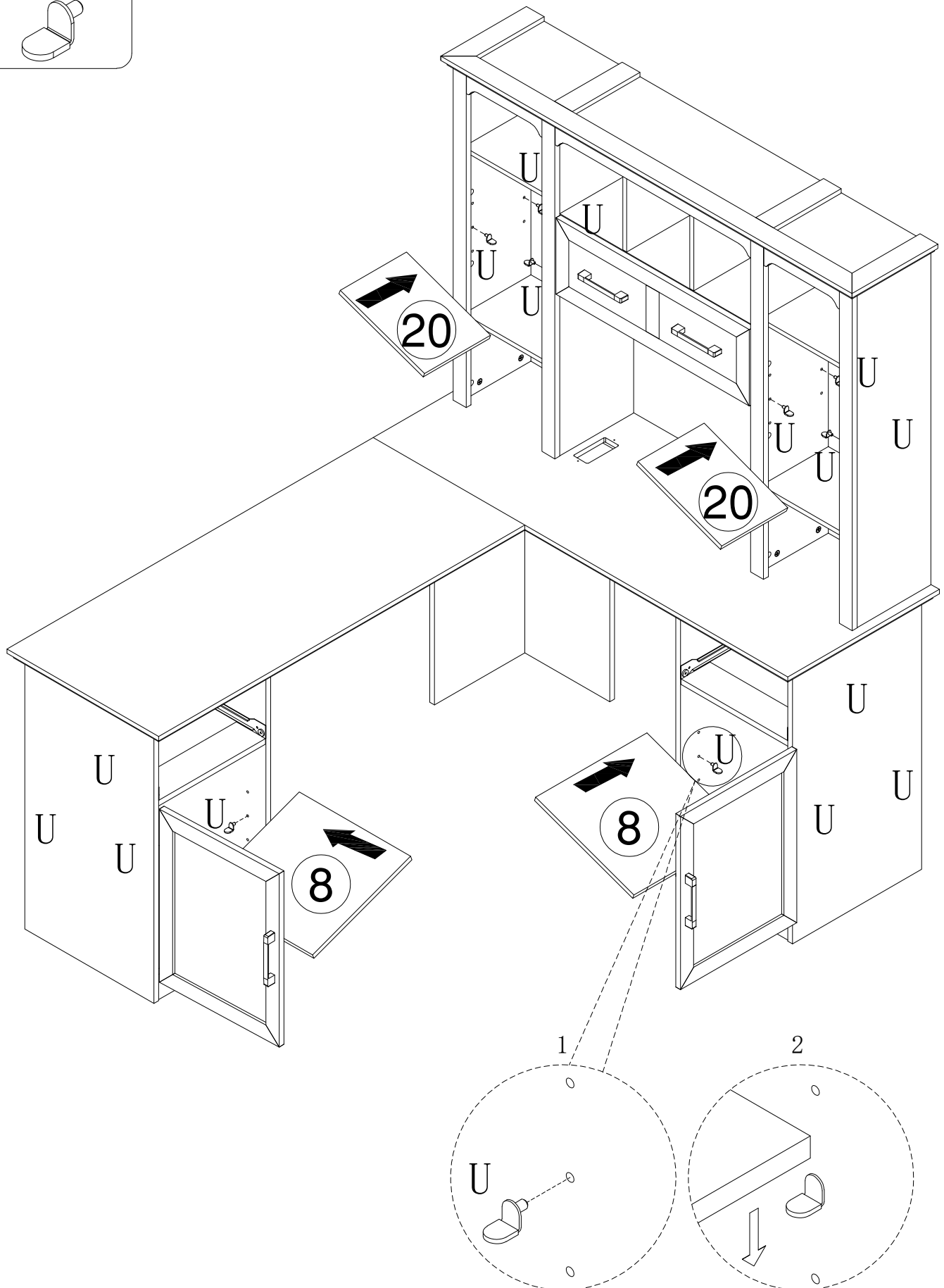
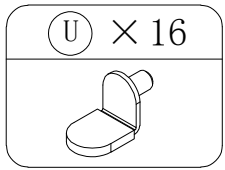
Step 27



Step 28



Step 29



Step 30

(L) × 2



(V) × 1

