



# SPEC SHEET

## 12 In. 3-Tier Wooden Bakery, Supermarket and Cafe Display Case

**Model:** KM-SDW-3SOP

### FEATURES

- **Vertical Space-Saving Design:** Three elevated shelves stack upward to maximize display capacity in a minimal 12" × 12" footprint.
- **Premium Wood Construction:** Features an ash frame with eucalyptus shelves finished in a warm, dark wood grain for a naturally attractive presentation.
- **Durable Iron Frame:** Black metal supports create a modern, industrial look while ensuring strength and long-term stability.
- **Secure Perimeter Railings:** Each shelf includes metal guard rails to help keep packaged items, pastries, and goods safely in place.
- **Strong Shelf Capacity:** Every tier can hold up to 22 lbs., making it suitable for a wide range of bakery items, snacks, or specialty products.
- **Stable Silicone Feet:** Four non-slip silicone feet provide grip and protect countertops from scratches while keeping the display securely positioned.



# Technical Specs

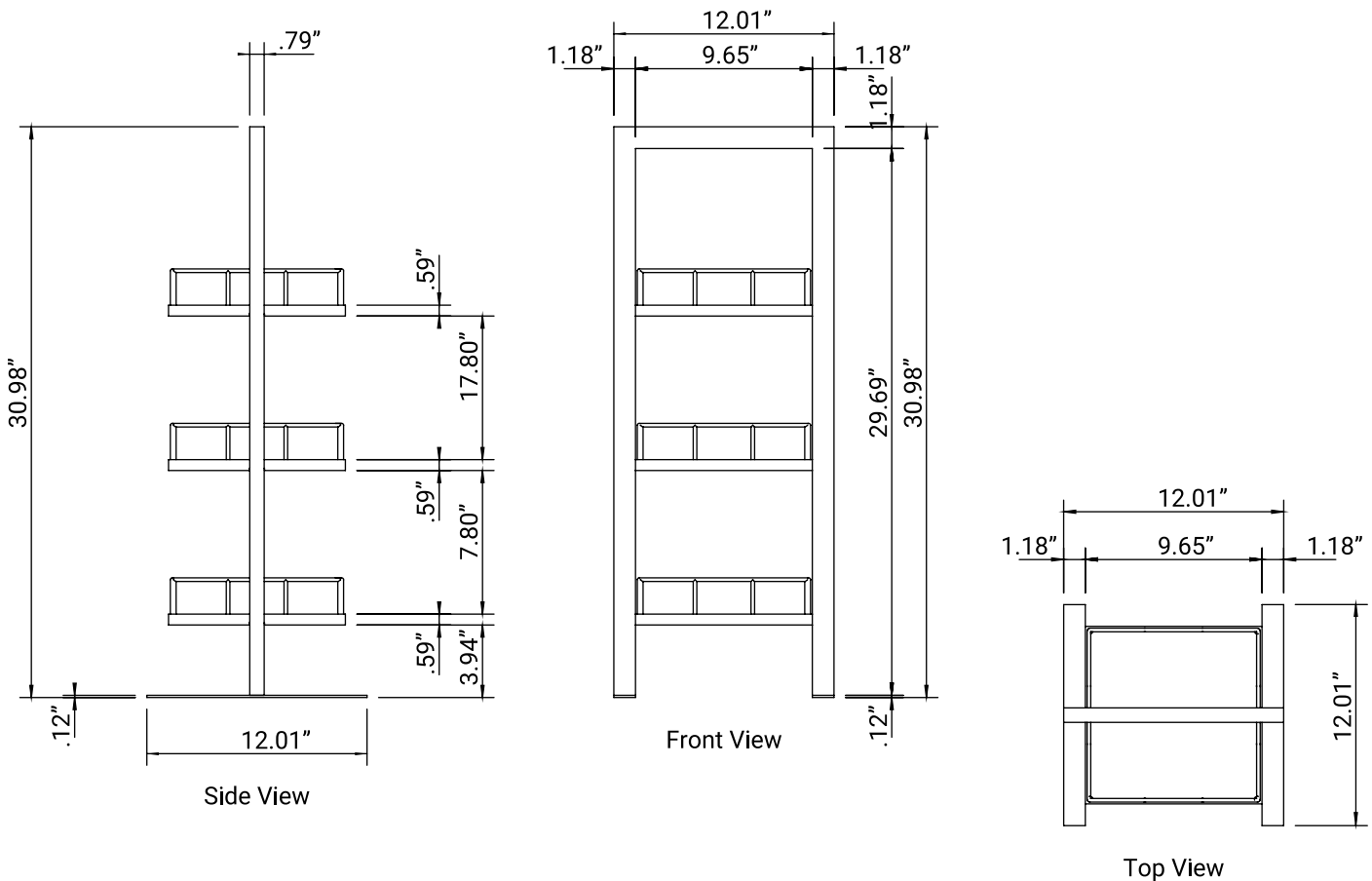
## Dimensions & Weight

Height	31"
Length	12"
Width	12"
Weight lbs.	10"
Interior Height	25.9"
Interior Depth	9.4"
Interior Width	9.4"

## Features & Materials

Legs Adjustable	No
Color	Brown/Black
Exterior Material	Iron and Wood
Shelf Material Type	Plywood
Wood Type	Ash
Number of Tiers	3
Individual Shelf Capacity	22 lbs.
Cleaning	Cloth
Legs Material	Silicon
Assembly Required	No

# Plan View



718-576-6342  
 info@koolmore.com