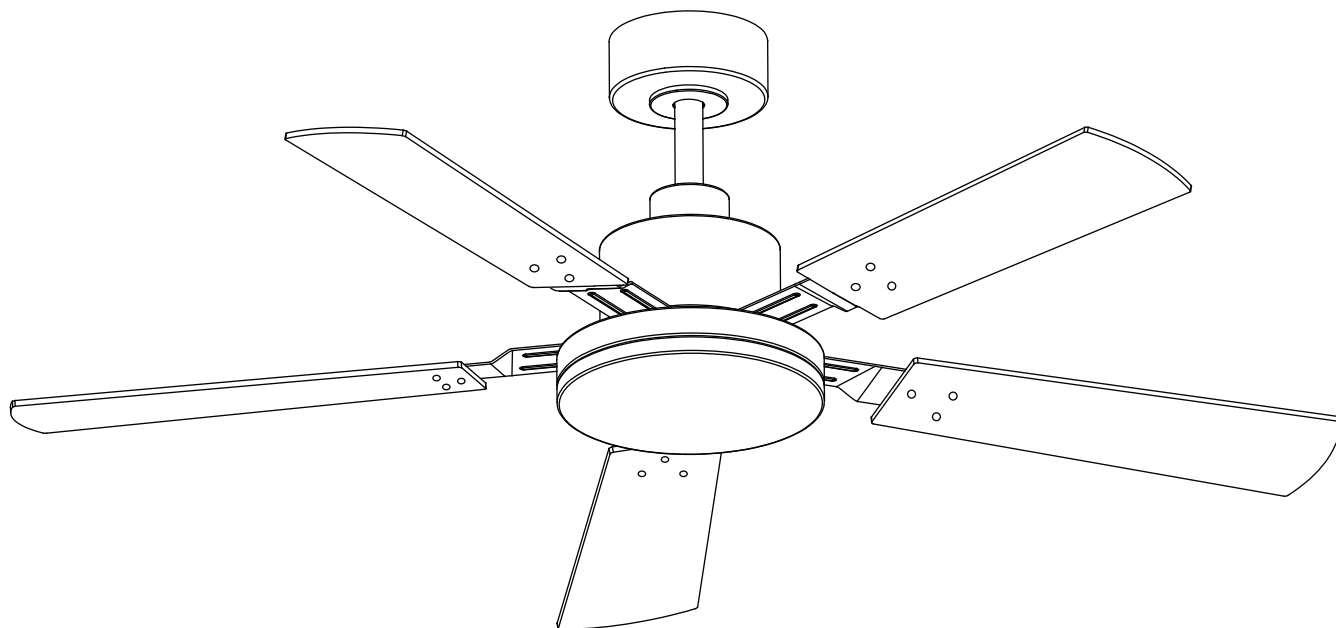


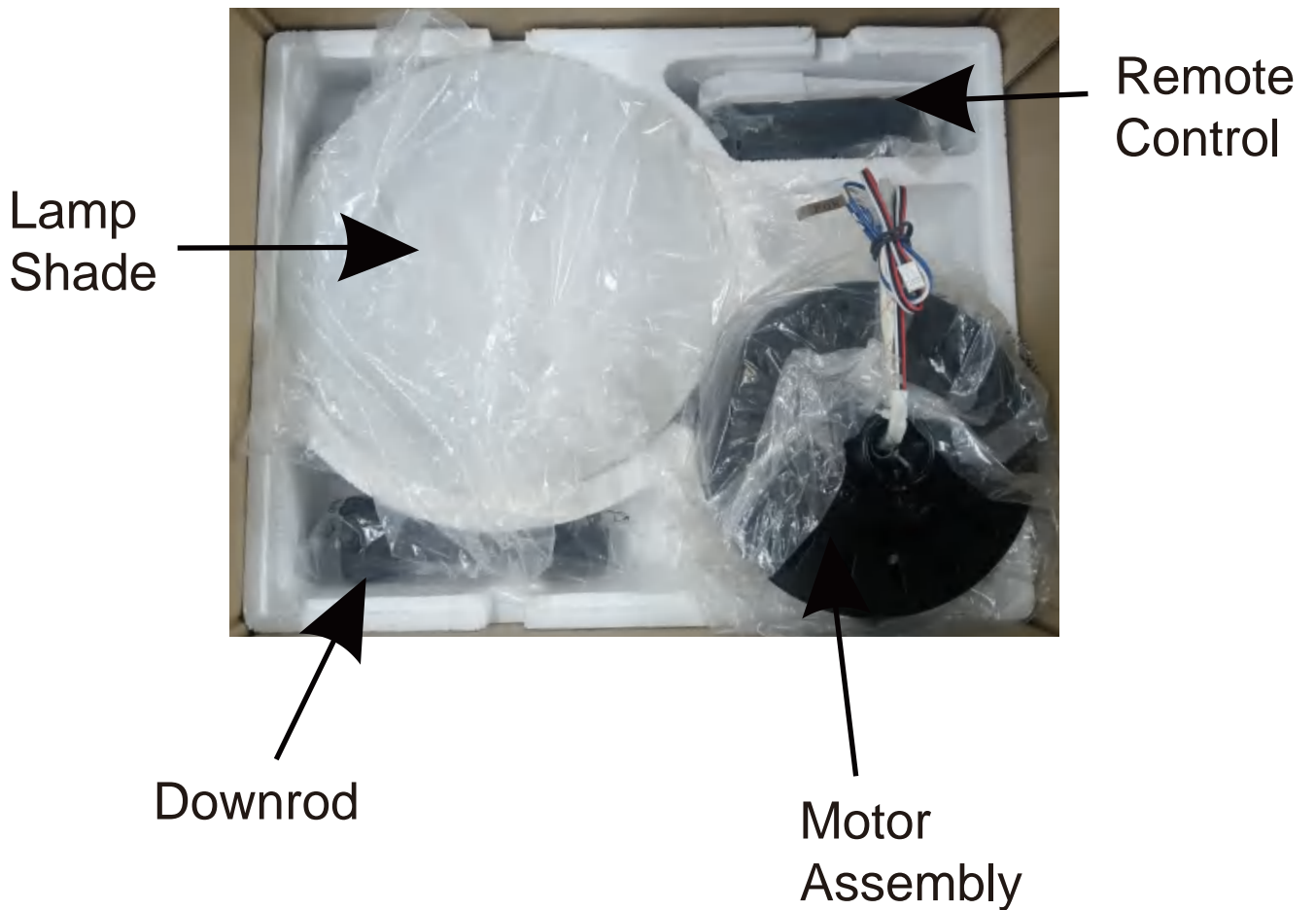
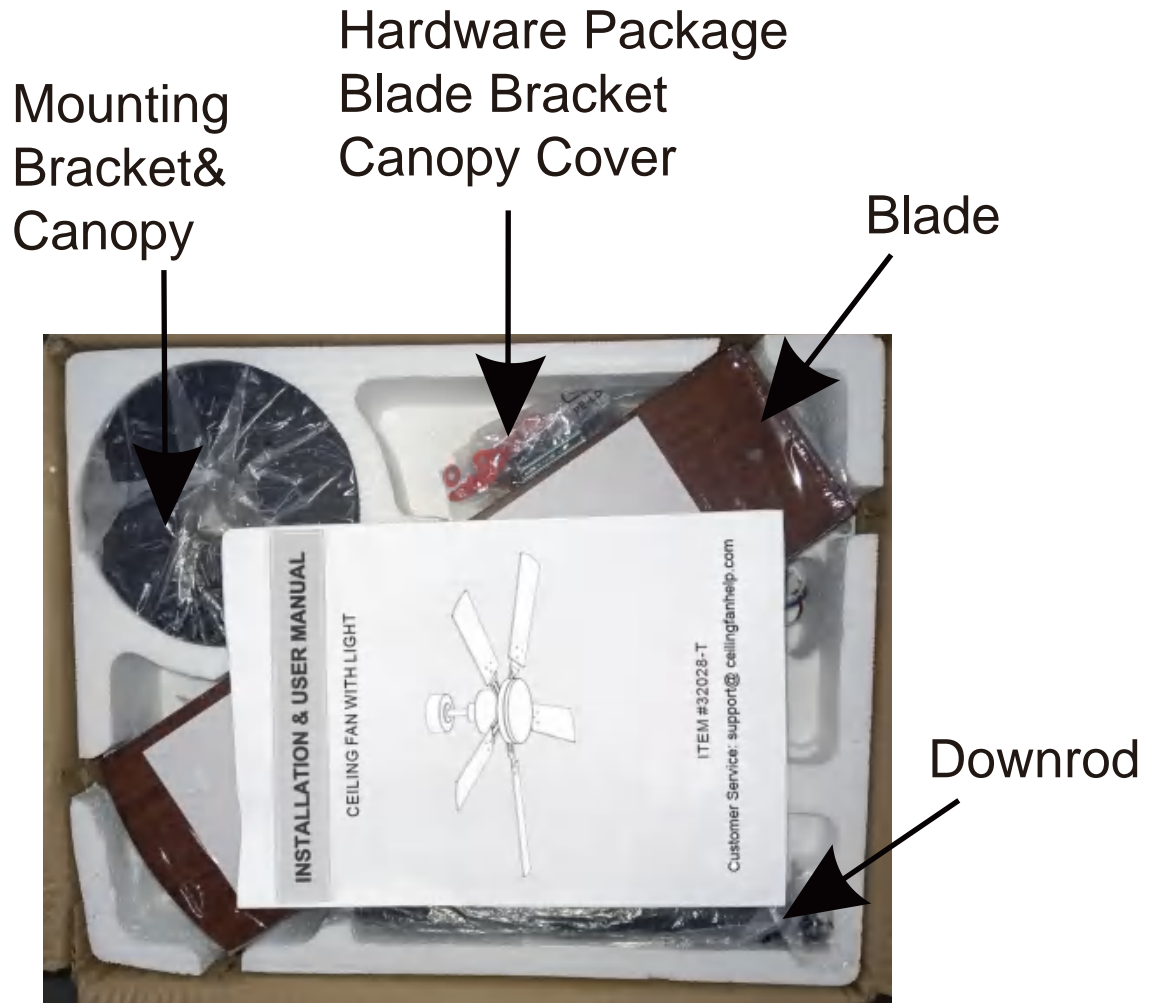
# INSTALLATION & USER MANUAL

## CEILING FAN WITH LIGHT



ITEM #32028-T

Customer Service: [support@ ceilingfanhelp.com](mailto:support@ceilingfanhelp.com)



# Table of Contents

|                          |   |                                |      |
|--------------------------|---|--------------------------------|------|
| Table of Contents.....   | 2 | Exploded View.....             | 4    |
| Safety Information.....  | 2 | Installation Instructions..... | 5-10 |
| Dimension Reference..... | 3 | Operation .....                | 11   |
| Hardware Included.....   | 3 | Troubleshooting Guide.....     | 12   |
| Fan Parts Included.....  | 3 | Balancing Kit .....            | 13   |

## Safety Information

### READ AND SAVE THESE INSTRUCTIONS.

1. To reduce the risk of electric shock, ensure the power is turned off at the circuit breaker or fuse box before installation.
2. All wiring must be in accordance with the National Electrical Code “ANSI/NFPA 70” and local electrical codes. Electrical installation should be performed by a qualified licensed electrician.
3. Make sure the outlet box and support structure are securely mounted and rated to safely support a fan weighing up to 35 lbs (15.9 kg); this fan must be installed on a UL-listed outlet box clearly marked “Acceptable for Fan Support of 35 lbs (15.9 kg) or less.” If you are unsure about safety or compatibility, please consult a qualified electrician.
4. Do not place objects in the path of the blades.
5. To clean the fixture, turn off the power, wait for it to cool, and wipe the fixture with a clean, soft cloth.
6. After making electrical connections, spliced conductors should be turned upward and carefully pushed into the outlet box. The wires should be spread apart with the grounded conductor and the equipment-grounding conductor on one side of the outlet box and ungrounded conductor on the other side of the outlet box.
7. All set screws must be checked and retightened where necessary before installation.



**WARNING:** To reduce the risk of electrical shock or fire, do not use this fan with any solid-state fan speed control device. Such use will permanently damage its electronic circuitry.



**WARNING:** To reduce the risk of personal injury, do not bend the blade brackets during installation, blade balancing, or fan cleaning.



**WARNING:** To reduce the risk of fire, electric shock or personal injury, mount to outlet box marked “acceptable for fan support of 35 lbs. (15.9 Kg) or less” and use screws provided with the outlet box.



**WARNING:** To avoid possible electrical shock, turn the electricity off at the main fuse box before wiring.



**WARNING:** To reduce the risk of electrical shock, this fan should not be installed with an isolating wall control or switch, as it may cause incompatibility issues.



**CAUTION:** To reduce the risk of personal injury, use only the screws provided with the outlet box.



**CAUTION:** Please use carefully when working around or cleaning the fan to avoid injury or damage to the fan.

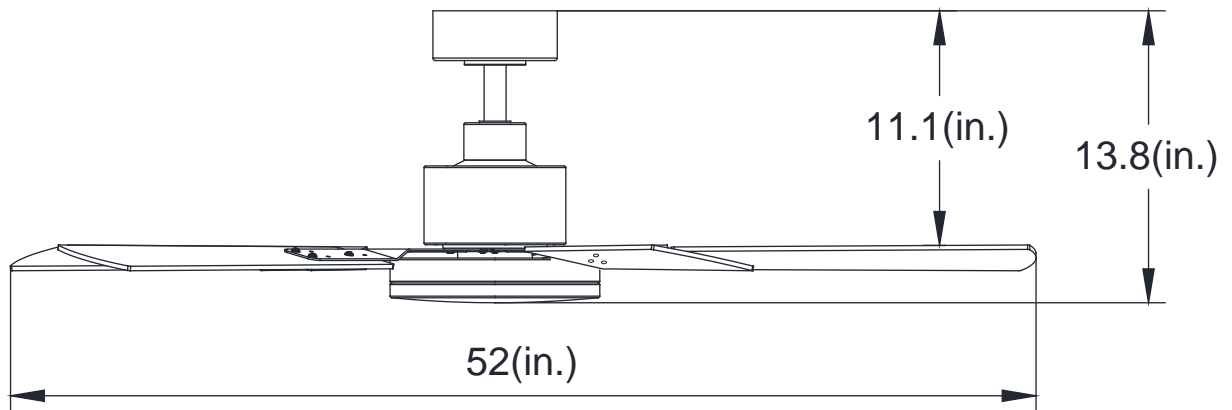


**CAUTION:** The fan must be mounted with a minimum of 7 ft (2.1 m) clearance from the trailing edge of the blades to the floor.

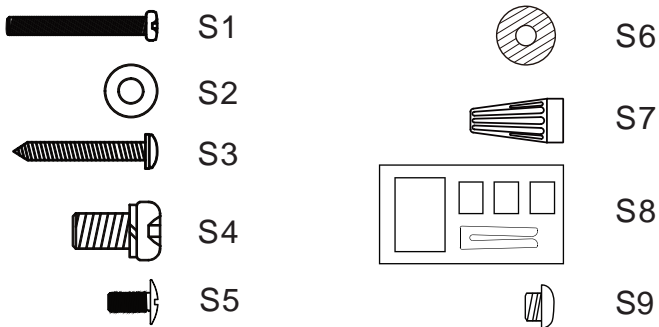


**CAUTION:** Changes or modifications not expressly approved by the party responsible for compliance could void the user's authority to operate the equipment.

## Dimension Reference

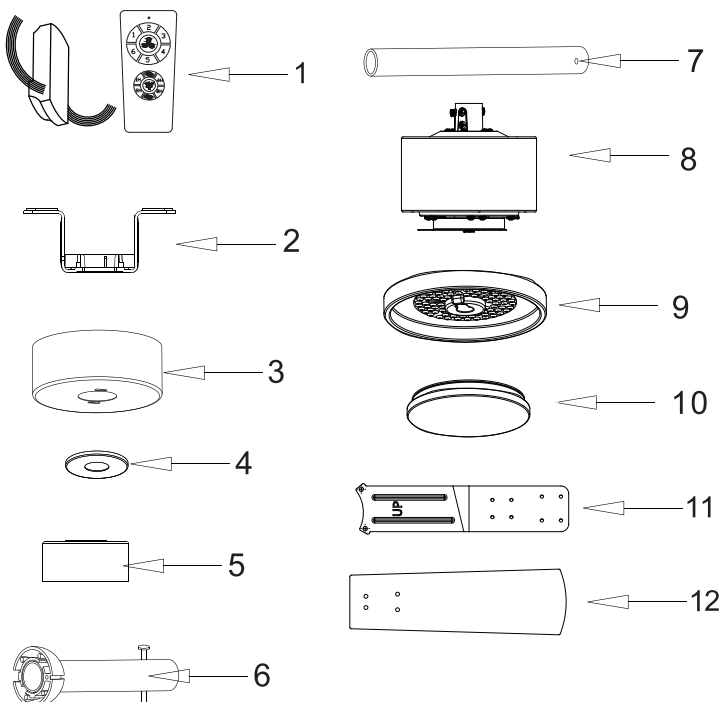


## Hardware Included



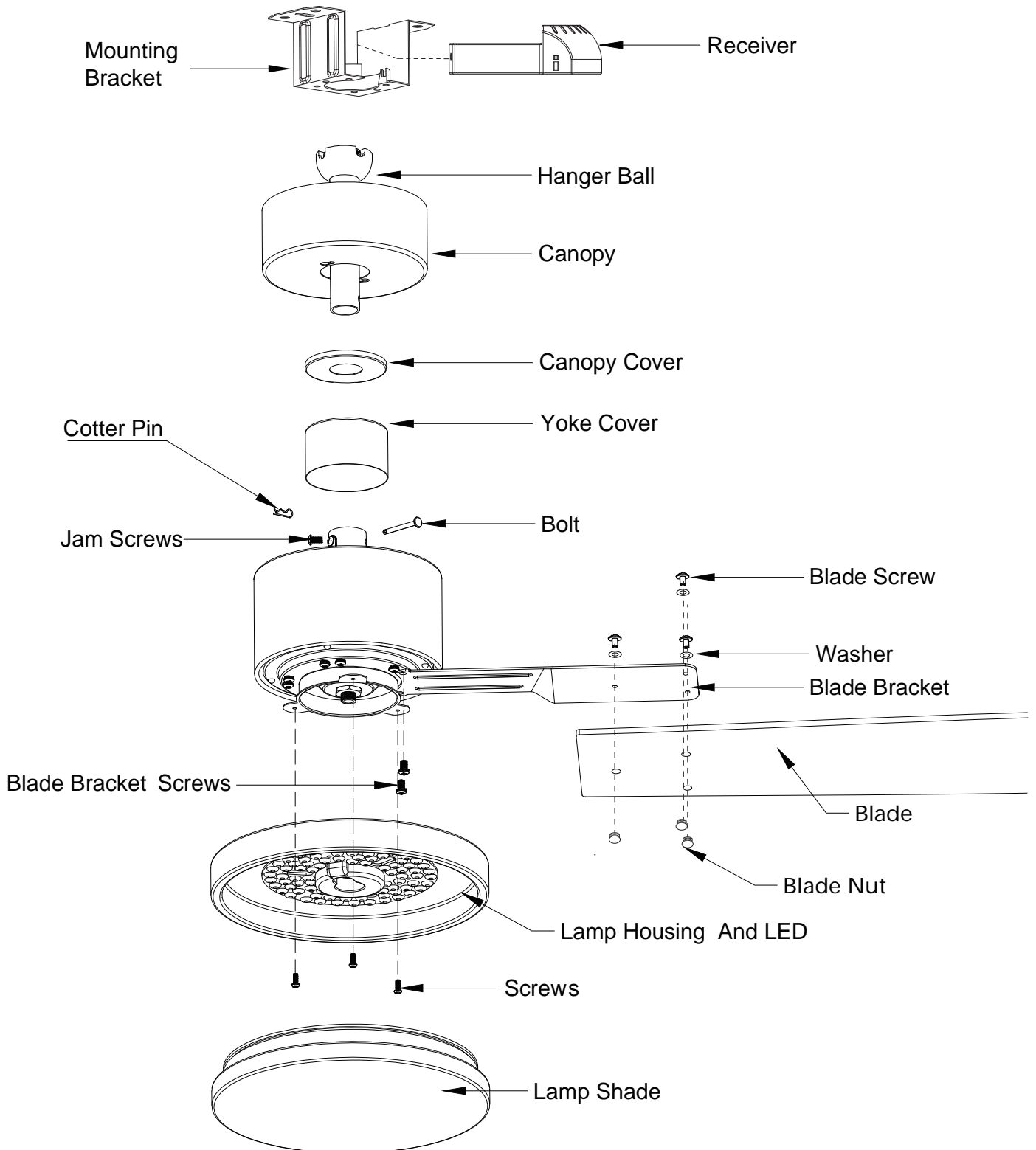
| Hardware Package        | Quantity |
|-------------------------|----------|
| S1.Machine Screw        | 2        |
| S2.Washer               | 4        |
| S3.Wood Screw           | 4        |
| S4.Blade Bracket Screws | 6        |
| S5.Blade Screw          | 16       |
| S6.Washer(Paper)        | 16       |
| S7.Wire Nut             | 3        |
| S8.Balance Kit          | 1        |
| S9. Blade Nut           | 16       |

## Fan Parts Included



| Item Name              | Quantity |
|------------------------|----------|
| 1.Remote Control       | 1        |
| 2.Mounting Bracket     | 1        |
| 3.Canopy               | 1        |
| 4.Canopy Cover         | 1        |
| 5.Yoke Cover           | 1        |
| 6.Short Downrod        | 1        |
| 7.Long Downrod         | 1        |
| 8.Motor Housing        | 1        |
| 9.Lamp Housing And LED | 1        |
| 10.Lamp Shade          | 1        |
| 11.Blade Bracket       | 5        |
| 12.Blade               | 5        |

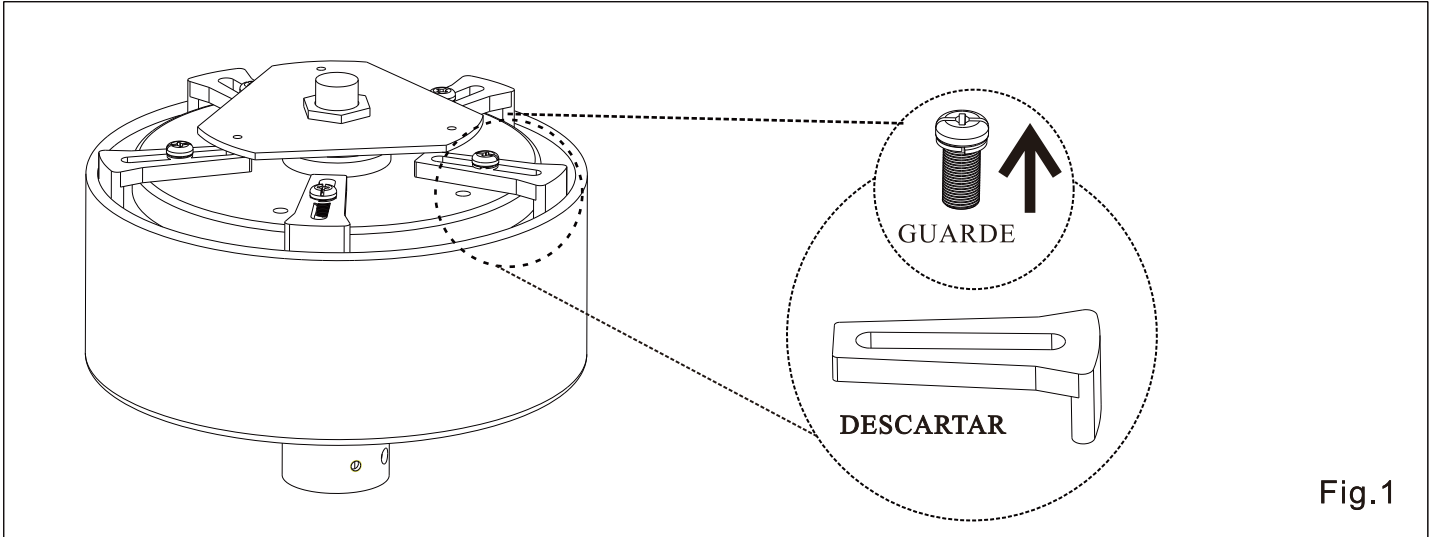
# Exploded View



# Installation Instructions

## Step1 Remove the Shipping Blocks

-Remove the shipping blocks from the motor. Save the blade arm screws. They will be needed for blade installation.



## Step2 Mounting

- Remove the fan motor housing.
- Remove the cotter pin and bolt from the downrod.
- Loosen the jam screw in the yoke until it is flush with the inside surface of the yoke.
- Remove the downrod, canopy, and yoke cover.
- Place the downrod inside the canopy and yoke cover.
- Route the wires exiting from the motor through the yoke cover, canopy, and downrod.

Fig.2a

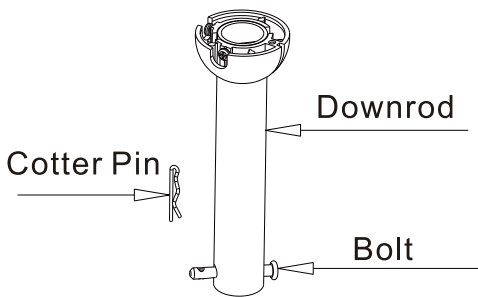


Fig.2b

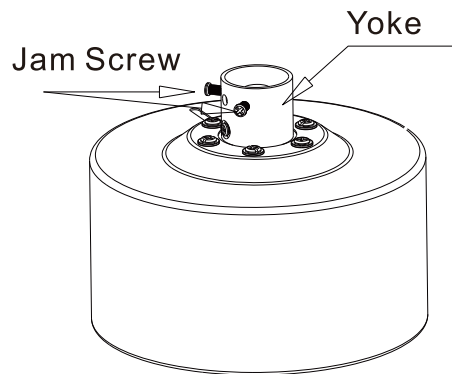
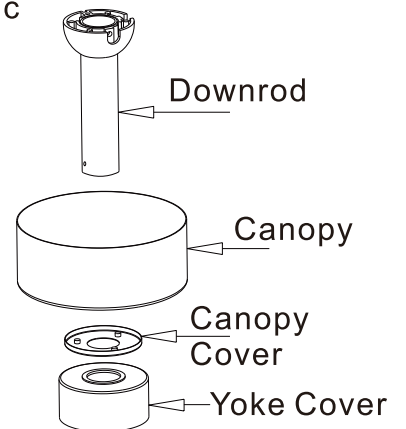


Fig.2c

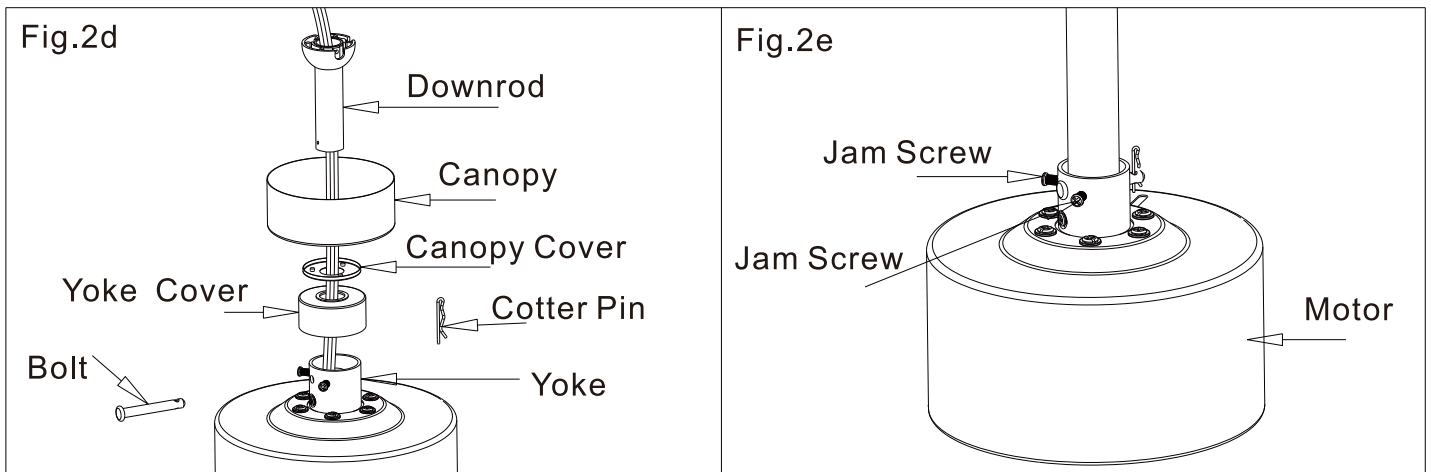


# Installation Instructions

## Step2 Mounting (Continued)

- Insert the bolt through the hole in the shaft and downrod. Be careful not to damage or cut the fan wires.
- Tighten the bolt. Secure it with the cotter pin through the hole at the end of the bolt.
- Secure the downrod in position by tightening the jam screws.
- Slide the yoke cover down, and it will be flush with the motor housing.

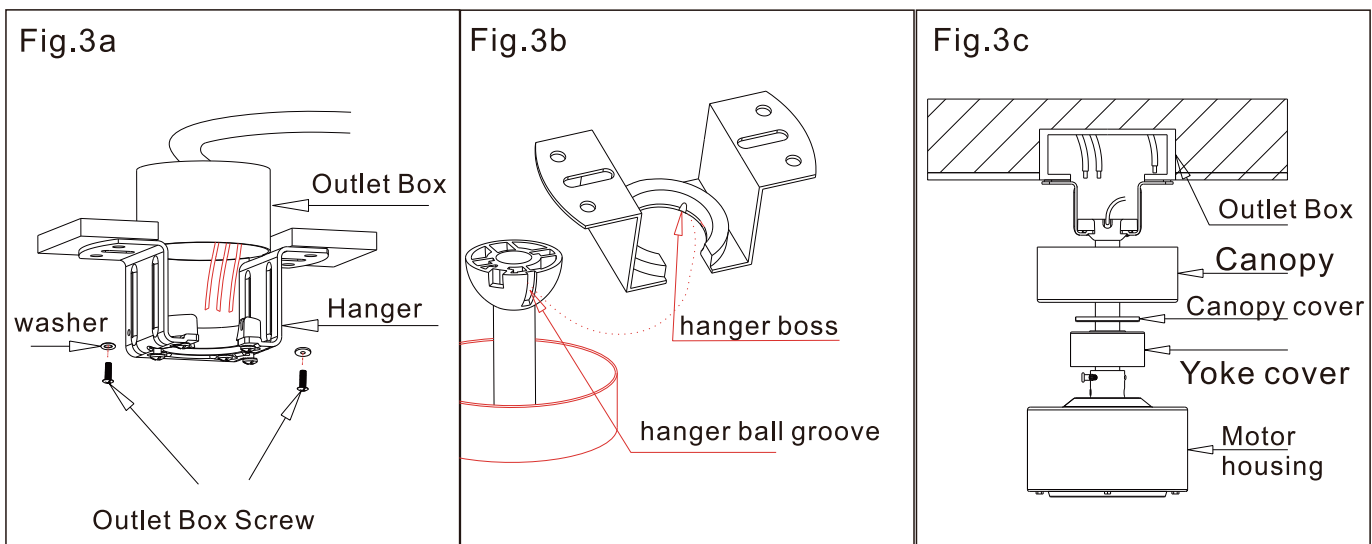
**CAUTION: To ensure stability and prevent damage, fully tighten the downrod and set screws.**



## Step3 Install Mounting Bracket

**WARNING: To reduce the risk of fire, electric shock, or personal injury, mount to a UL/CSA listed outlet box marked acceptable for fan support and use mounting screws provided with the outlet box.**

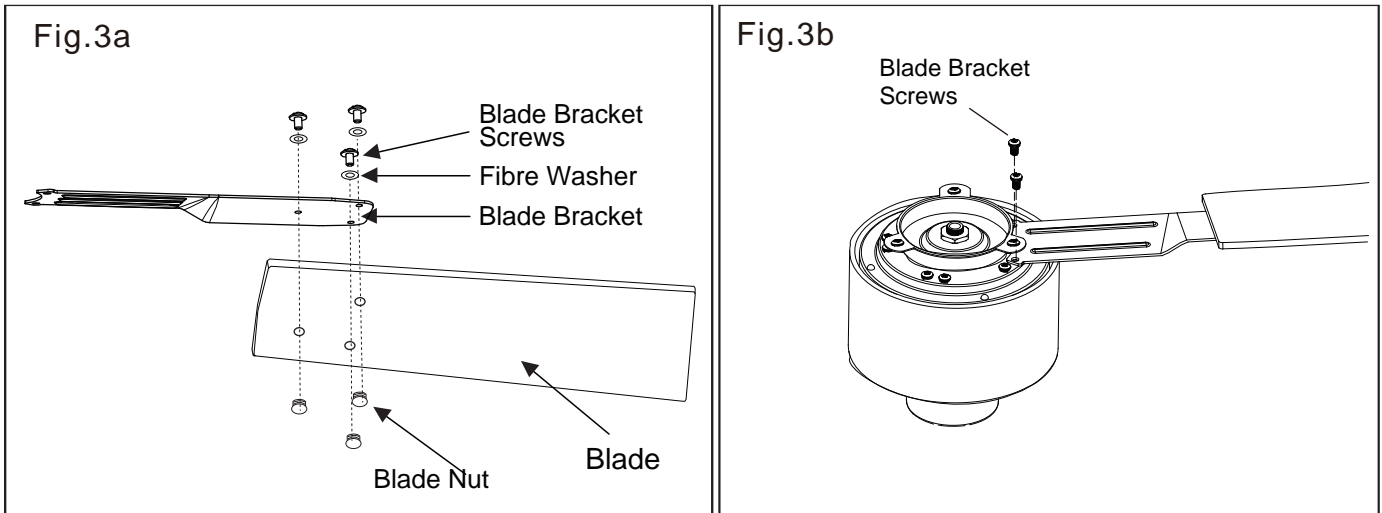
- Secure hanger to metal outlet box.
- The ceiling fan is hung on the hanger, with the hanger ball groove aligned with the hanger boss.



# Installation Instructions

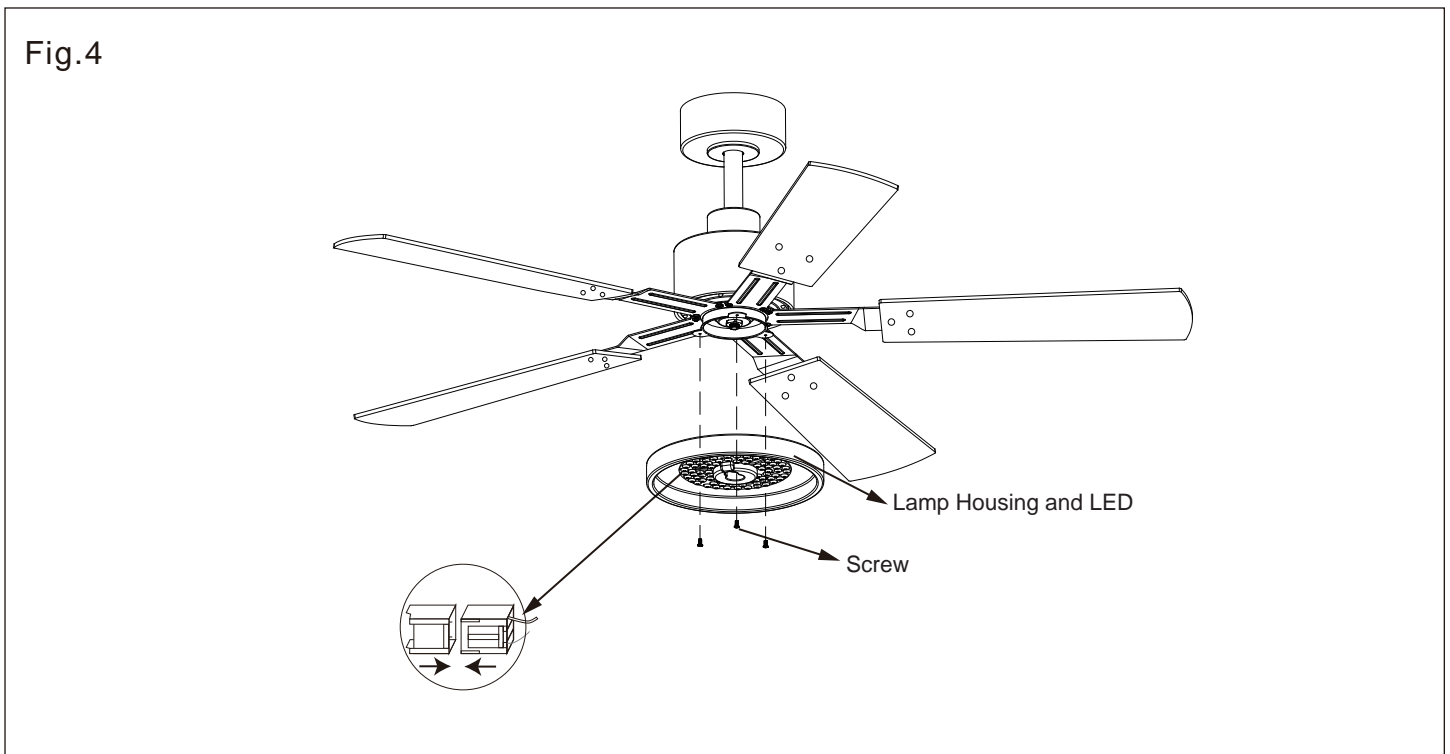
## Step3 Attaching the Fan Blades

- Place a blade bracket screw through a fibre washer, blade bracket, blade, and blade nut.
- Align with corresponding hole in the blade bracket cover .
- Repeat for the two remaining screws and tighten.



## Step4 Assembling the lamp housing

- Feed the wire through the center hole of the lamp housing.
- Fix the lamp housing with screws.
- Connect the plugs from the motor and LED.

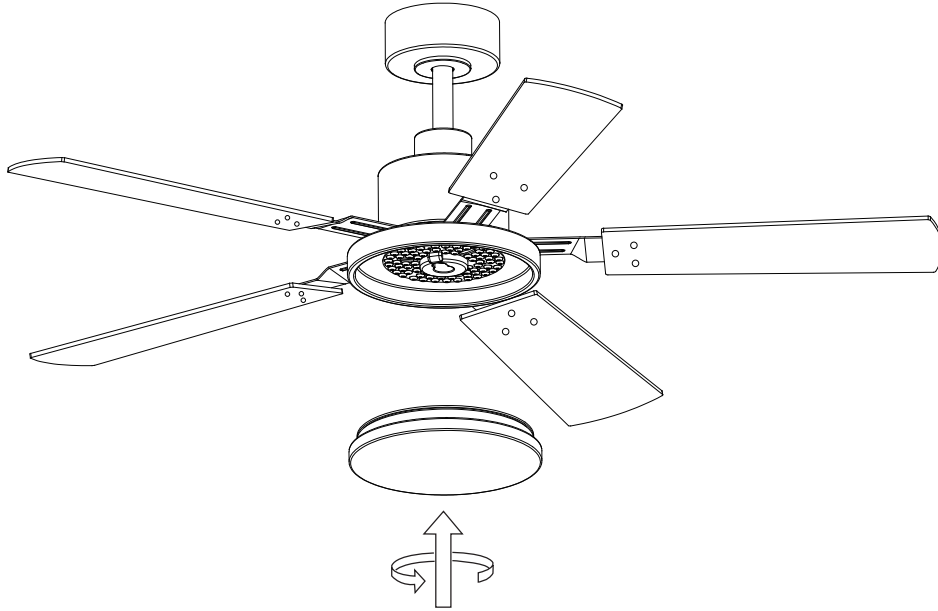


# Installation Instructions

## Step5 Installing the Lampshade

- Install the lampshade to the lamp housing by turning clockwise to lock it into place.

Fig.5



## Step6 The receiver installation

- Put the receiver in the mounting bracket.

Fig.6a

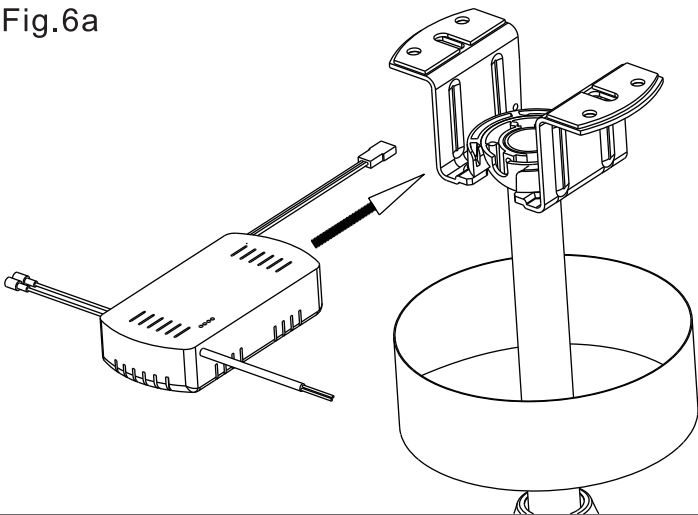
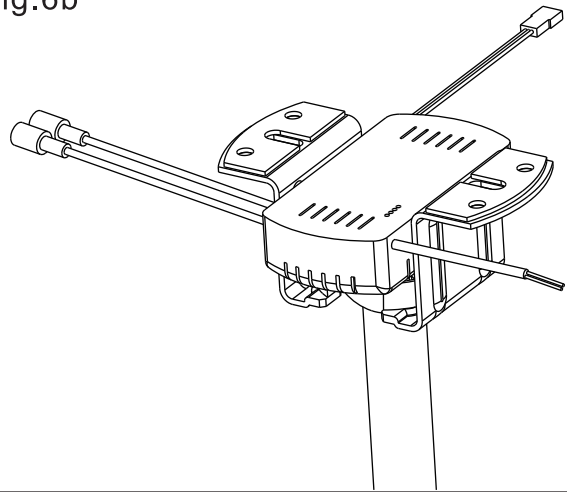


Fig.6b



# Installation Instructions

## Step7 Wiring the Fan

- Connect the wires according to the wiring diagram.

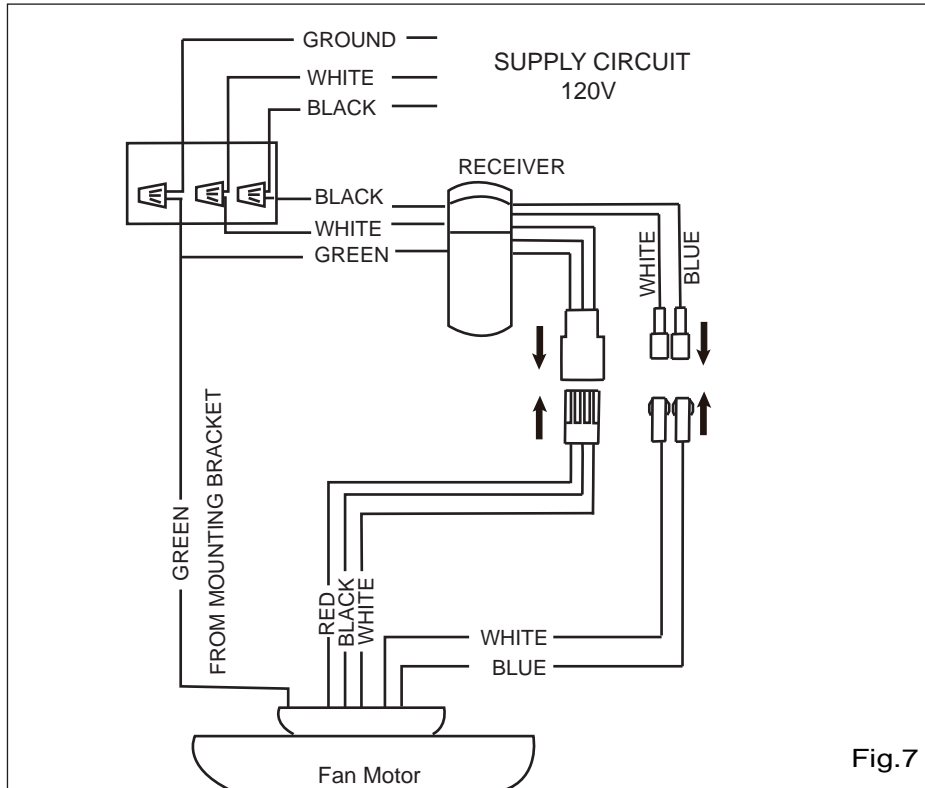


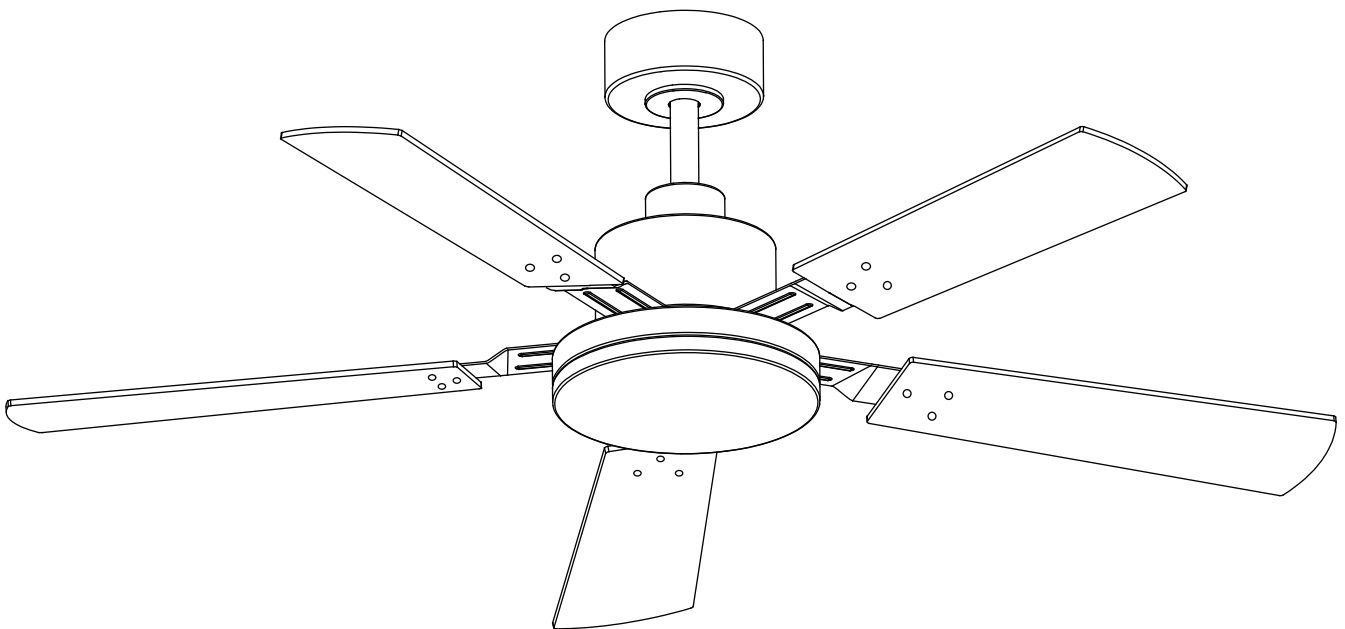
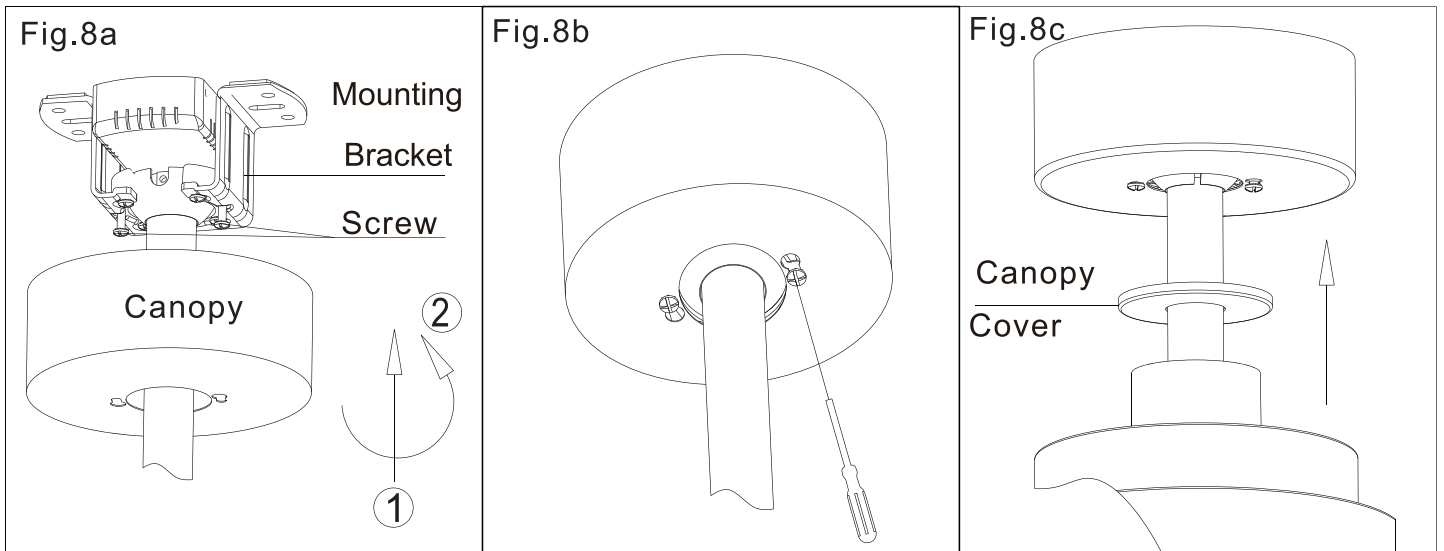
Fig.7

**NOTE:** Once the ground wires are connected, carefully tuck all wires and wire nuts into the metal box. Ensure that the wires are clear of the hemisphere and downrod when positioned in the mounting bracket.

# Installation Instructions

## Step8 Attaching the Canopy and Canopy cover

- Slide the canopy up and secure it to the mounting bracket with the provided screws. Ensure all screws are tightened securely.
- Place the decorative cover over the canopy.  
(The cover is magnetically attached.)



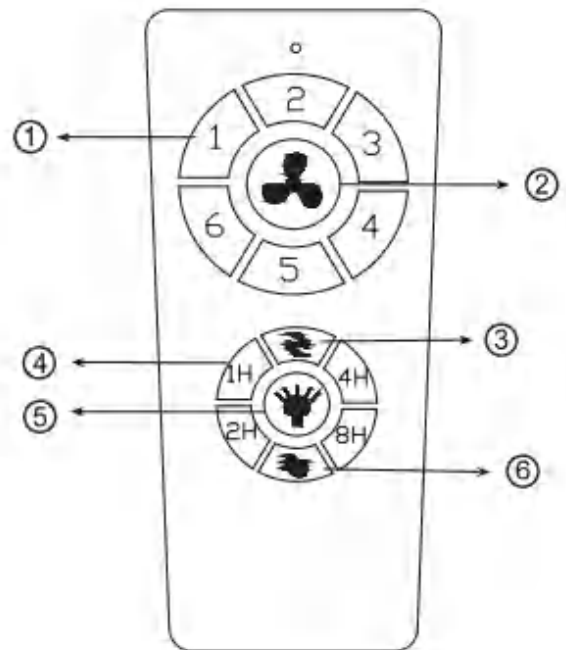
CONGRATULATIONS!  
YOU HAVE COMPLETED THE INSTALLATION

# OPERATION

## FUNCTION INSTRUCTIONS FOR EMITTER

- A learning code matching mode is used between the emitter and the receiver.
- Open the battery cover on the handheld remote and insert a pair of AAA (1.5V) batteries (not included).
- If the emitter cannot control the fan, use the learning code matching mode to pair the emitter and receiver.
- Turn on the power supply. Within 10 seconds, press and hold the emitter's "👤" button for 5 seconds. A long beep sound indicates successful pairing and normal operation.
- If the emitter cannot control the receiver, check whether the battery is properly installed, including polarity and battery level.
- If the problem persists, check for other remote-controlled devices nearby using the same frequency, as they may interfere with signal transmission.
- Remove the battery from the emitter if it will not be used for an extended period.
- When installing the fan, ensure that the ceiling cover does not press against the antenna or any wires, as this may cause damage or a short circuit.

- ① 6-Speed Fan Control (1–6)
- ② Fan On/Off
- ③ Forward & Reverse Rotation
- ④ Timer (1H, 2H, 4H, 8H)
- ⑤ Light On/Off / Color Temperature Switch / Code Pairing
- ⑥ Natural Wind Mode



## Light Memory Function

The light turns on with a default color temperature when the ceiling fan is powered on.

If the light is turned off and remains off for more than 1 minute, the current color temperature will be memorized.

When turned on again, the light will return to the previously used color temperature.

# Troubleshooting Guide

If you have difficulty in operating your new ceiling fan it may be the result of incorrect assembly, installation, or wiring. In some cases these installation errors may be mistaken for defects. If you experience any faults please check this troubleshooting guide.

|   | Problem                 | Suggested Remedy   |
|---|-------------------------|--|
| 1 | If fan does not work .  | <ul style="list-style-type: none"> <li><input type="checkbox"/> Check the main and branch circuit fuses or breakers.</li> <li><input type="checkbox"/> Check the line wire connections to the fan and switch wire connections in the switch housing.</li> <li><input type="checkbox"/> Check the battery in the remote control.</li> <li><input type="checkbox"/> Ensure you are in the normal range of 10-20 feet.</li> </ul>   |
| 2 | If fan sounds noisy.    | <ul style="list-style-type: none"> <li><input type="checkbox"/> Ensure all motor housing screws are snug.</li> <li><input type="checkbox"/> Ensure the screws that attach the fan blade bracket to the motor hub are tight.</li> <li><input type="checkbox"/> Ensure the wire nut connections are not rattling against each other or the interior wall of the switch housing.</li> <li><input type="checkbox"/> EObserve the fan for 24 hours after installation. Most noises associated with a new fan disappear during this time.</li> <li><input type="checkbox"/> If you are using the Ceiling Fan light kit, ensure the screws securing the glassware are tight. Check that the light bulbs are also secure.</li> <li><input type="checkbox"/> Ensure the canopy is a short distance from the ceiling. It should not touch the ceiling.</li> <li><input type="checkbox"/> Ensure your outlet box is secure and rubber isolator pads were used between the mounting plate and outlet box.</li> </ul>   |
| 3 | If fan wobbles.         | <ul style="list-style-type: none"> <li><input type="checkbox"/> Check that all blades are screwed firmly into blade holders.</li> <li><input type="checkbox"/> Check that all blade holders are tightened securely to motor.</li> <li><input type="checkbox"/> Make sure that canopy and mounting bracket are tightened securely to ceiling junction box and junction box is mounted firmly to ceiling joist.</li> <li><input type="checkbox"/> Most fan wobble problems are caused when blade levels are unequal. Check this level by selecting a point on the ceiling above the tip of one of the blades keeping measure within 1/8 in. Rotate the fan until the next blade is positioned for measurement. Repeat for each blade. If all blade levels are not equal you can adjust blade levels by the following procedure. To adjust a blade tip down insert a washer (not included) between the blade and blade holder at the screw closest to the motor. To adjust a blade tip up insert washer (not supplied) between the blade and blade holder at the two screws farthest from the motor.</li> <li><input type="checkbox"/> If blade wobble is still noticeable interchanging two adjacent (side by side) blades can redistribute the weight and possibly result in smoother operation.</li> </ul> |
| 4 | If light does not work. | <ul style="list-style-type: none"> <li><input type="checkbox"/> Check blue wire from fan to make sure it is connected to hot wire from the house.</li> <li><input type="checkbox"/> Check for loose or disconnected wires in fan switch housing.</li> <li><input type="checkbox"/> Check for loose or disconnected wires in light kit.</li> <li><input type="checkbox"/> Check for faulty light bulbs. CAUTION: Make sure main power is turned off before entering switch housing.</li> <li><input type="checkbox"/> If the fan light shuts off shortly after being switched on it may be due to excessive current demand. Turn off power to the fan and replace the light bulbs with lower wattage bulbs. Turn on power to the fan using the pull chain, wall switch, or remote control (whichever is installed on the particular fan).</li> </ul>  |

## Balancing Kit

Use the balancing kit only if excessive fan wobble persists after completing all the steps under “Attaching the Fan Blades” in your Owner’s Manual.

1. Turn on the fan and set it to the speed where the wobble is most noticeable.
2. Turn off the fan and allow it to come to a complete stop. Select one blade and place the balancing clip halfway between the blade holder and the tip, on the trailing edge.
3. Turn the fan back on and observe whether the wobble has increased or decreased. Repeat the test on each blade, noting which one shows the most improvement.
4. Move the clip back to the blade that showed the greatest improvement. Adjust the clip’s position slightly inward and outward along the blade to find the optimal location.
5. Remove the clip and attach a balancing weight to the top of the blade, near the clip position, along the centerline.
6. If the wobble persists, you may further improve the balance by using the clip and additional weights.

