

# Hall Tree

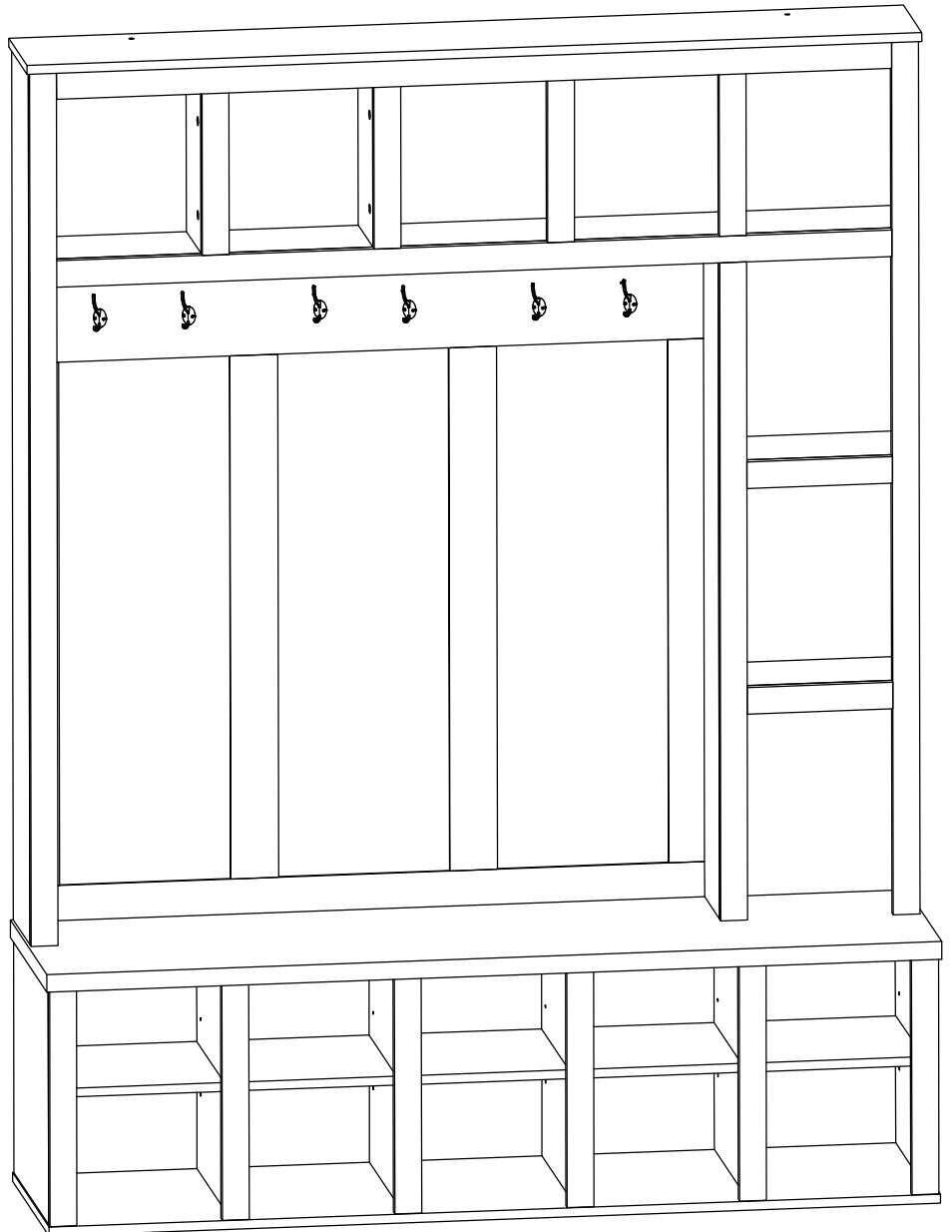
Assembly Instructions -Please keep for future reference

SKU: N721P428449/N721P428450

**! WARNING**



This product is NOT a Clothing Storage Unit (CSU).  
DO NOT use it for clothing storage.  
Improper use may cause furniture tipover.



## Dimensions

Width-59.5 inch

Depth-15.8 inch



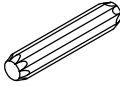




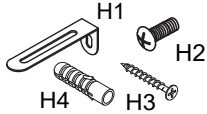
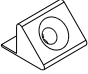



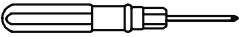
Height-76.8 inch

Important -Please read these instructions fully before starting assembly

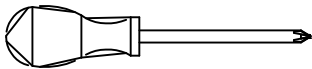
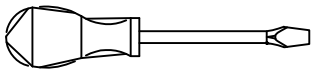
# Components -Fittings

Please check you have all the panels listed below

Note: The quantities below are the correct amount to complete the assembly. In some cases more fittings may be supplied than are required.

<p>(A) </p> <p>Cam Bolt x 101+3</p>	<p>(B) </p> <p>Cam lock x101+3</p>	<p>(C) </p> <p>6x40mm Dowel x 60+3</p>	<p>(D) </p> <p>3*16mm Screw x 46+1</p>
<p>(E) </p> <p>Clothes hook x 6</p>	<p>(F) </p> <p>7*50mm Screw x 26+2</p>	<p>(G) </p> <p>Movable partition bracket x 20</p>	<p>(H) </p> <p>Anti-tipping device X 2</p>
<p>(I) </p> <p>Plastic buckle x 34</p>	<p>(J) </p> <p>Felt mat X 10</p>	<p>(K) </p> <p>Sticker Cover x 64+3</p>	<p>(L) </p> <p>Allen Wrench x 1</p>
<p>(M) </p> <p>Screwdriver x 1</p>			

## Tools required



Phillips screwdriver  
(medium & large)



# Safety and Care Advice

**Important – Please read these instructions fully before starting assembly**

- Check you have all the components and tools listed on the following pages.
- Remove all fittings from the plastic bags and separate them into their groups.
- Keep children and animals away from the work area, small parts could choke if swallowed.
- Make sure you have enough space to layout the parts before starting.

- During assembly do not stand or put weight on the product, this could cause damage.
- Assemble the item as close to its final position (in the same room) as possible.
- Assemble on a soft level surface to avoid damaging the unit or your floor.
- Parts of the assembly will be easier with 2 people.



power drill is set on a low torque setting.

- To reduce the likelihood of damaging your product please ensure that your

## Care and maintenance

- Only clean using a damp cloth and mild detergent, do not use bleach or abrasive cleaners.
- From time to time check that there are no loose screws on this unit.
- This product should not be discarded with household waste. Take to your local authority waste disposal centre.

## Handy Hints

- Assemble all parts and bolts loosely during assembly, only once the product is complete should you fully tighten the bolts
- Regularly check and ensure that all bolts and fittings are tightened properly.

**WARNING**  
**In order to help prevent overturning – please follow these instructions**

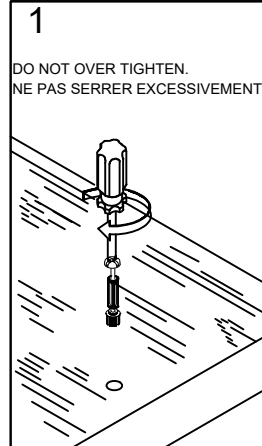
To help prevent product toppling over please follow the below steps:-

- Use the anti tip stap or wall fixing method provided (if applicable)
- Do not allow children to climb or hang on the furniture
- Do not open more than one drawer at a time
- Do not place heavy items in the top drawers
- Do not place heavy items on top of the furniture, unless the furniture has been designed for this purpose

# Using Camlocks

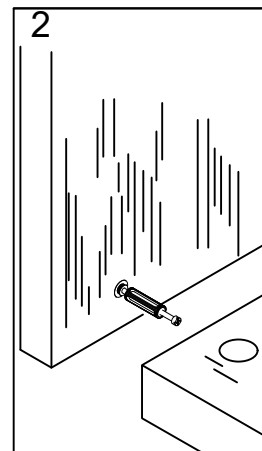
## Step 1

Connect the male camlock as directed in the assembly instructions using a screwdriver.



## Step 2

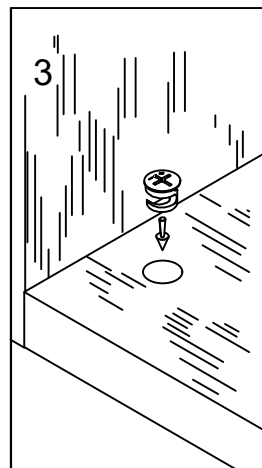
Push the male camlock into the entry hole.



## Step 3

Insert the female camlock as shown in the instruction.

Note: ensure that the arrow on the top of the camlock points towards the entry hole for the male camlock.

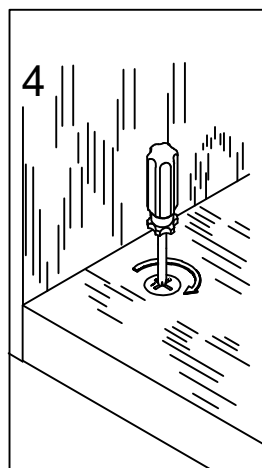


## Step 4

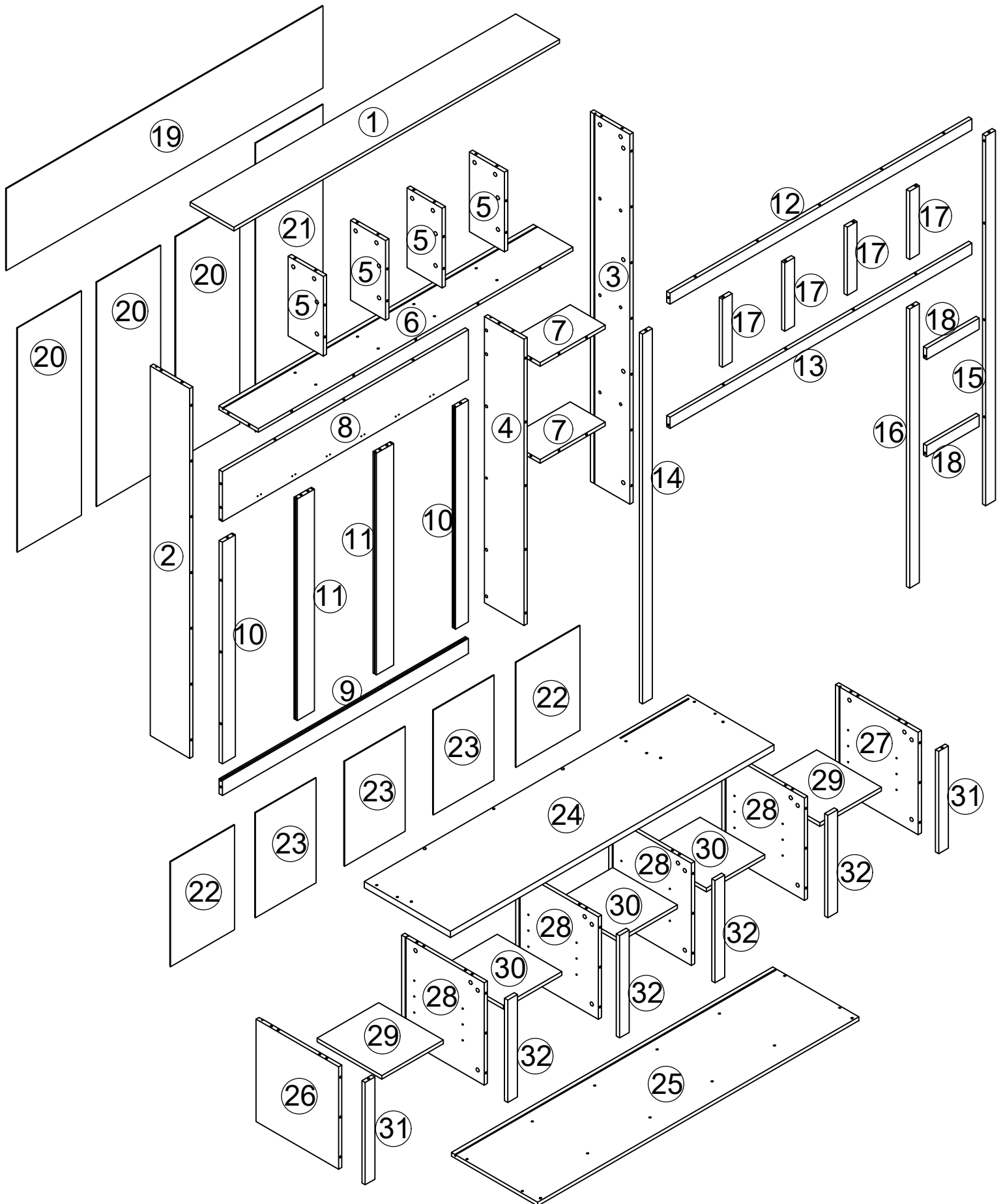
Turn the female camlock clockwise with a screwdriver.

You should feel a click when the camlock is locked in place.

The joint is now secure.

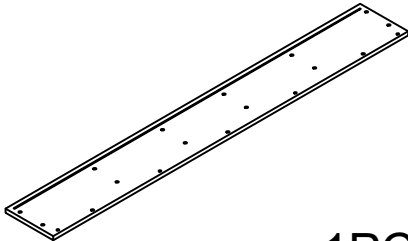
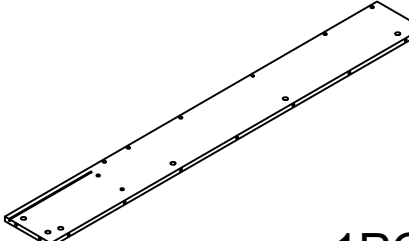
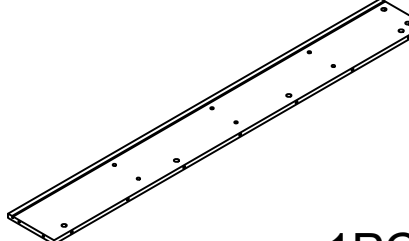
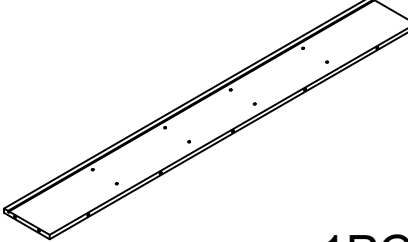
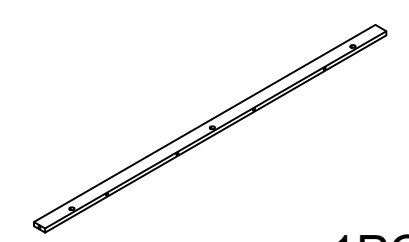
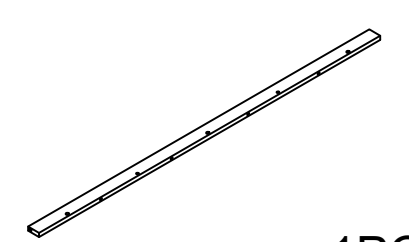
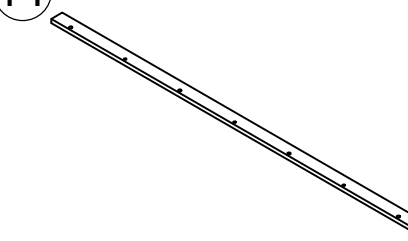
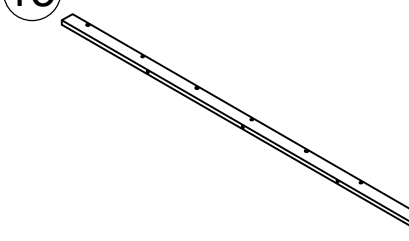
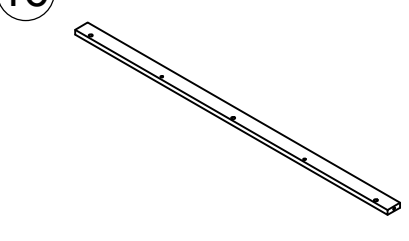
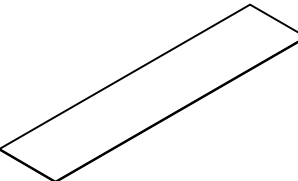
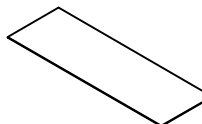
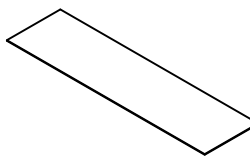
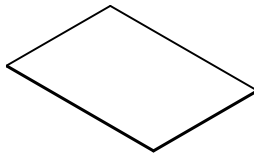
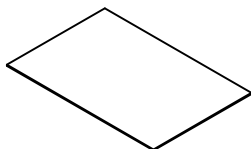
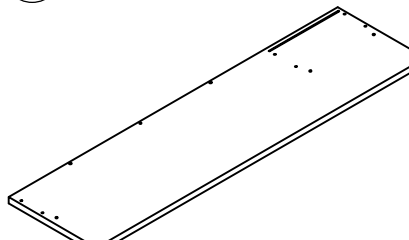
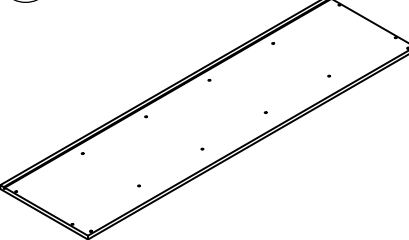


# Assembly Instructions

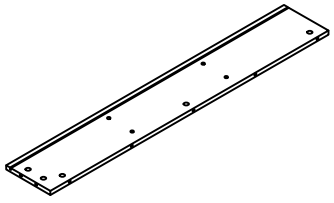
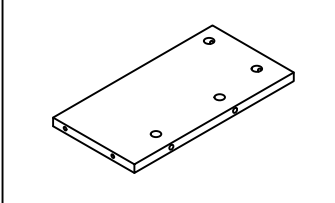
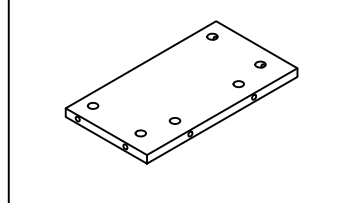
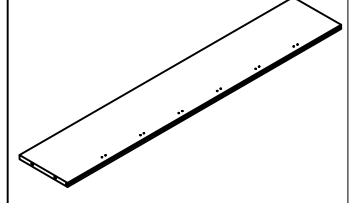
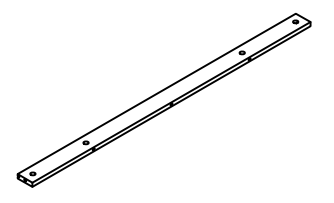
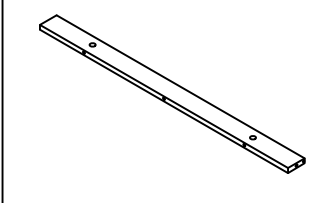
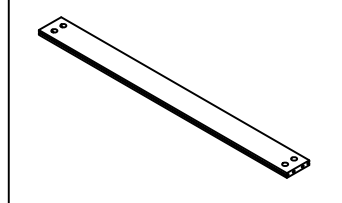
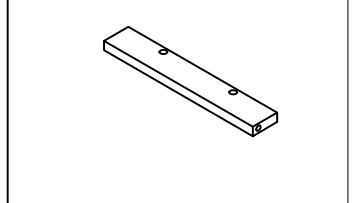
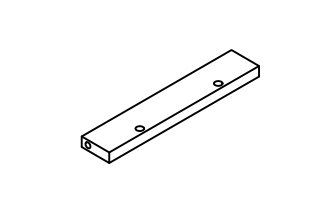
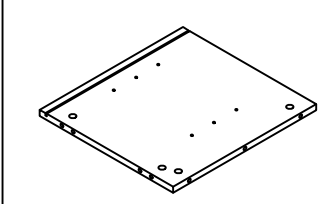
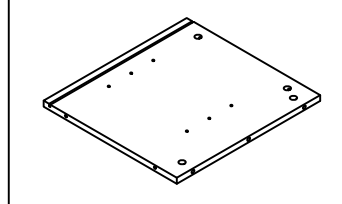
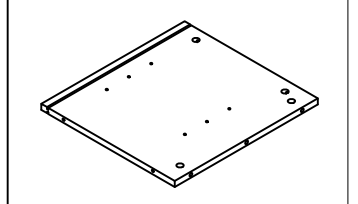
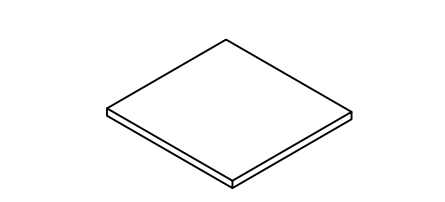
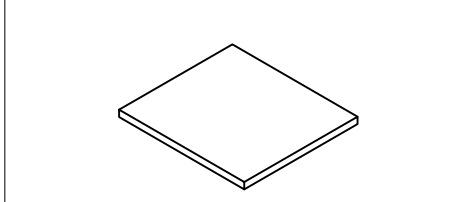
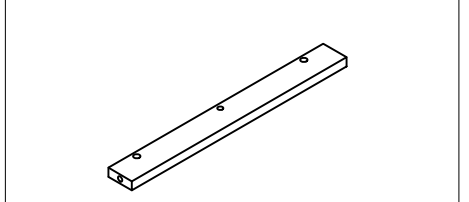
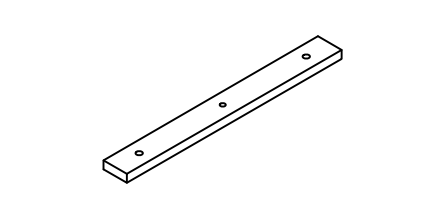
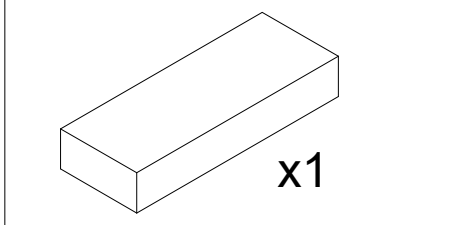


There are 2 boxes of this product.

# BOX A - N721P428449

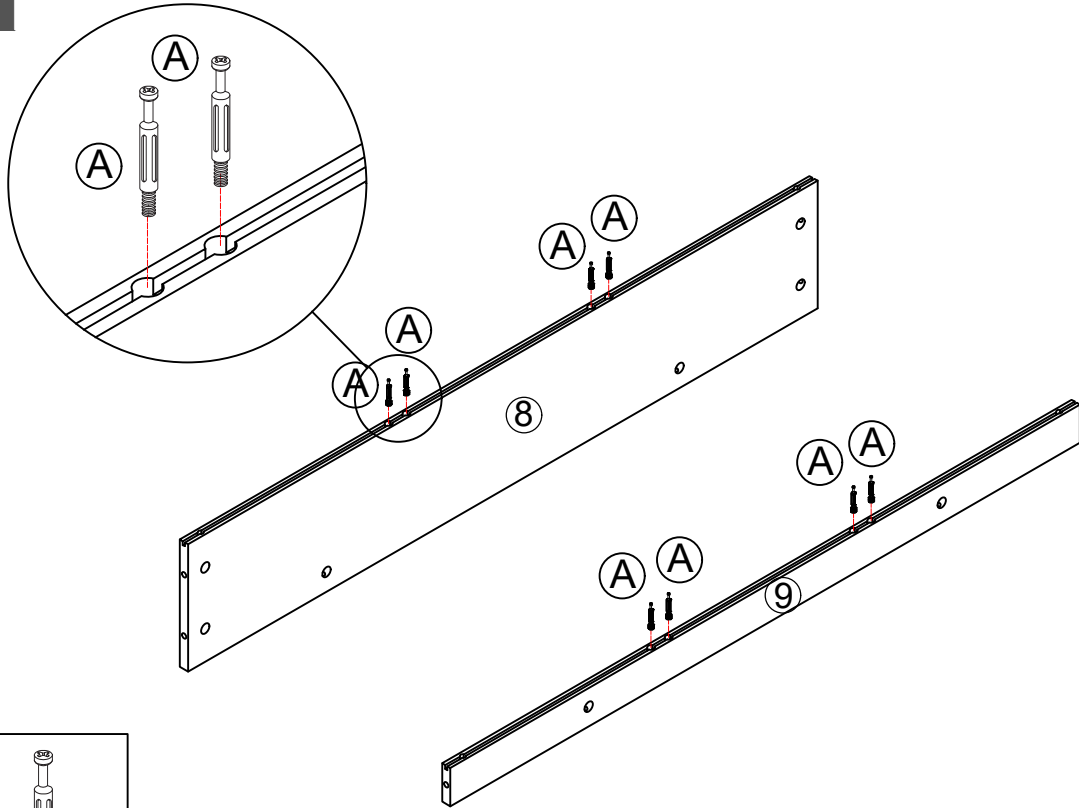
① 1500*200*15mm  1PC	② 1485*180*15mm  1PC	③ 1485*180*15mm  1PC	
⑥ 1460*180*15mm  1PC	⑫ 1400*45*15mm  1PC	⑬ 1400*45*15mm  1PC	
⑭ 1485*45*15mm  1PC	⑮ 1485*45*15mm  1PC	⑯ 1120*45*15mm  1PC	
⑲ 1467*327*4mm  1PC	⑳ 897*294*4mm  3PCS	㉑ 1157*311*4mm  1PC	㉒ 407*296*4mm  2PCS
㉓ 407*281*4mm  3PCS	㉔ 1500*400*30mm  1PC	㉕ 1490*400*15mm  1PC	

# BOX B - N721P428450

<p>④ 1150*180*15mm</p>  <p>1PC</p>	<p>⑤ 320*160*15mm</p>  <p>4PCS</p>	<p>⑦ 304*160*15mm</p>  <p>2PCS</p>	<p>⑧ 1141*200*15mm</p>  <p>1PC</p>
<p>⑨ 1141*60*15mm</p>  <p>1PC</p>	<p>⑩ 890*60*15mm</p>  <p>2PCS</p>	<p>⑪ 890*80*15mm</p>  <p>2PCS</p>	<p>⑰ 274*45*15mm</p>  <p>4PCS</p>
<p>⑱ 244*45*15mm</p>  <p>2PCS</p>	<p>⑳ 400*380*15mm</p>  <p>1PC</p>	<p>㉓ 400*380*15mm</p>  <p>1PC</p>	<p>㉔ 400*380*15mm</p>  <p>4PCS</p>
<p>㉙ 288*300*15mm</p>  <p>2PCS</p>	<p>㉚ 273*300*15mm</p>  <p>3PCS</p>	<p>㉛ 400*45*15mm</p>  <p>2PCS</p>	
<p>㉜ 400*45*15mm</p>  <p>4PCS</p>	 <p>x1</p> <p>Hardware Kit</p>		

# Assembly Instructions

## Step 1

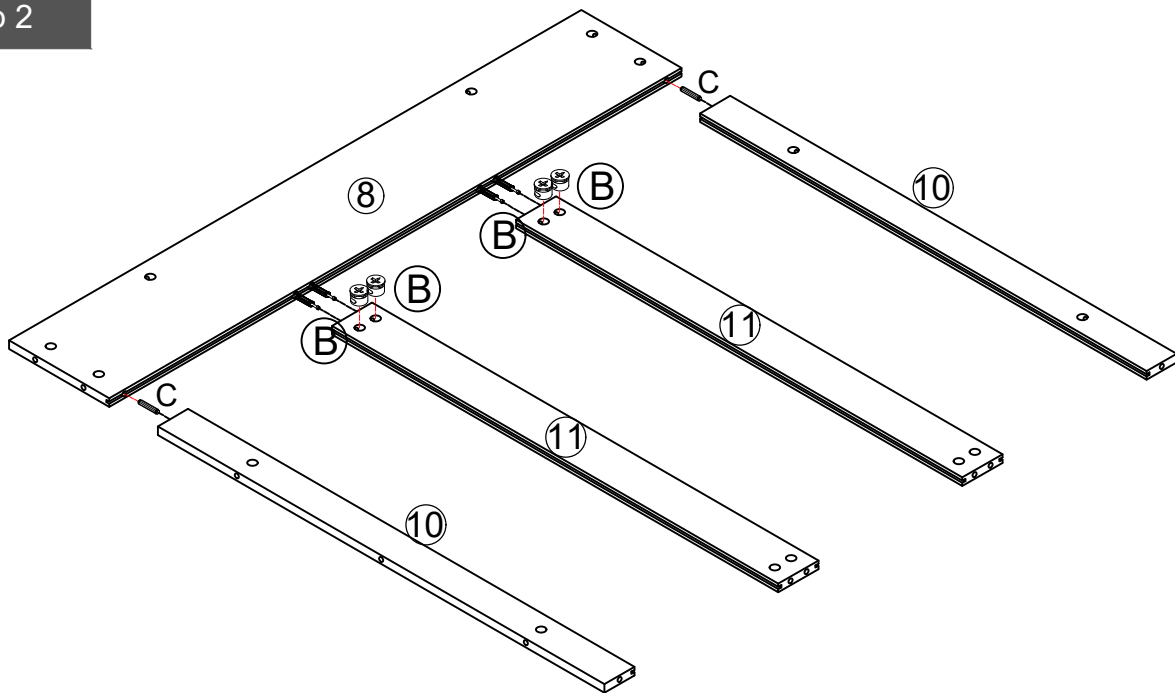


(A)



Cam Bolt x 8

## Step 2

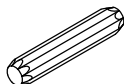


(B)

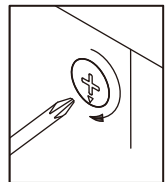
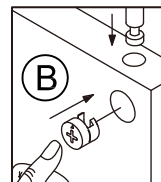


Cam lock x 4

(C)

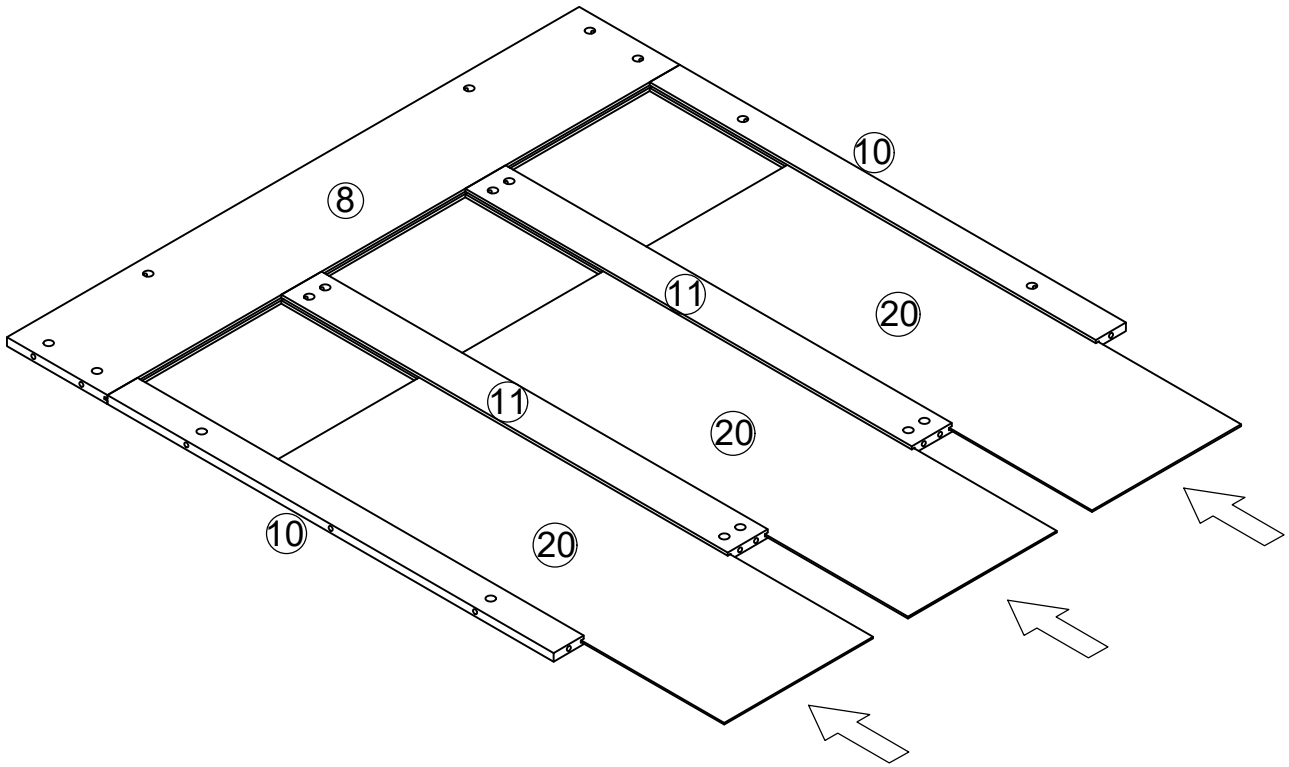


Dowel x 2

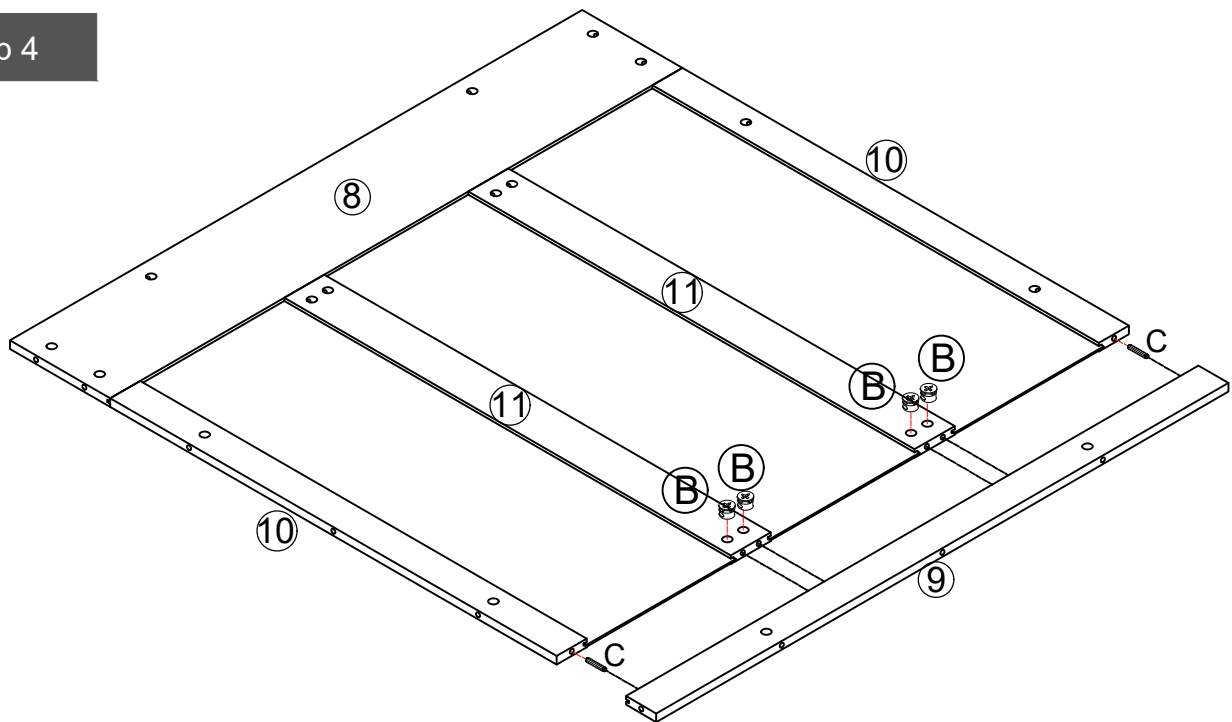


# Assembly Instructions

## Step 3



## Step 4

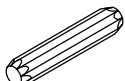


(B)

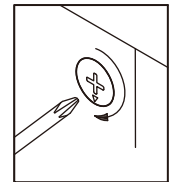
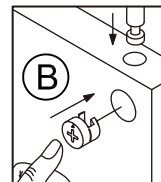


Cam lock x 4

(C)

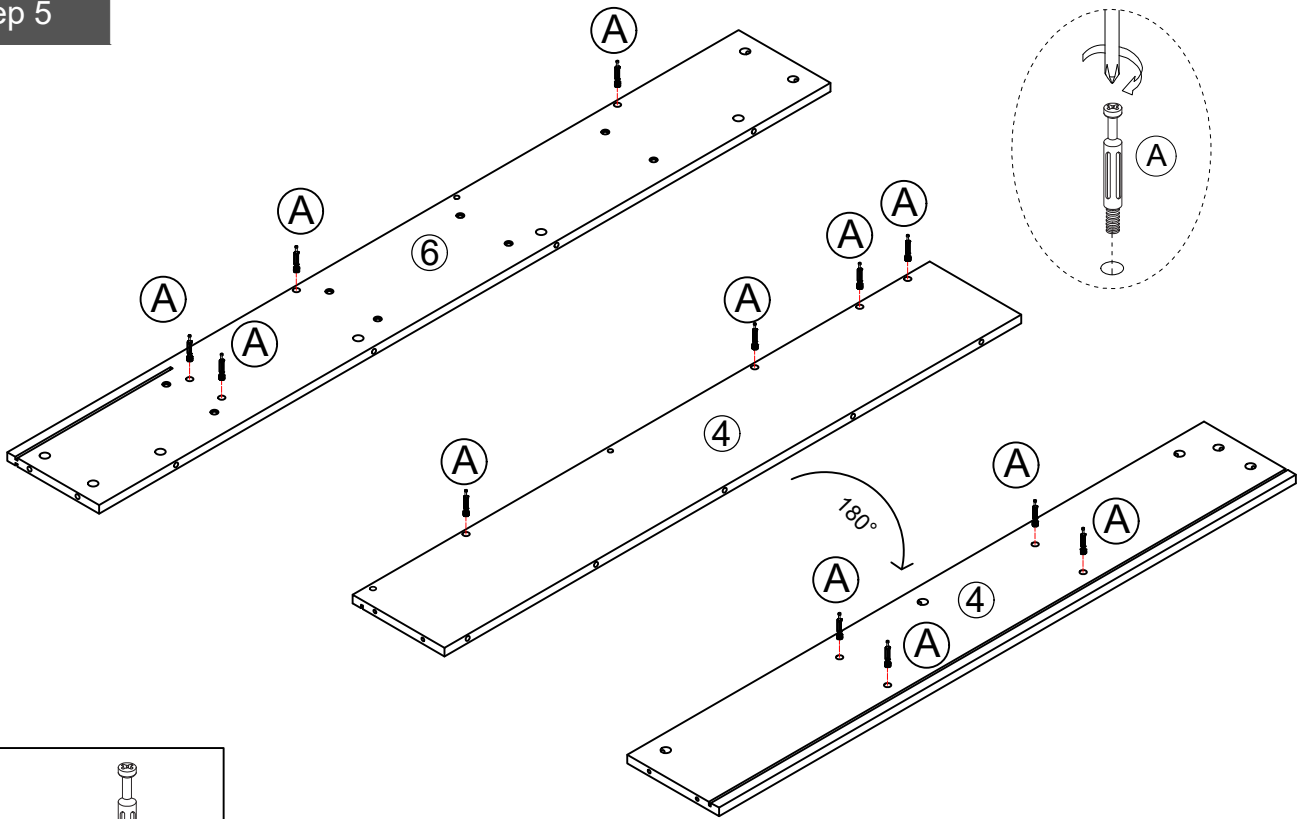


Dowel x 2

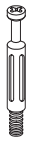


# Assembly Instructions

## Step 5

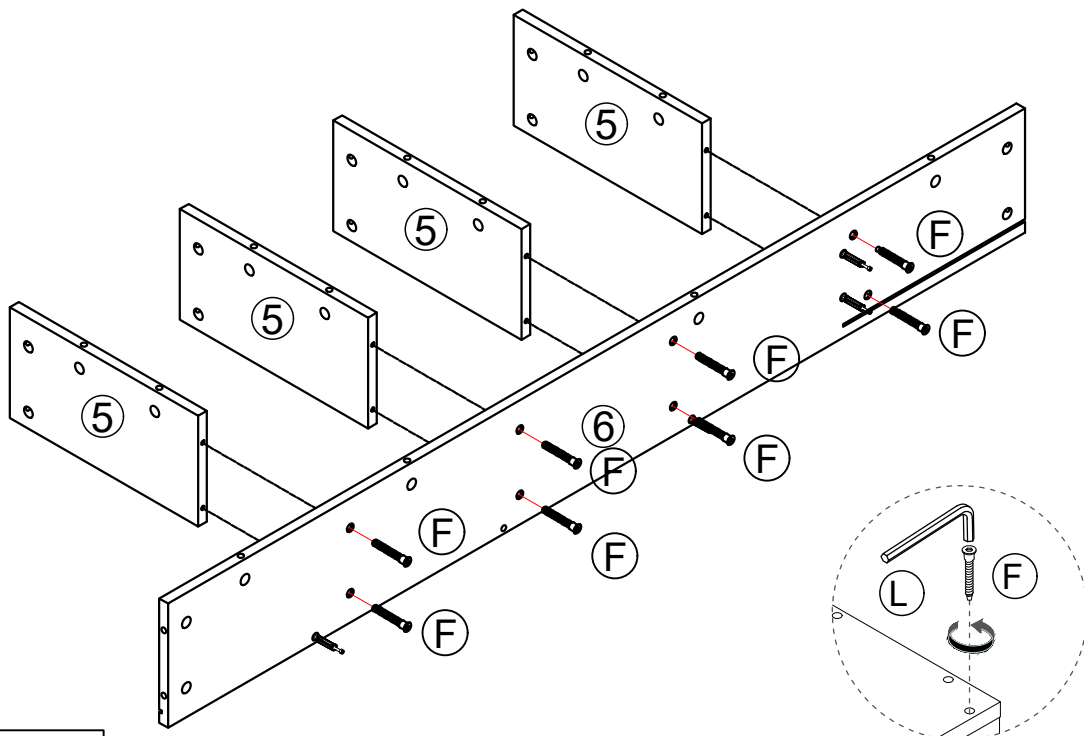


(A)



Cam Bolt x 12

## Step 6



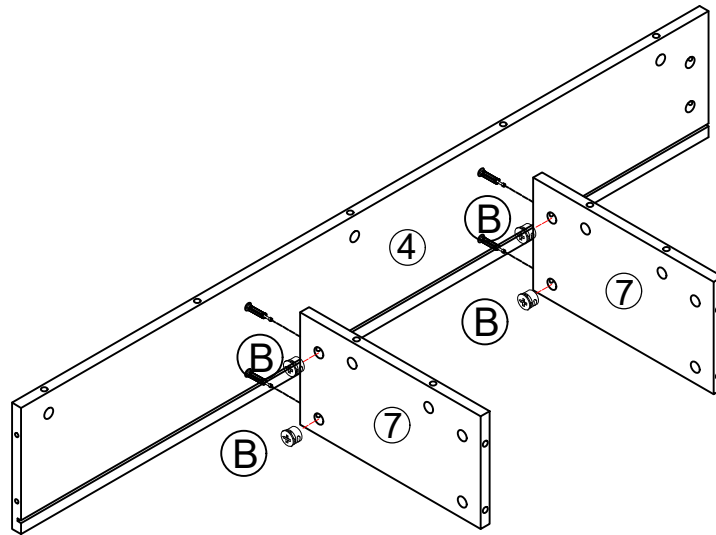
(F)



7\*50mm Screw x 8

# Assembly Instructions

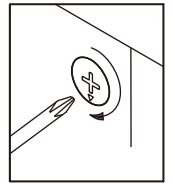
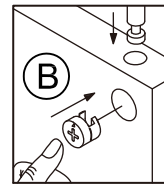
## Step 7



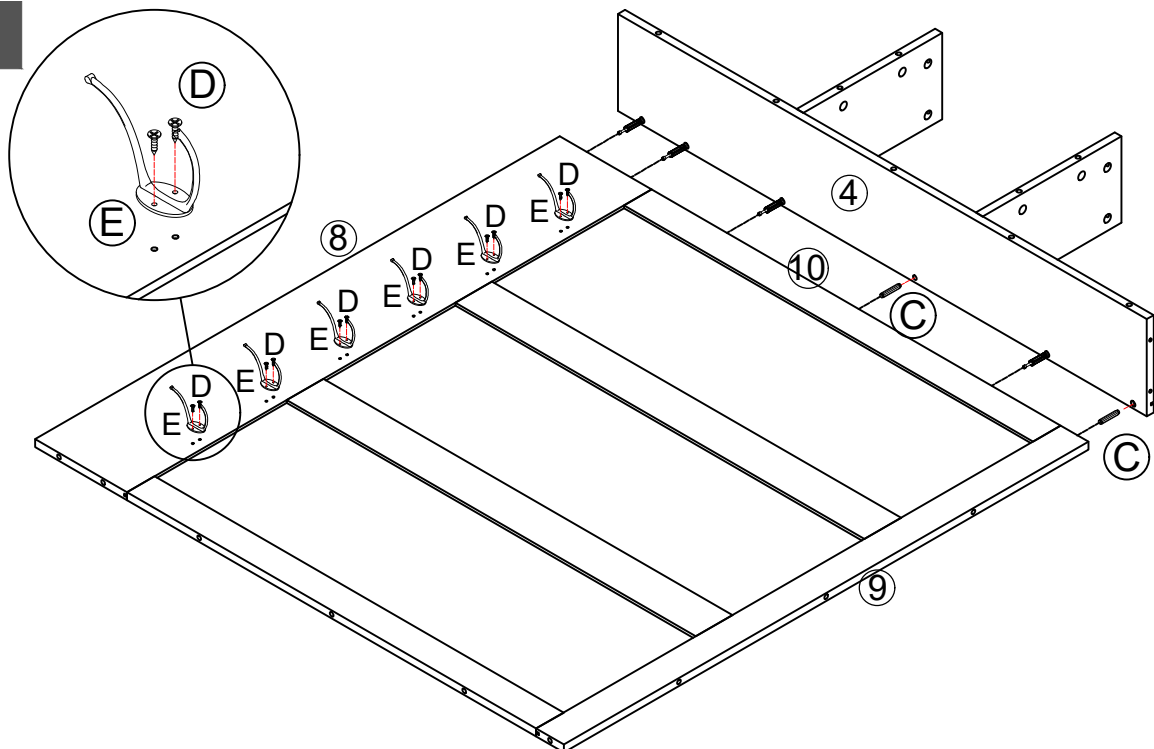
(B)



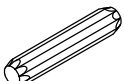
Cam lock x 4



## Step 8



(C)



Dowel x 2

(D)



3\*16mm Screw x 12

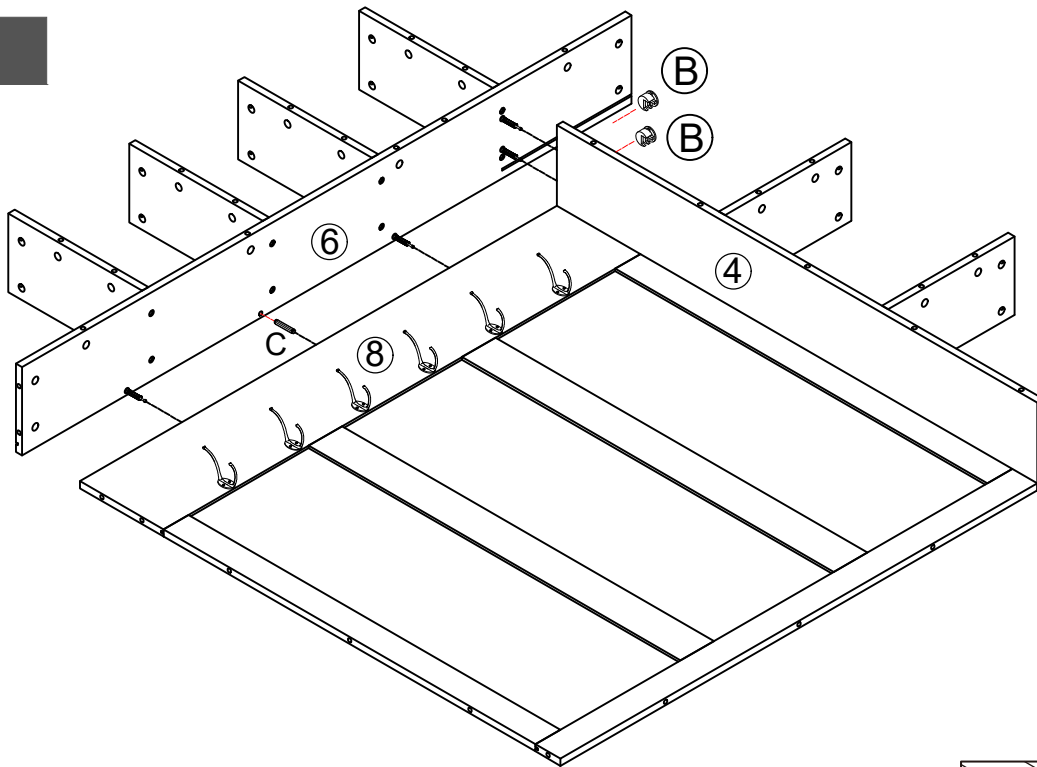
(E)



Clothes hook x 6

# Assembly Instructions

## Step 9

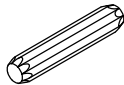


(B)

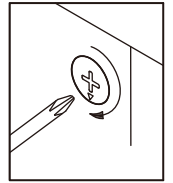
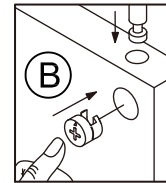


Cam lock x 2

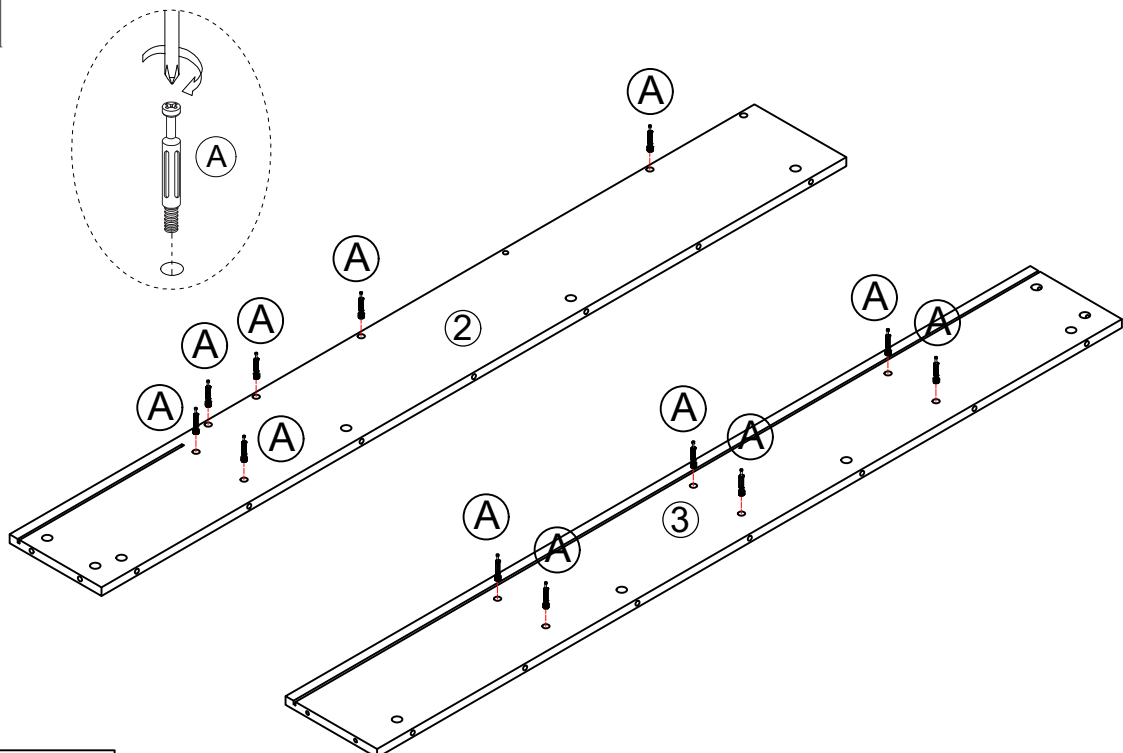
(C)



Dowel x 1



## Step 10



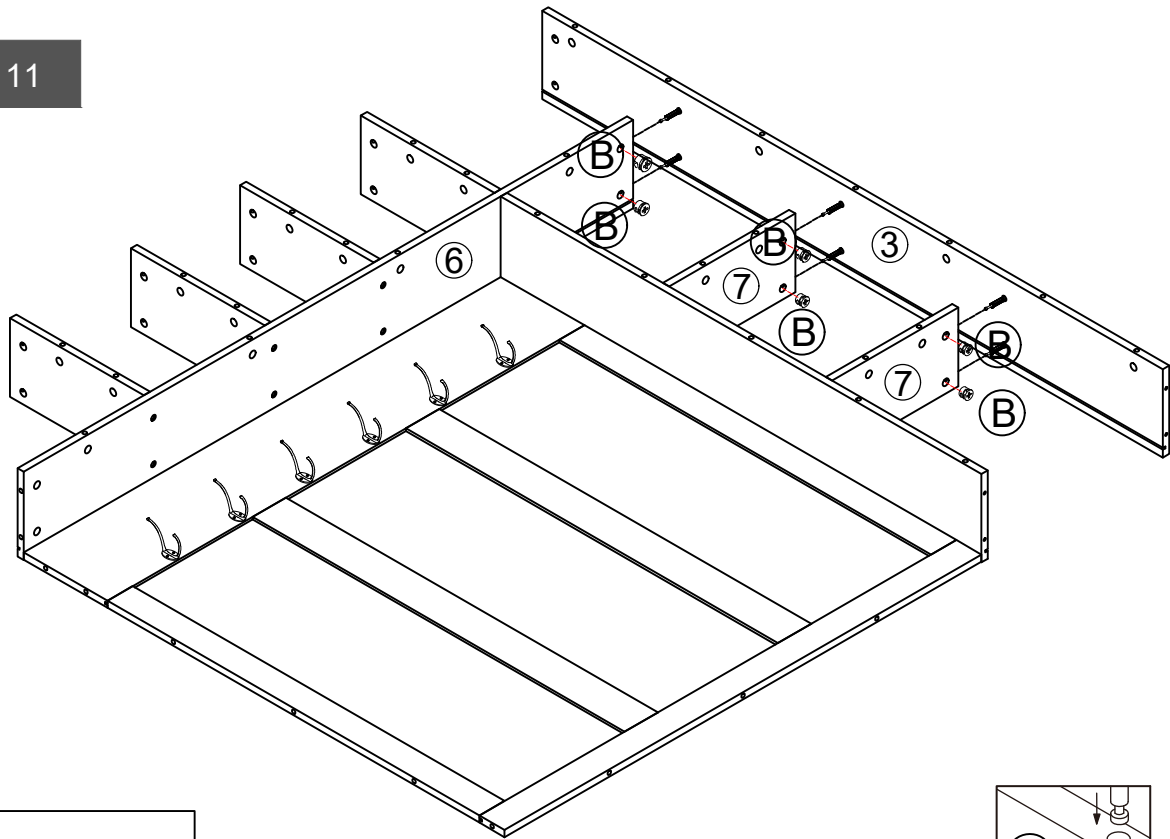
(A)



Cam Bolt x 12

# Assembly Instructions

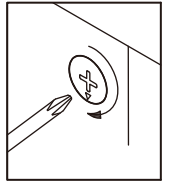
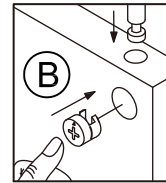
## Step 11



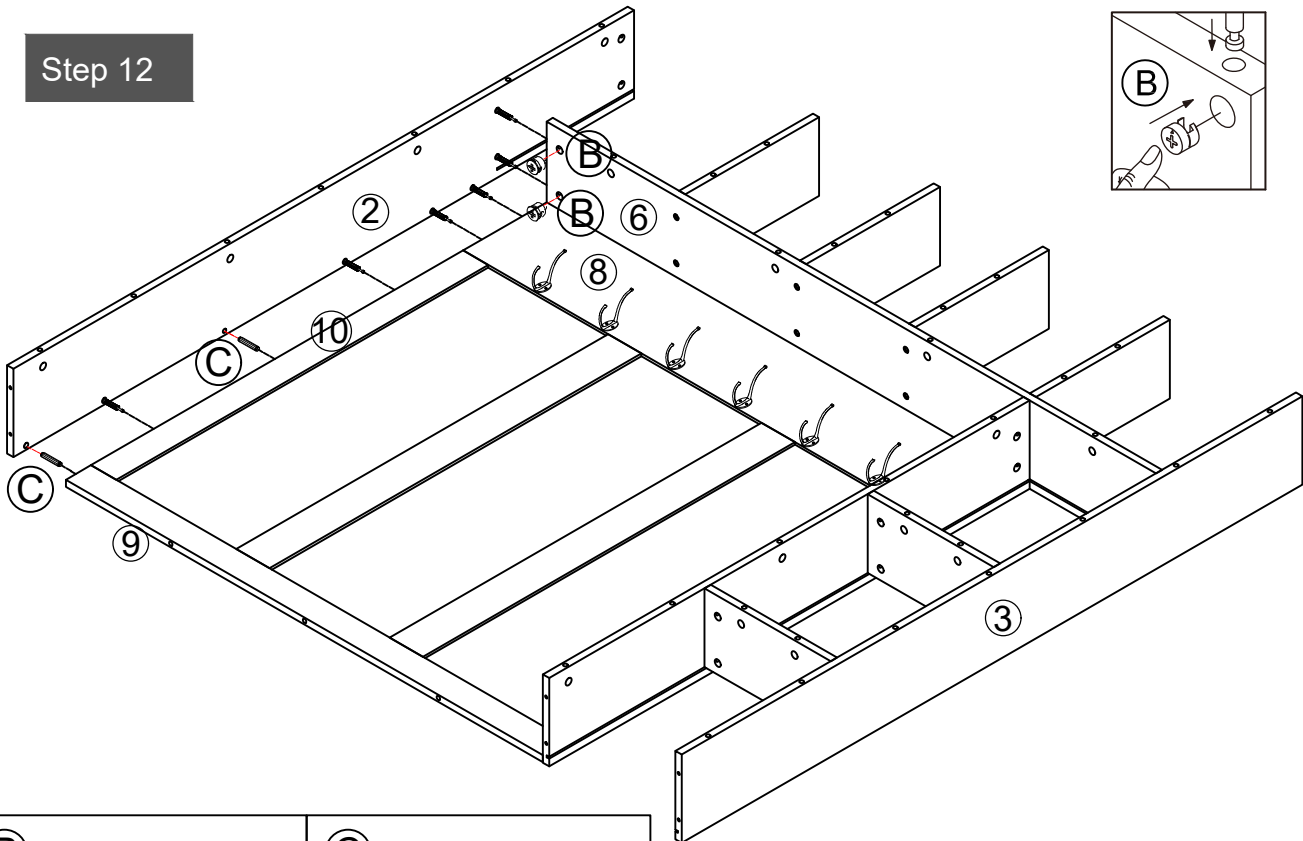
(B)



Cam lock x 6



## Step 12

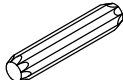


(B)

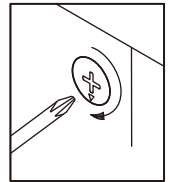
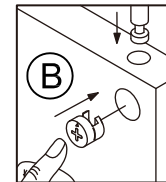


Cam lock x 2

(C)

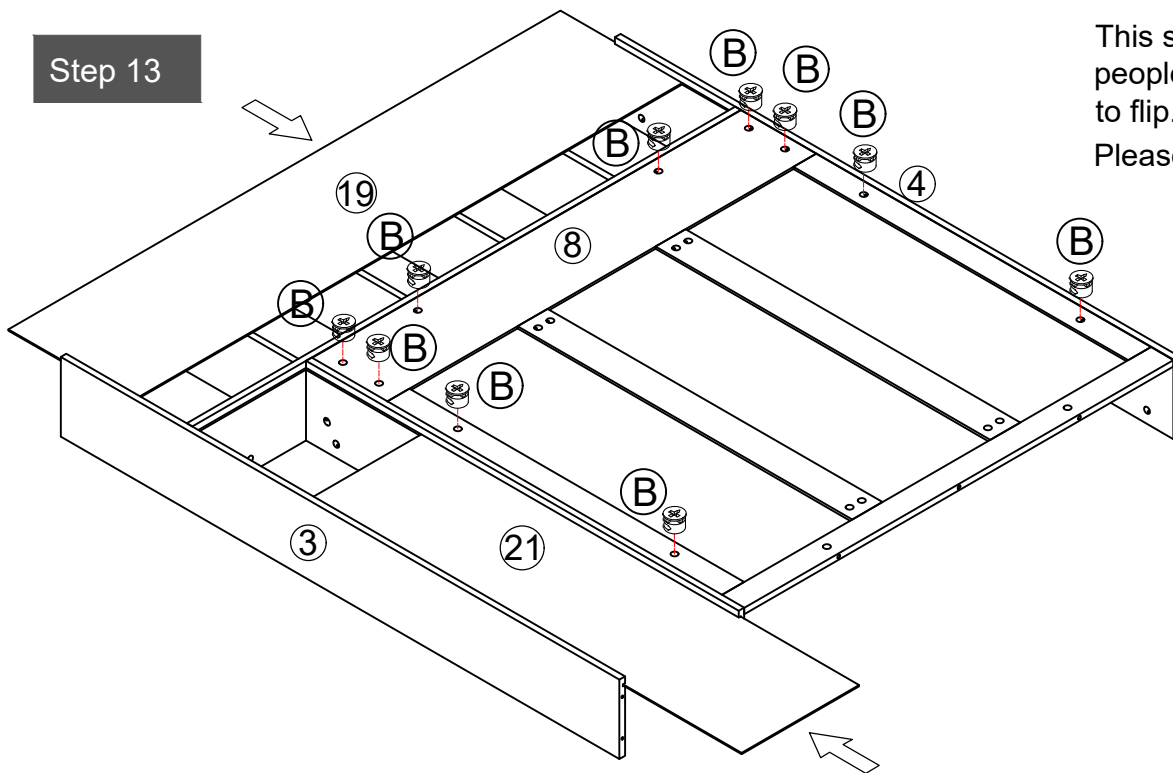


Dowel x 2



# Assembly Instructions

## Step 13

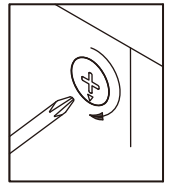
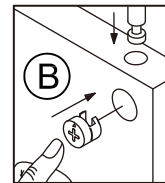


This step requires two people to work together to flip.  
Please flip carefully.

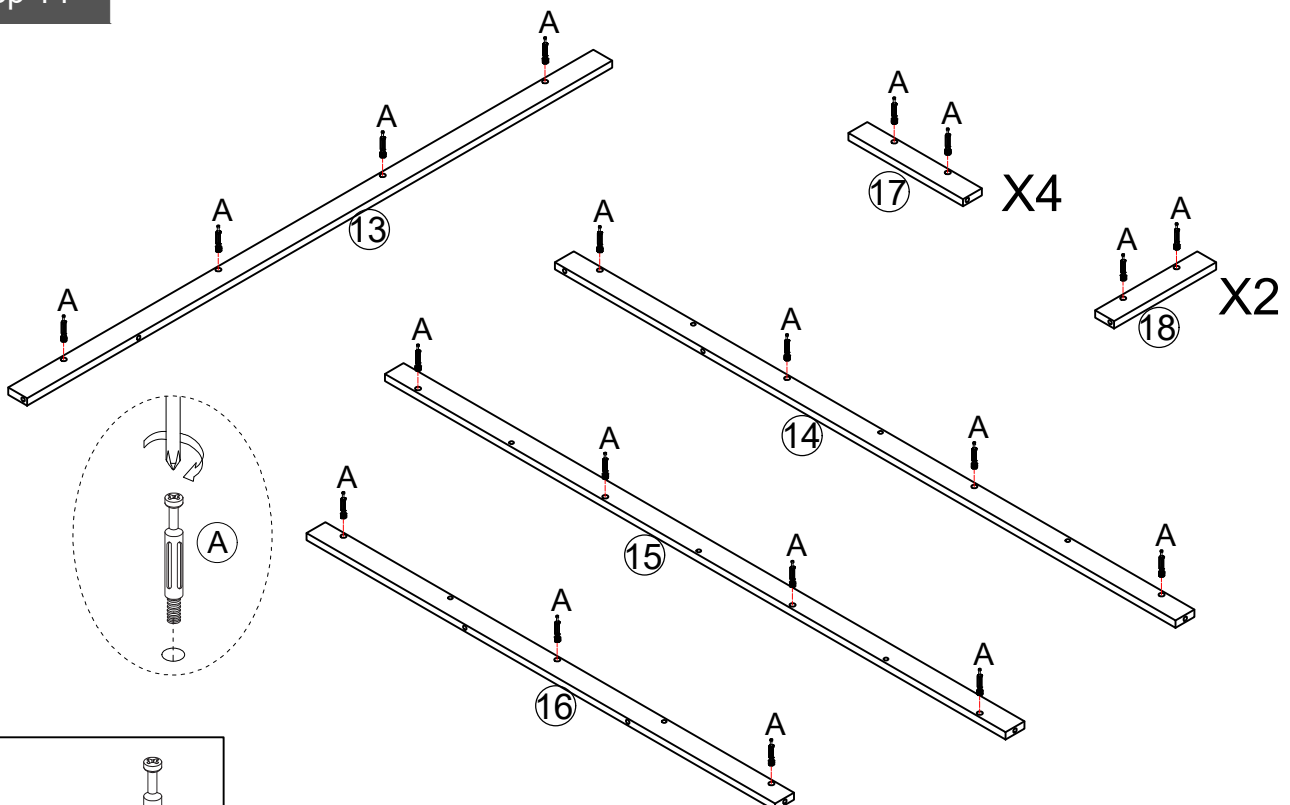
(B)



Cam lock x 10



## Step 14



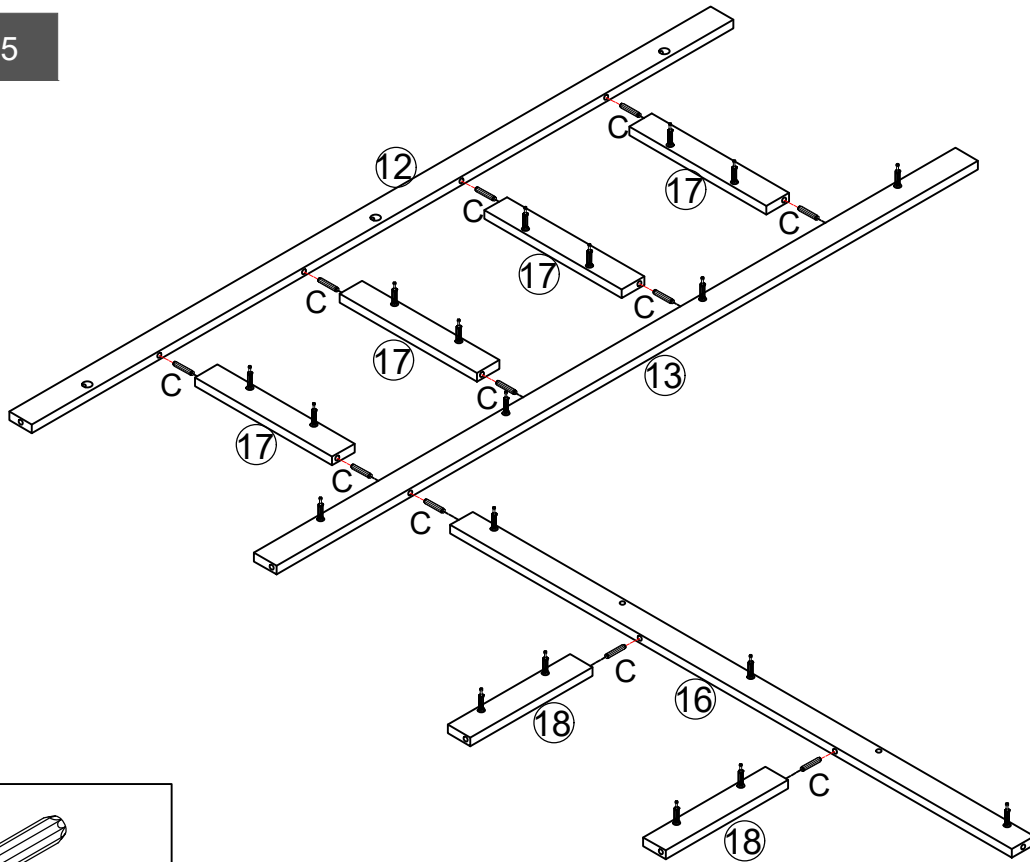
(A)



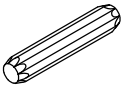
Cam Bolt x 27

# Assembly Instructions

## Step 15

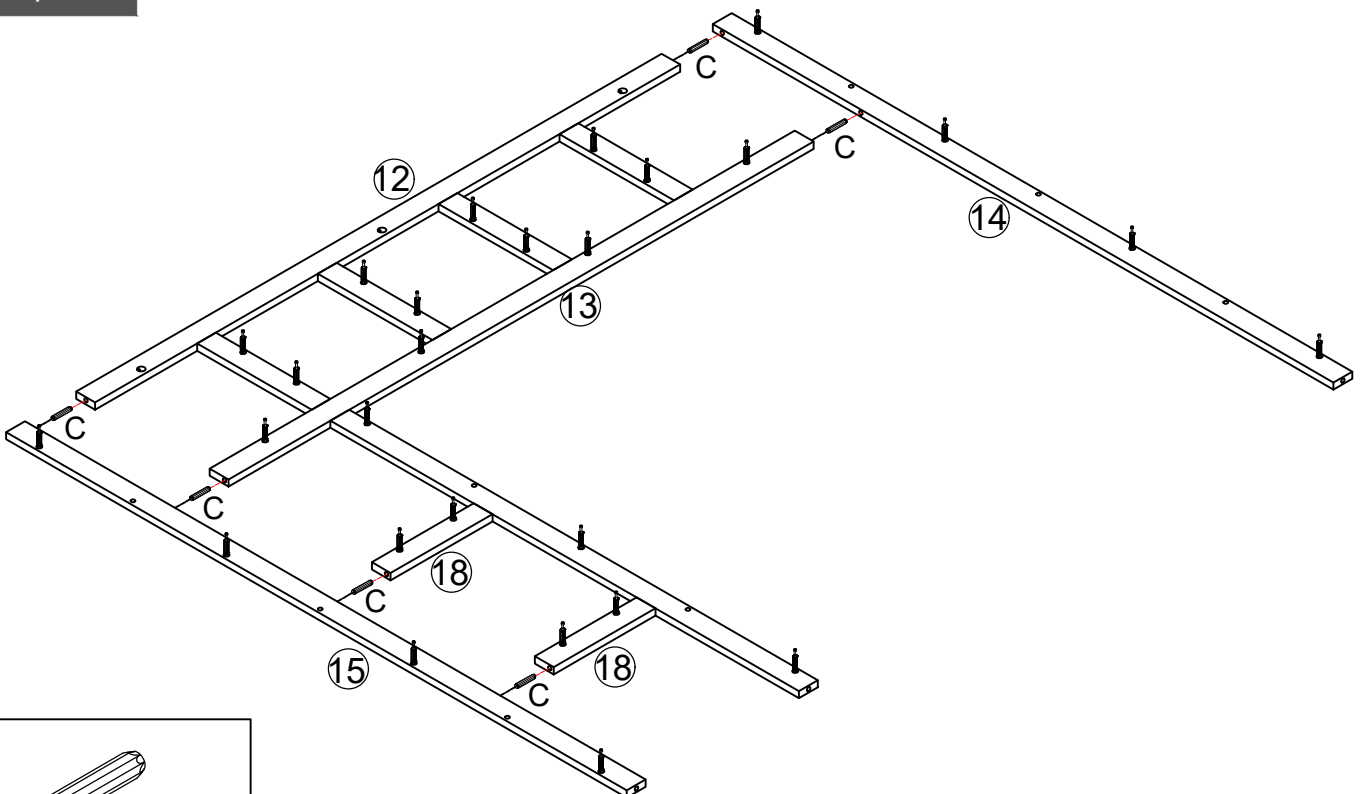


(C)

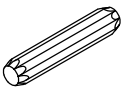


Dowel x 11

## Step 16



(C)

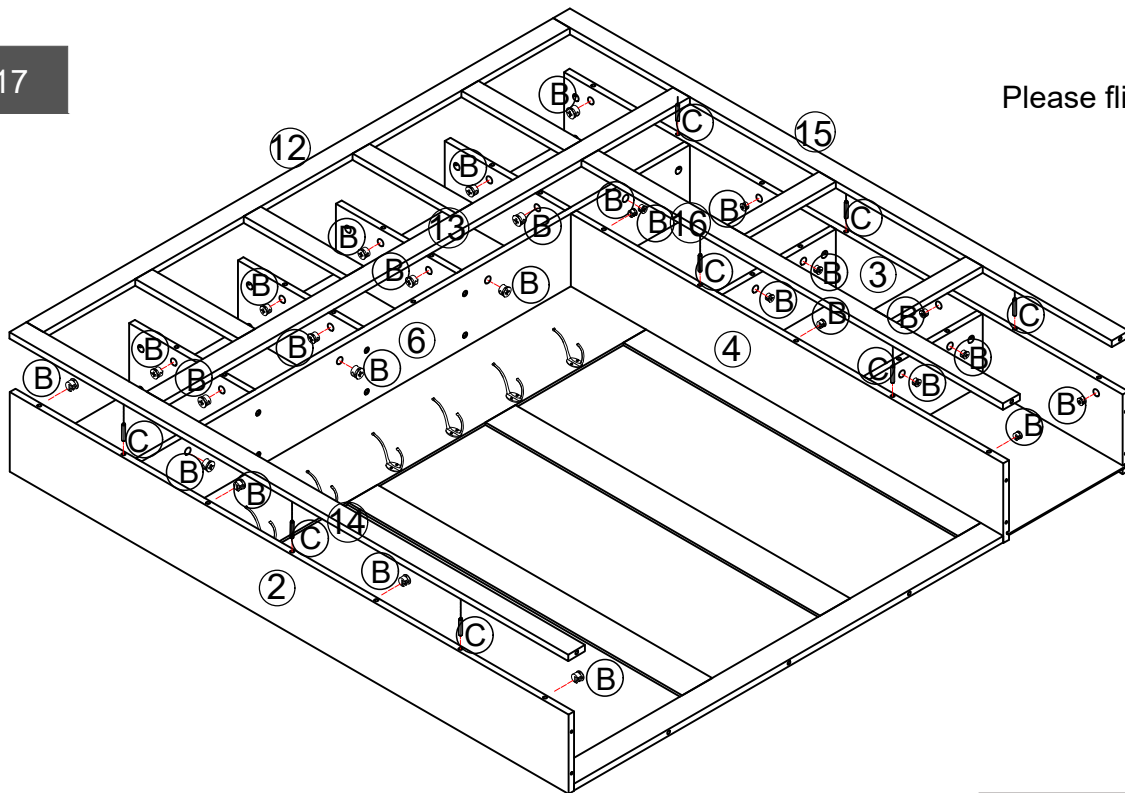


Dowel x 6

# Assembly Instructions

## Step 17

Please flip carefully.

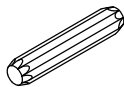


(B)

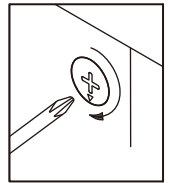
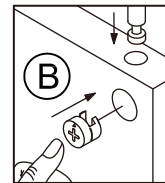


Cam lock x 27

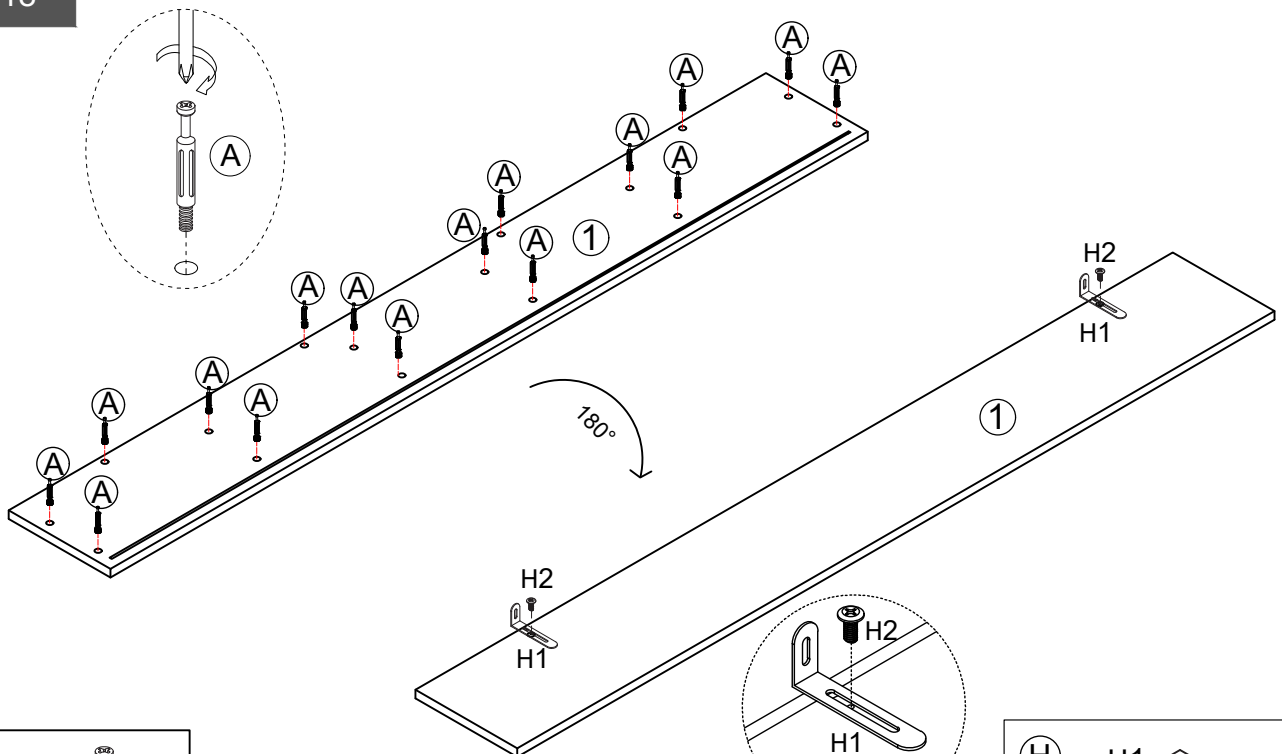
(C)



Dowel x 8



## Step 18

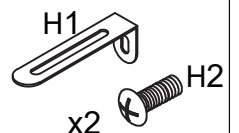


A



Cam Bolt x 16

(H)

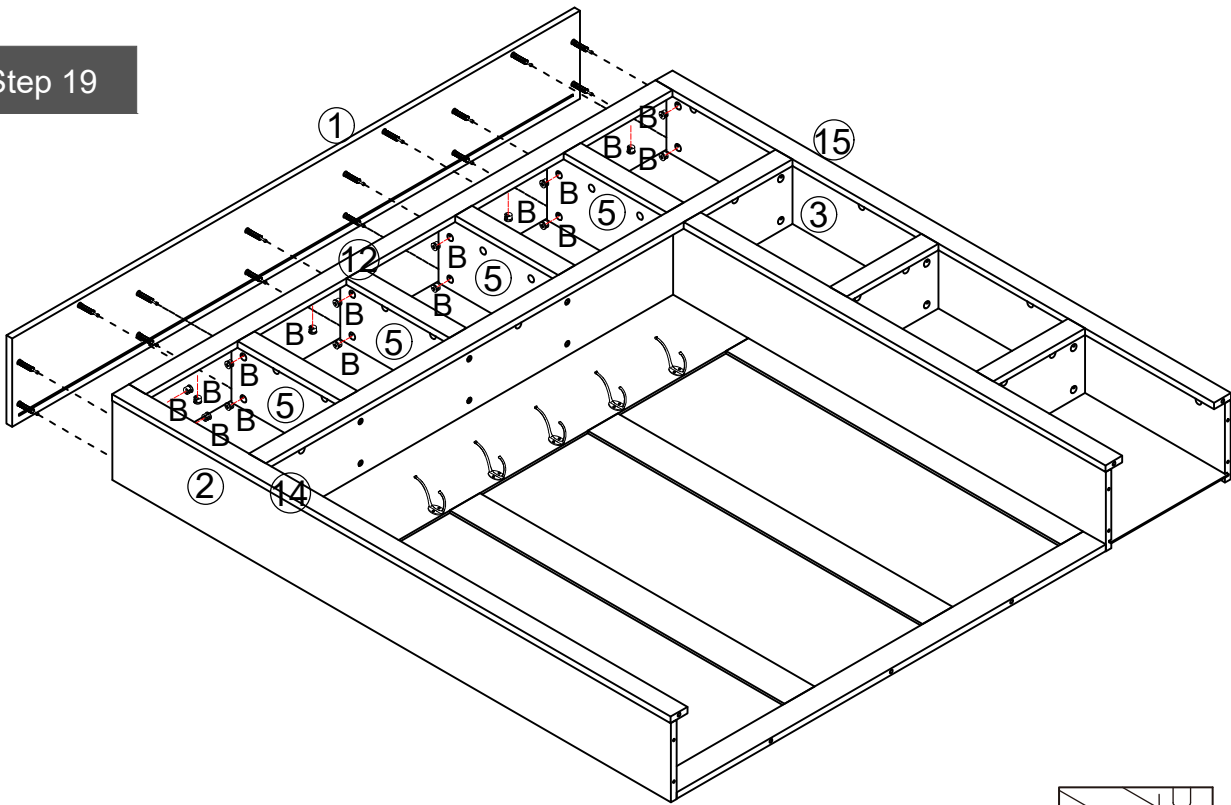


x2

15

# Assembly Instructions

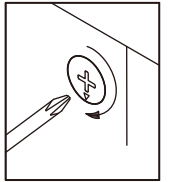
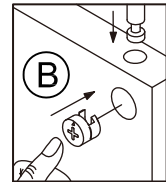
## Step 19



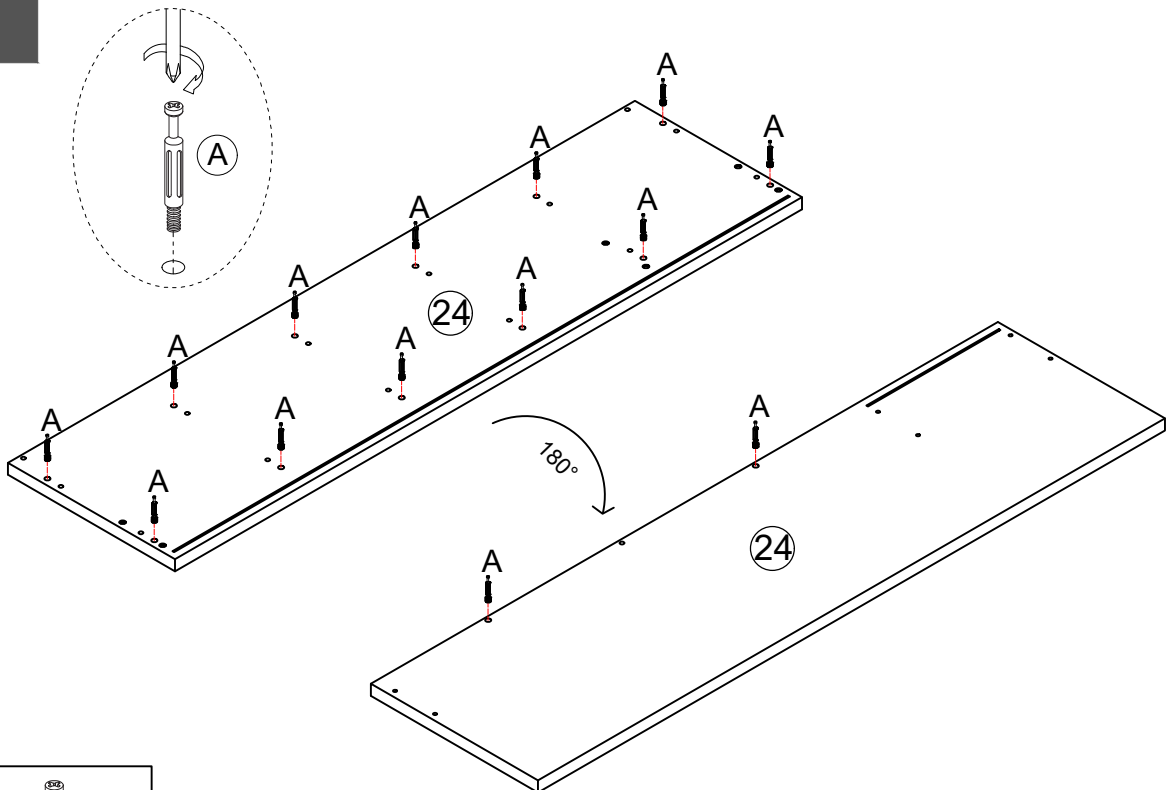
(B)



Cam lock x 16



## Step 20



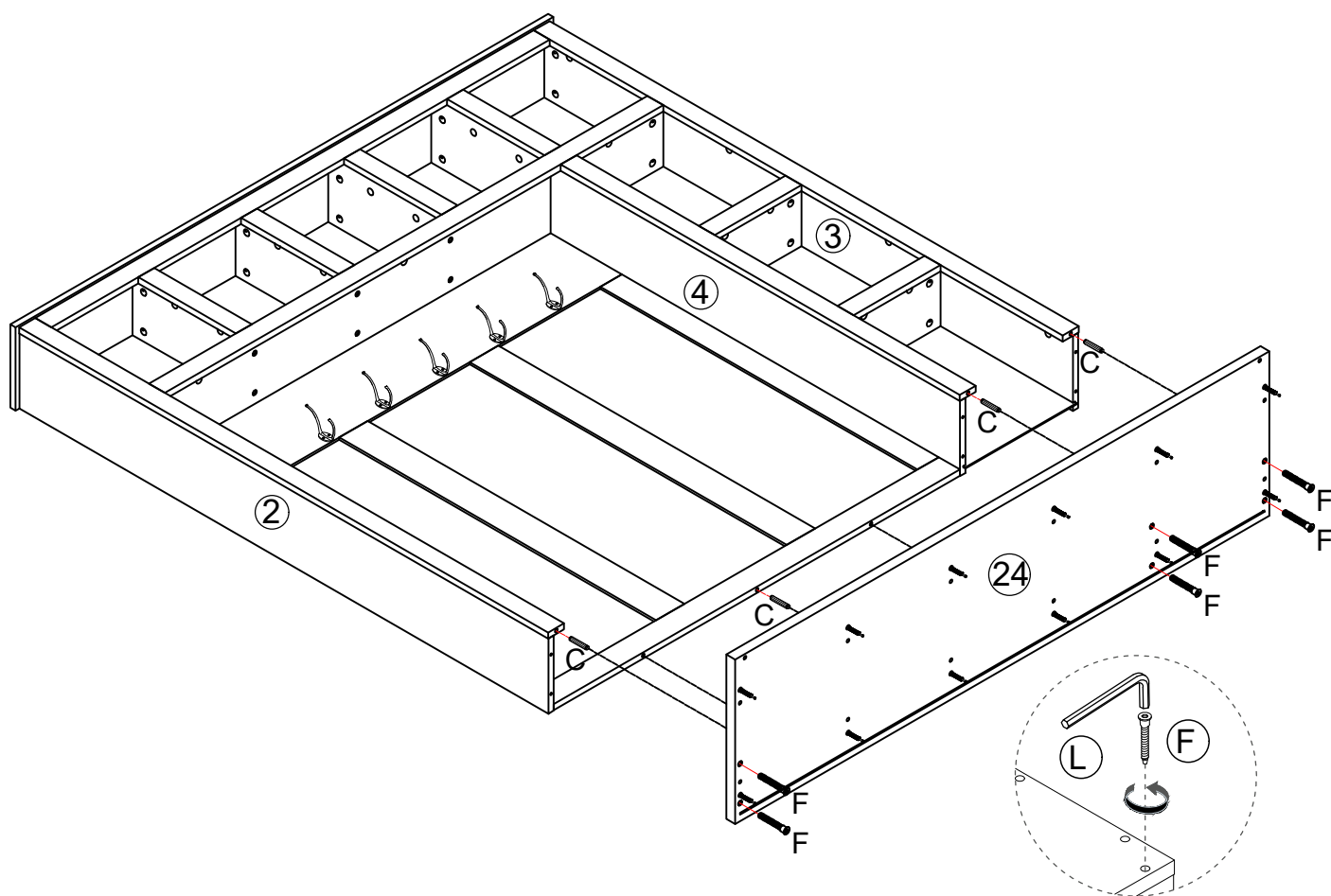
(A)



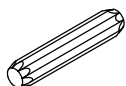
Cam Bolt x 14

# Assembly Instructions

## Step 21



(C)



Dowel x 4

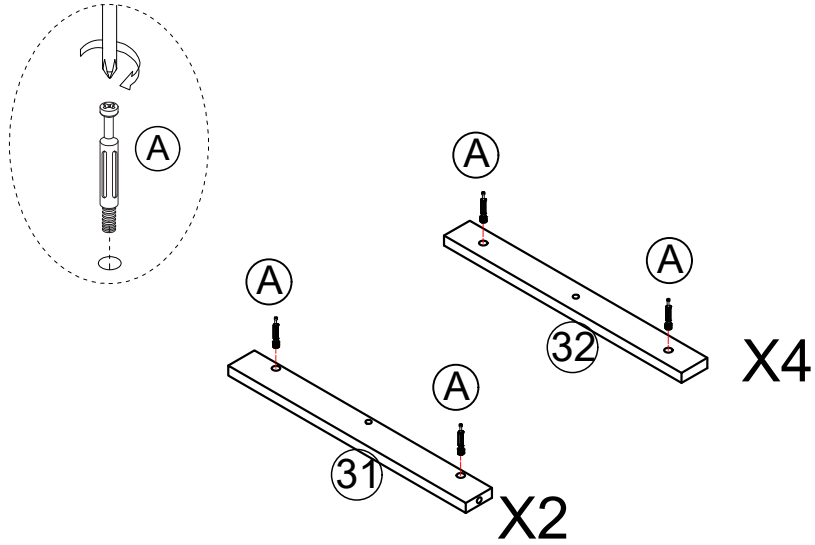
(F)



7\*50mm Screw x 6

# Assembly Instructions

## Step 22

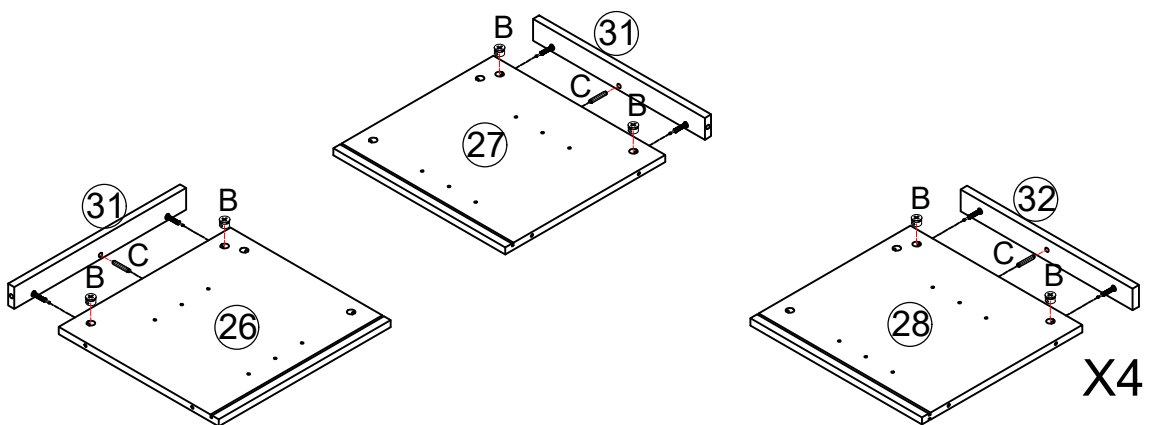


(A)



Cam Bolt x 12

## Step 23

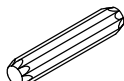


(B)

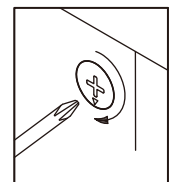
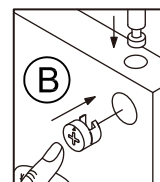


Cam lock x 12

(C)

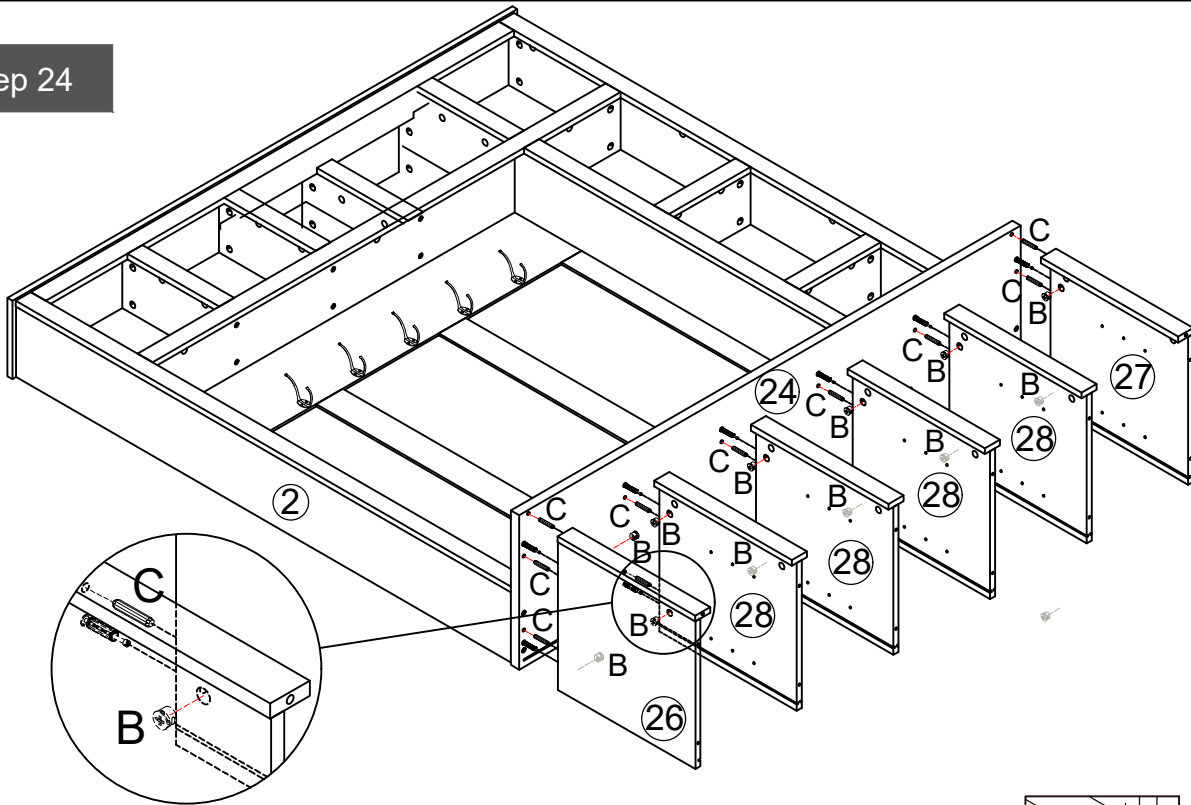


Dowel x 6



# Assembly Instructions

## Step 24

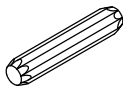


(B)

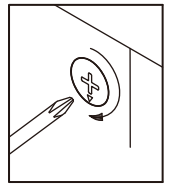
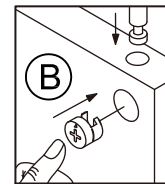


Cam lock x 12

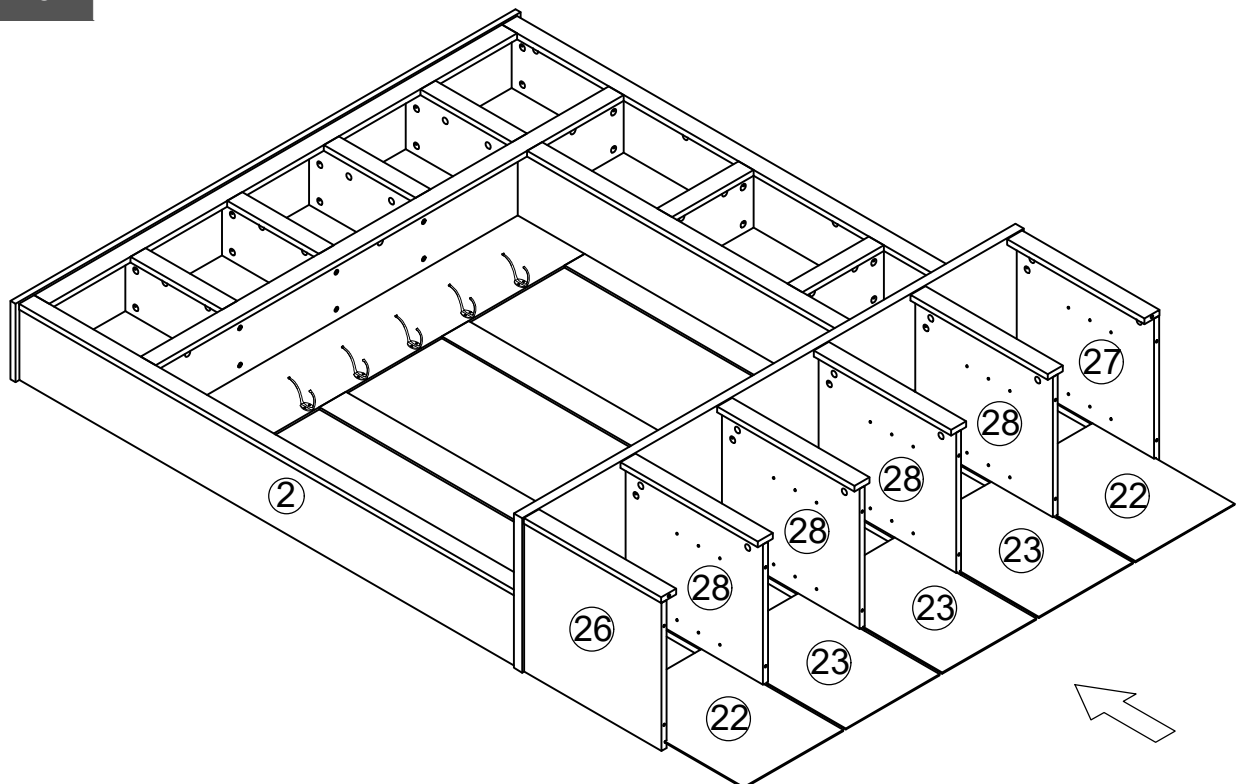
(C)



Dowel x 14

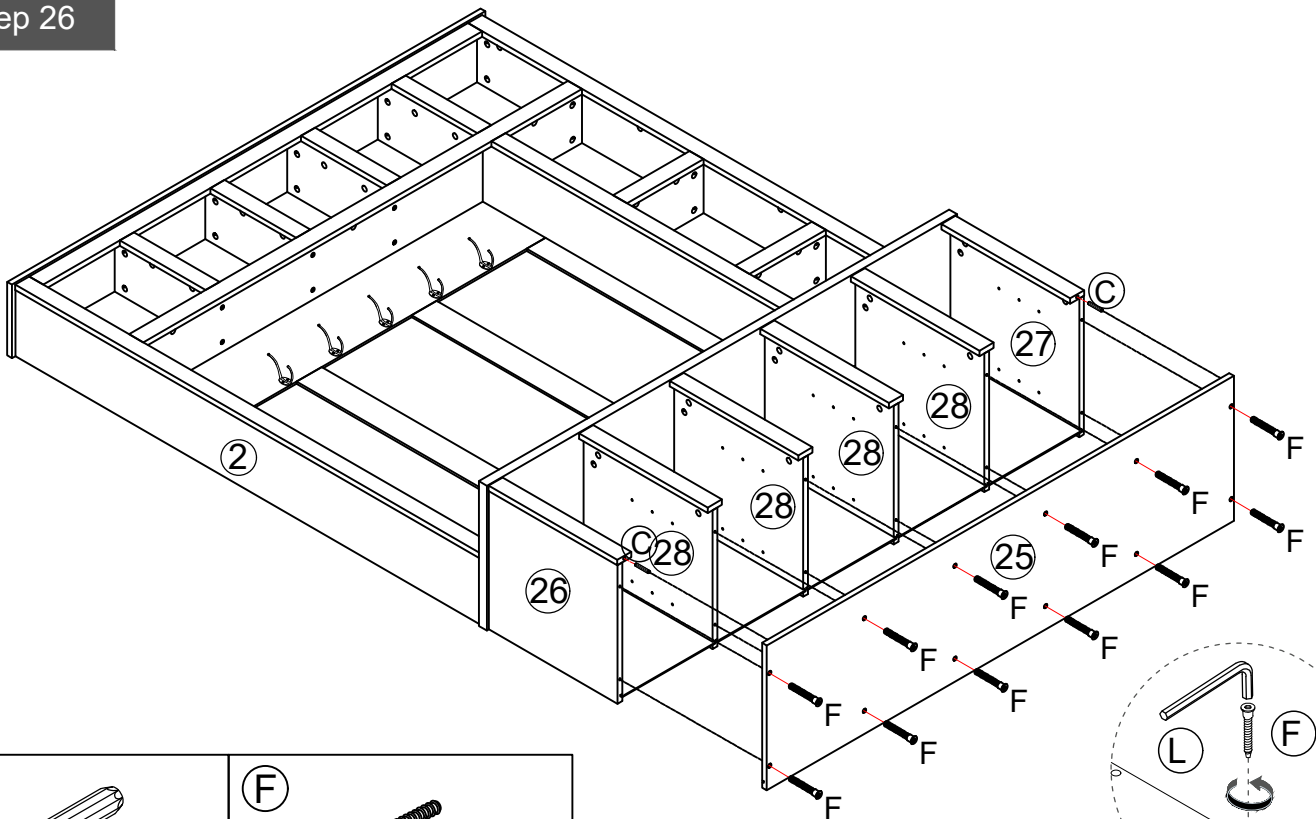


## Step 25

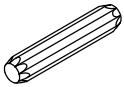


# Assembly Instructions

## Step 26



(C)



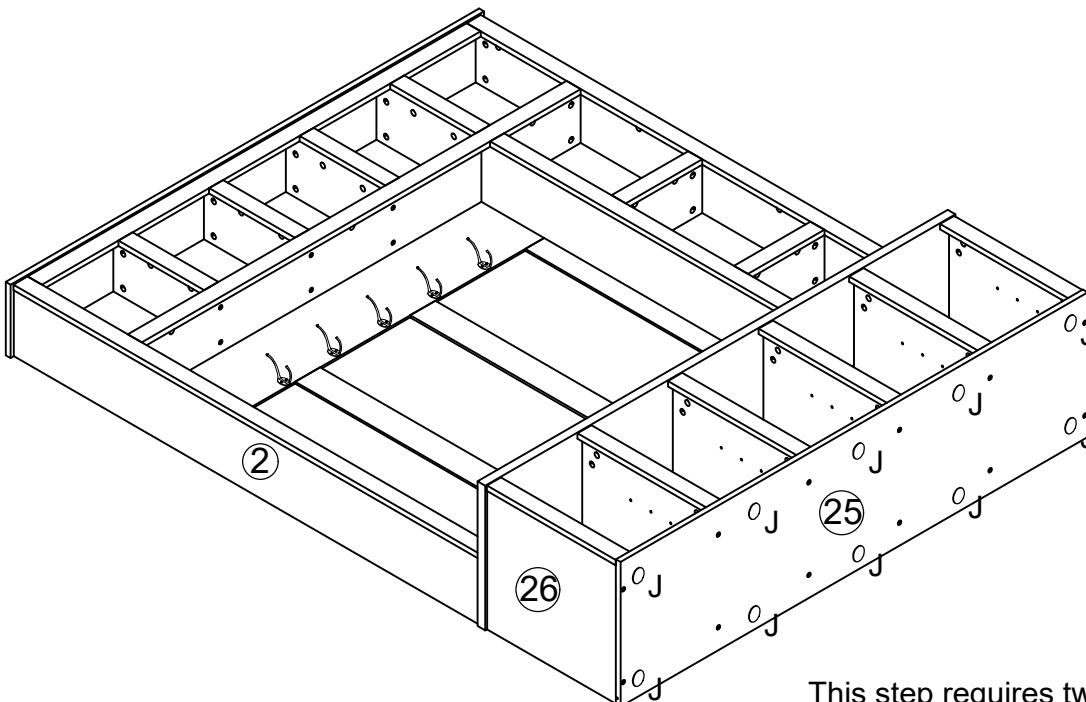
Dowel x 2

(F)



7\*50mm Screw x 12

## Step 27



(J)



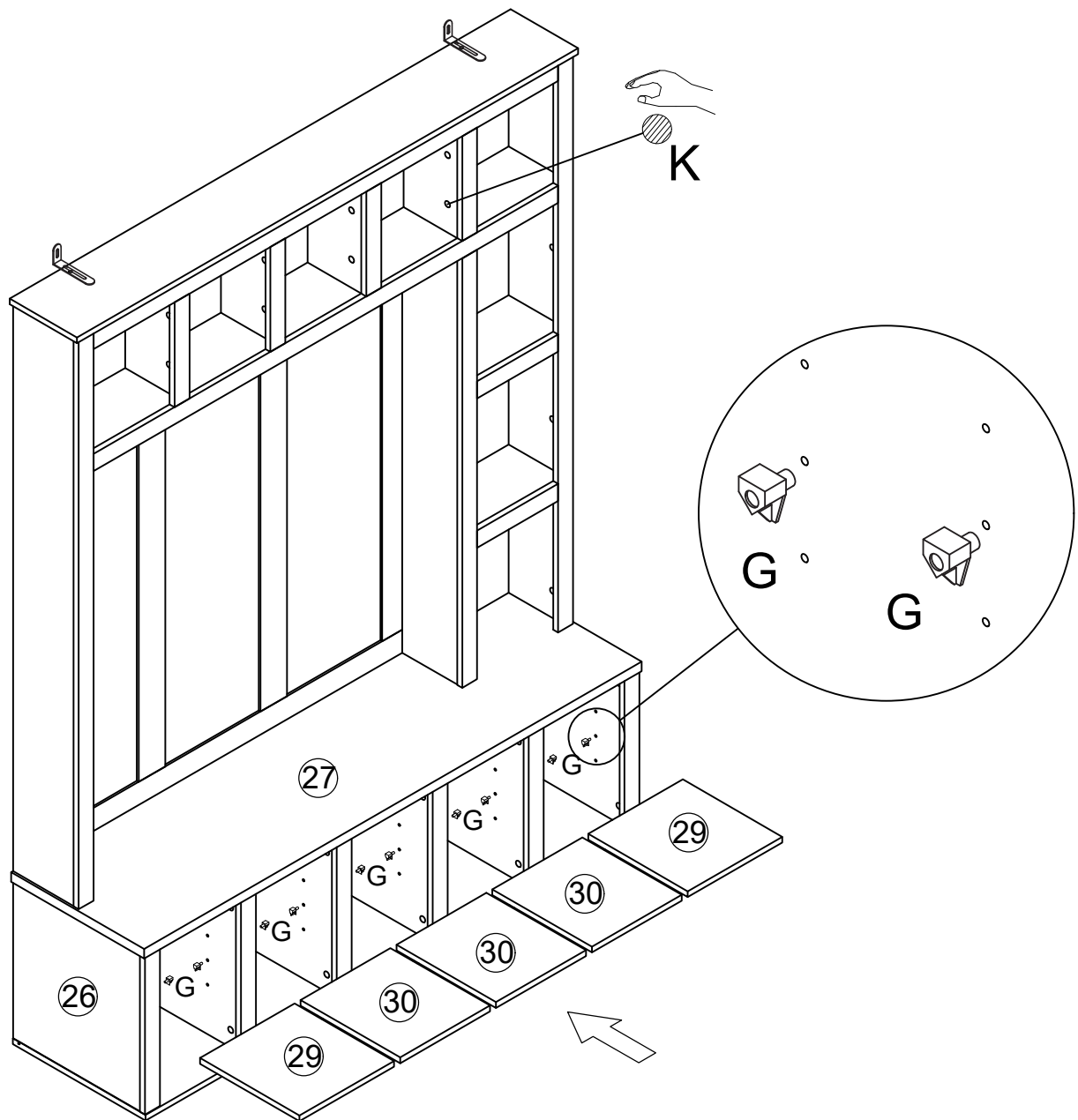
Felt mat X 10

This step requires two people to lift this product up. Please lift carefully.

# Assembly Instructions

## Step 28

In order to make the product more beautiful, please choose to paste L on the exposed holes.



(G)



Movable partition bracket x 20

(K)

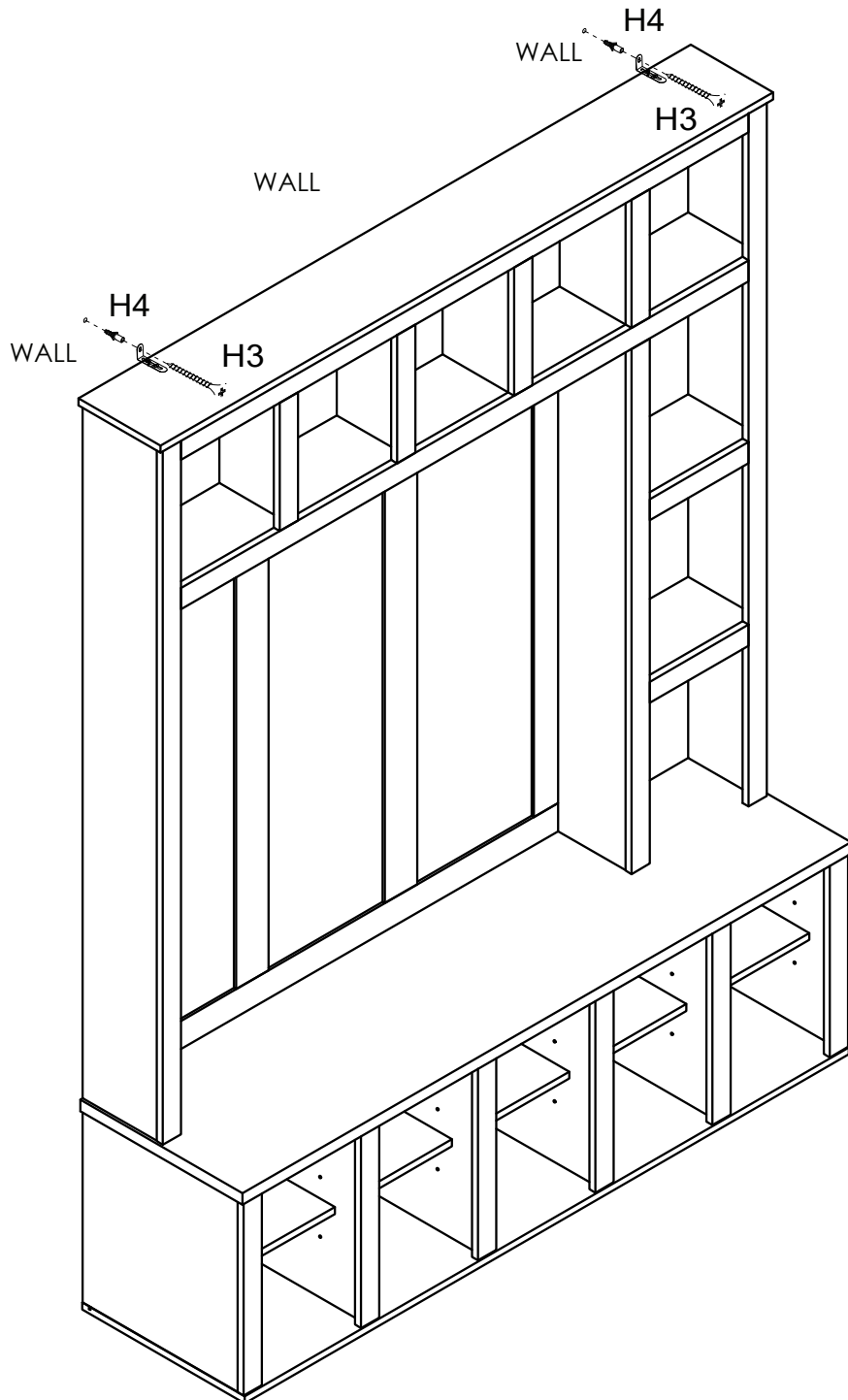
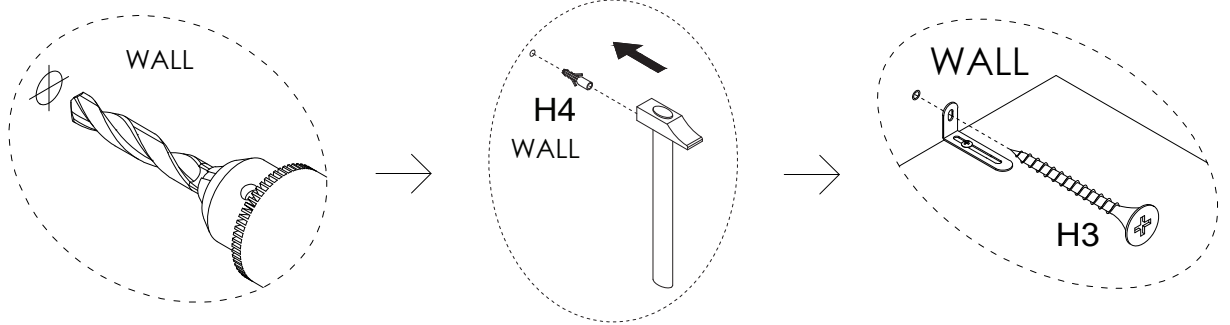


Sticker Cover x 64



# Assembly Instructions

Step 30



(H)



H4 H3

x2

# Assembly Instructions

Step 31

