

CARE AND MAINTENANCE

Spot clean using a mild water-free solvent. Only a professional cleaner should undertake a complete overall cleaning.

The use of steam or water-based cleaners may cause excessive shrinking or staining.

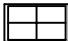

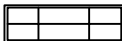


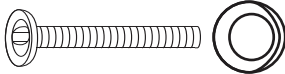
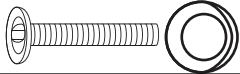


NOTICE

* Please make sure that you have all parts indicated before you begin assembly of this item

* This item should be assembled on a soft surface to prevent scratching the finish during assembly

* This item may require periodic tightening

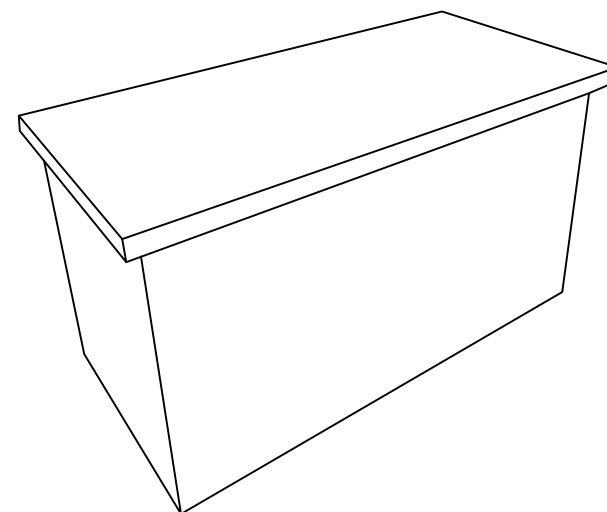
Part List And Hardware List

PIECE	DESCRIPTION	PICTURE	QUANTITY
A	Side Panel		2x
B	Front/Back Panel		2x
C	Box Bottom		1x
D	Box Top		1x
E	Nut		3x
F	Bolt M6*40		21x
G	Bolt M6*20		2x
H	Allen Key		1x
I	Open Panner		1x

 **SAFAVIEH**
O U T D O O R

ITEM NO.: PAT9002A

Product Dimensions: 53"W*20-1/2"D*25"H



PREPARATION

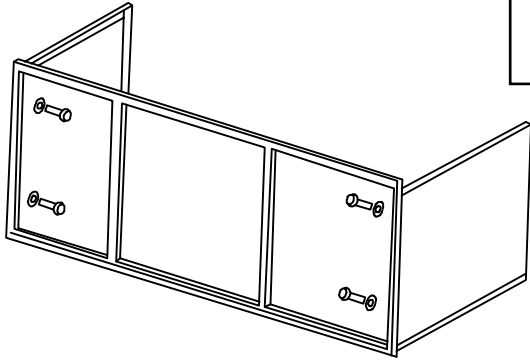
Before beginning assembly of product, make sure all parts are present. Compare parts with package contents list and hardware contents list.

If any part is missing or damaged, do not attempt to assemble the product.

Estimated Assembly Time: 25 minutes.

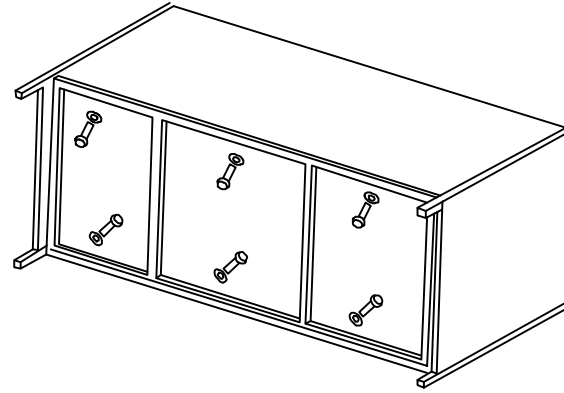
Tools Required for Assembly (included): Allen Key

STEP 1



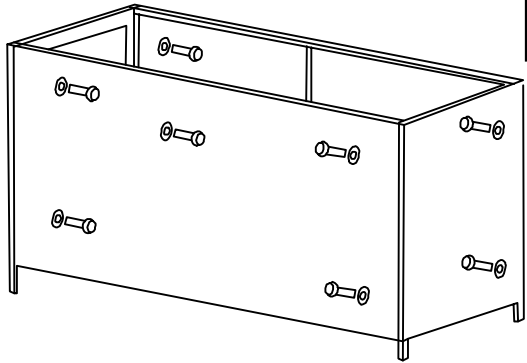
F x 4
A x 2
C x 1

STEP 2



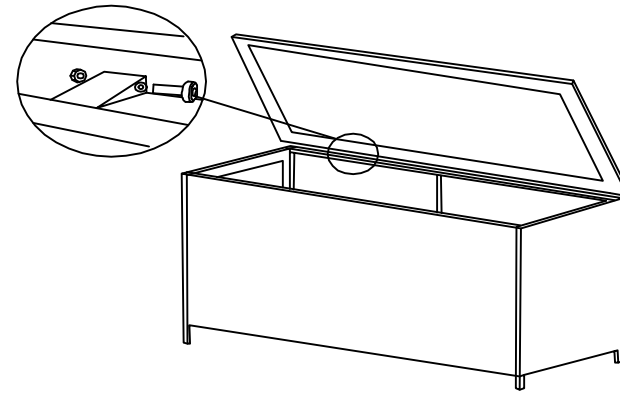
F x 6
B x 2

STEP 3



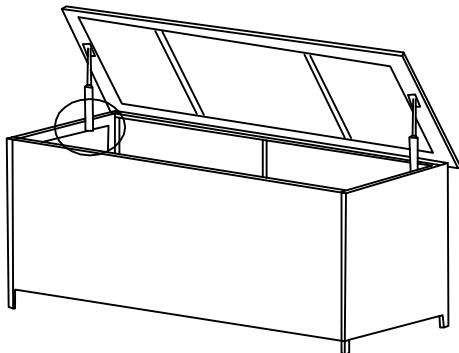
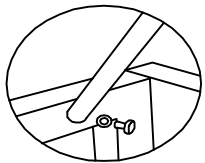
F x 8

STEP 4



F x 3
D x 1
E x 3

STEP 5



G x 2