

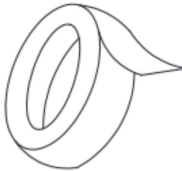




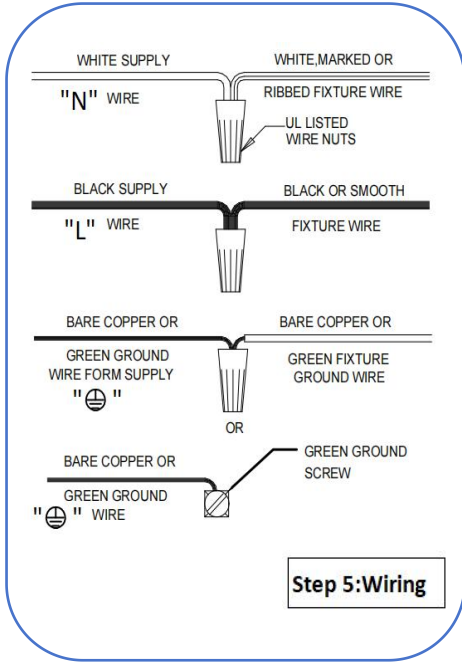
7385D81 ASSEMBLY INSTRUCTIONS





Tools Required: (not included)				
				
Step Ladder	Phillips Head, Flat Blade Screwdrivers	Electrical tape	Wire Cutter/Stripper	Plier

Installation instructions:



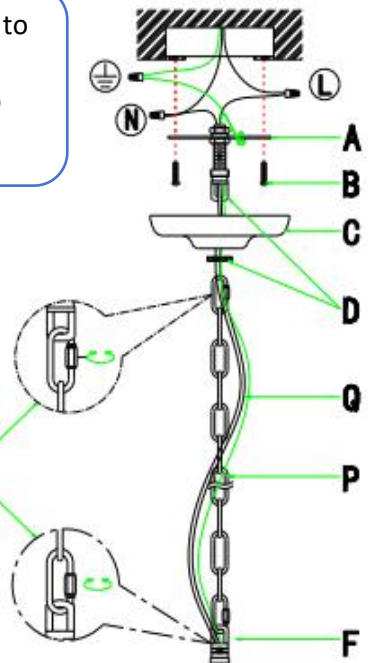
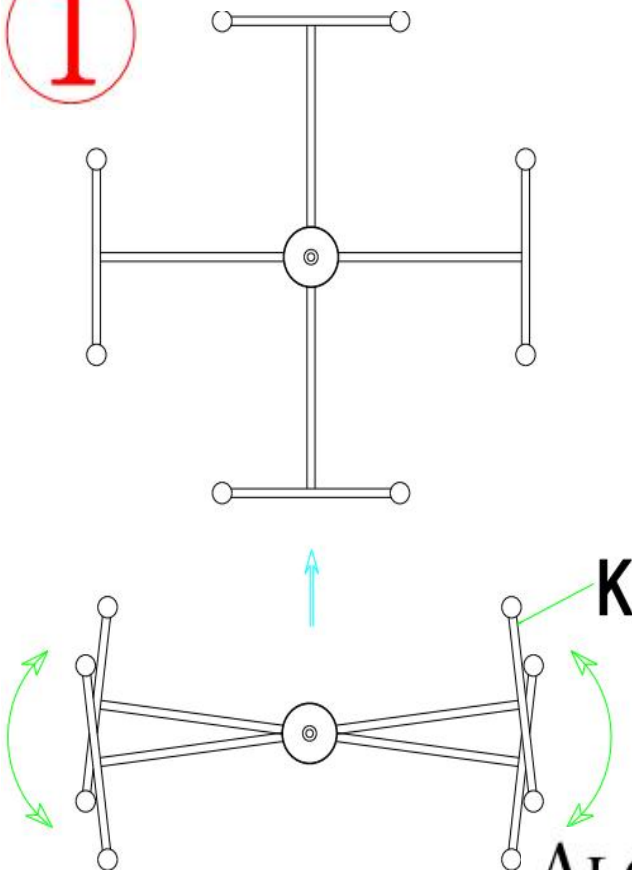
Step 4 .Use screws (B) to fasten the mounting bracket (A) securely to the ceiling outlet box.

Step 6 .Use the screw nut of the hanger(D) secure canopy(C) to the mounting bracket(A).

Step 2 .Screw the straight rod(F) onto the fixture connector (R) and tighten it securely.

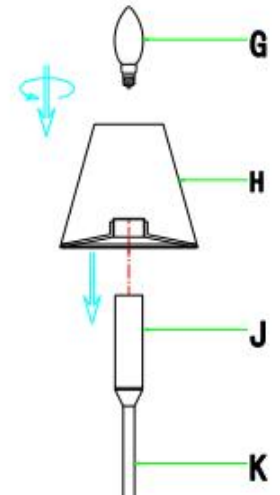
Step 1 .Adjust the curved arms to face the correct left and right directions as shown in the diagram 1.

1



Step 3.Adjustable length of hanging chain. Pass the wire (Q) and ground wire(P) through the hanging chain, canopy (C), hanger(D) , and mounting bracket (A) to the junction box. Hang both ends(E) of the chain onto the two hangers (D/F) respectively, and tighten them.

Bulbs not included



Step 7.Put the shade(M) on the lampholder(J),Install the E12 LED candle bulbs 8pcs (G not included) into the lampholder.Final light on.

Disclaimer&Warranty

Disclaimer:

Thank you for your purchase. Please read carefully and keep these instructions, as you may need them later. We suggest installation by a **licensed electrician**.

Beware of potential electrical shock! Before installing the fixture or removing any other light already present, please turn off the main power at the circuit breaker.

If your product contains glass items, please handle with care, as glass is fragile and can lead to injuries if handled incorrectly.

Please keep in mind that the warnings and instructions present in this document are not meant to cover and prevent all possibilities and situations that could lead to injury or damage. It is the responsibility of the end-user to exercise caution and common sense when handling and installing the product.

1-YEAR LIMITED WARRANTY

The manufacturer warrants this product to be free from defects in materials and workmanship for one (1) year from the date of purchase. This warranty is valid only for the original consumer purchaser and covers the product under normal use and conditions. If the product is found to be defective, the manufacturer's sole obligation and your exclusive remedy is to repair or replace the product at the manufacturer's discretion, provided it has not been damaged by misuse, abuse, accident, alteration, modification, negligence, or mishandling.

This warranty does not cover labor or any costs associated with the removal or installation of defective, repaired, or replaced products. The warranty excludes damages resulting from misuse, mishandling, misapplication, negligence (including improper maintenance), accidents, incorrect installation, modifications (including unauthorized parts or accessories), or adjustments and repairs.

If you experience damage or missing accessories during the warranty period, please contact our customer service team at Service@aloadecor.com with your original order number, the quantity of required accessories, and your current shipping address. We will arrange for the free replacement parts as needed.

Need to contact us?

Please send an email at:
service@aloadecor.com

Need more information?

Please visit our website:
www.aloadecor.com