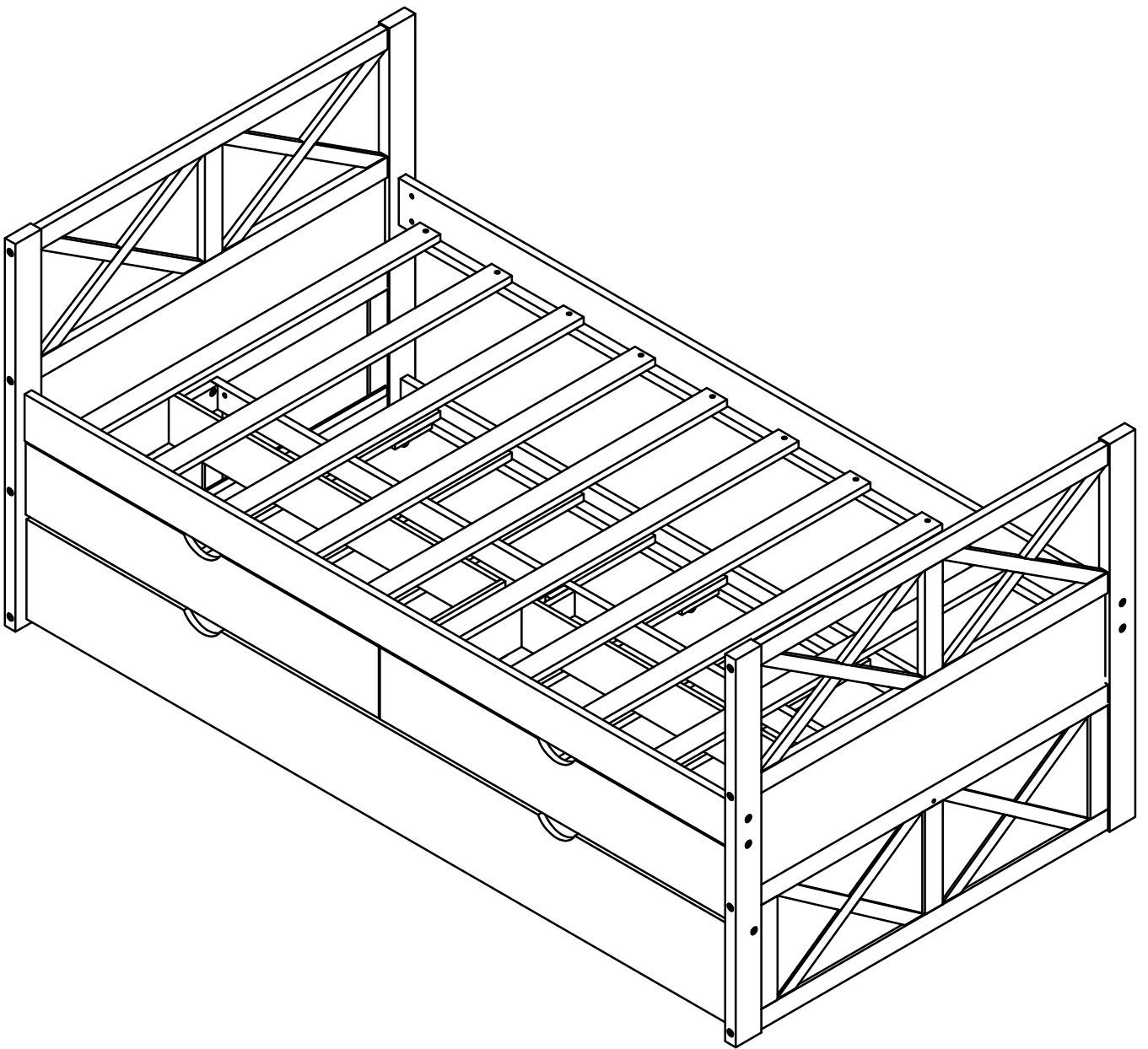


ASSEMBLY INSTRUCTION

SKU CODE: (WF198240-WF198241)

This set is included 2 boxes if don't receive full 2 boxes please contact our customer service team

If you have any questions, please feel free to contact us.
Email: lowes.team@qualfurn.net



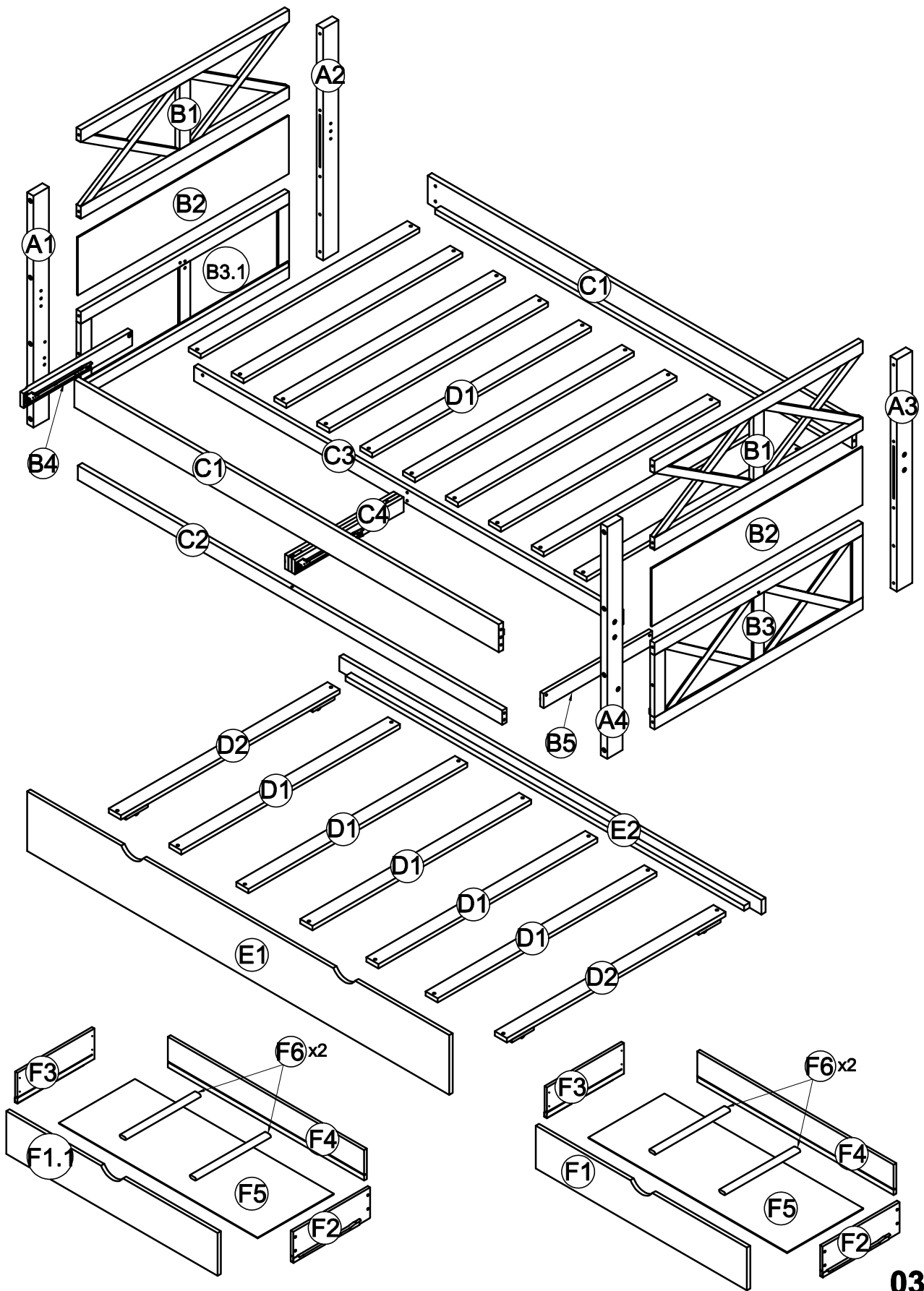
! SAFETY WARNINGS !

1. This bed is designed for use only mattress(es) meeting the following specifications on the upper bunk, and lower bunk:

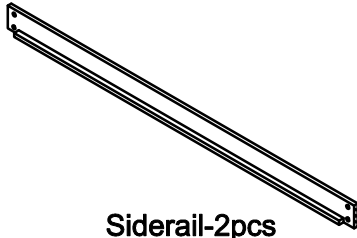
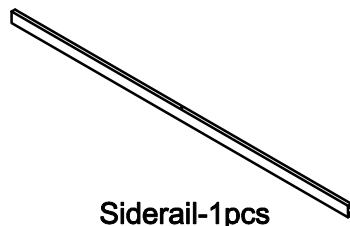
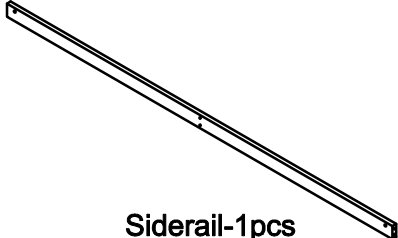
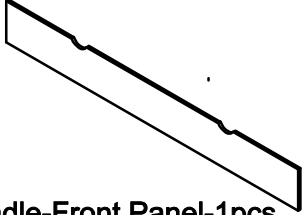
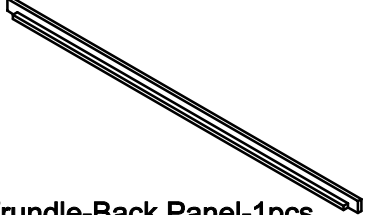
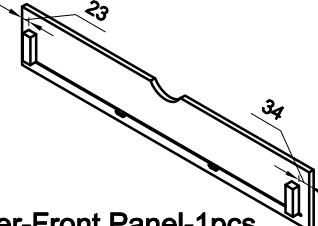
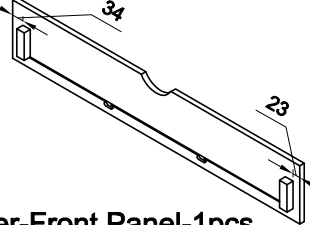
Bed Type	Length	Width	Thickness
<i>Twin Standard</i>	<i>74" - 75"</i>	<i>38 1/2"</i>	<i>8" max</i>

2. Replacement parts, including additional guardrails, may be obtained from any of our (GIGACLOUD TECHNOLOGY(USA) INC) dealers
3. Follow the information on the warnings appearing on the upper bunk bed end structure and on the carton. Do not remove warning label from bed.
4. Always use the recommended size mattresses or mattress supports, or both, to help prevent the likelihood of entrapment or falls.
5. Periodically check and ensure that the guardrail, ladder, and other components are in their proper position, free from damage, and that all connectors are tight.
6. Do not allow horseplay on or under the bed and prohibit jumping on the bed
7. Do not use substitute parts. Contact the manufacturer or dealer for replacement parts.
8. The use of water or sleep flotation mattresses is prohibited.
9. STRANGULATION HAZARD – Never attach or hang items to any part of the bunk bed that are not designed for use with the bed; for example, but not limited to, hook, belts and jump ropes.
10. Keep these instructions for future reference





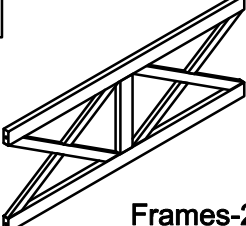
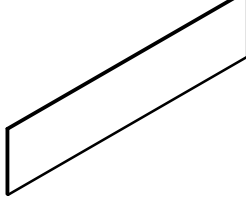
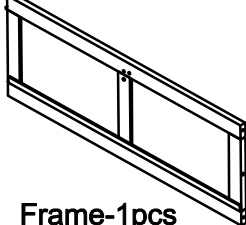
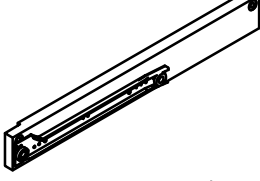
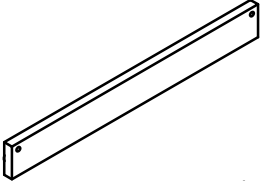
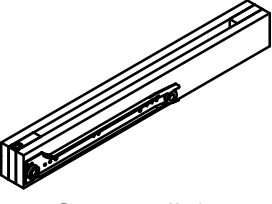
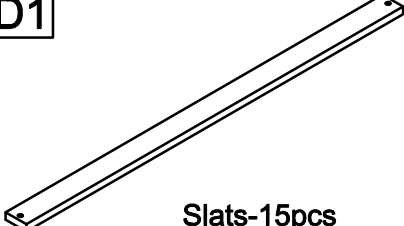
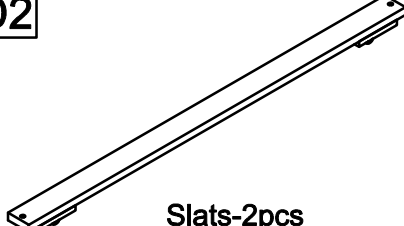
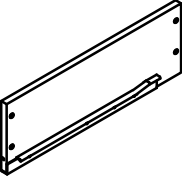
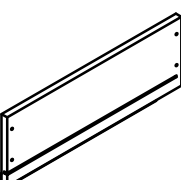
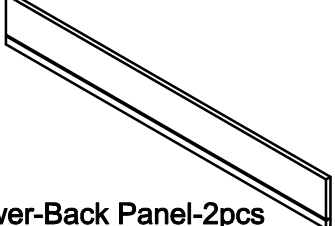
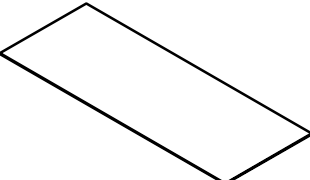
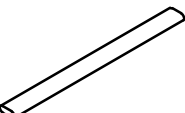
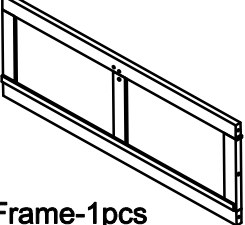
ASSEMBLY INSTRUCTION



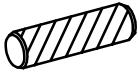
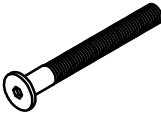
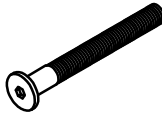


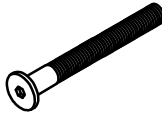
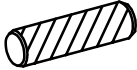


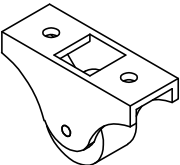

Part List (Box 1-WF198240)

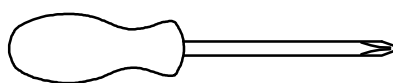
C1  Siderail-2pcs	C2  Siderail-1pcs	C3  Siderail-1pcs
E1  Trundle-Front Panel-1pcs	E2  Trundle-Back Panel-1pcs	F1  Drawer-Front Panel-1pcs
F1.1  Drawer-Front Panel-1pcs		

Part List & Hardware List (Box 2-WF198241)

<p>A1</p>  <p>Leg(Front-left)-1pcs</p>	<p>A2</p>  <p>Leg(Back-left)-1pcs</p>	<p>A3</p>  <p>Leg(Back-Right)-1pcs</p>
<p>A4</p>  <p>Leg(Front-Right)-1pcs</p>	<p>B1</p>  <p>Frames-2pcs</p>	<p>B2</p>  <p>Panels-2pcs</p>
<p>B3</p>  <p>Frame-1pcs</p>	<p>B4</p>  <p>Woodbar-1pcs</p>	<p>B5</p>  <p>Woodbar-1pcs</p>
<p>C4</p>  <p>Centerrail-1pcs</p>	<p>D1</p>  <p>Slats-15pcs</p>	<p>D2</p>  <p>Slats-2pcs</p>
<p>F2</p>  <p>Drawer-Side Panel-2pcs</p>	<p>F3</p>  <p>Drawer-Side Panel-2pcs</p>	<p>F4</p>  <p>Drawer-Back Panel-2pcs</p>
<p>F5</p>  <p>Drawer-Bottom Panel-2pcs</p>	<p>F6</p>  <p>Drawer-Support Bottom Panel 4pcs</p>	<p>B3.1</p>  <p>Frame-1pcs</p>

Hardware List

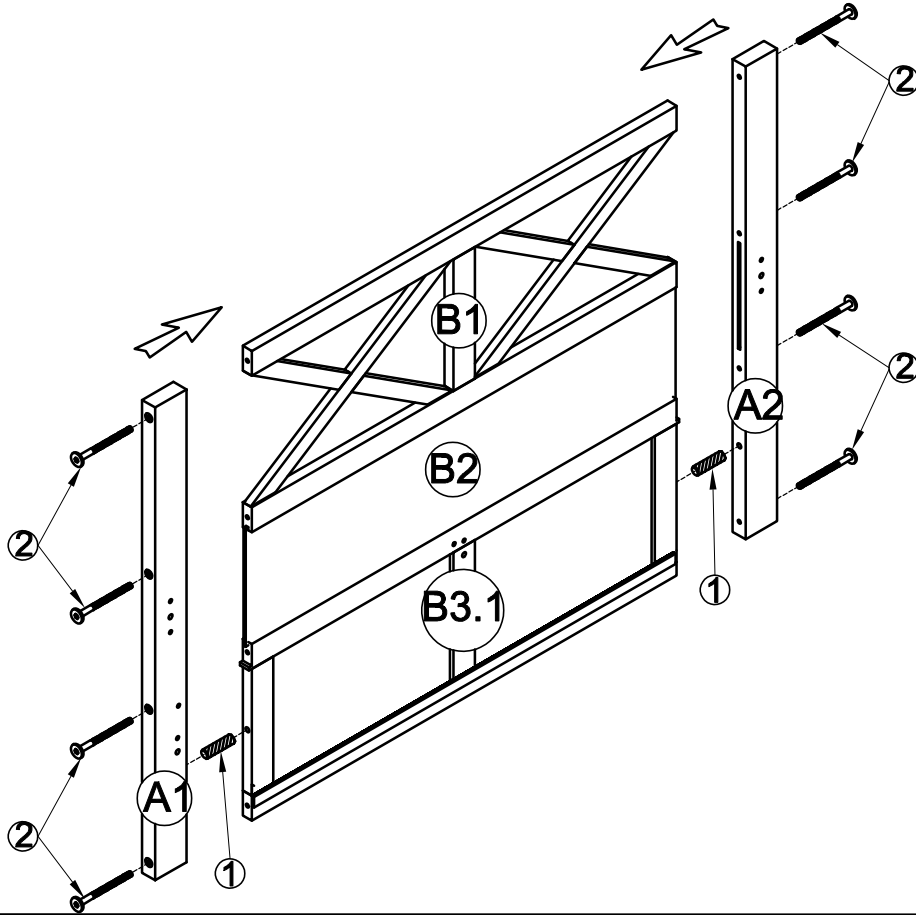
<p>1</p>  <p>Ø10 x 40 mm Wood dowel 12pcs</p>	<p>2</p>  <p>Ø1/4" x 80 mm Hex-Head bolts 16pcs</p>	<p>3</p>  <p>Ø1/4" x 30 mm Hex-Head bolts 5pcs</p>
<p>4</p>  <p>Ø1/4" x 13 mm Horizontal-Hole bolts 12pcs</p>	<p>5</p>  <p>Allen Key 1pc</p>	<p>6</p>  <p>Ø1/4" x 70 mm Hex-Head bolts 13pcs</p>
<p>7</p>  <p>Ø8 x 30 mm Wood dowel 1pcs</p>	<p>8</p>  <p>M4 x 30 mm Wood Screws 54pcs</p>	<p>9</p>  <p>M4 x 15 mm Wood Screws 20pcs</p>
<p>10</p>  <p>Wheels 4pcs</p>	<p>11</p>  <p>3pcs</p>	


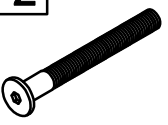


Assembly Tools Required (Not Included)

STEP 1-1: Following below illustration Assembly Headboard. Using hardware #2 and Dowel #1

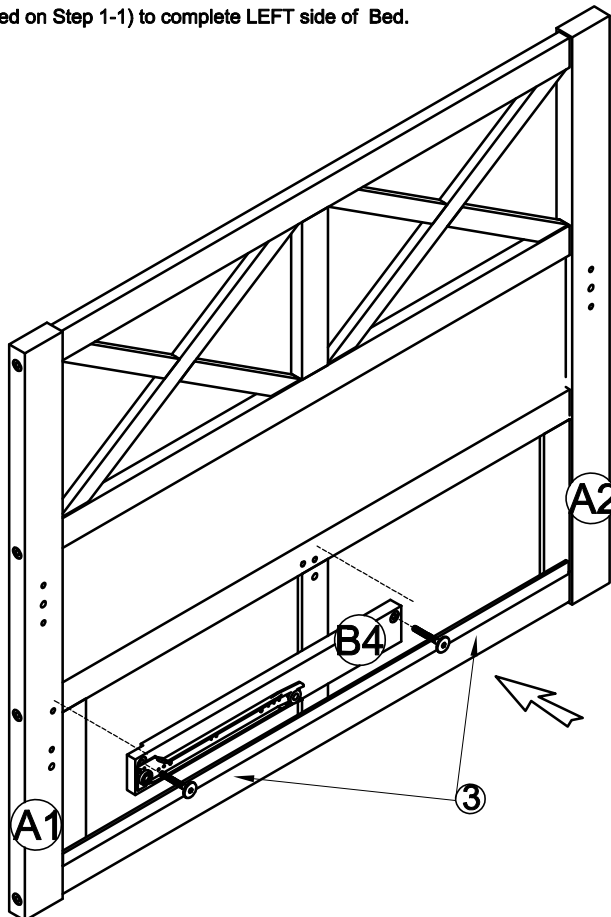
connect A1 and A2 legs with B1 Frame, B2 Panel, B3.1 Frame.

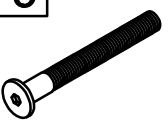


1	
	2pcs
2	
	8pcs

STEP 1-2: Following below illustration Assembly Headboard . Using hardware #3

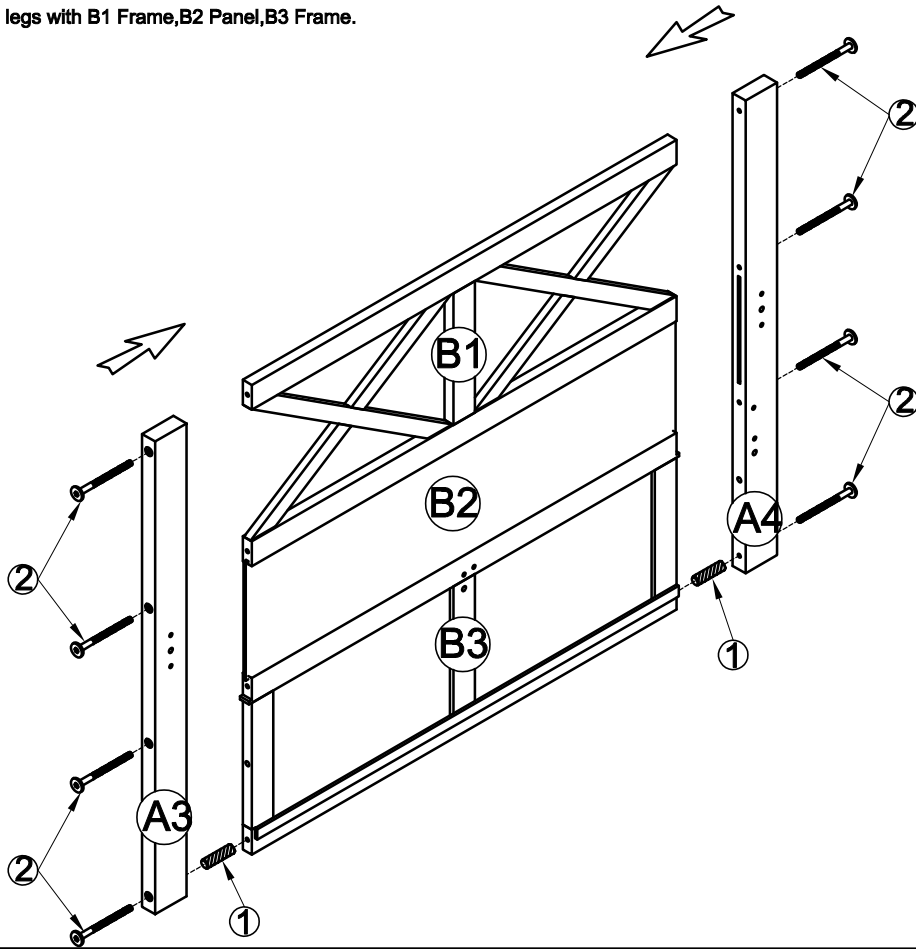
connect B4 Woodbar with Frame(completed on Step 1-1) to complete LEFT side of Bed.


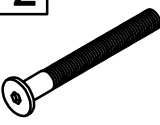


3	
	2pcs

STEP 2-1: Following below illustration Assembly Footboard. Using hardware #2 and Dowel #1

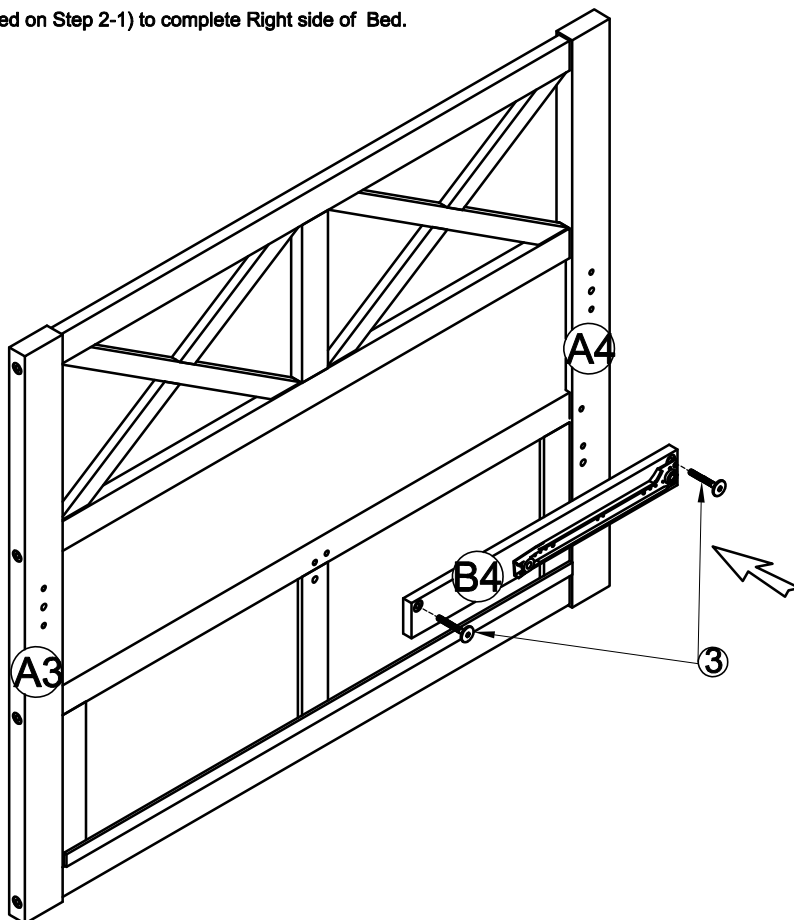
connect A3 and A4 legs with B1 Frame, B2 Panel, B3 Frame.

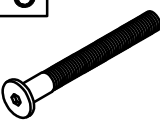


1	
	2pcs
2	
	8pcs


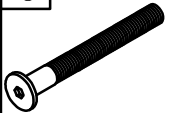

STEP 2-2: Following below illustration Assembly Footboard . Using hardware #3

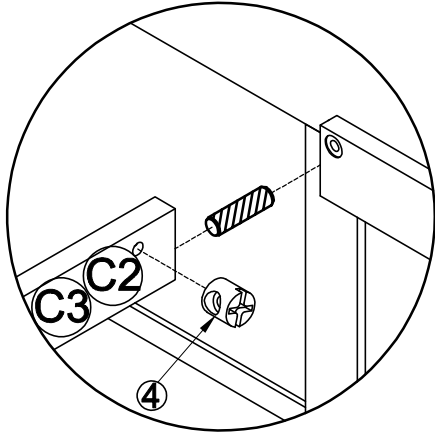
connect B5 Woodbar with Frame(completed on Step 2-1) to complete Right side of Bed.



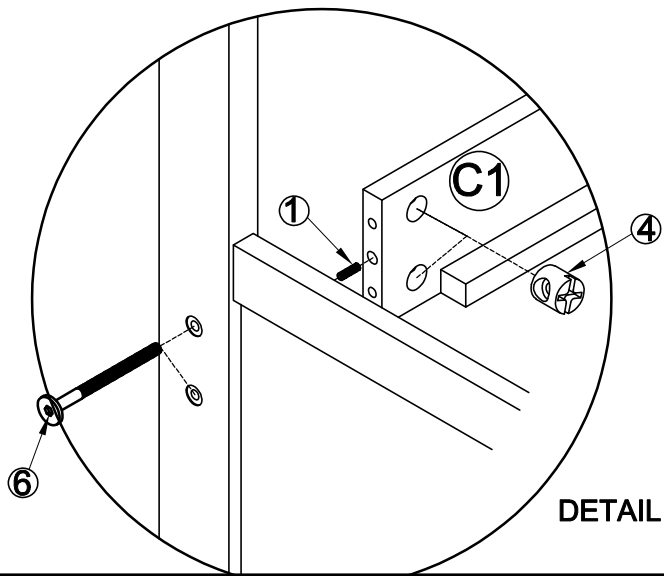
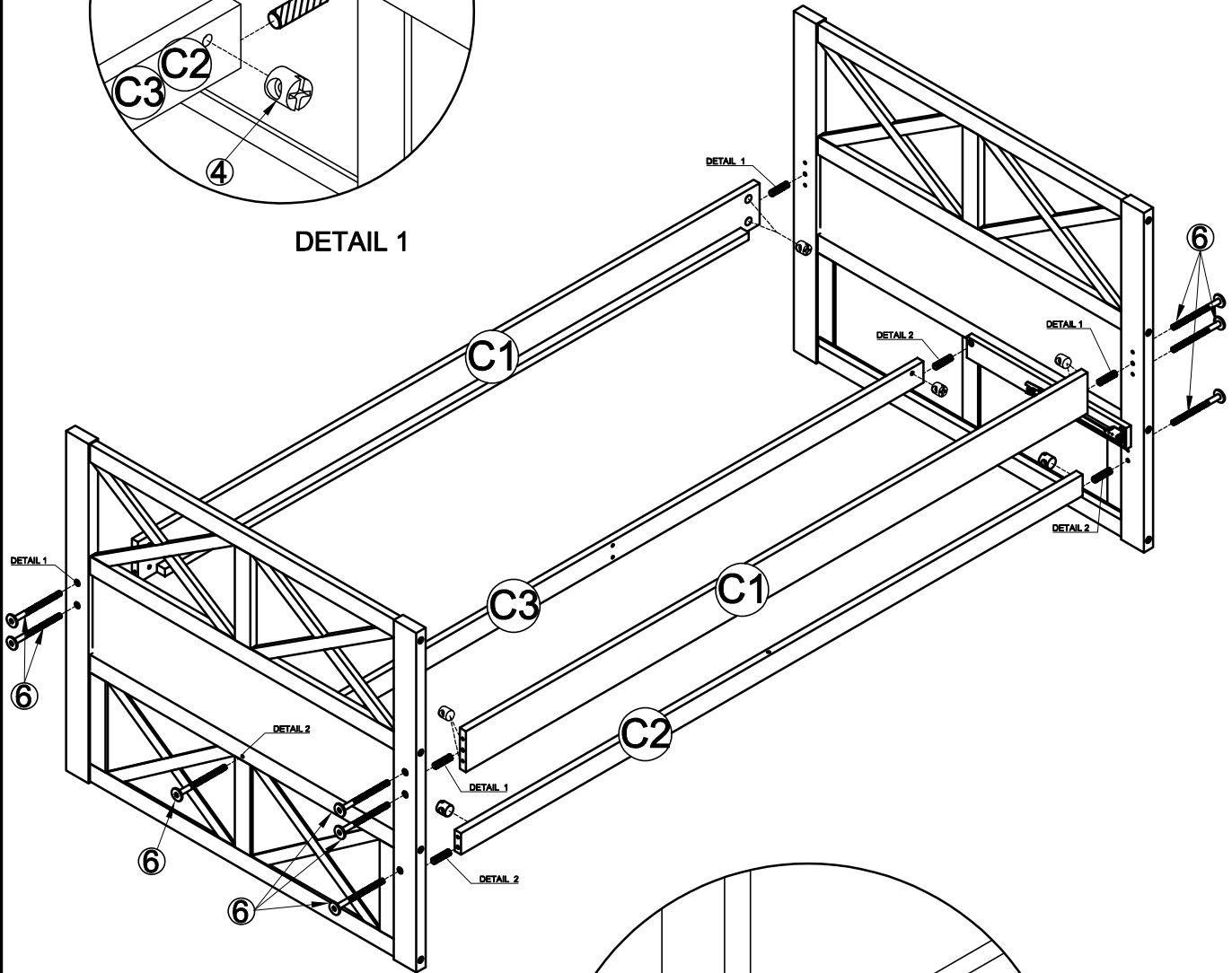
3	
	2pcs

STEP 3: Following below illustration Using hardware #4,#6 and
 dowel #1 to Assembly Headboard and Footboard with siderail C1(2),C2,C3.
 Look at detail view for more detail

4 	6 	1 
12pcs	12pcs	8pcs

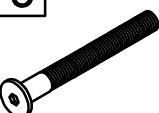

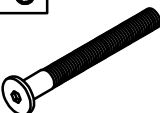


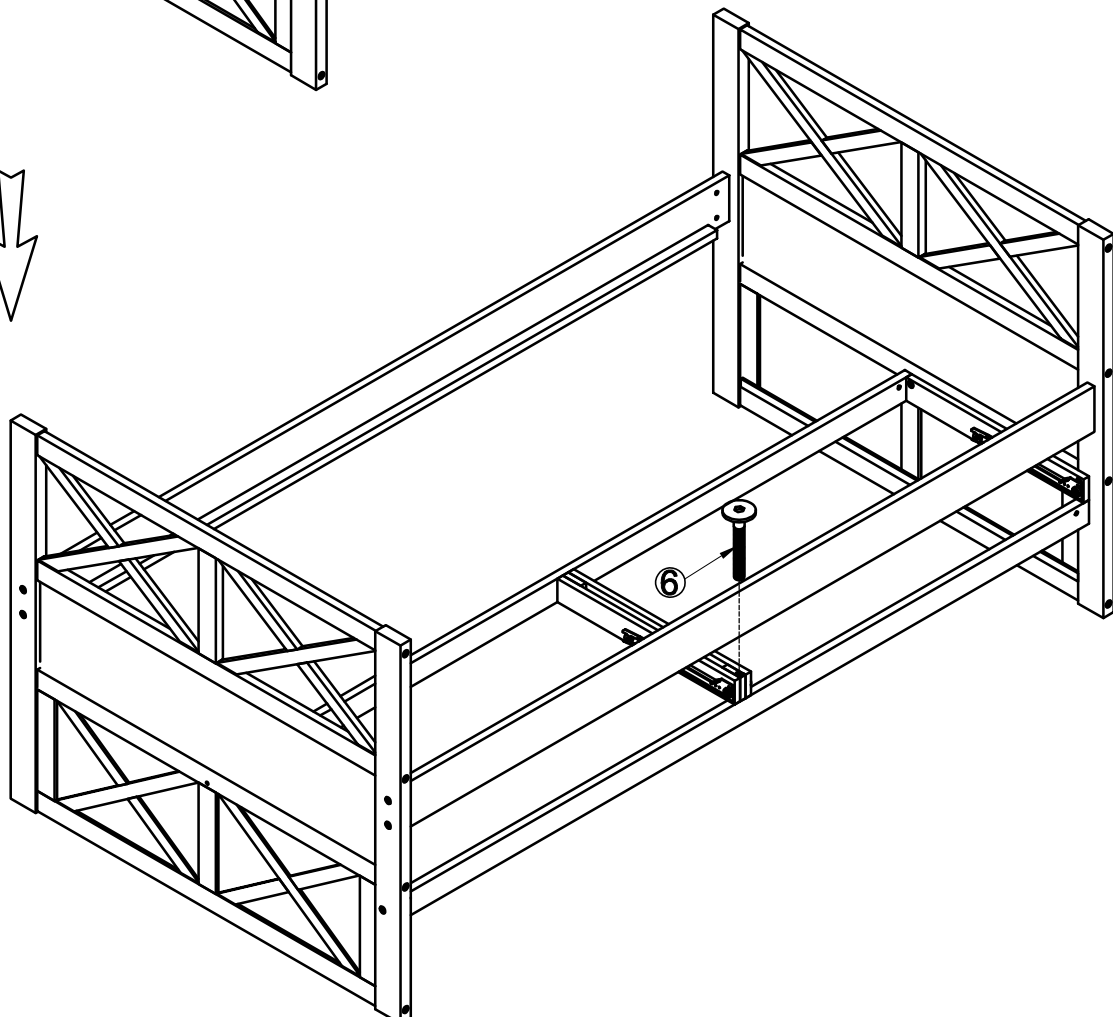
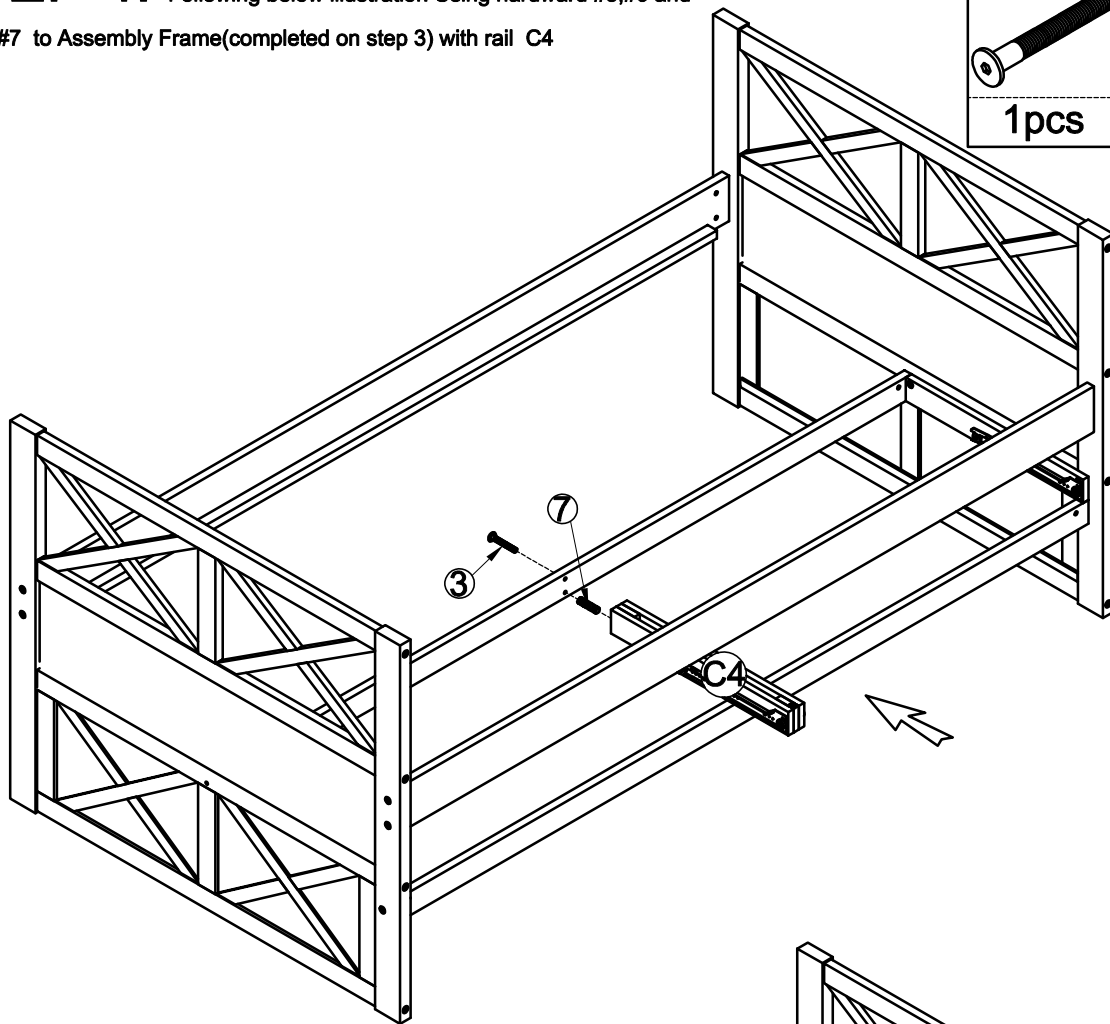
DETAIL 1



DETAIL 1

STEP 4: Following below illustration Using hardware #3,#6 and
dowel #7 to Assembly Frame(completed on step 3) with rail C4

3 	7 
1pcs	1pcs
6 	
1pcs	



STEP 5:

Following below illustration:

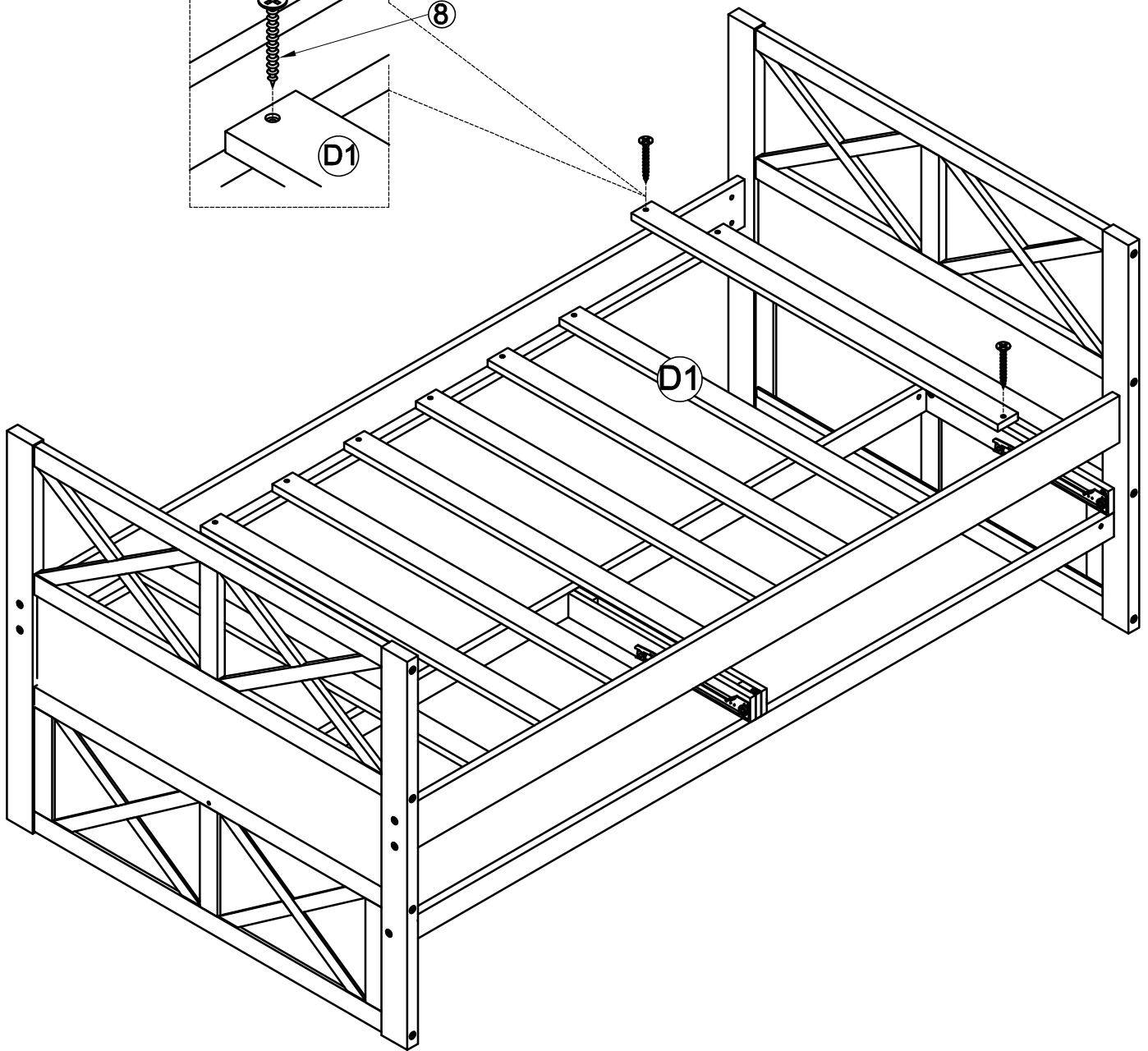
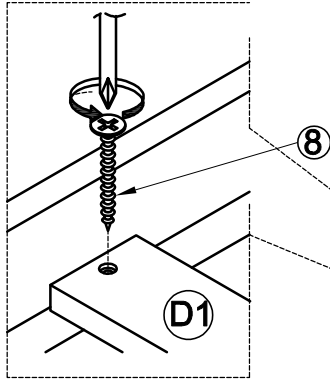
Screw 10 slats D1 with Side Rail C1(2) by using hardware #8.

-Look at detail view for more detail

8

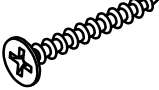
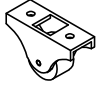


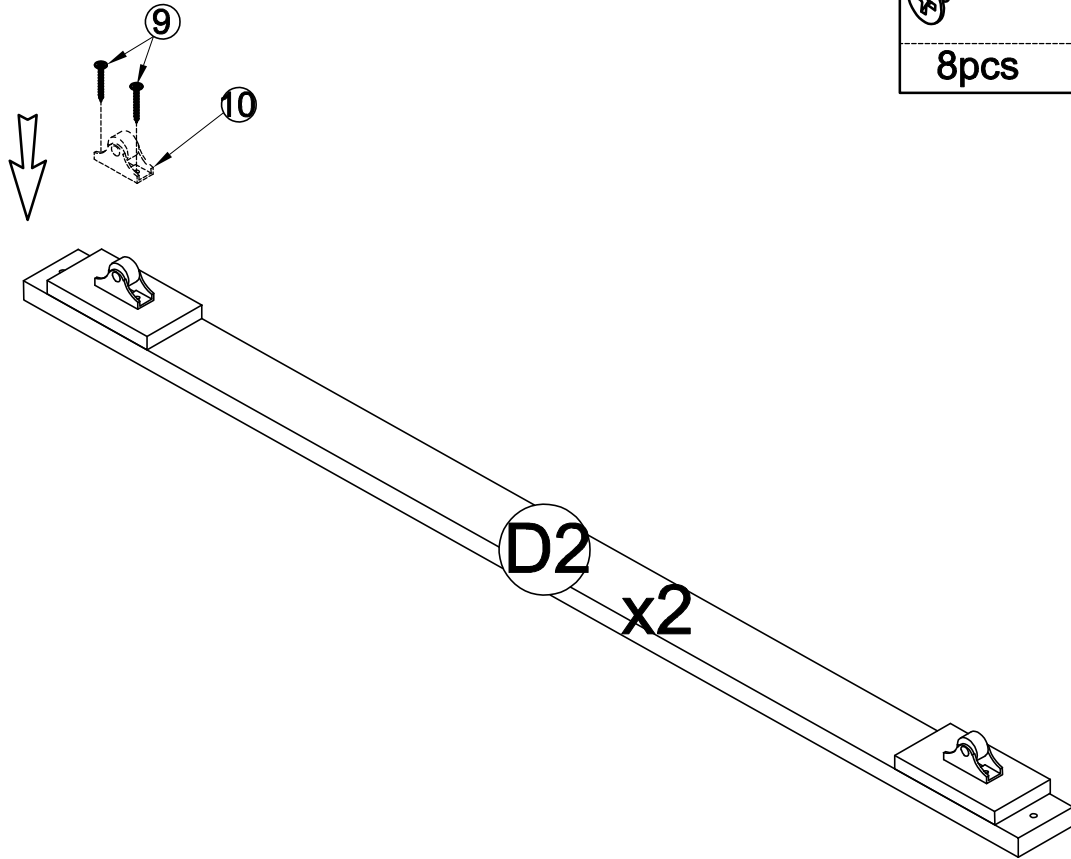
20(pcs)



STEP 6-1: Following below illustration:

-Using hardward #9 to connect Wheels #10 With Slats D2(x3)

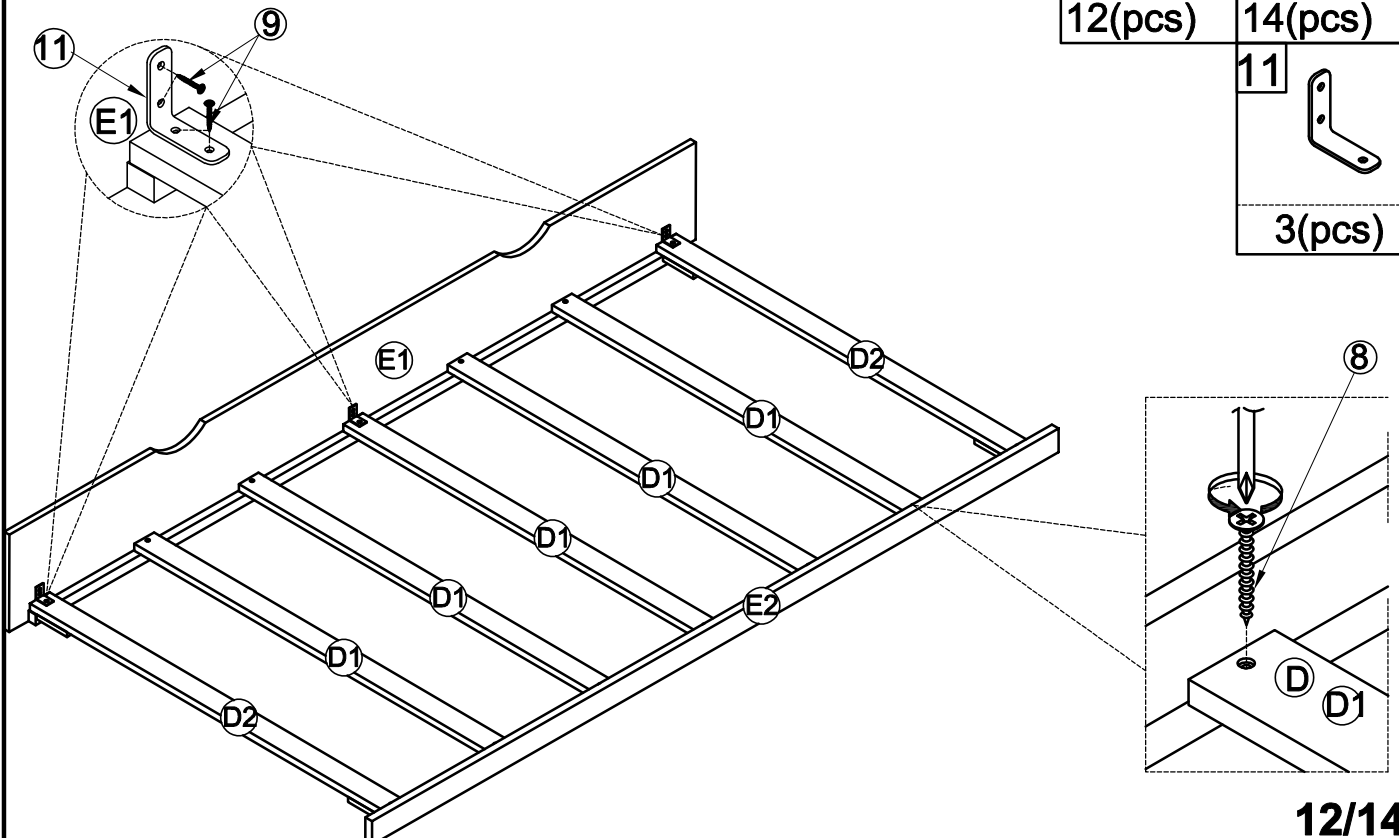
9	10
	
8pcs	4pcs



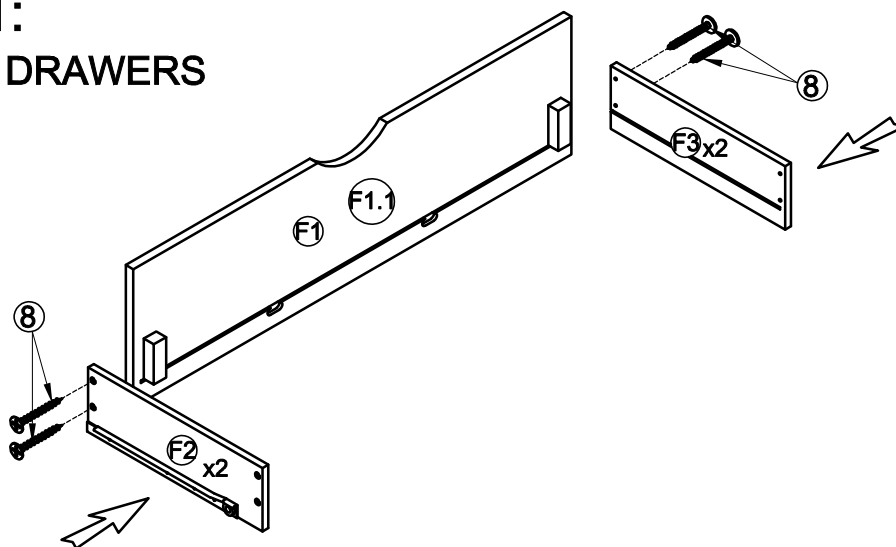
STEP 6-2: Following below illustration:


-Screw 5 slats D1 and 2 slats D2 with Front Trundle E1 and Back Trundle E2 by using hardward #8.
 -Screw Steel Bracket (#11) with Front Trundle(E1) and slats D,D1 using hardward #9

9	8
12(pcs)	14(pcs)
11	
3(pcs)	

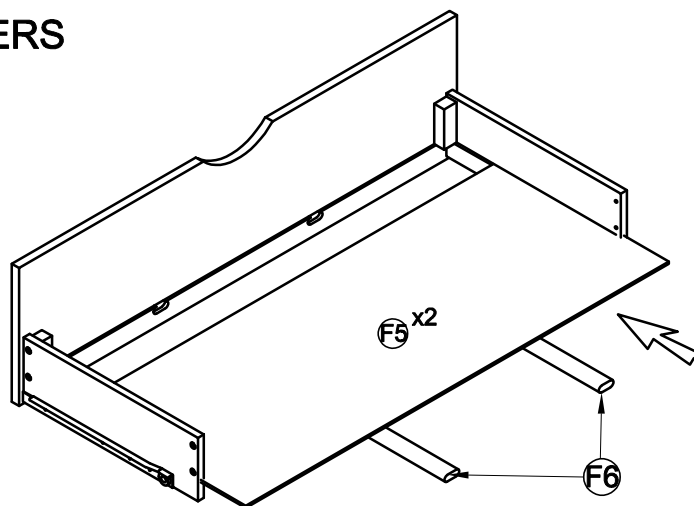


STEP 7-1: ASSEMBLY DRAWERS

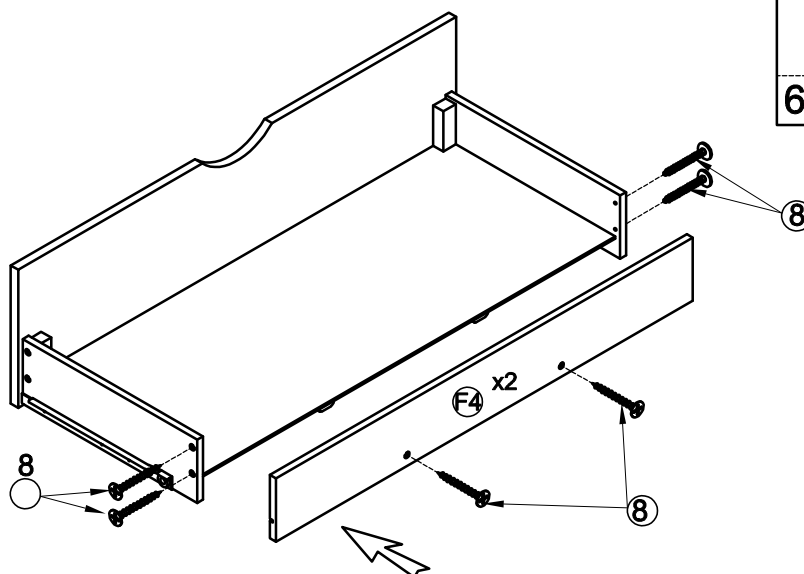



8

4x2(pcs)

STEP 7-2: ASSEMBLY DRAWERS



STEP 7-3: ASSEMBLY DRAWERS

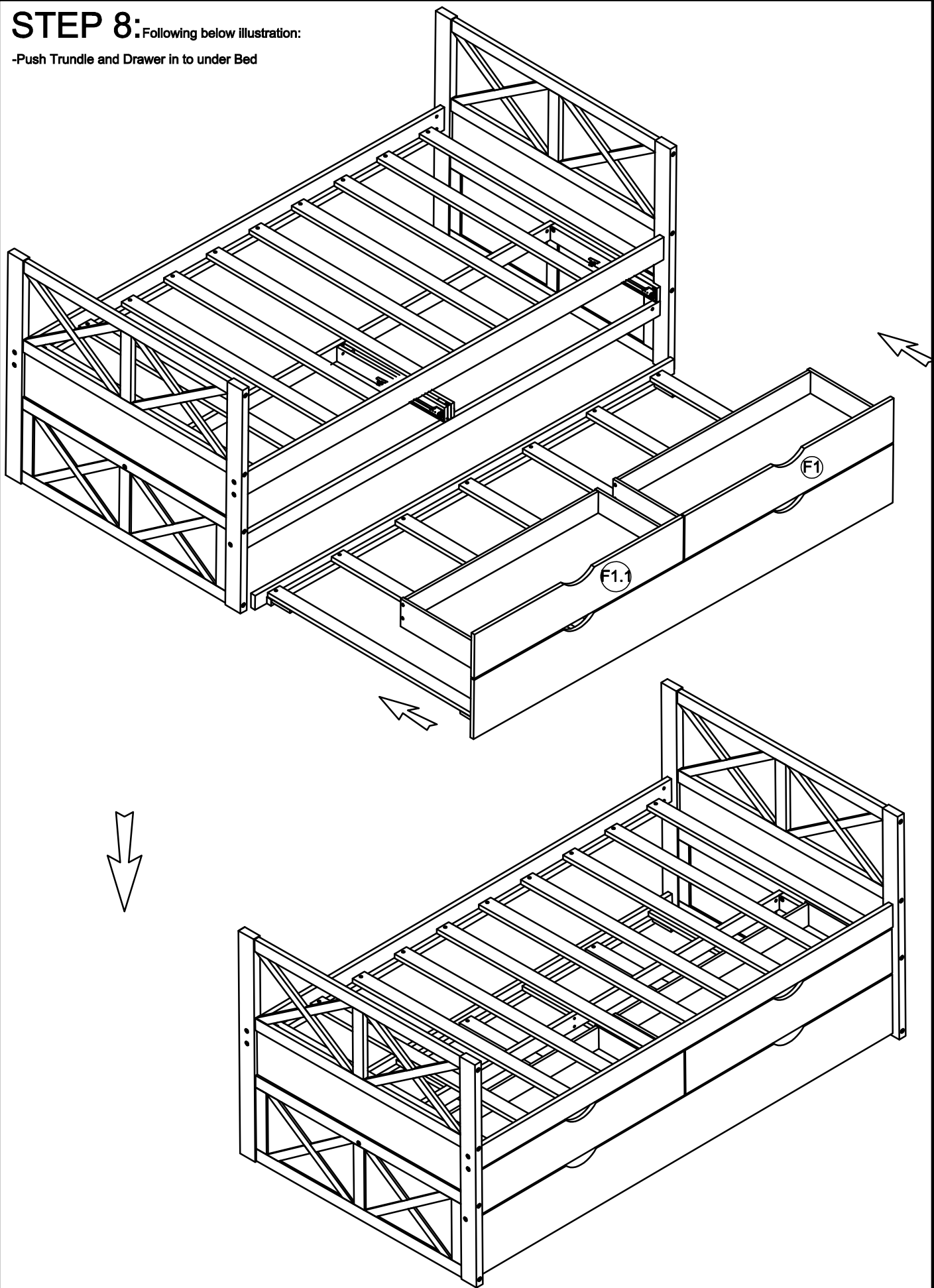


8

6x2(pcs)

STEP 8:

Following below illustration:

-Push Trundle and Drawer in to under Bed



CONGRARULATION. YOU HAVE COMPLETED THE BED. 14/14