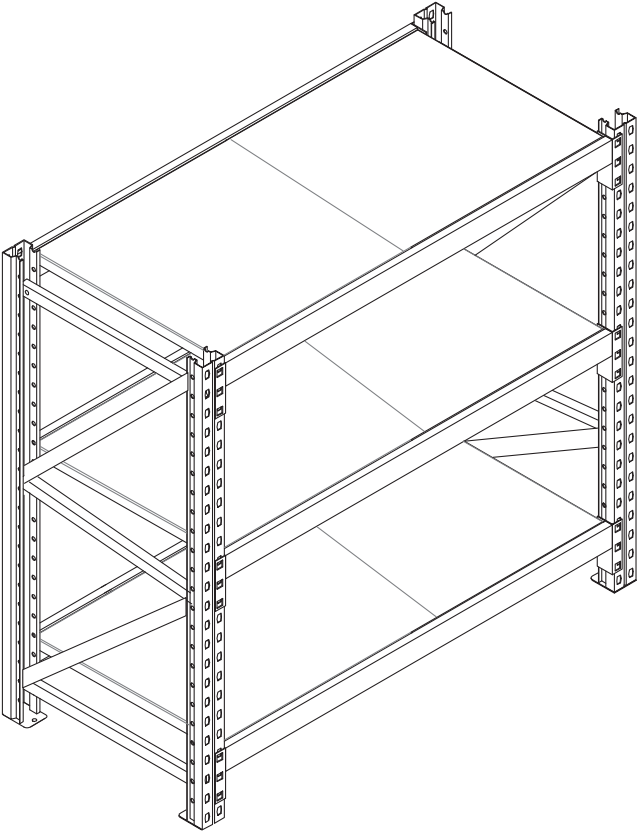

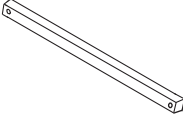

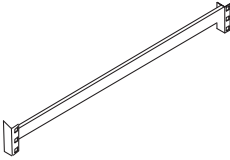

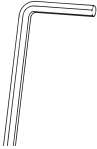
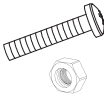
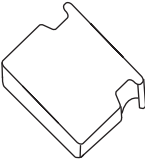
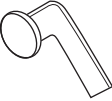
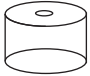

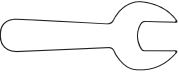


HEAVY-DUTY SHELVING



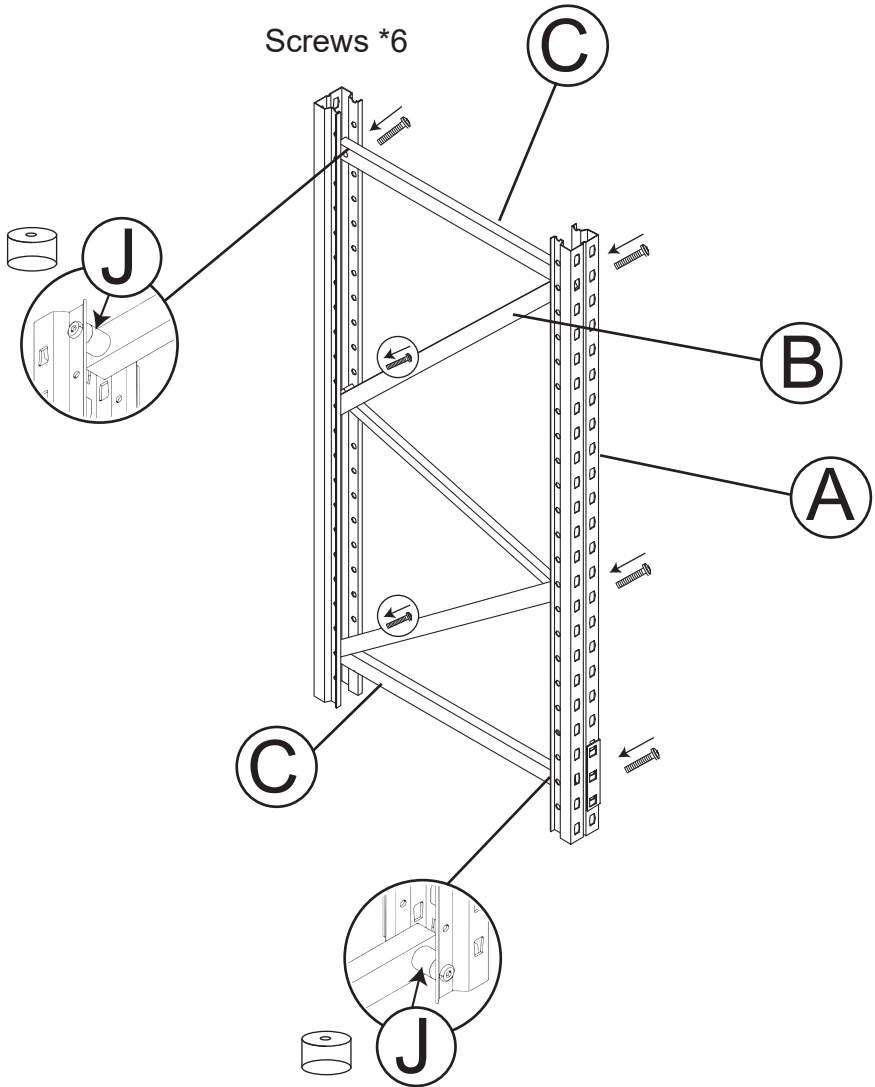
CONTENTS

Before getting started, ensure the package contains the following components

A	Post *4	B	Post diagonal braces *6	C	Post diagonal braces *4
					
D	Beam *6	E	Press board *6	F	6 Angle Wrench*1
					
G	Screw *13	H	Protective sleeves*4	I	Safety latch *12
					
J	Support mat *4	K	Expansion bolt*4	L	Simple wrench*1
					

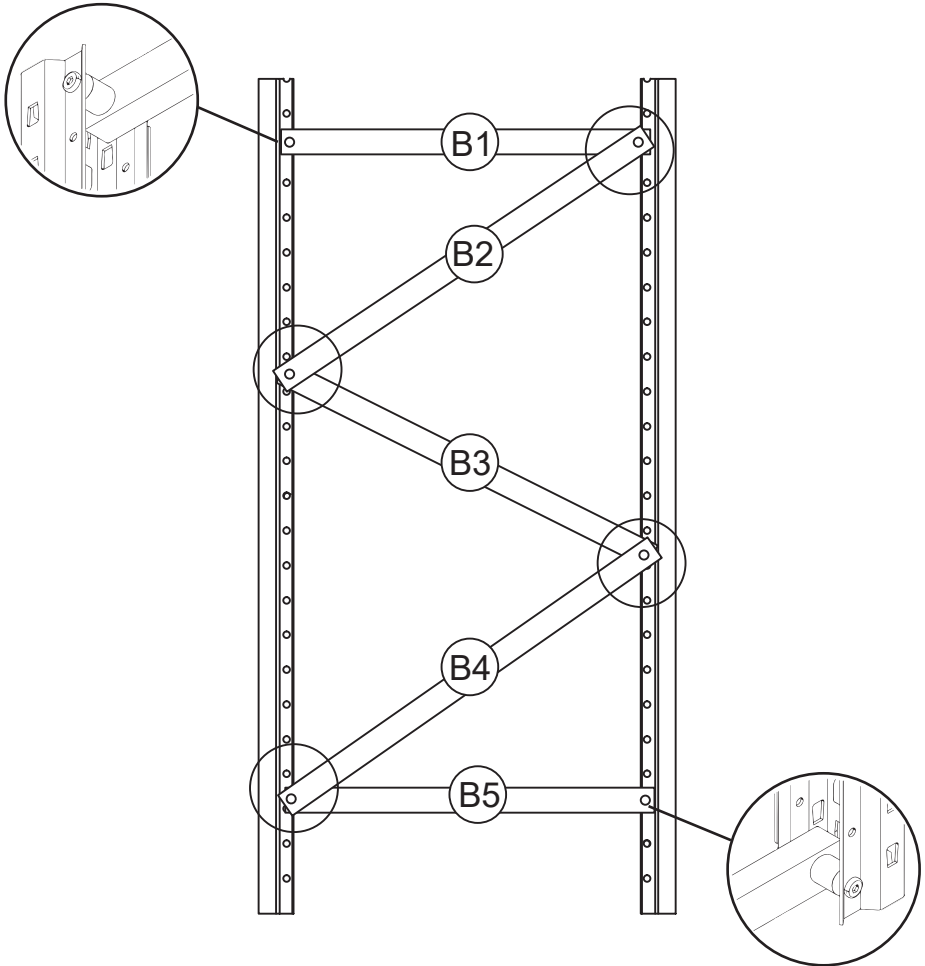
STEP 1

Connect Posts A using Post diagonal braces B and C and secure with screws



Attention:

Special care should be taken to ensure that both ends of the post diagonal braces B2 and B4 are always above B1, B3 and B5. This is very important.

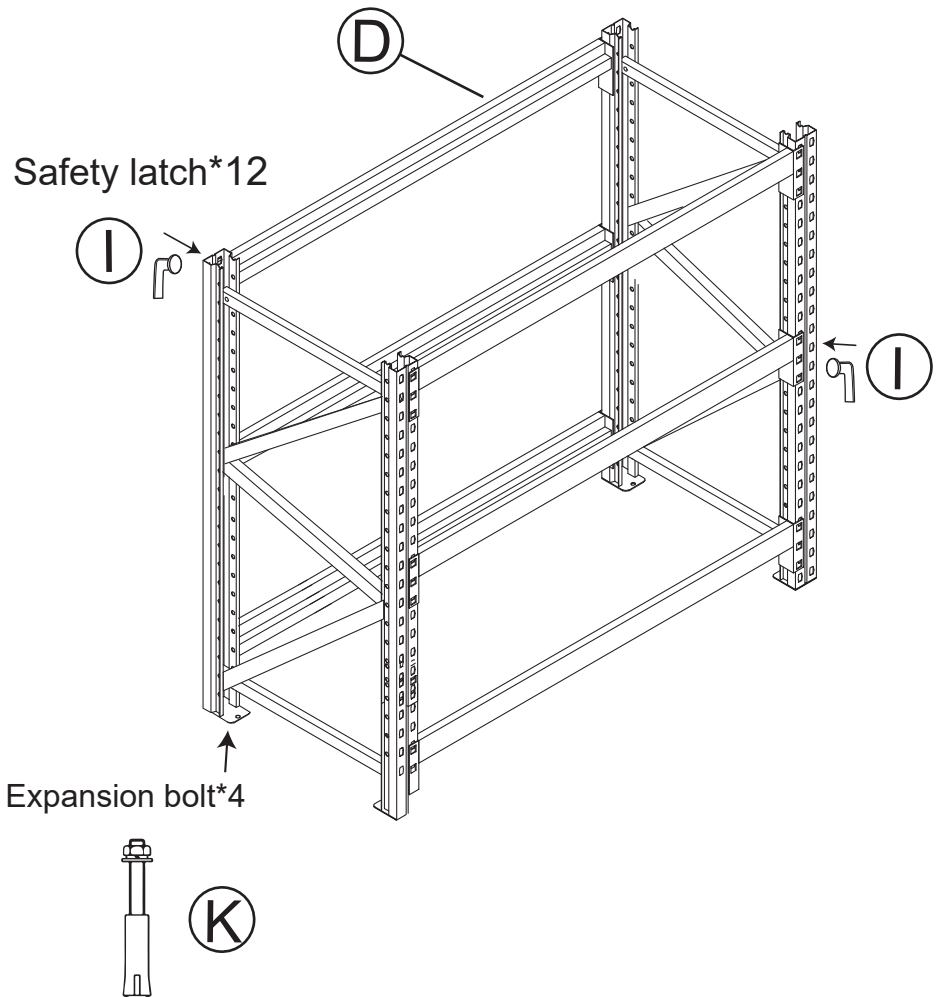


STEP 2

Connect the Posts with beams D, and secured with Safety latch I.

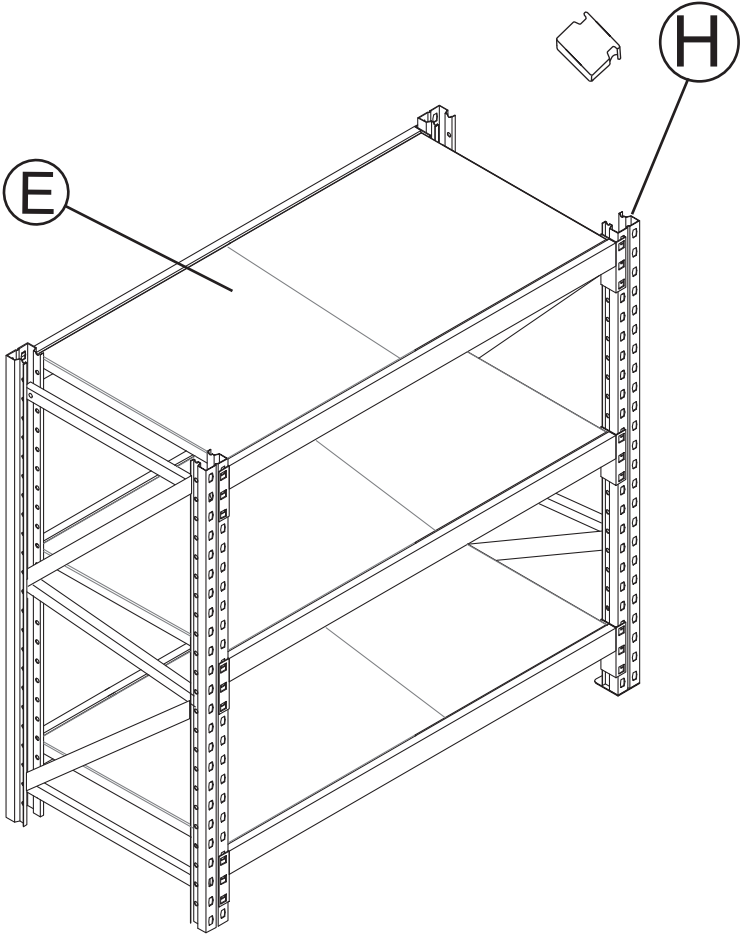
Please ensure that the two beams on the same level are on the same horizontal plane.

If needed, you can use expansion bolts K to secure the entire shelving unit to the floor to prevent tipping.



STEP 3

Place the Press boards E on the beams of each level and cover the top of the post with protective sleeves H



SAFETY AND COMPLIANCE

Please read and understand this entire manual before using the product.

CAUTION

- Be aware of dynamic loading! Sudden load movement may briefly create excess load causing product failure.
- Evenly distribute the weight on each shelf, and keep the heaviest loads on the bottom shelf.
- Use only on flat, level and hard surface capable of supporting the shelving and any items placed on it. Remember to only use the shelf on level ground with evenly distributed weight.
- Do not store flammable liquids in the unit unless they are secured in an approved container.
- Keep bystanders out of the area during assembly.
- This product is not a toy. Do not allow children to play with, on or near the unit.

WARNING



Do not stand on, step on, or alter this unit for anything outside the designed function of storage.



Use care when handling and assembling metal parts.



The metal may have sharp edges or corners. The use of protective gloves is recommended.



Always remember to use proper lifting techniques when moving the boxed or assembled unit.




PREPARATION

- Before beginning assembly of product, make sure all parts are present. Compare parts with package contents list. If any part is missing or damaged, do not attempt to assemble the product. It is recommended that this product be assembled on a clean, soft surface, such as a piece of cardboard. The assembling task can be performed by one person but availability of a second person will make the task simpler.

TROUBLESHOOTING

PROBLEM	POSSIBLE CAUSE	PROBLEM
Shelf is not level	<ul style="list-style-type: none"> Beam(s) used for the same level are not at the same height or they are assembled upside down. The post diagonal braces installation is incorrect, please refer to the attention parts in step 1. The ground is uneven or too soft. 	<ul style="list-style-type: none"> Re-assemble beam. Re-assemble the Post diagonal braces Move the shelf to a flat, level and hard surface.

Hello there!
We're excited to offer you seamless service.

<p>You can contact us using any of the three methods on the right to access the following services below</p>		<p>302-498-1264</p>
		<p>oiffurniture@gmail.com</p>
		<p>simplyscan our Whatsapp QR</p>

- 1** Comprehensive installation videos
- 2** Activate warranty options
- 3** Expert post-sales support
- 4** Exclusive discounts
- 5** And more additional services



Our goal is to enhance your shopping experience. We look forward to hearing from you. Thank you!