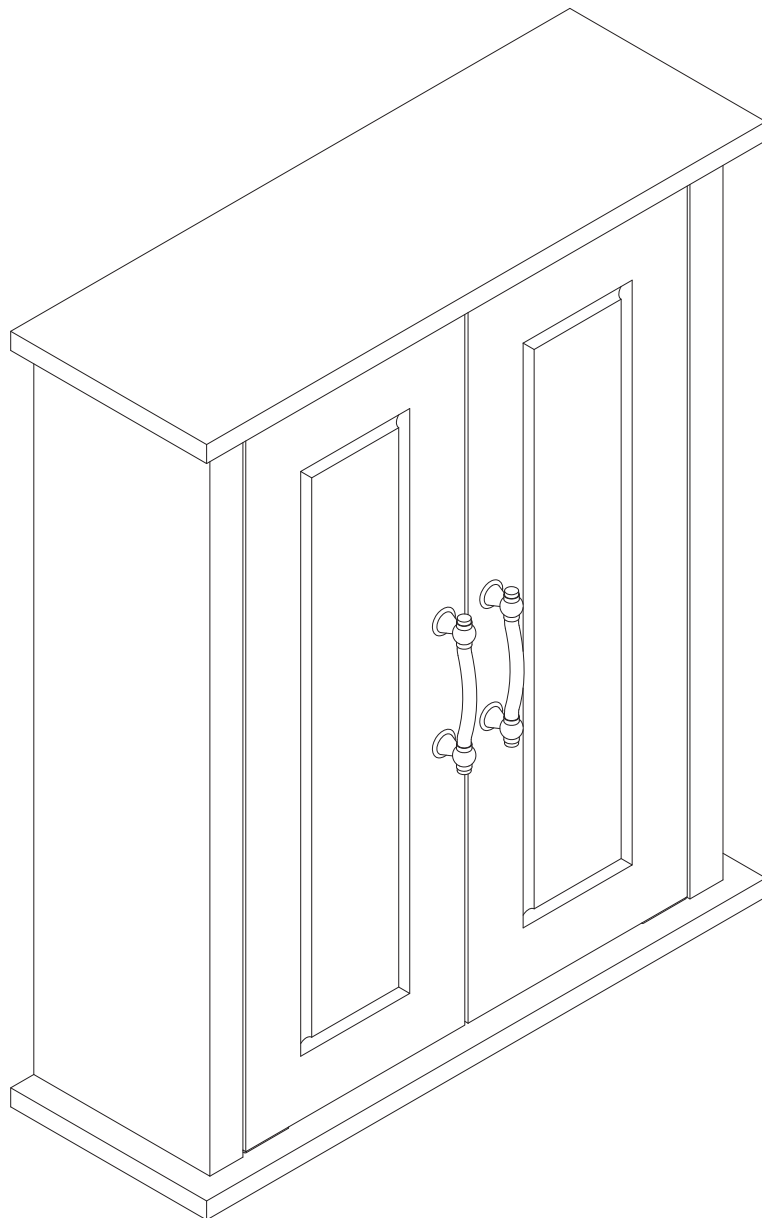


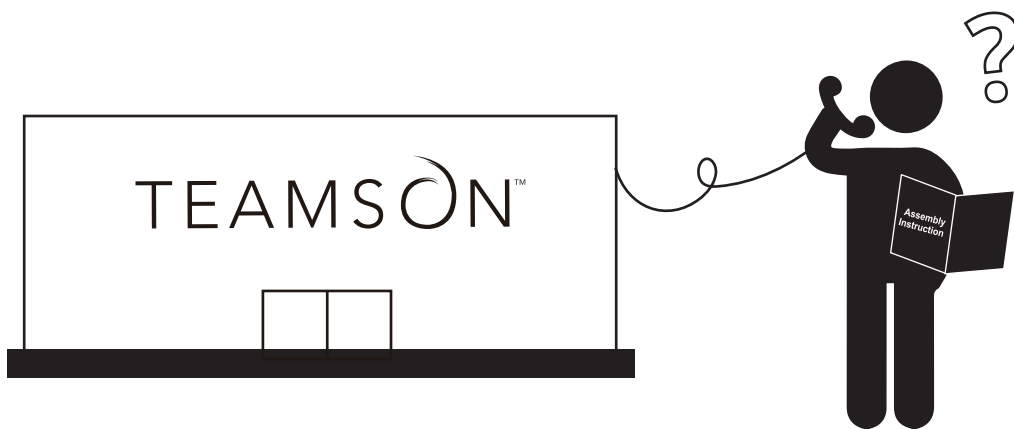
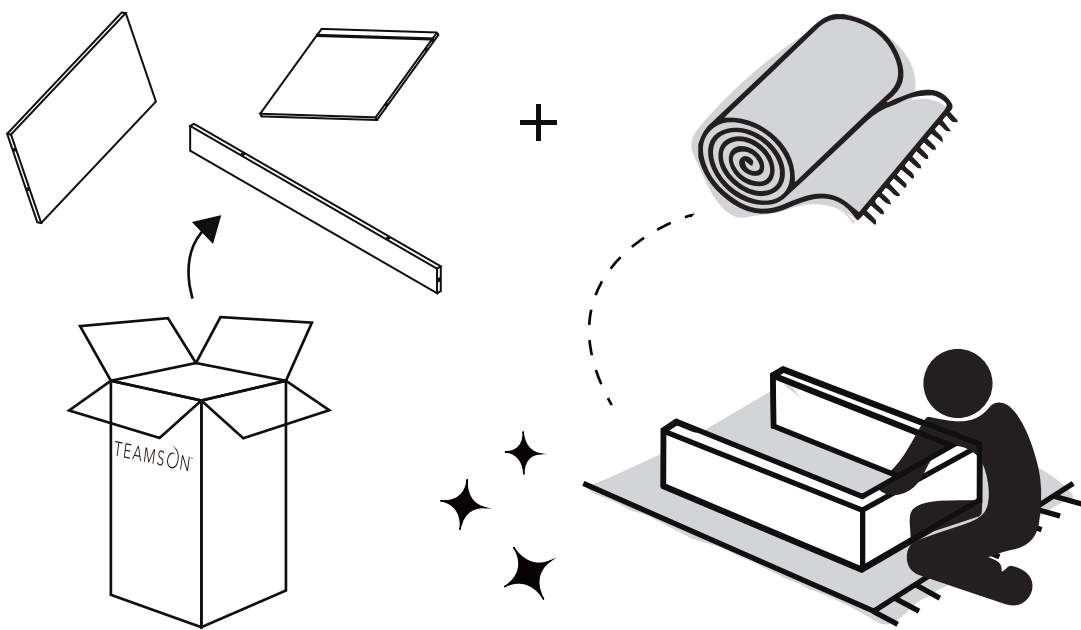
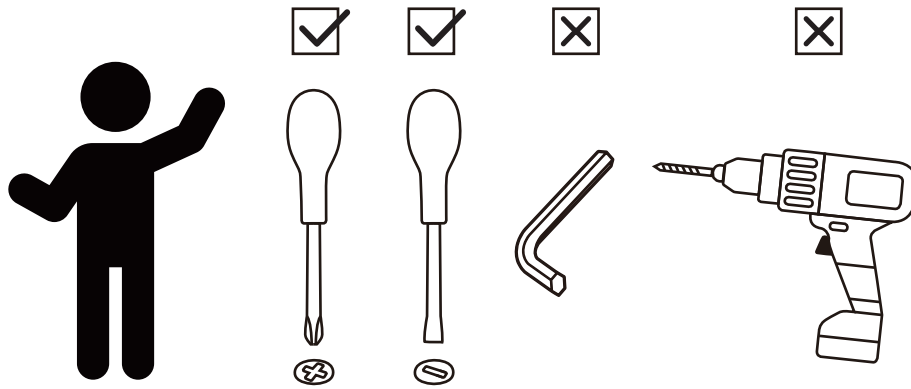
**Elegant Home Fashions
Russell Wall Mounted Cabinet
with Double Doors - Salt Oak**

TIME SAVER!
3D Interactive Instruction



F0014





** Got questions? Please have your product code (on the first page of this instruction, e.g. TD-12345A) and the order number ready, give us a call or email us through our customer care support! We are always ready to assist you!

TEAMSON HOME



3D Interactive Instruction

www.teamsonhome.com

Serving you well gives us great joy!

USA +1(770)-246-4898

Mon - Fri 9:00am ~ 5:00pm EST

✉ service@eleganthf.net

EU/UK . . . +44(0)1952-916-050

Mon - Thu 9:00am ~ 5:00pm GMT

Friday 9:00am ~ 4:00pm GMT

✉ support@teamson.co.uk

ASSEMBLY INSTRUCTIONS-IMPORTANT

Carefully unpack & identify each component before attempting to assemble. Refer to parts list. Please take care when assembling the unit and always set the parts on a clean, soft surface. If you require any assistance with assembly, parts, please call the company you place order with or please email to:service@eleganthf.net

INSTRUCCIONES PARA ARMAR-IMPORANT:

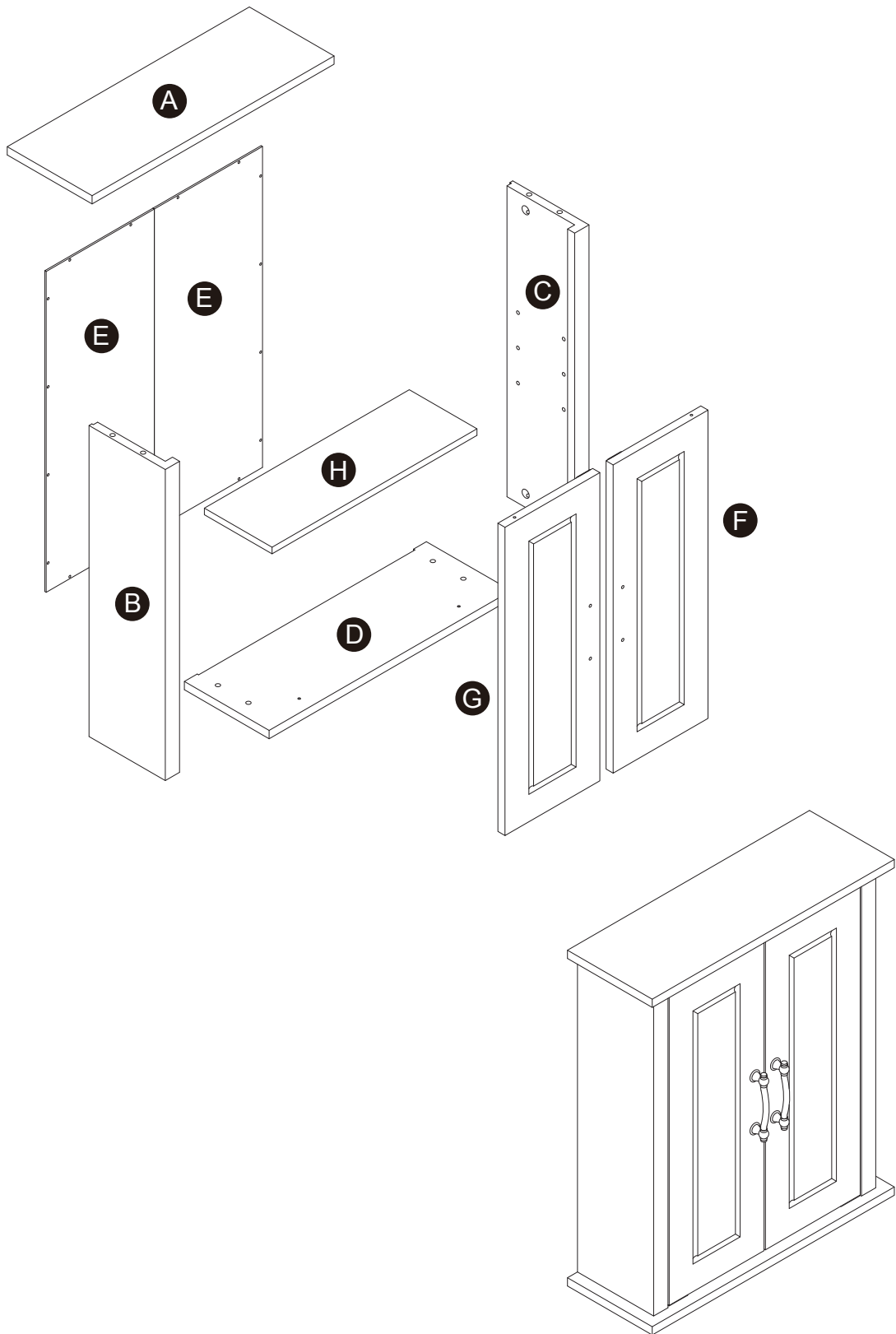
Desempaque cuidadosamente e identifique cada componente antes de tartar de empezar su ensambladura. Verifique la lista de partes. Por favor tenga cuidado cuando arme la unidad y siempre coloque las piezas sobre una superficie plana, suave y limpia. Si necesita ayuda con el armado, envíe un correo electzórico a service@eleganthf.net

DIRECTIVES DE MONTAGE-IMPORTANT:

Avant de commencer l' assemblage, déballez délicatement toutes les pièces et repérez-les sur la liste des pièces. Procédez avec soins durant l' assemblage et posez toujours les pièces sur une surface proper, douce et lisse. sie vouo plait e-mail á service@eleganthf.net

Thank you for choosing Teamson Home

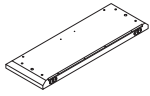
Exploded Drawing



Questions?
Scan Here

Product Parts

A



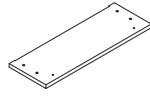
B



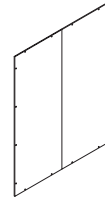
C



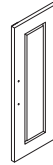
D



E



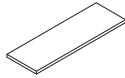
F



G



H



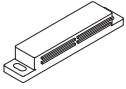
Questions?
Scan Here

! WARNING:

1. Do not let any sharp objects touch or rub the surface of the product.
2. When assembling, do not let children play around the working area.
3. Please confirm all parts are correct before starting the assembly process.
4. Do not tighten all bolts and screws completely until the entire unit has been assembled and set up.

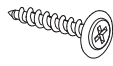
Hardware

1



1 pc

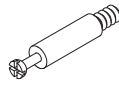
2



Ø3*12 D=7

18 pcs

3



2 pc

4



Ø3*12

2 pcs

5



Ø6*30

8 pcs

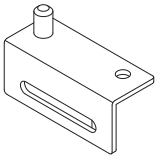
6



Ø4*35

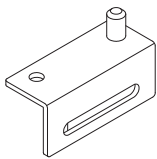
2 pcs

7



1 pc

8



1 pc

9



4 pcs

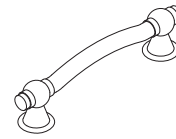
10



Ø3*12

4 pcs

11



2 pcs

12



5/32*16

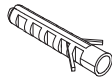
4 pcs

13



4 pcs

14



2 pcs

15



Ø4*38

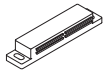
2 pcs



Questions?
Scan Here

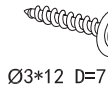
Step 1

1



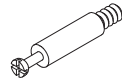
1 pc

2



2 pcs

3



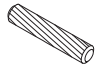
2 pcs

4



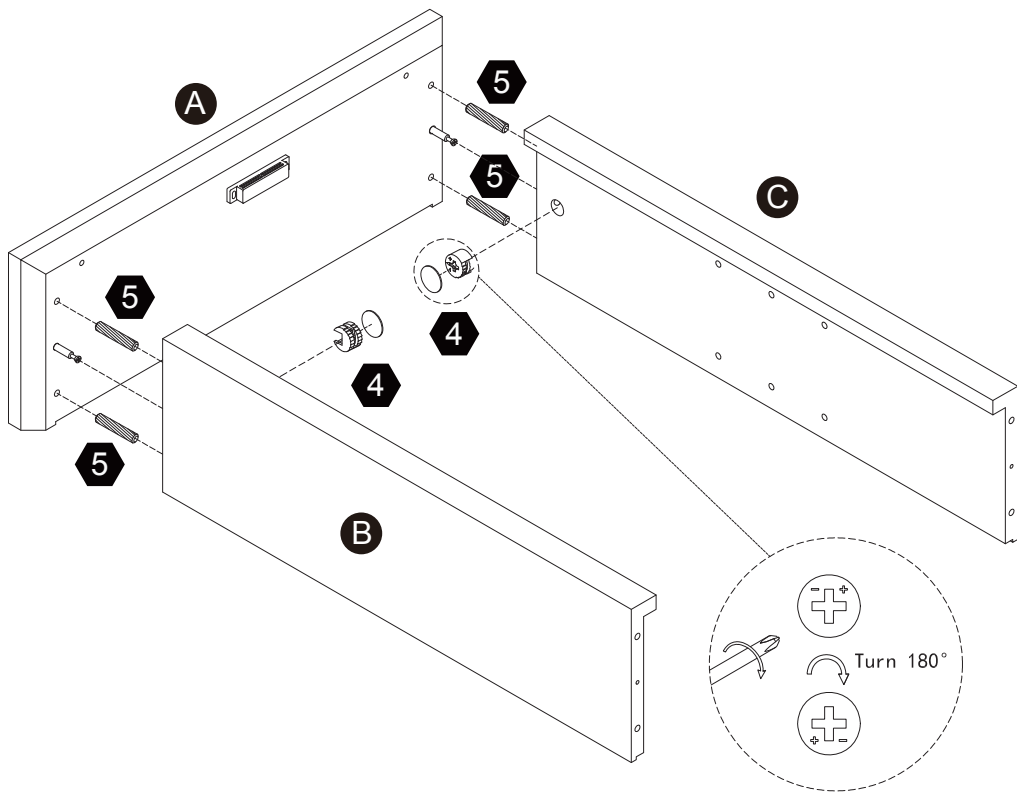
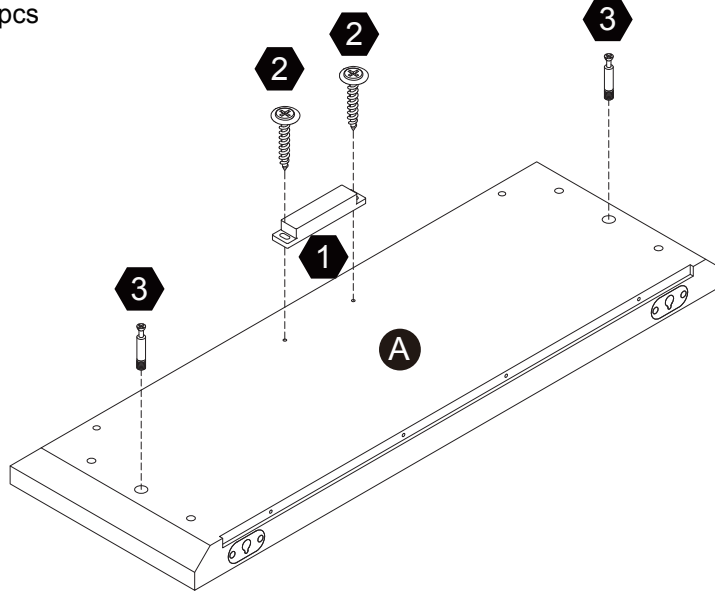
2 pcs

5



4 pcs

Ø6*30



Questions?
Scan Here

Step 2

2



16 pcs

Ø3*12 D=7

5



4 pcs

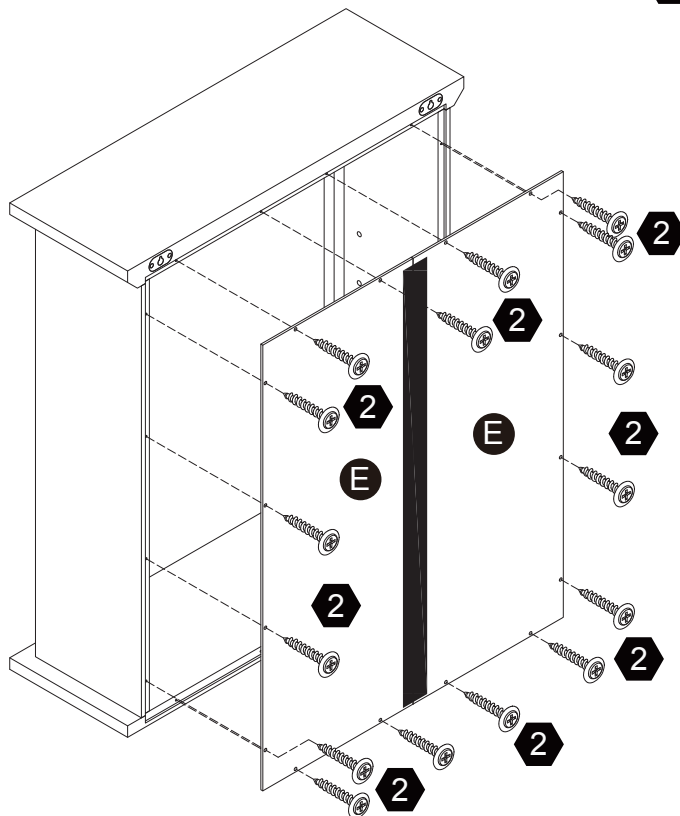
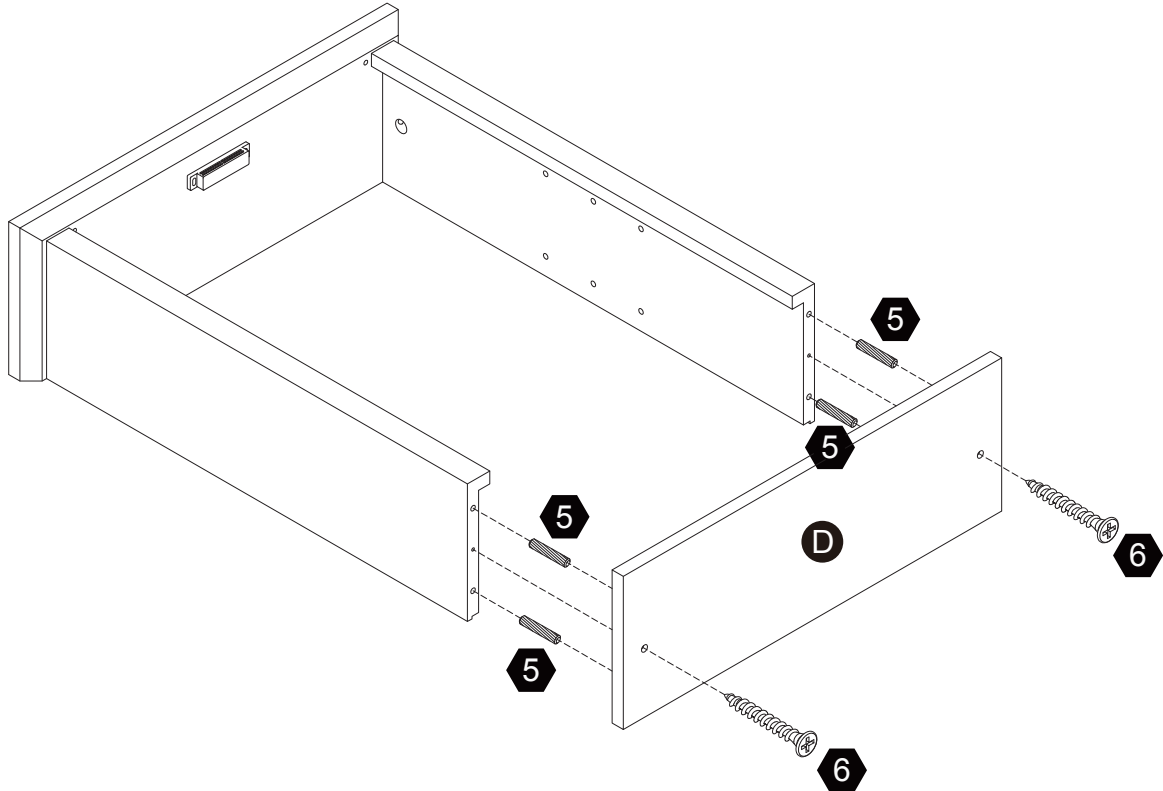
Ø6*30

6



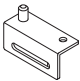
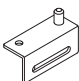

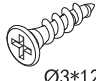
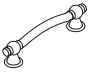

2 pcs

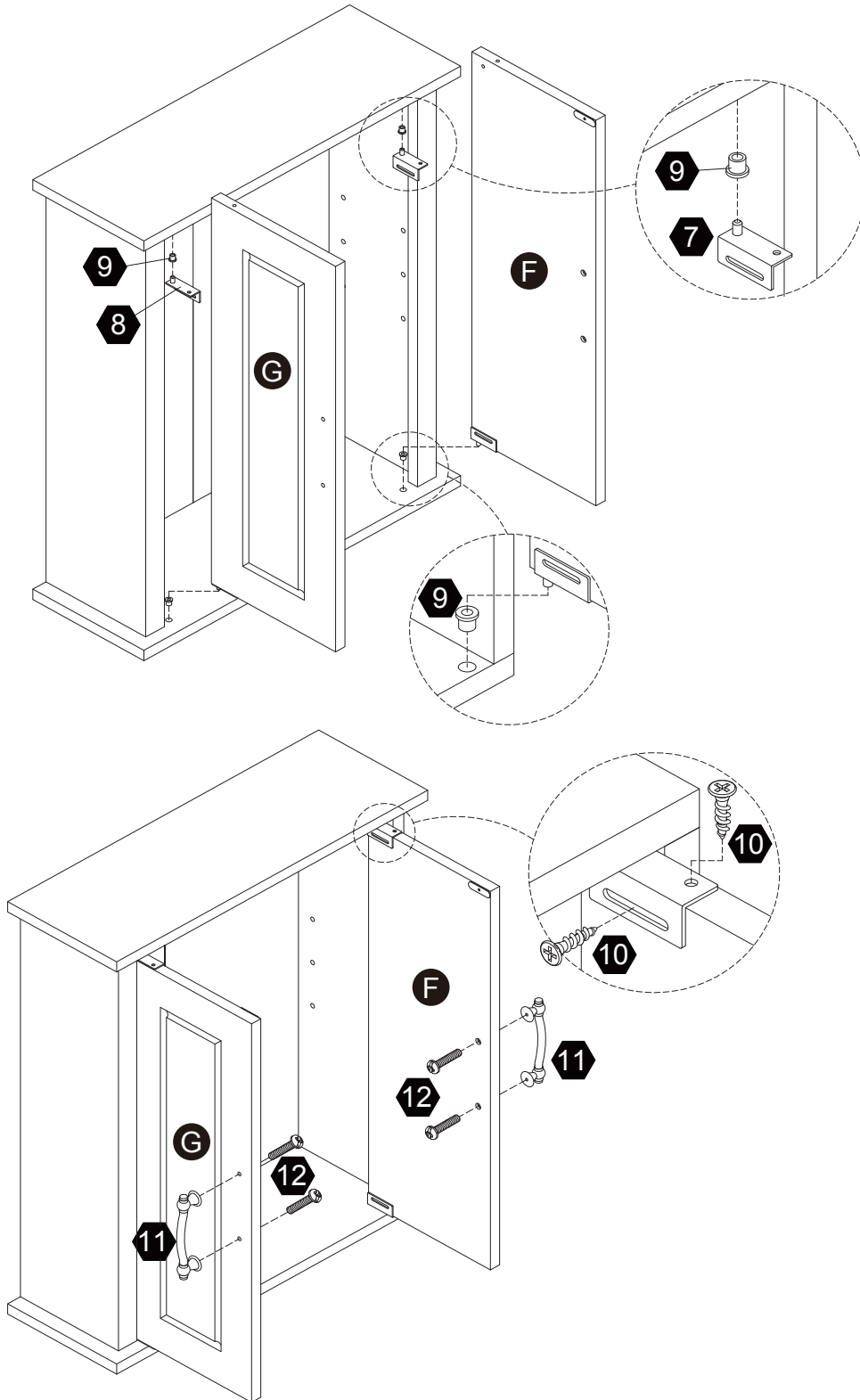
Ø4*35



← **Questions?**
Scan Here

Step 3

- 7**  1 pc
- 8**  1 pc
- 9**  4 pcs
- 10**  4 pcs $\varnothing 3 \times 12$
- 11**  2 pcs
- 12**  4 pcs $5/32 \times 16$



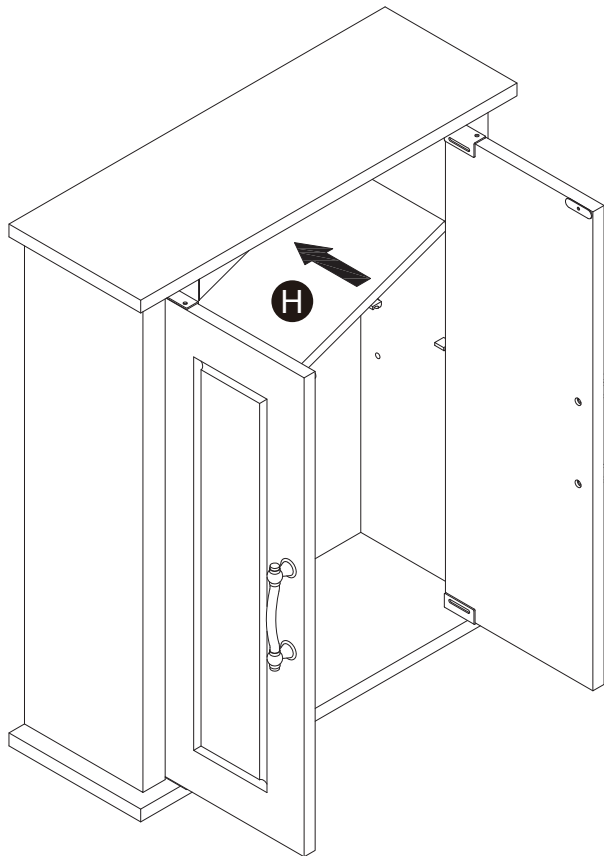
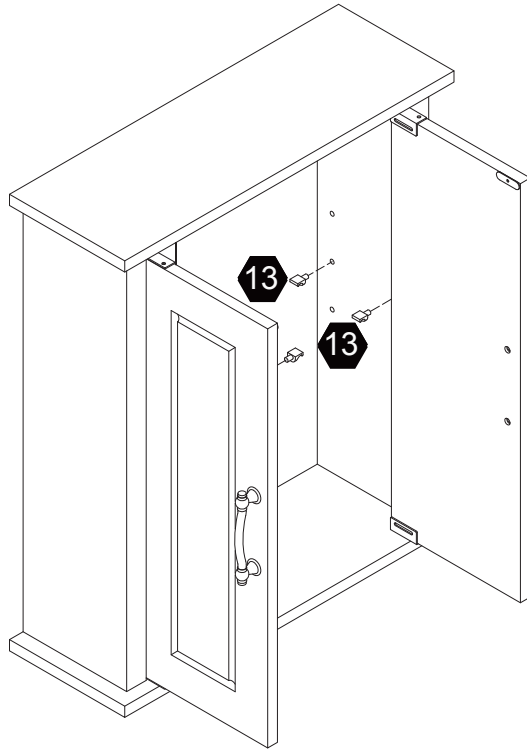
Questions?
Scan Here

Step 4

13



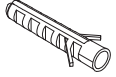
4 pcs



Questions?
Scan Here

Step 5

14



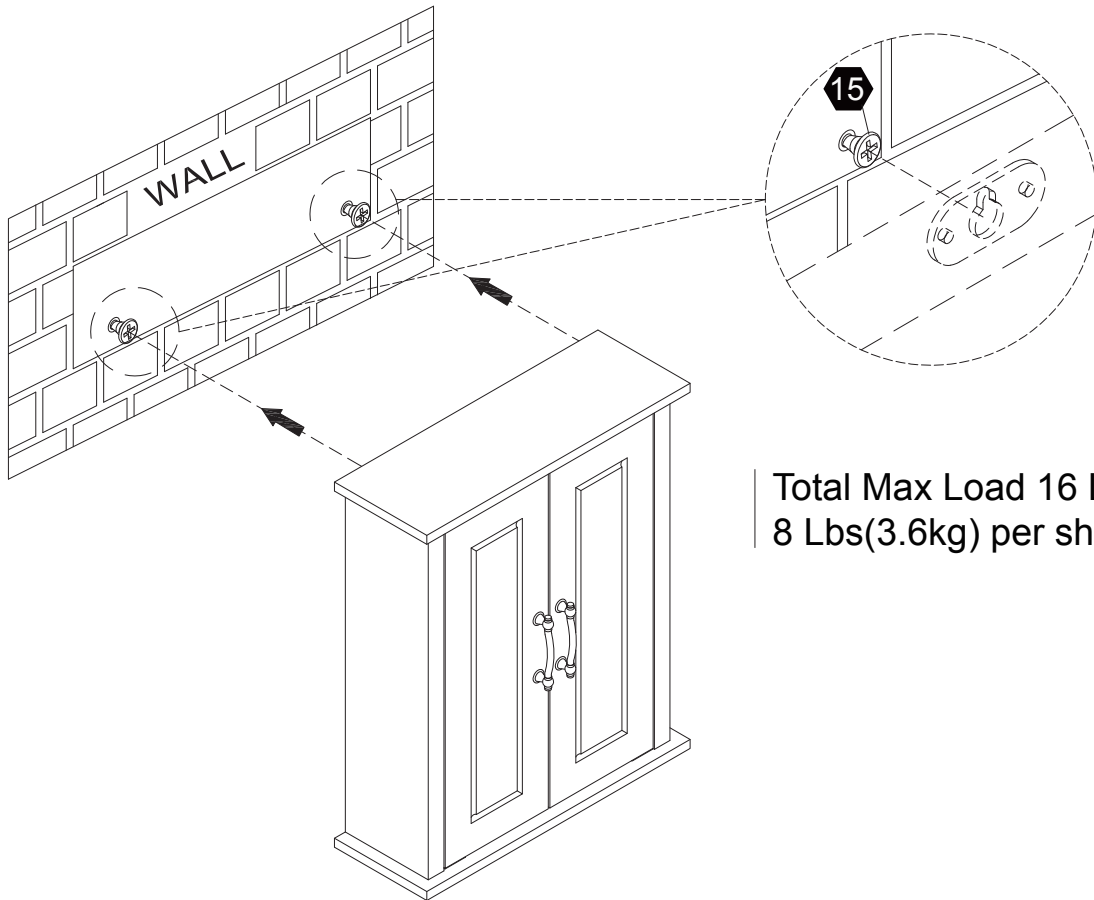
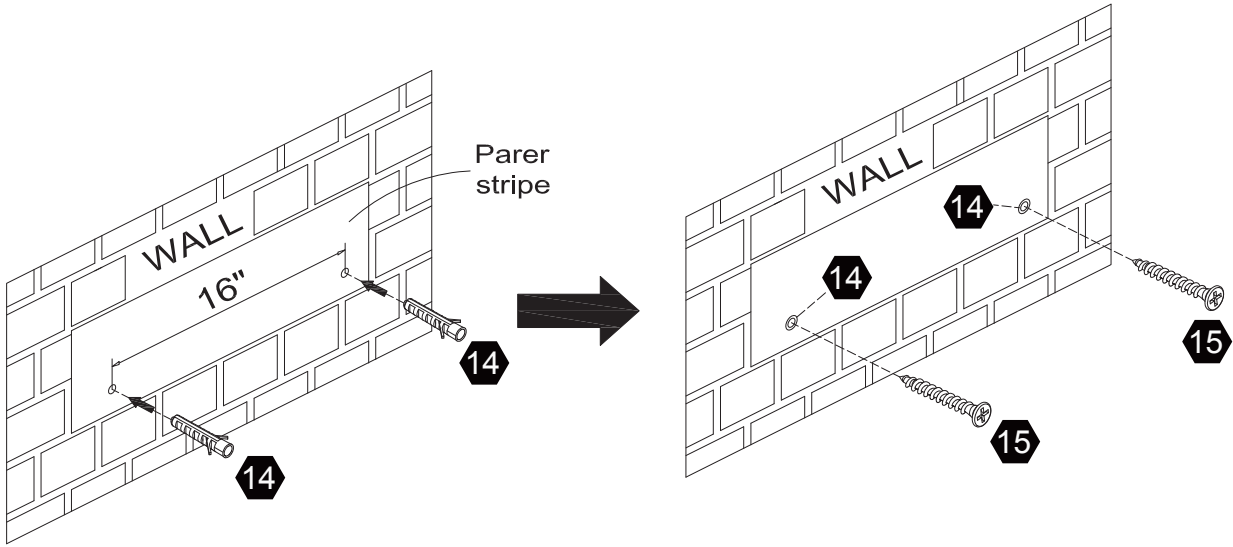
2 pcs

15



2 pcs

Ø4*38



Total Max Load 16 Lbs(7.2kg)
8 Lbs(3.6kg) per shelf



Questions?
Scan Here