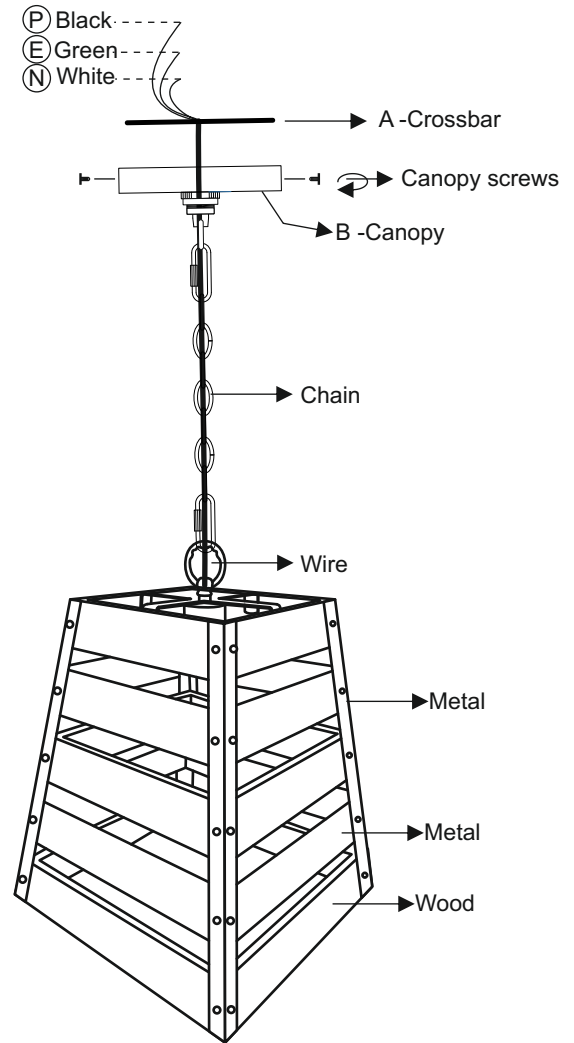


## Assembly Instructions

- 1- Place all parts on a flat smooth surface and start the lamp assembly.
- 2- Lamp installation
  - ⚠ CAUTION- Before starting the installation, disconnect the power by turning off the circuit breaker or by removing the fuse at the fuel box. Turning the power off using the light switch is not sufficient to prevent electrical shock.
- 3- Instal the cross bar A to the ceiling outlet box using the provided screws.
- 4- Wiring: using the provided wire connect the lamp BLACK wire to your installation POSITIVE wire, then connect the lamp WHITE wire to the NEUTRAL. Lastly connect your house ground wire to the GROUND SCREW located in the crossbar A
- 5- Gently push the wiring inside the electrical box, then lift the lamp from the canopy B & using the two canopy screws attach it to the crossbar A
- 6- Install the big shade on the socket using the socket ring.
- 7- Install the BULB (s) (Not Included)
  - ⚠ CAUTION- Refer to the wattage caution label located near the lamp holder for maximum wattage - do not exceed the maximum wattage
- 8- Lastly install the small shade to the big shade using the provided D- Screws



E26 Type A - 60W (Not Included)  
E26 CFL - 13W (Not Included)

**CARE INSTRUCTION-** Use only a soft cloth; do not use any chemicals or abrassive cleaners.

**MADE IN INDIA**  
**21294**

