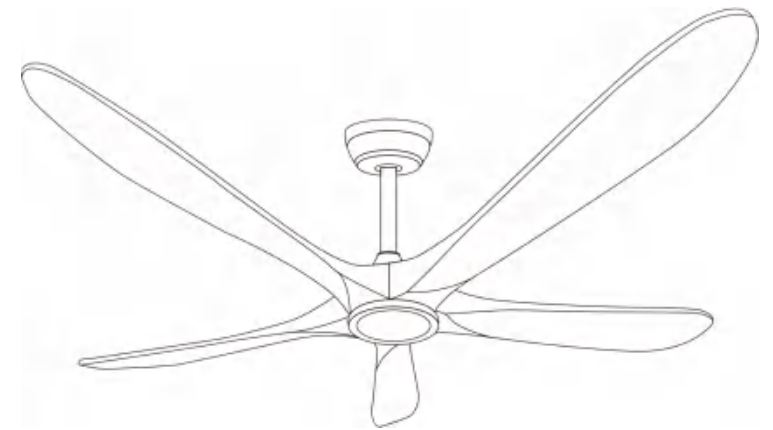


Installation Instructions



CEILING FAN FF255-60NL

Important Safety Instructions

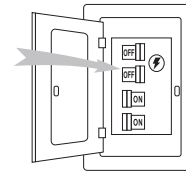
1. Read all instructions and safety information before installing your new fan. Review the accompanying assembly diagrams.
2. Before installing the fan, disconnect the power by removing fuses or turning off circuit breakers.
3. Make sure all electrical connections comply with local law and the national electrical code. Please hire a qualified electrician or consult a do-it-yourself wiring handbook if you are unfamiliar with installing electrical wiring.
4. Make sure the installation site is roomy enough to allow fan blades to rotate. There is at least seven feet from the floor to fan blades' tips.
5. If you are mounting the fan on a ceiling outlet box, please use a metal outlet box. Secure the box directly to the building structure. The outlet box and its support must be able to support the rotating fan (at least 50 lbs). Do not use a plastic outlet box. Attach the mounting bracket using the ceiling outlet box's hardware.
6. If you are mounting the fan on a joist, make sure it is strong enough to support the rotating fan (at least 50 lbs).
7. After installing the fan, make sure all the connections are secured so that the fan won't fall.
8. Do not insert anything between fan blades while the fan is operating.
9. Turn the fan off and wait for it to stop before reversing fan's rotating direction.
10. To reduce the risk of electrical shock and personal injury, do not install the fan on a sloped ceiling and do not use this fan with any solid-state fan speed control device, or rheostat. You must install the outlet box using the two steel screws and lock washers coming with the fan.

BEFORE YOU START

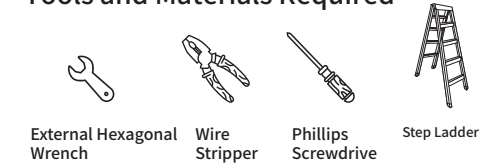
Contact a licensed electrician if you are not good at performing electrical work. It's the licensed electrician who installs the fan, if required by the local code. Do not use the fan with a dimmer switch. Turn off power at breaker.

BEFORE YOU START

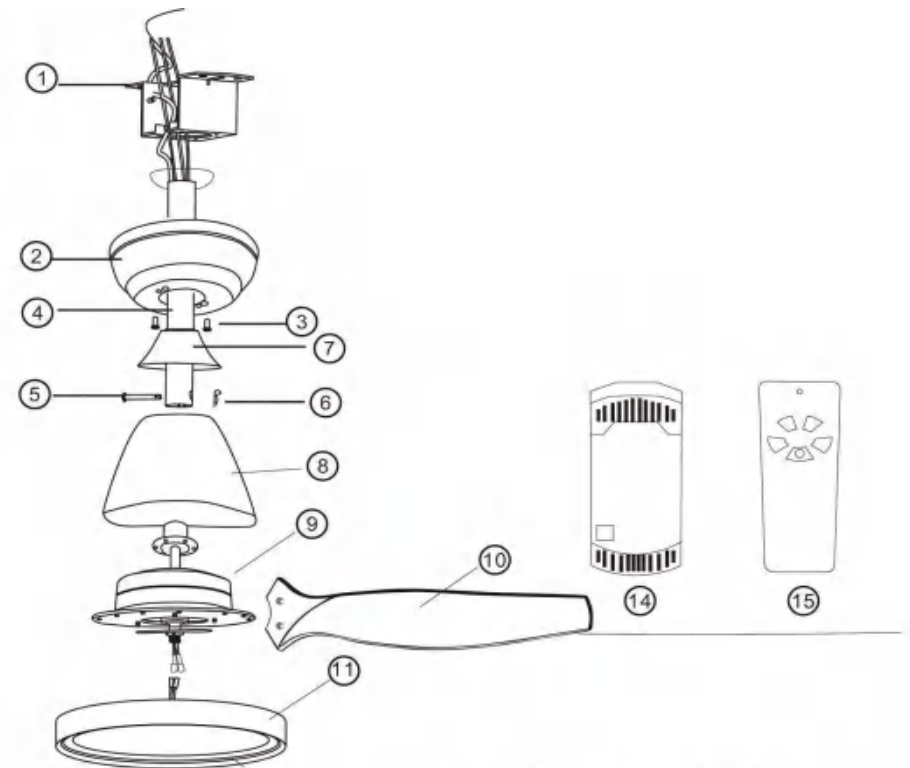
Contact a licensed electrician if you are not good at performing electrical work. It's the licensed electrician who installs the fan, if required by the local code. Do not use the fan with a dimmer switch. Turn off power at breaker.



Tools and Materials Required

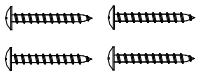
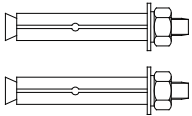
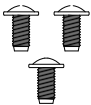
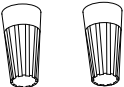


Product Instruction



- | | |
|--|----------------|
| 1. Mounting Bracket | 7. Yoke cover |
| 2. Canopy | 8. Motor house |
| 3. Canopy Screws | 9. Motor |
| 4. Downrod
(Short rod 10cm)
(Long pole 20cm) | 10. Blade |
| 5. Cross pin | 11. Lamp panel |
| 6. Cottre pin | |

SCREWS BAG

Item no.	Reference Image	Qty.	Item no.	Reference Image	Qty.
1	 <p>ST5x35 Setscrew</p>	× 4			
2	 <p>Expansion Screw</p>	× 2			
3	 <p>Screws for Blades</p>	× 10			
4	 <p>Wire Cap</p>	× 2			

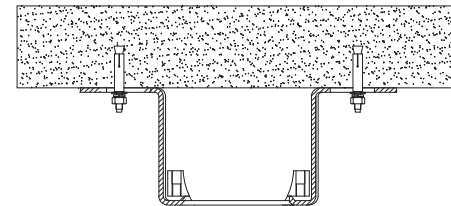
INSTALLING THE FAN

Tools Required: Phillips screwdriver, a pair of pliers, straight slot screwdriver, adjustable wrench, step ladder, and wire cutters.

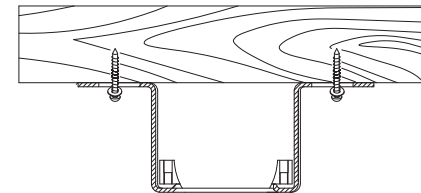
INSTALLING THE MOUNTING BRACKET

The ceiling fan must be installed in the location where there is 12" (300mm) spacing from the tips of all blades to the nearest objects or walls. REMEMBER to turn off the power before hanging the fan. Follow the instruction below to hang your fan properly:

1. For concrete ceiling, drill two holes in the ceiling and secure the mounting bracket to the ceiling with two $\Phi 0.32"$ (8mm) (distance between the two holes should be appropriate) expansion screws, flat washers nuts provided and tighten with a spanner.

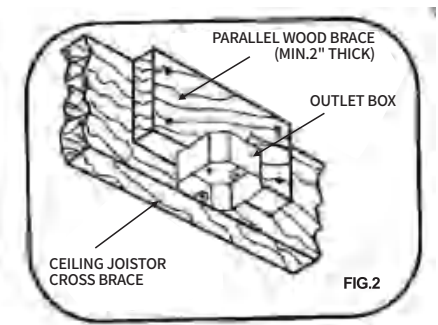
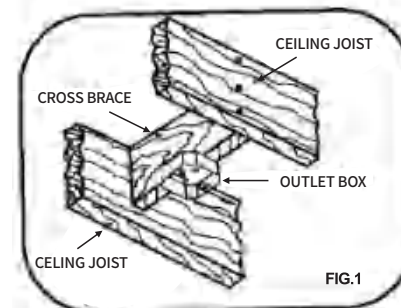


2. For wood ceiling, secure the mounting bracket to the ceiling that is capable of carrying a load of at least 100lbs (45kgs) with two long mounting screws and washers provided. Be sure at least 0.12" (30mm) of the screw is threaded into the support.

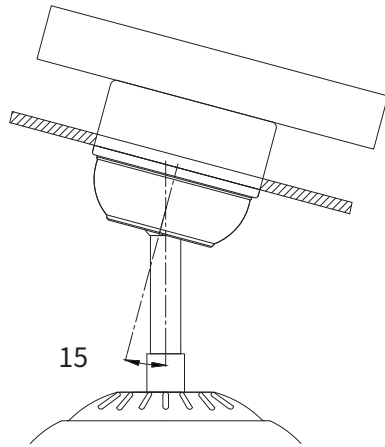


3. For installing the outlet box, secure it directly to the building structure. Use appropriate fasteners and building materials. The outlet box and its support must be able to fully bear the moving weight of the fan (at least 100lbs). Use a UL listed metal outlet box instead of plastic ones.

Figure 1& 2

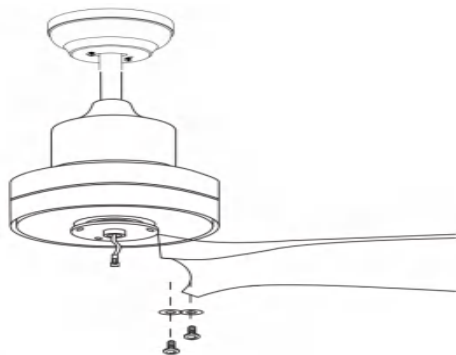


4. Refer to the Fig. on the right to mount when the ceiling is angled (Max. 15°).



INSTALLING THE BLADE

- 1) Attach blade brackets to blades using the blade bracket screws and metal or fabric washers.
- 2) Assemble the blade assembly with the screws provided.

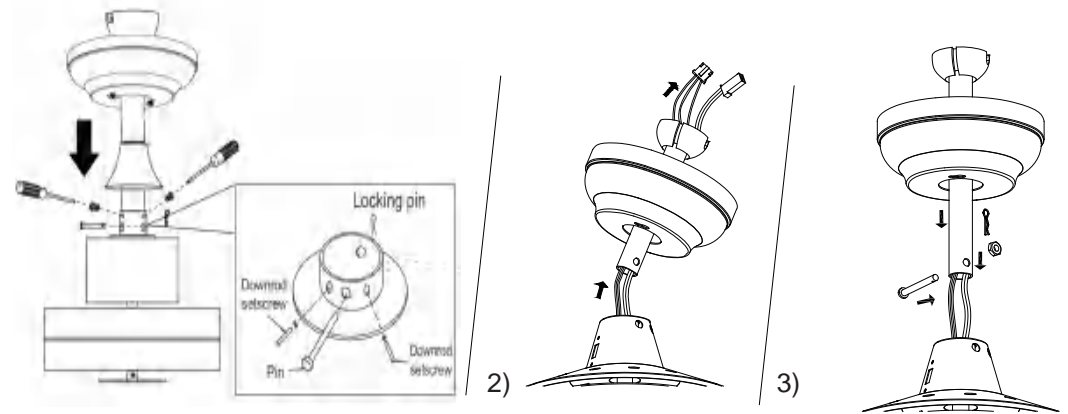


Phillips
screwdriver

5

INSTALLING THE ROD

1. Thread the suspender through the suspended clock and coupling cover.
2. Then insert the tail of the suspender from the lifting head of the motor.
3. After the lateral pin is threaded out from the suspended head position, insert R type pin.
4. Tighten the lifting head screws.
5. Hang the fan of the hanging pipe into the hanger.

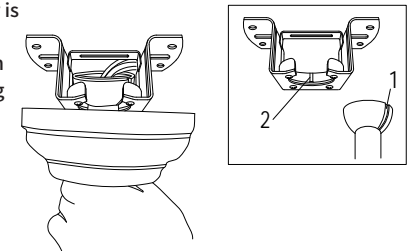


INSTALLING THE FAN TO MOUNTING BRACKET ON CEILING

⚠ WARNING: To avoid possible electrical shock, be sure the electricity is turned off in the main fuse box before wiring.

Carefully lift the fan assembly onto mounting bracket and rotate the fan until the notch on downrod ball "1" engages the ridge on the mounting bracket "2".

This will allow for hands free wiring.



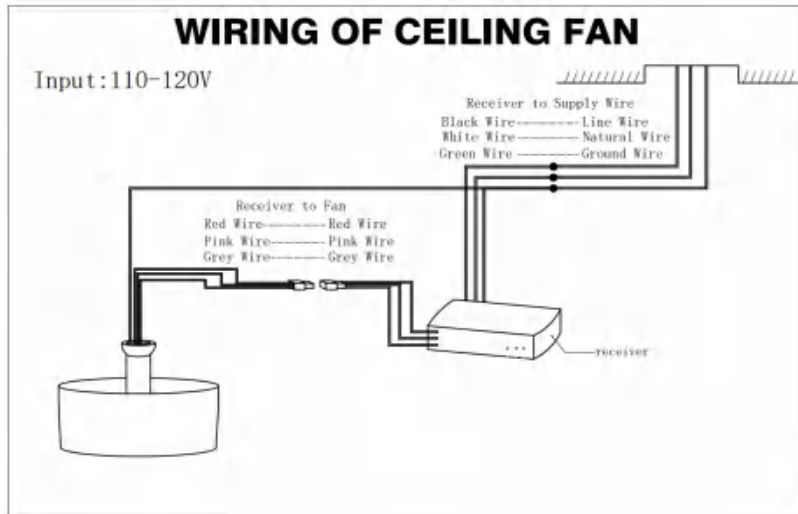
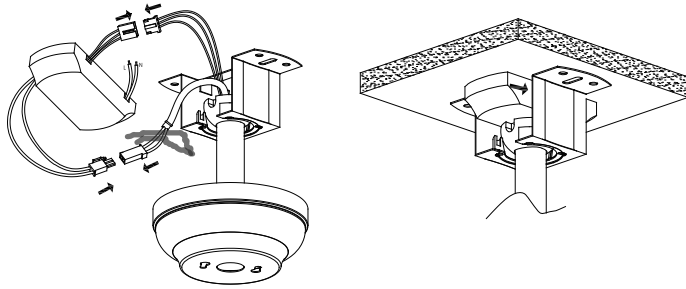
6

ASSEMBLY INSTRUCTIONS

MAKE THE ELECTRIC CONNECTIONS

WARNING: To avoid possible electrical shock, be sure the electricity is turned off in the main fuse box before wiring.

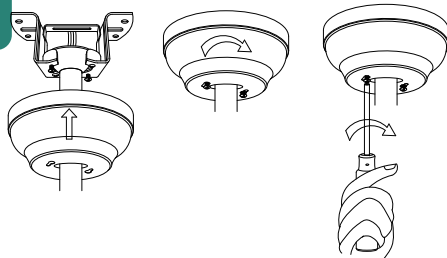
1. Connect the fan to the remote control. The fan's 3P plug should insert into the the remote control's 3P plug.
2. Connect the remote control to the house's power line, then connect the remote control's white wire to the house's white wire. Connect the remote control's black wire to the house's black wire, and connect all the fans' green ground wires to the house of ground wires. Secure wires.
3. Connect the fan motor to the lamp: connect the fan motor's 1P white wire to the lamp's 1P white wire. Connect the fan motor's 1P blue wire to the tool's 1P blue wire.



INSTALLING THE CANOPY

Loosen the 2 screws on the bottom of mounting bracket but do not remove them. Raise the canopy up and align the keyholes on the bottom of the canopy with the 2 screws on the bottom of mounting bracket.

Rotate the canopy until both screws from the mounting bracket drop into the slot recesses. Tighten screws.



7

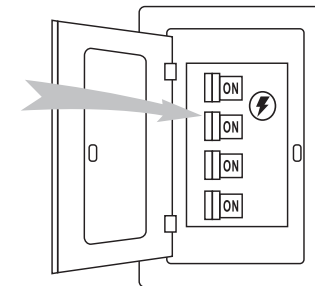
ASSEMBLY INSTRUCTIONS

INSTALLING THE KIT



Attach the decorative cover to the fan blade and secure it with screws

Installation is now finished. Turn on the power switch as Fig 7. Then the fan lights are on. Test and pair your fan immediately using the remote control.



8

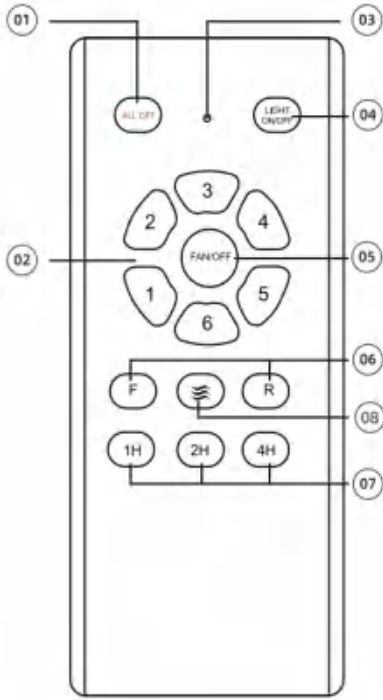
REMOTE CONTROL SETTING AND OPERATION

- 1. Restore electricity to the outlet box by turning the electricity on at the main fuse box.
- 2. Remove the battery cover from the remote control transmitter, install the battery, and replace the cover.

Note: 1) Use two 1.5V battery to replace original one

- 2). If not used for a long period of time, remove the battery to prevent damage to the remote transmitter, and store the remote transmitter away from excess heat or humidity.

- 3. Remote control's functions are as follows, including controlling transmitter, fan speed and light.



- 1. Turn off all Loads
- 2. Fan Speed Control
- 3. LED Indicator Light
- 4. Turn On the Light
- 5. Fan Off (Include Wind Speed and Lights)
- 6. Fan Forward and Counter Rotation Control
- 7. Fan Timing Control
- 8. Naturl Wind

IMPORTANT:PAIRING BETWEEN REMOTE AND RECEIVER

1. If the remote control is used normally, there is no need to perform code matching operations;
2. If the following three situations occur, try to match the code:
 - ① When the remote control cannot control the fan normally;
 - ② When not in use for a long time and the remote control cannot control the fan;

Code pairing method: First turn off the power, then turn it back on after 10 seconds. Once the light is on, quickly press and hold the "2H" button for 5 seconds

IMPORTANT NOTES

The first step of pairing must be performed within 30s after turning on the power supply.

- 1.(a)When pairing multiple fans, please ensure the isolation switch or the power supply to the first installed fan is turned off prior to pairing further fans. Please pair one fan at a time. (b)Please ensure the isolation switch is kept "ON". The isolation switch can not act as a light switch as this will impair the remote receiver.
- 2.When the transmitter's functions are disabled, please check the battery orientation and power level. Low battery voltage will affect your transmitter's functions and your fan's operation.Other remote controls nearby using the same frequency may interfere with your fan's receiver.
- 3.Please remove batteries from the transmitter if not used for a long period of time.
- 4.Remote supports 100w maximum lighting.

IMPORTANT REMINDERS

- 1.Note: Receiver must be correctly installed on the fan's mounting bracket.
- 2.When the transmitter cannot control the receiver, please check the battery level.
- 3.When the transmitter cannot control the receiver, please check if similar remote controls your fan nearby and interferes with each other.
- 4.Battery's low power will affect the transmitter's sensitivity and the signal reception accordingly. You must replace the battery if its power is low.
- 5.Please take the battery out of the transmitter to avoid battery leaks when not used for a long time.
- 6.Isolation switch must be connected in the line.
- 7.When a blackout or otherwise circumstances happen, the light will work normally after the power restores.

Please make sure that the fan is powered off before cleaning or maintaining. LED lights are not removable or replaceable, they can only be used with the product.

⚠ WARNING: TO REDUCE THE RISK OF PERSONAL INJURY, DO NOT BEND THE BLADE ARM WHILE INSTALLING, BALANCING THE BLADES, OR CLEANING THE FAN. DO NOT INSERT OBJECTS BETWEEN ROTATING FAN BLADES.

NOISE: This is normal to hear occasional small noises, when it is quiet (especially at night). Because slight power fluctuations and frequency signals superimposed in the electricity for off-peak hot water control may change fan motor noise. Please allow a 24-hour "breaking-in" period, most noises of a

Maintenance and Cleaning

- 1.Check the support connections, brackets, and airfoil attachments twice a year to ensure they are secure, because some connections may loose over time. It is not necessary to remove the fan from the ceiling.
- 2.Clean your fan periodically. Use only a soft brush or lint-free cloth to avoid scratching the finish. The plating is sealed with a lacquer to minimize discoloration or tarnishing.
- 3.(Optional) Apply a light coat of furniture polish to the wood blades.
- 4.(Optional) Cover small scratches with a light application of shoe polish.

Do Not

- 1.Don't use water to clean. Water may damage the motor and the wood, or even possibly cause an electrical shock.
 - 2.Don't apply oil to your fan or motor, as the motor has permanently lubricated sealed ball bearings.
- Note: Power off the fan before maintaining or cleaning the fan.