



Medley®

36" x 34" Vikrell® shower, center drain
72400100



Features

- 3-1/8" (79 mm) threshold
- Tongue-and-groove modular design allows for easy installation during any phase of construction
- Smooth wall design with molded-in shelves and shaving ledges
- Easy-to-clean, durable high-gloss finish

Material

- Compression-molded from our exclusive solid Vikrell® material

Installation

- Alcove
- Center drain
- Caulk-free installation

Recommended Products/Accessories

- 1500D-36 Framed pivot shower door
- 80001012 12" straight grab bar
- 80001018 18" straight grab bar
- 80001024 24" straight grab bar
- K-23726 Drain treatment
- K-23733 Vikrell® cleaner

Included Components

- 72301100 36" x 34" Vikrell® shower base, center drain
- 72402100 36" Vikrell® shower back wall
- 72405100 34" Vikrell® shower end wall set



Codes/Standards

- CSA B45.5/IAPMO Z124
- ASTM E162
- ASTM E662
- HUD, UM Bulletin 73
- IAPMO Certification

STERLING® Vikrell® or Acrylic Baths and Shower Bases Ten-Year Limited Warranty

See website for detailed warranty information.

Available Colors/Finishes

Color tiles intended for reference only.

Color Code Description

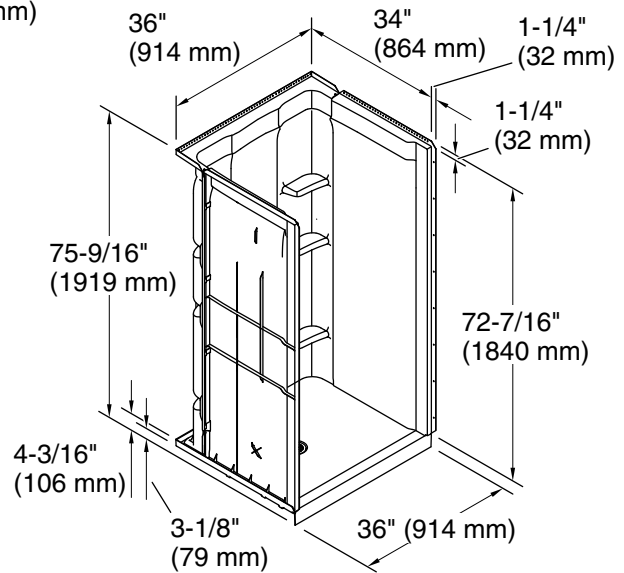
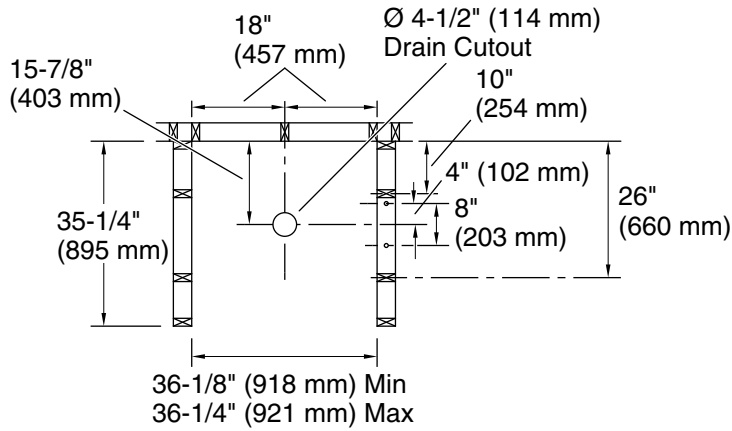
	0	White
--	---	-------

1-800-STERLING (1-800-783-7546)

Kohler Co. reserves the right to make revisions without notice to product specifications.

For the most current Specification Sheet, go to www.sterlingplumbing.com.

7-19-2024 23:35 - US/CA



Technical Information

All product dimensions are nominal.

Drain location:	Center
Weight:	94 lbs (42.6 kg)
Minimum flat for door:	2-1/2" (64 mm)
Maximum door height:	70-3/4" (1797 mm)
Maximum door width:	33-5/8" (854 mm)

Notes

Install this product according to the installation instructions.
Studs should be positioned roughly as shown.