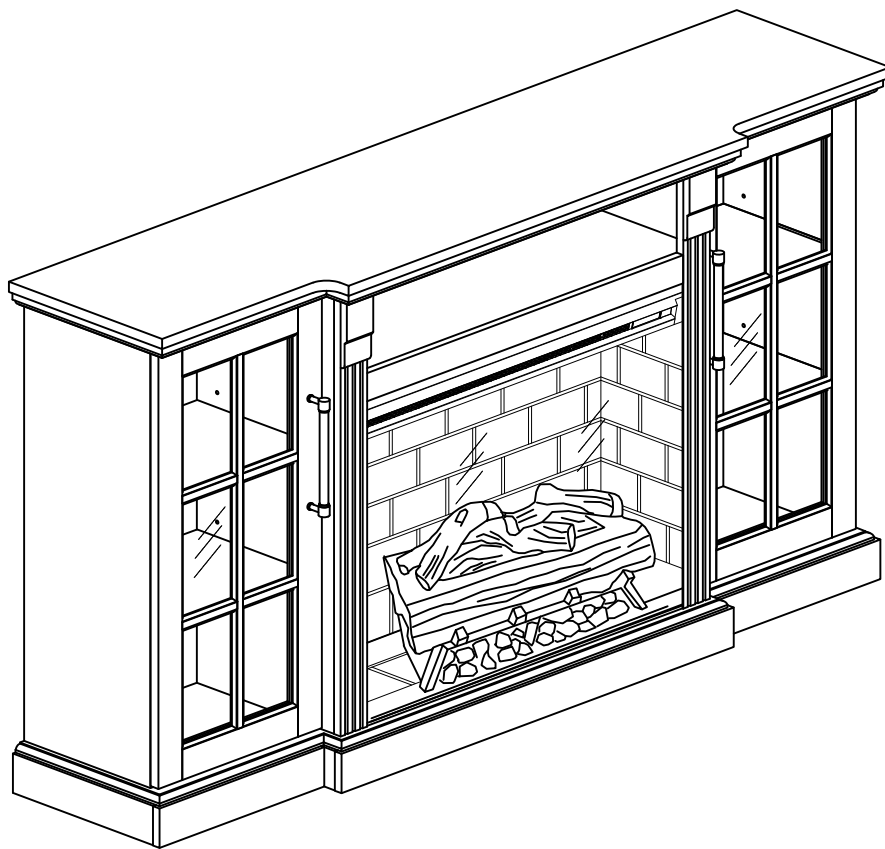


**65" ELECTRIC FIREPLACE MEDIA ENTERTAINMENT
TV STAND WITH LED LIGHTS AND CRACKLING SOUND**
ASSEMBLY, CARE & USE INSTRUCTIONS



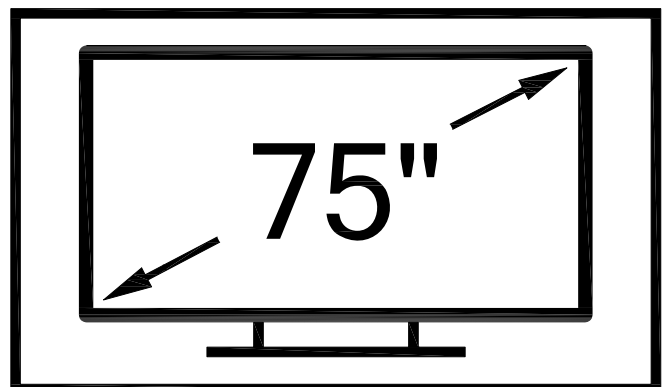
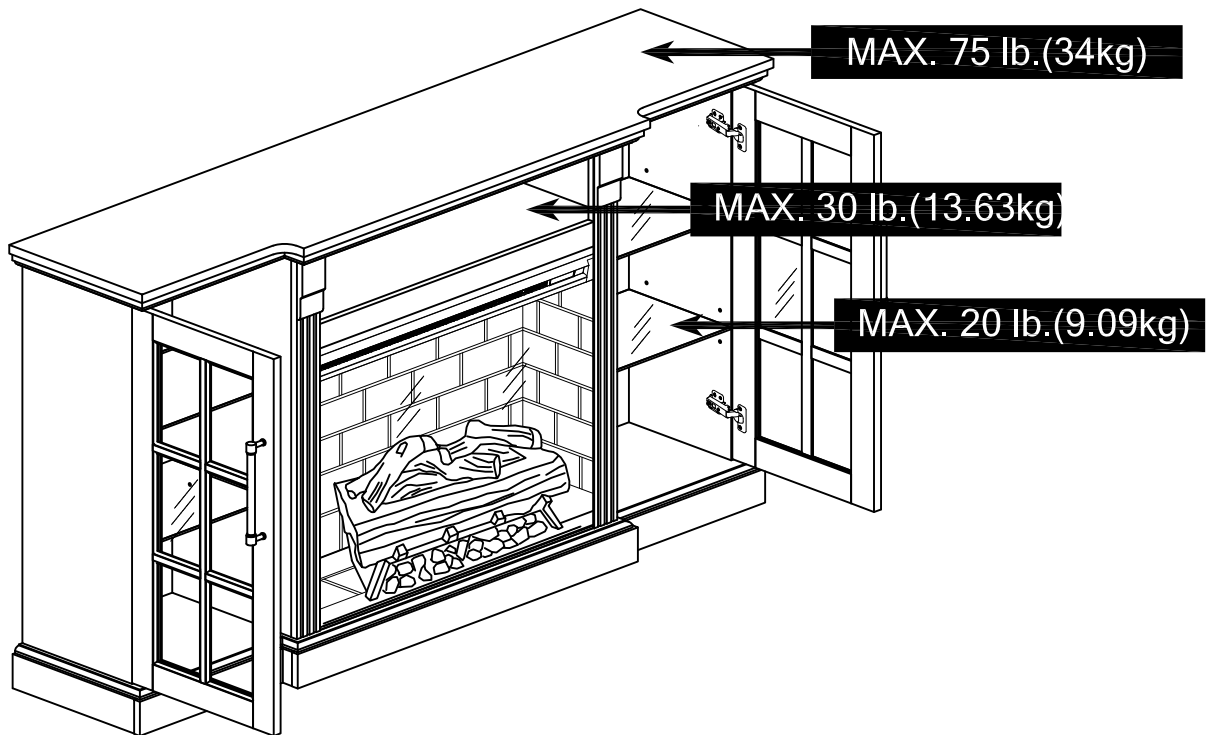
W127-2822-RB

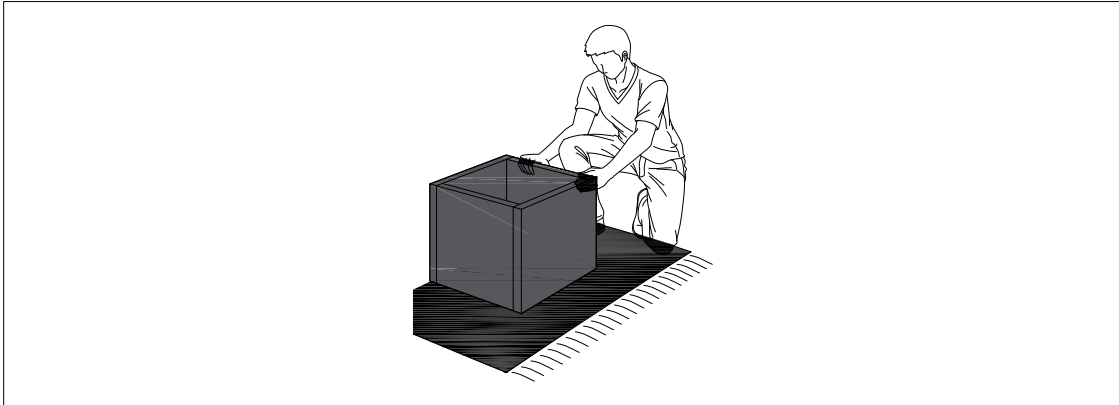
Thank you for your trust in purchasing our electric fireplace media mantel. We are committed to continuously developing quality products designed to enhance your home. For more information and to view our full range of products available for your home improvement needs.

CAUTION: This unit is intended for use only with the products and maximum weights indicated. Use with other products or products heavier than the maximum weights indicated may result in instability causing possible injury.
Note: Flat Panel TVs with base support should be placed squarely in the center of the stand with no overhang on any side.



Weight limitations are as follows:

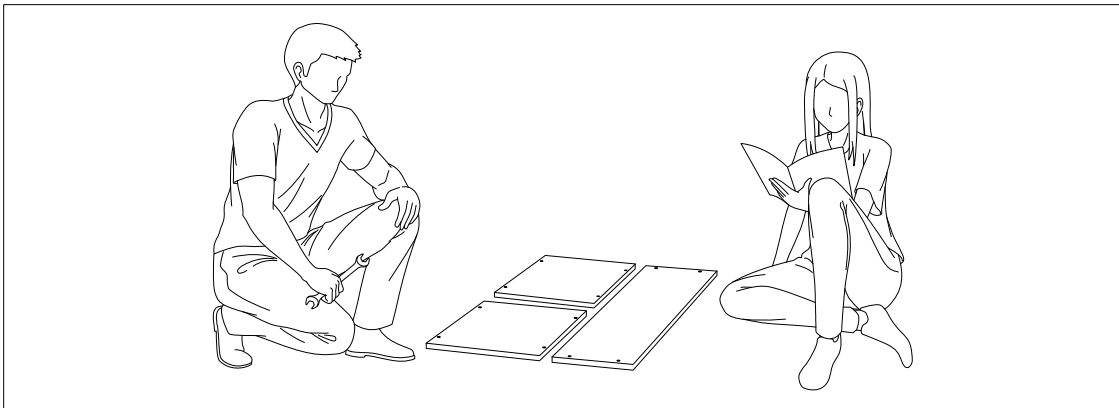




Assemble the furniture on an empty carton, carpet, or rug to prevent scratches or damage.

For safety, please keep pets and children away from the assembly area.

Ensure the product is fully assembled before use. If you are missing any hardware or products, do not use it until you have restored the missing parts.



This furniture requires 2 people for assembly.

Read this instruction manual prior to assembly to familiarize yourself with the various steps.

Lay out all components and hardware separately on a flat surface and make sure that no parts are missing or damaged before assembly.

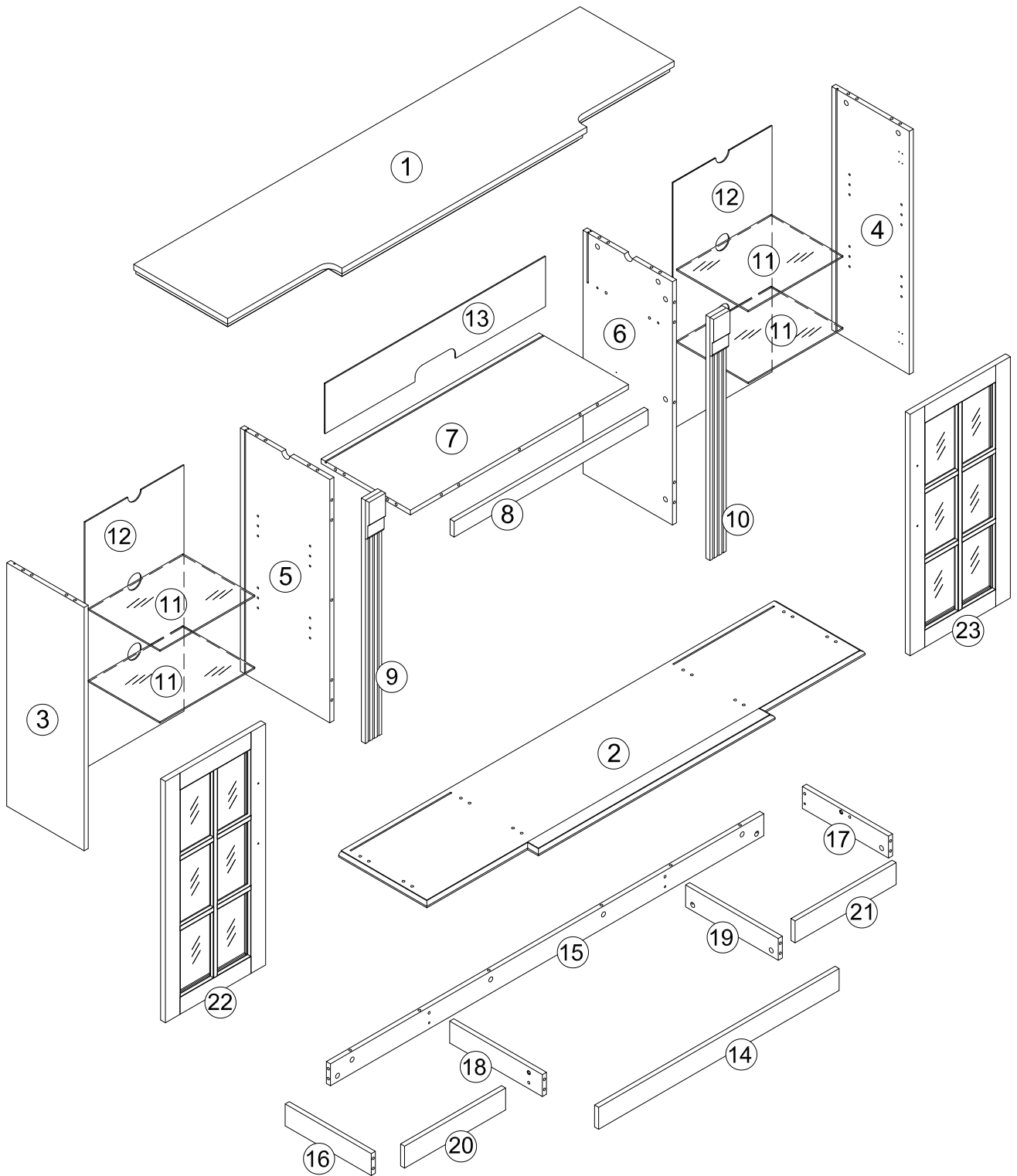
Hand tight all hardware and careful not to over tighten to avoid damaging the product.

CAUTION

There are small components used in the construction of this product. Loose items should be kept away from pets and children to avoid a choking hazard.

Keep all plastic bags and packaging film away from pets and children to avoid suffocation

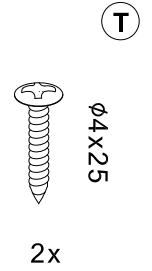
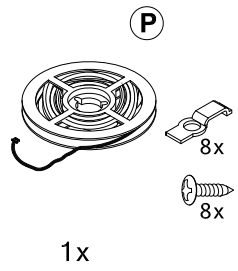
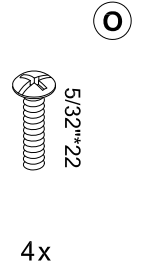
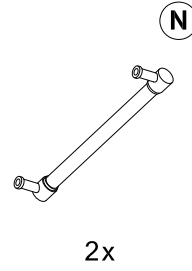
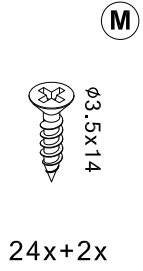
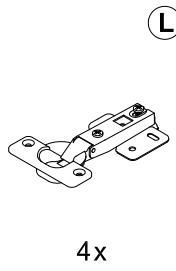
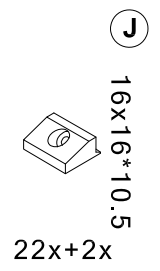
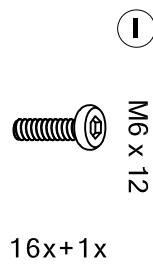
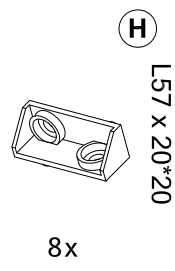
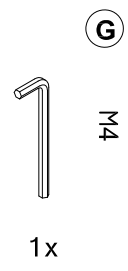
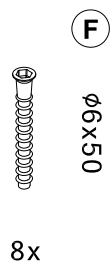
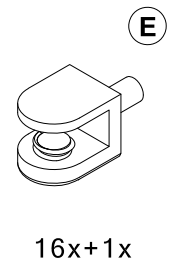
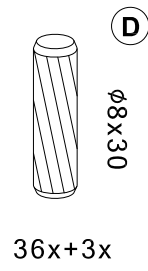
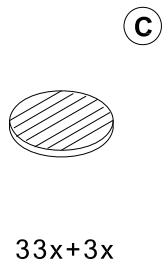
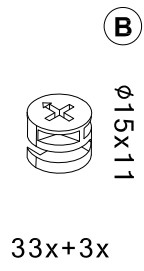
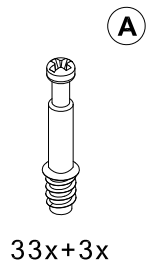
PARTS IDENTIFICATION



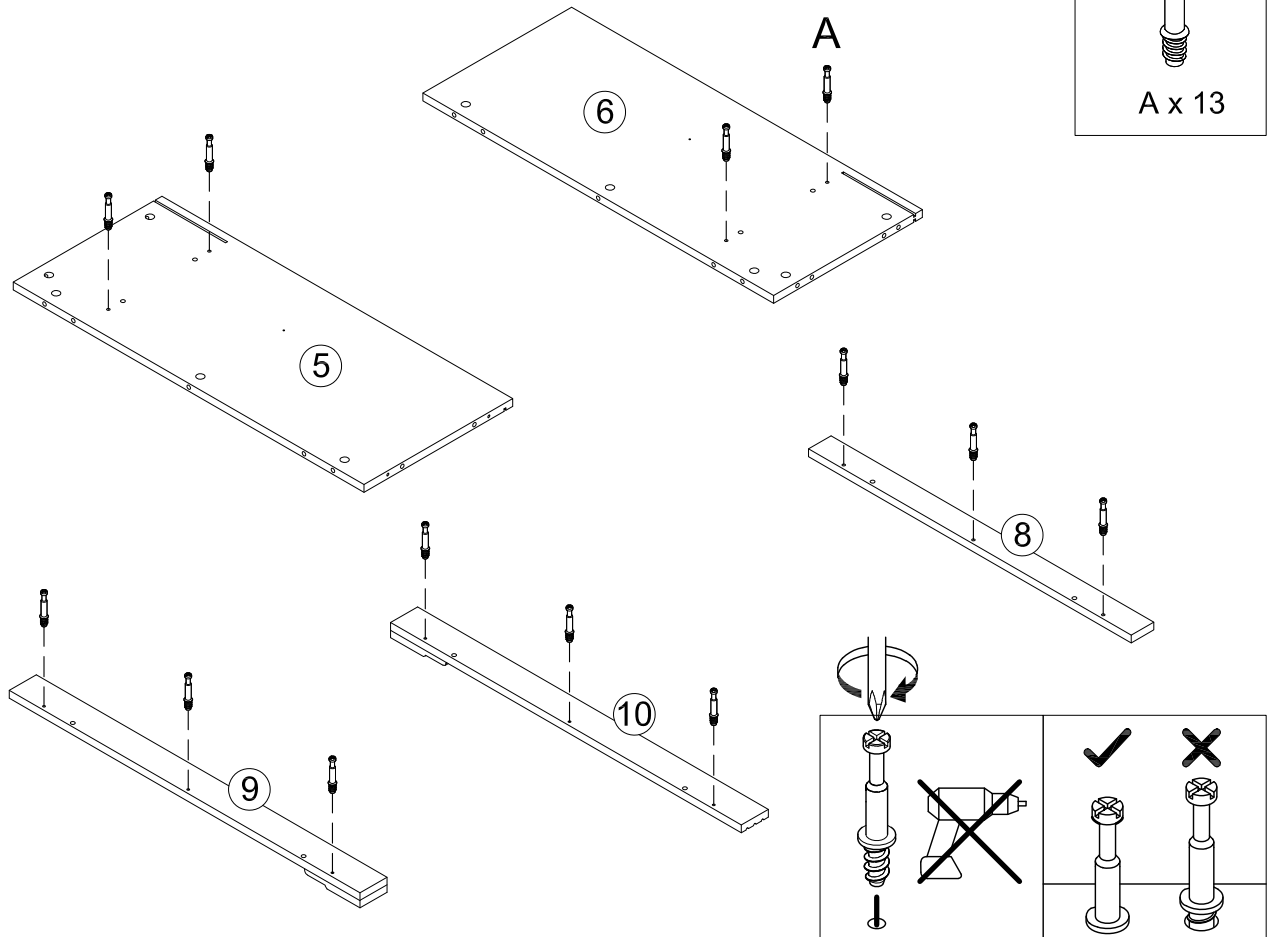
Package wood part

CODE	DESCRIPTION	QTY
1	Top Panel	1
2	Bottom Panel	1
3	Left Lateral Panel	1
4	Right Lateral Panel	1
5	Left Medial Panel	1
6	Right Medial Panel	1
7	Center Panel	1
8	Crossbar	1
9	Left Side Surround Panel	1
10	Right Side Surround Panel	1
11	Glass Shelf Panel	4
12	Bottom Back Panel	2
13	Upper Back Panel	1
14	Front Base Panel	1
15	Back Base Panel	1
16	Left Base Panel	1
17	Right Base Panel	1
18	Left Mid Base Panel	1
19	Right Mid Base Panel	1
20	Left Front Base Panel	1
21	Right Front Base Panel	1
22	Left Door Panel	1
23	Right Door Panel	1

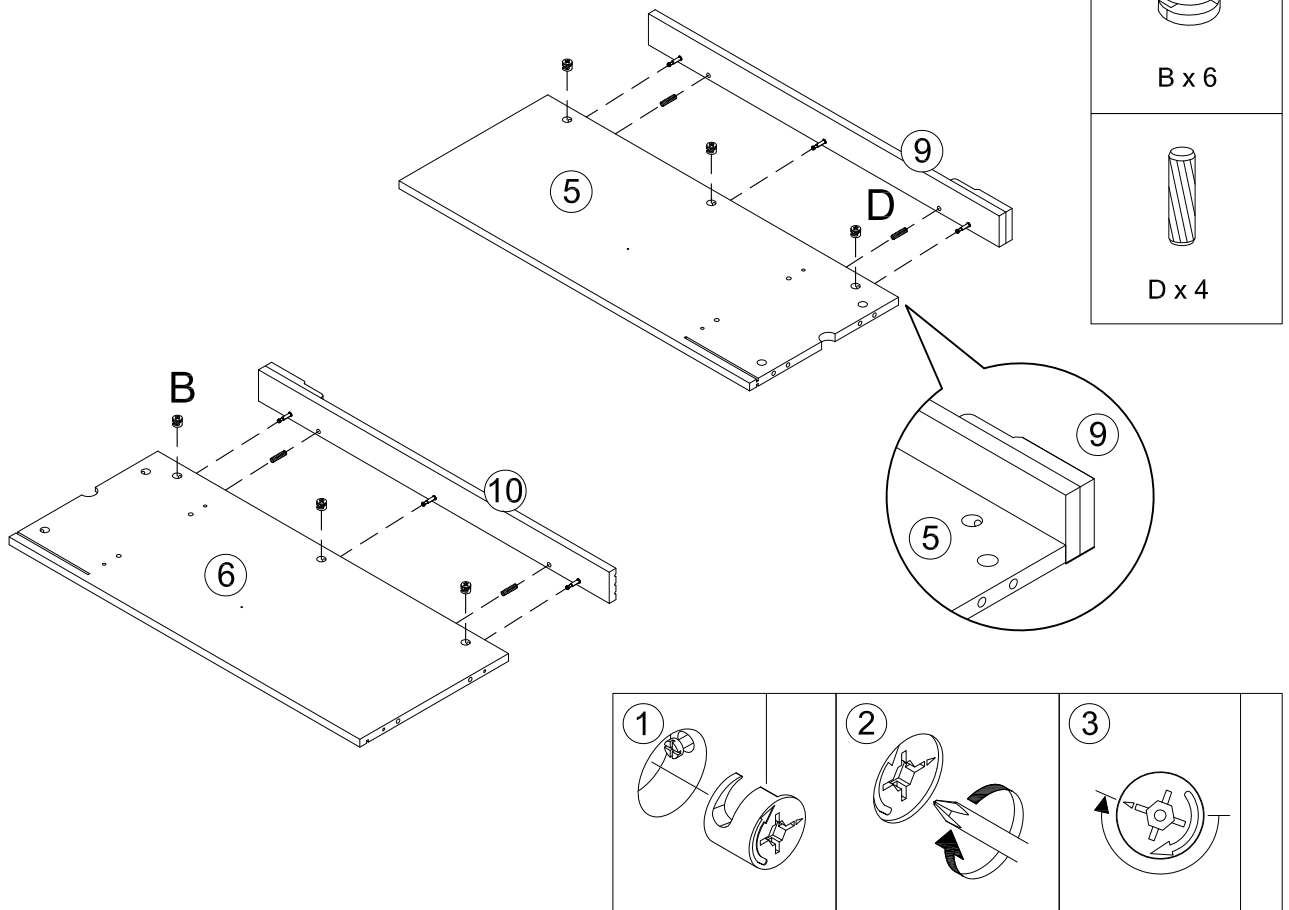
Package hardware part



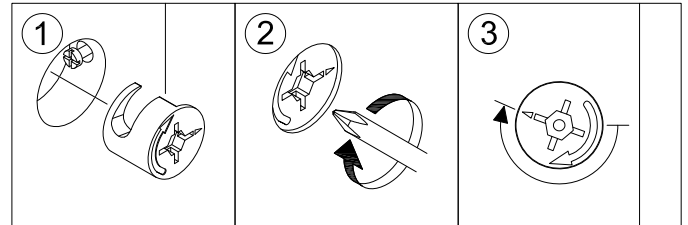
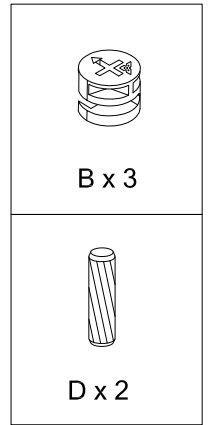
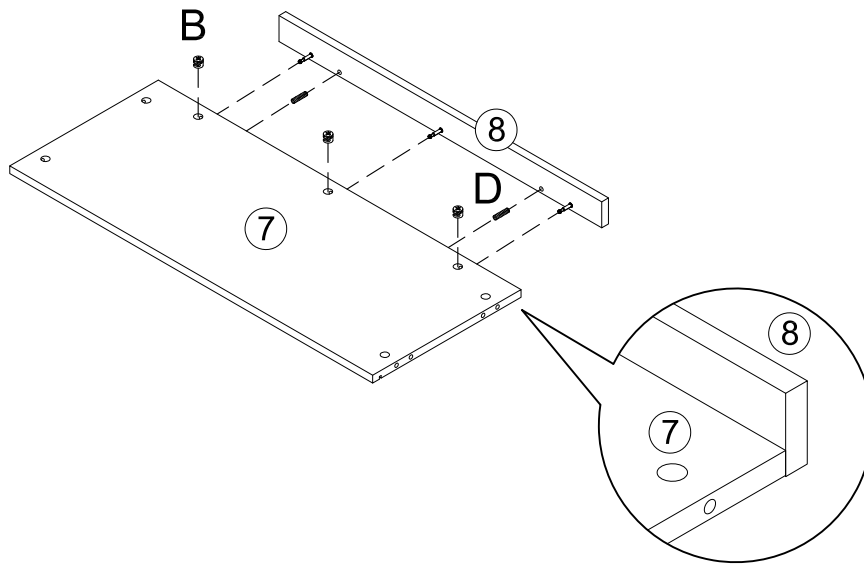
STEP 1



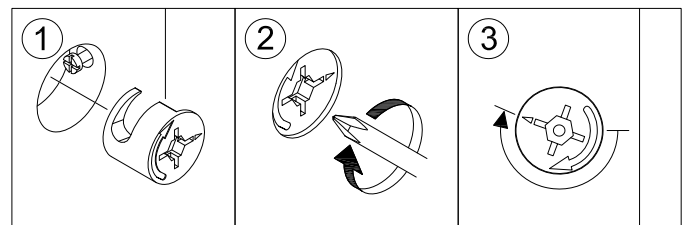
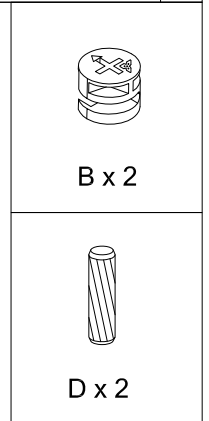
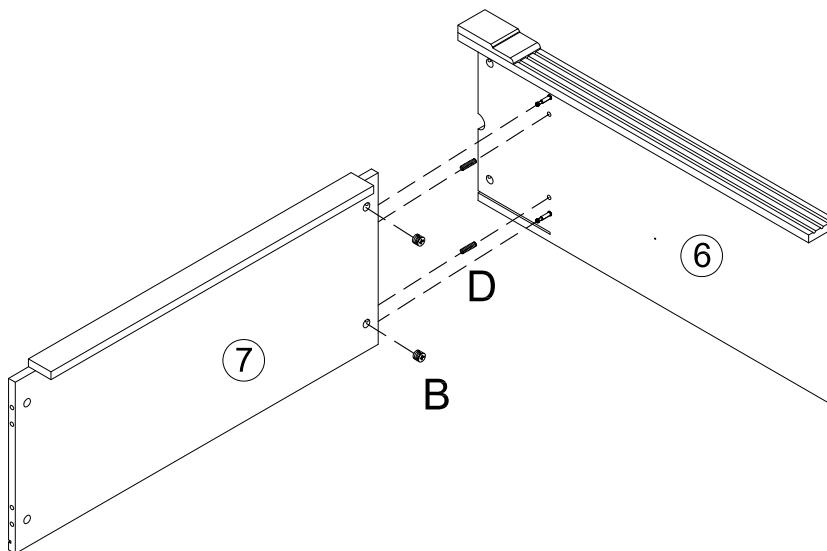
STEP 2



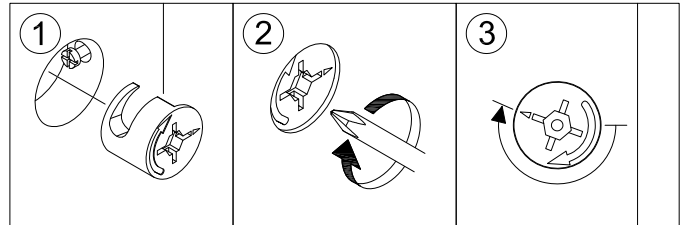
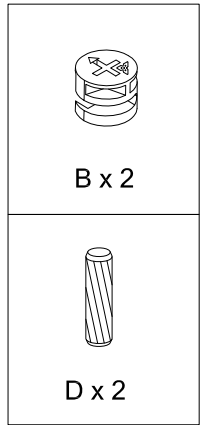
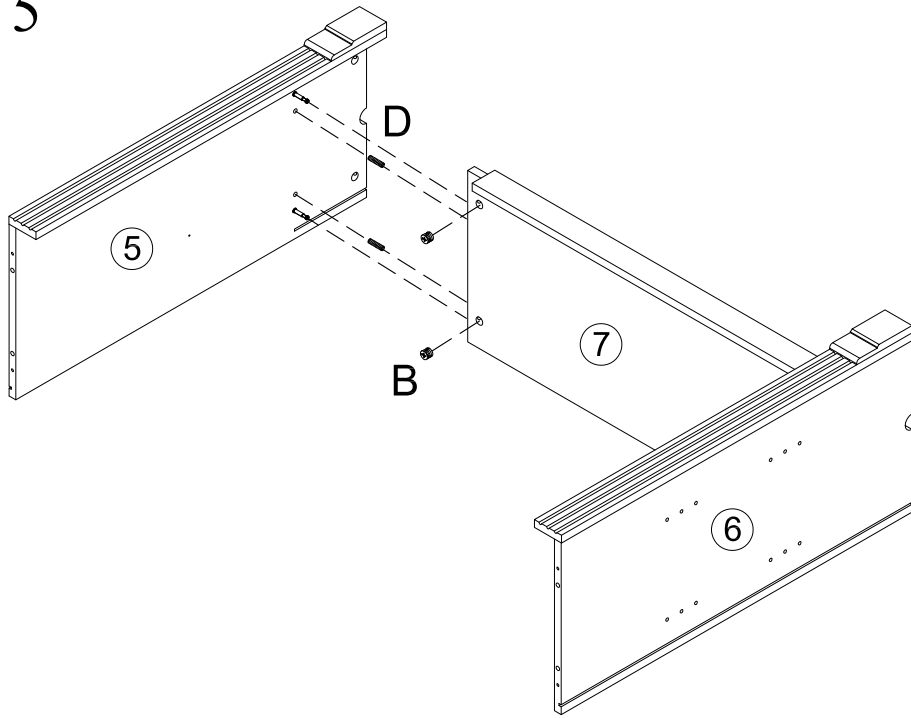
STEP 3



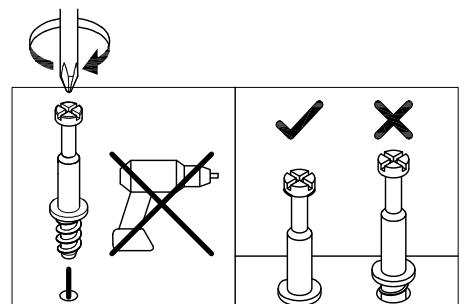
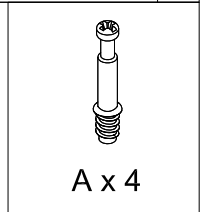
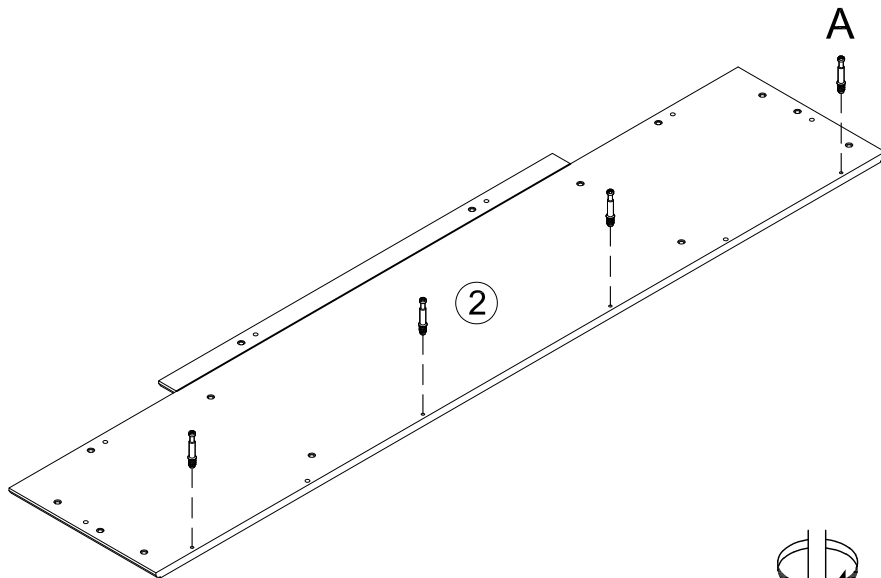
STEP 4



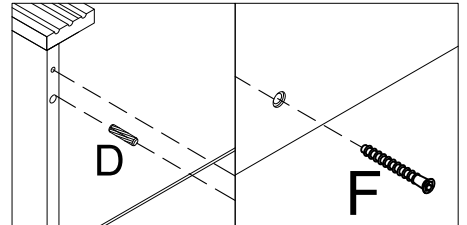
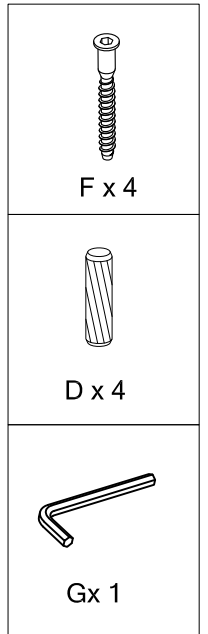
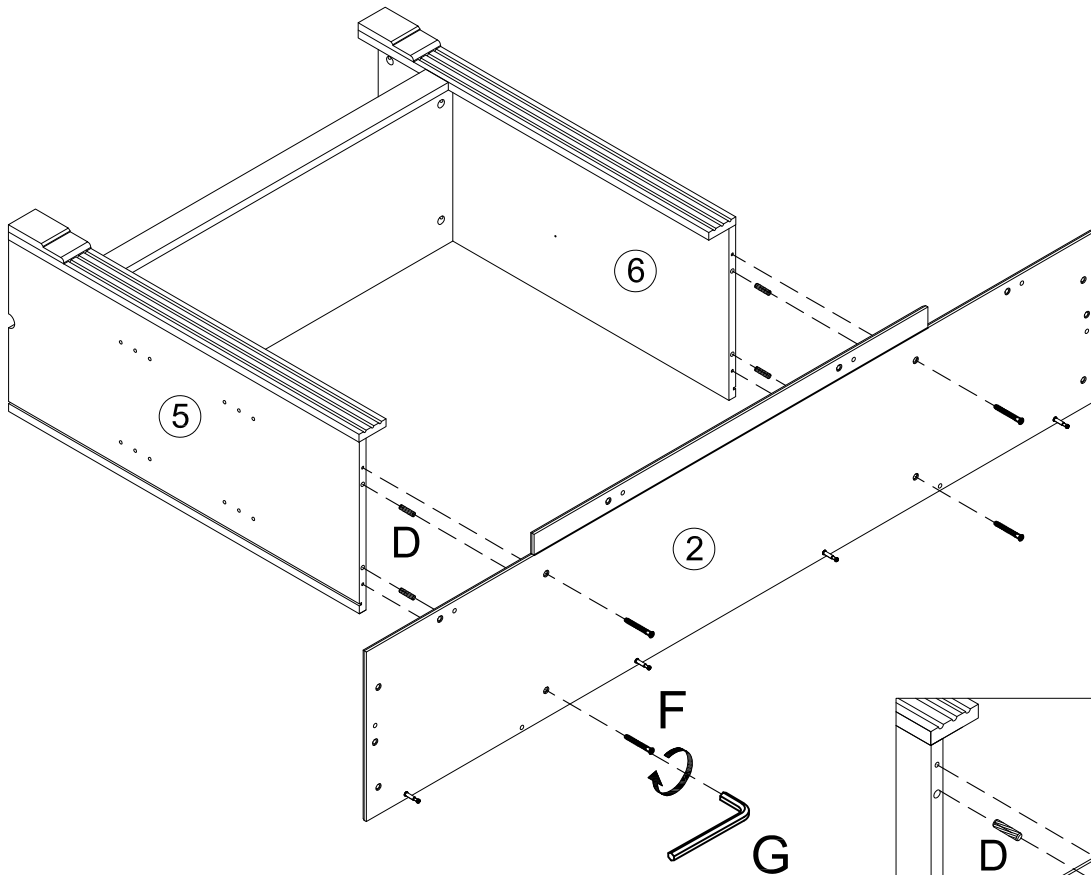
STEP 5



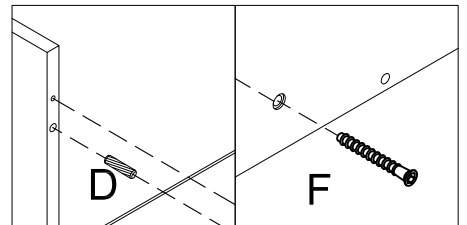
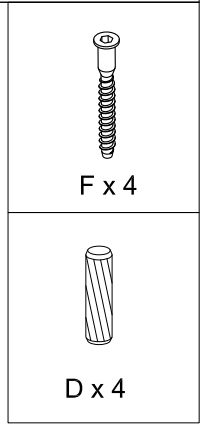
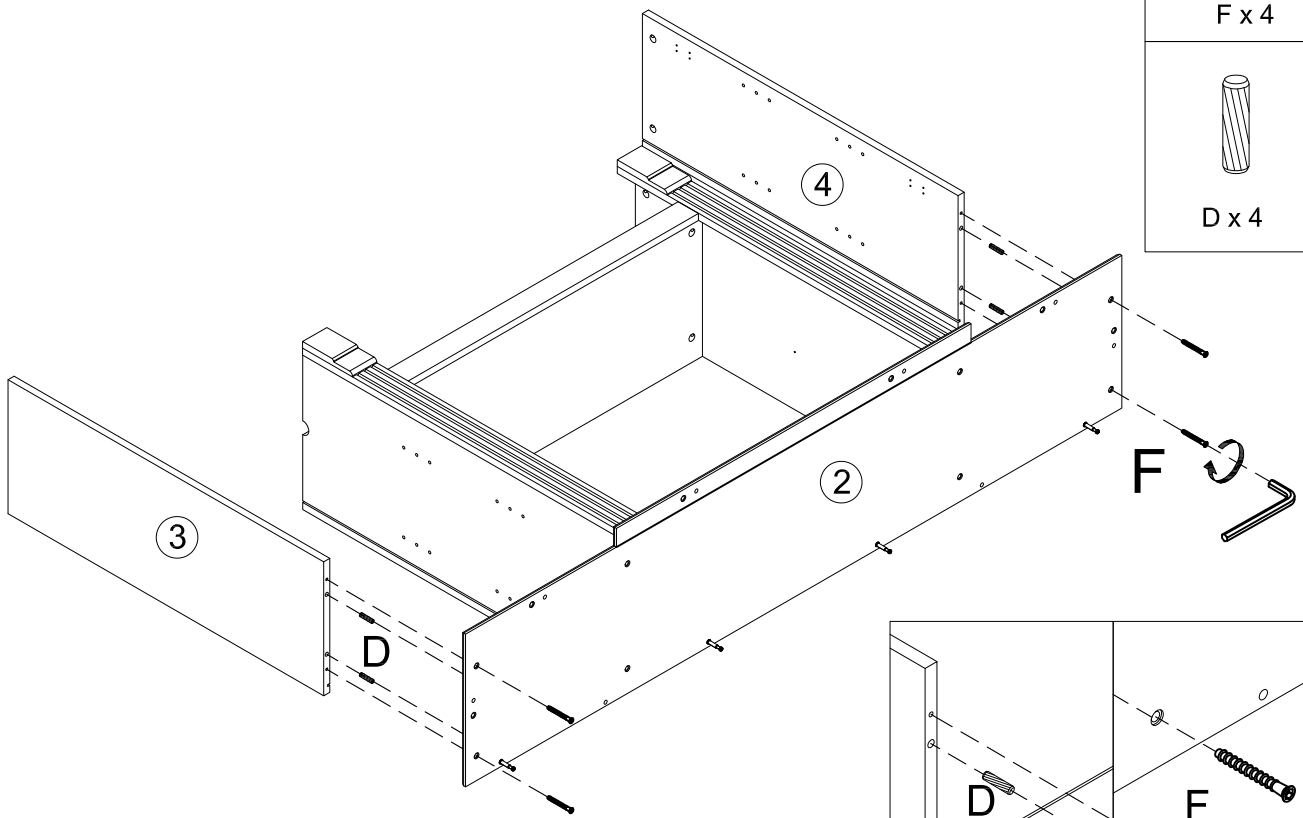
STEP 6



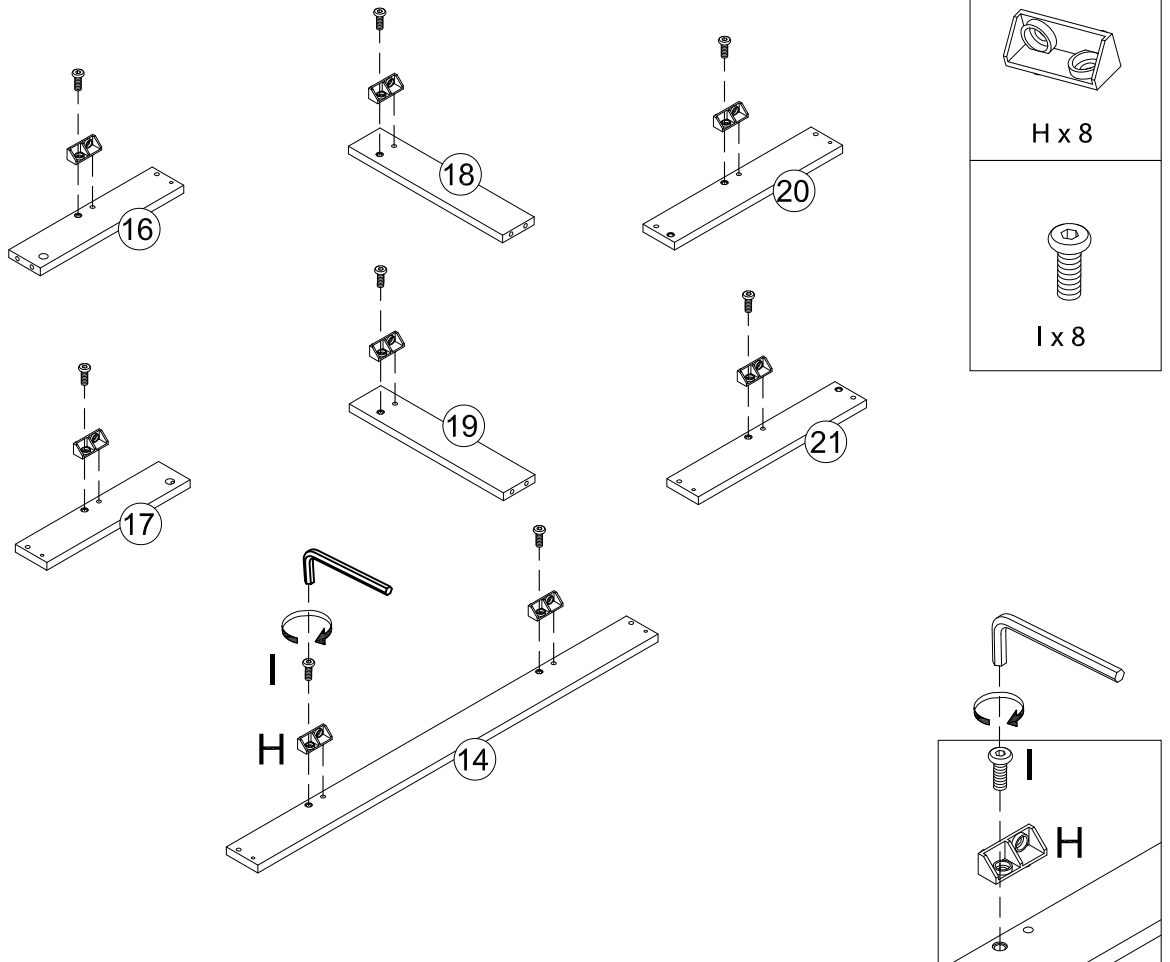
STEP 7



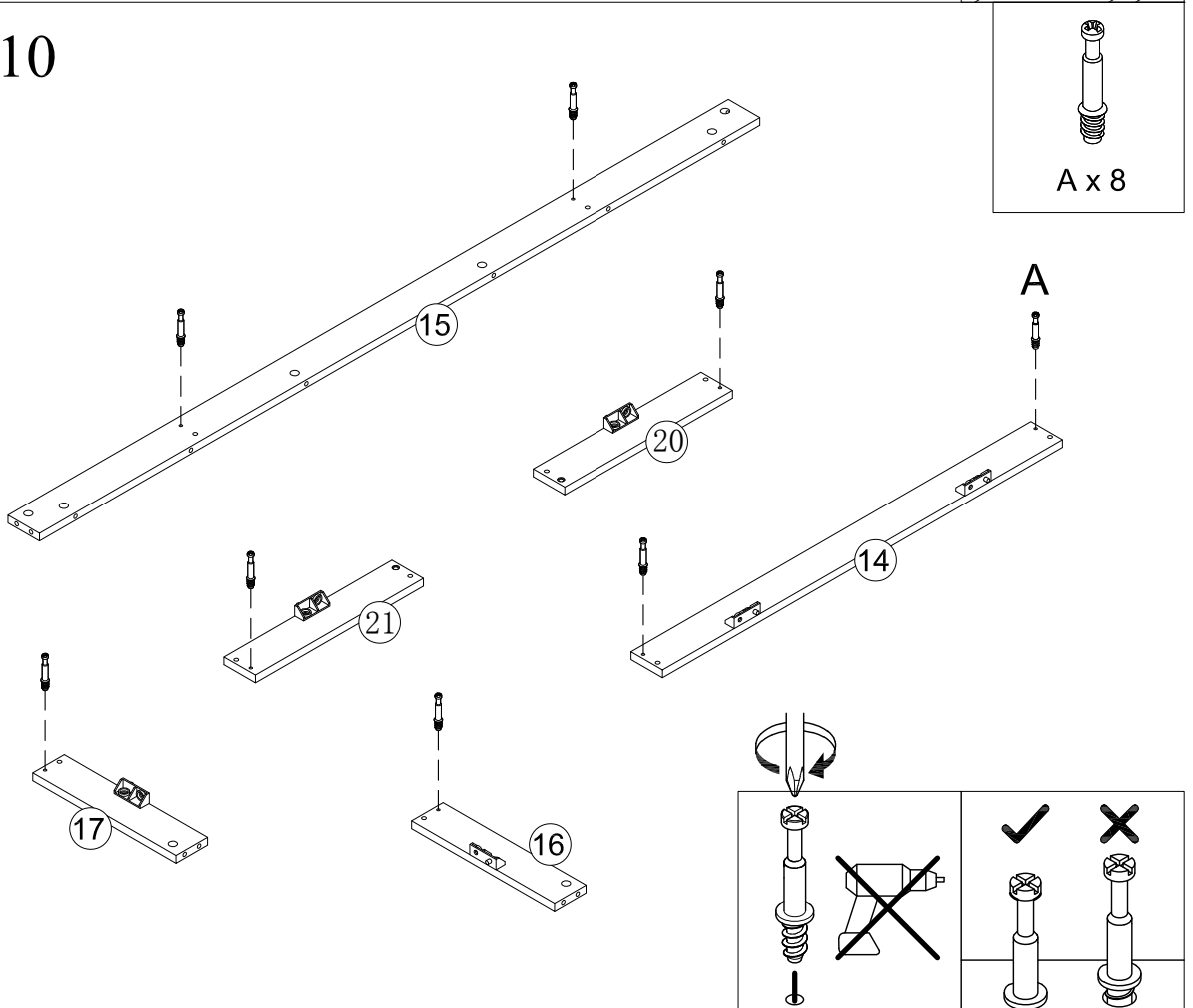
STEP 8



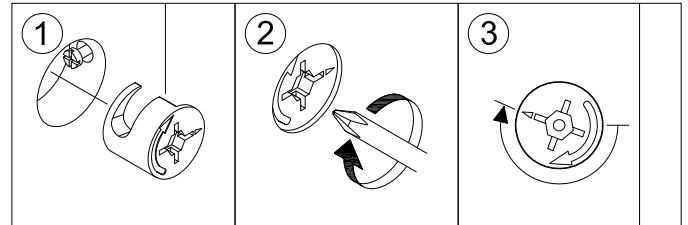
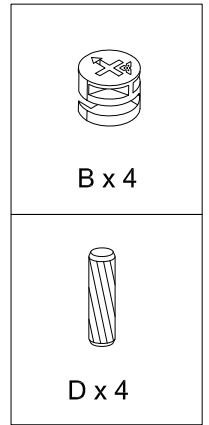
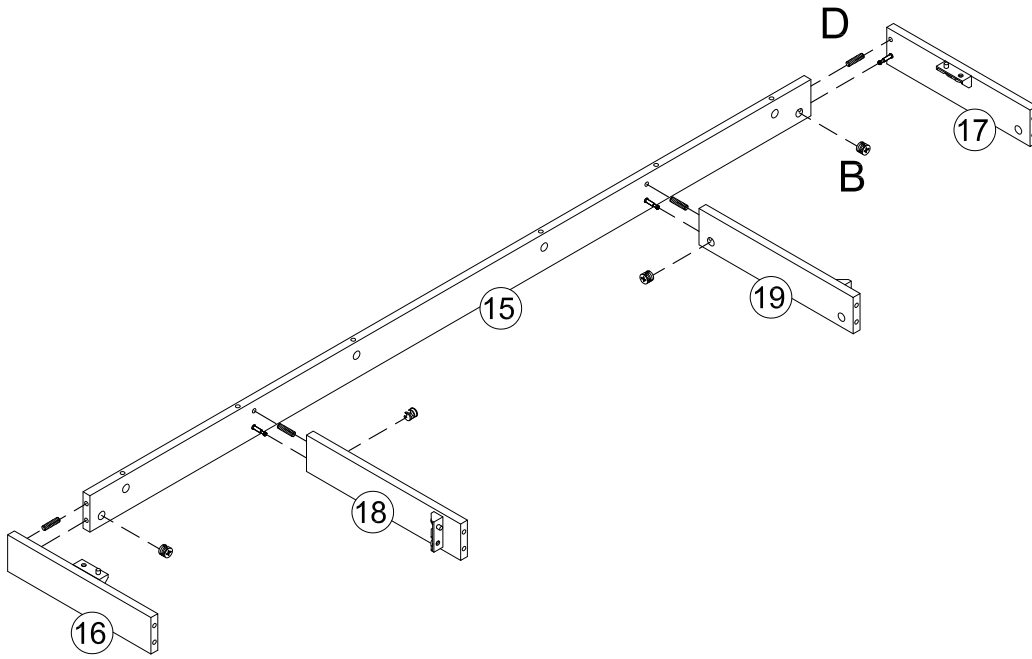
STEP 9



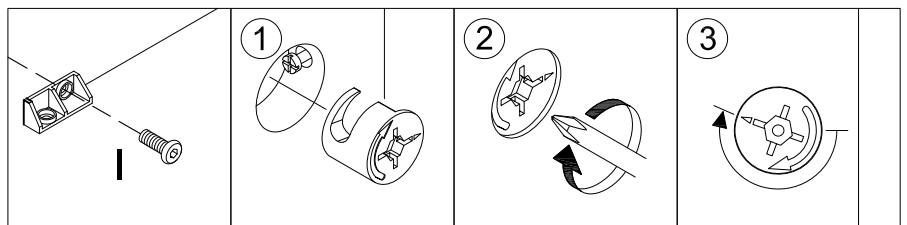
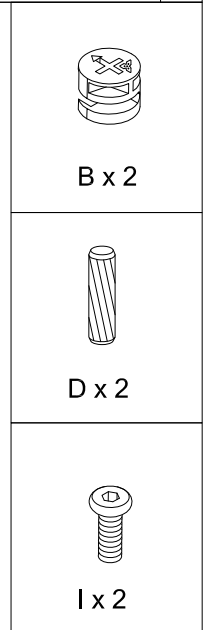
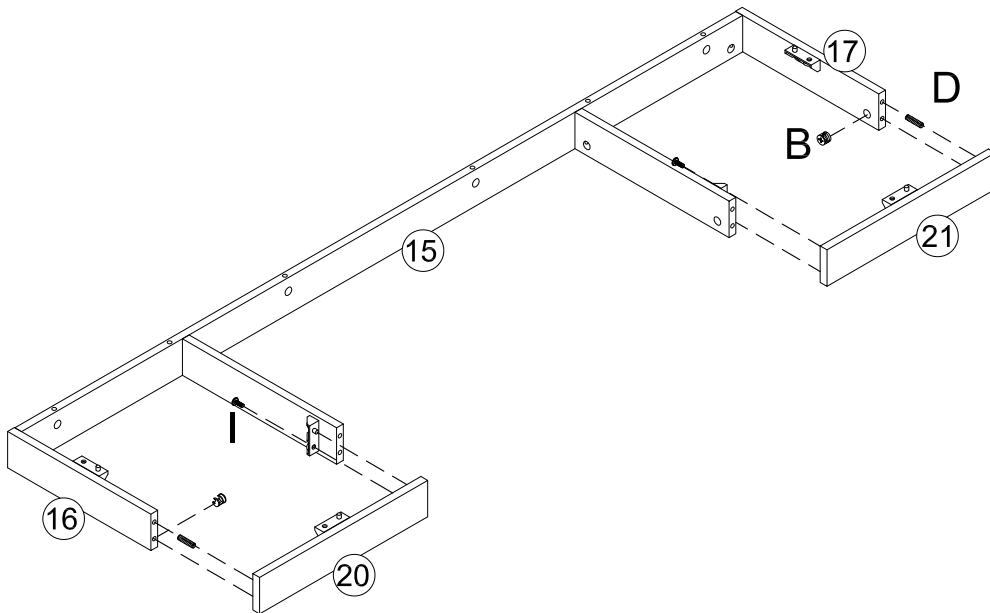
STEP 10



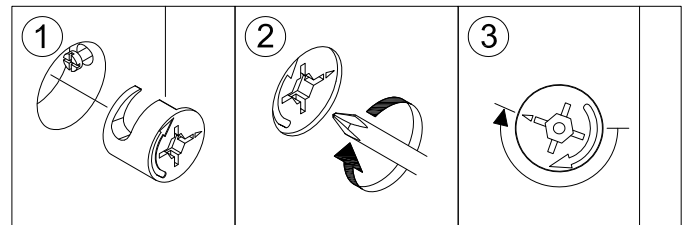
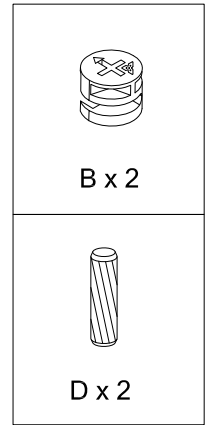
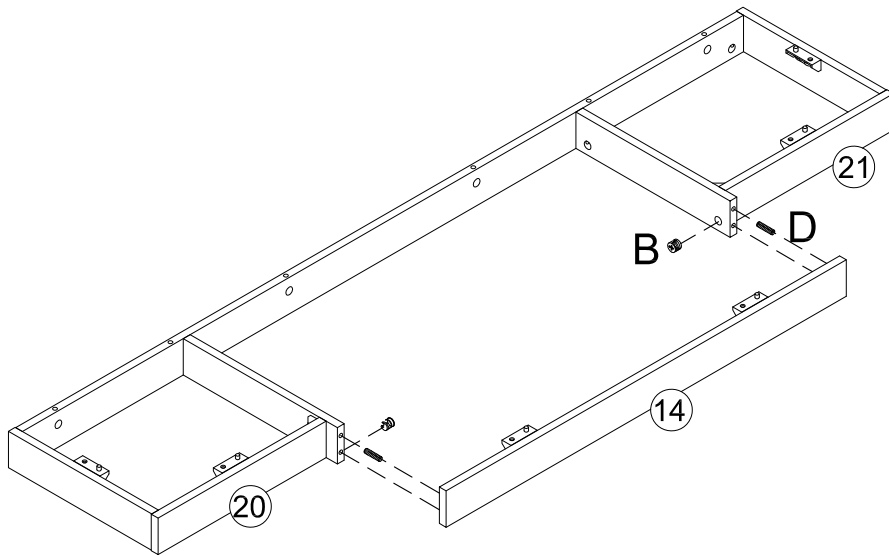
STEP 11



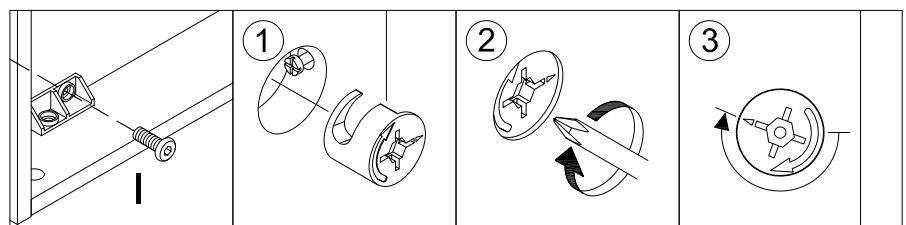
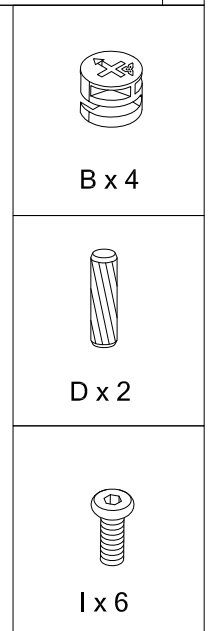
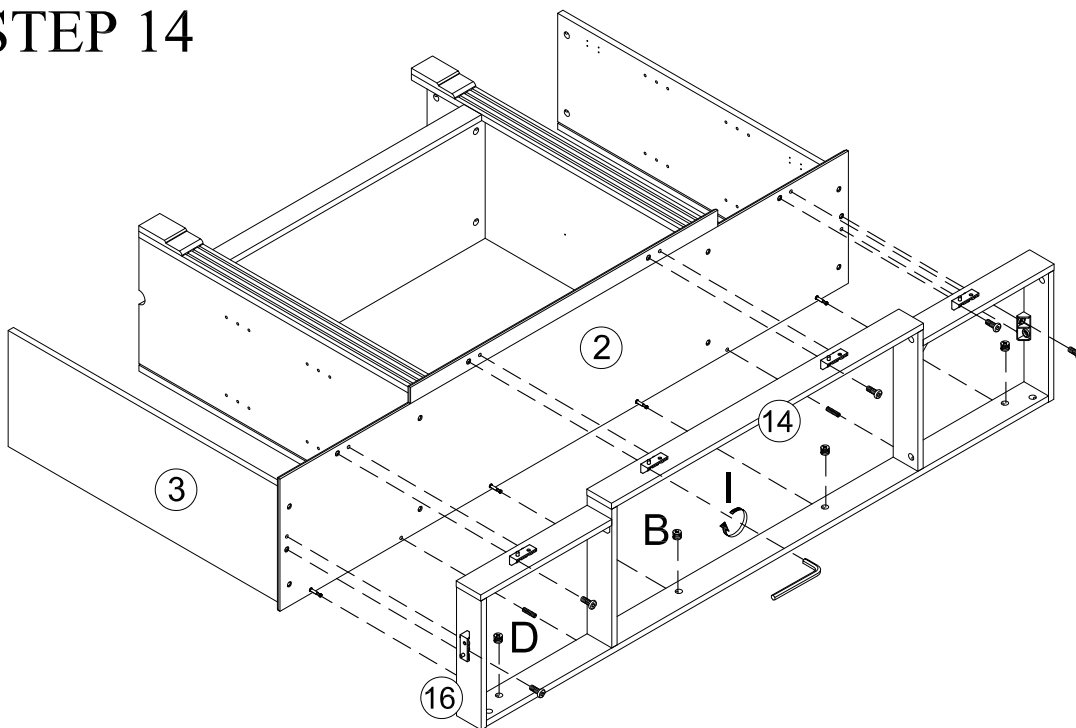
STEP 12



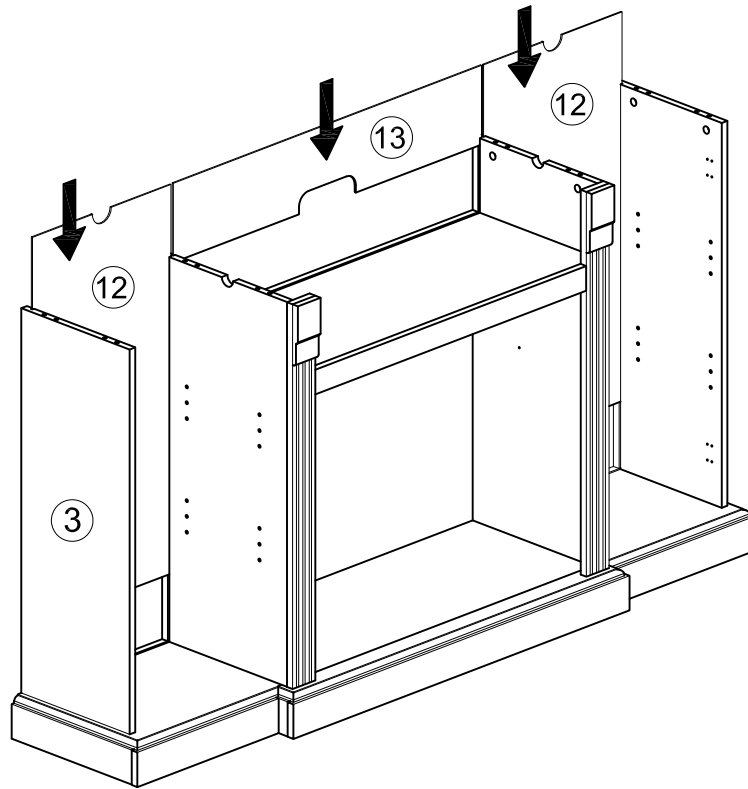
STEP 13



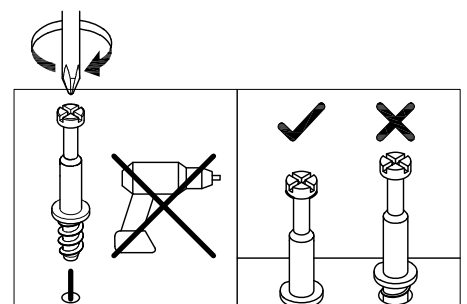
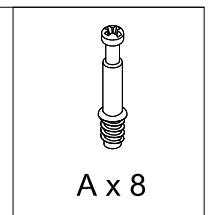
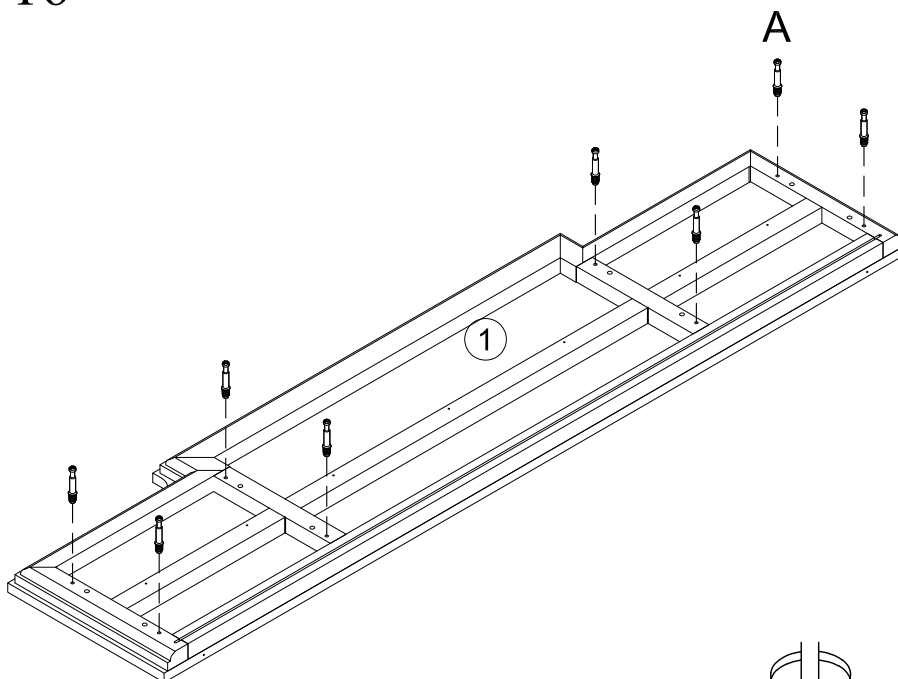
STEP 14



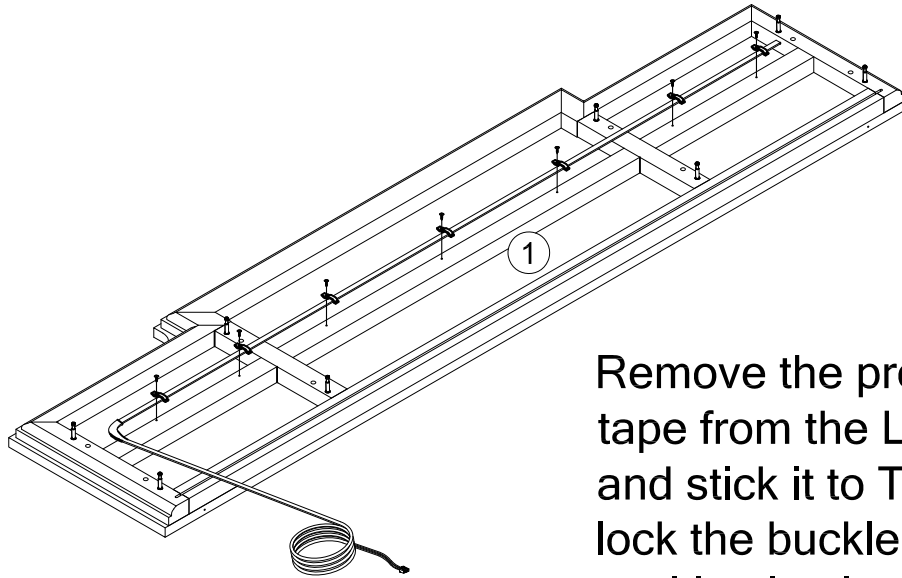
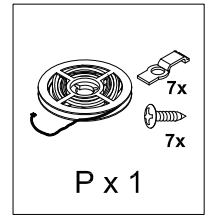
STEP 15



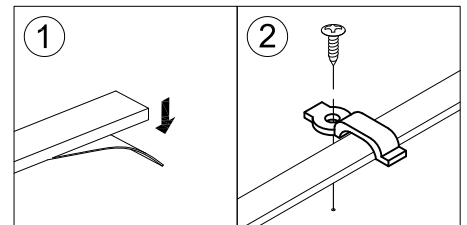
STEP 16



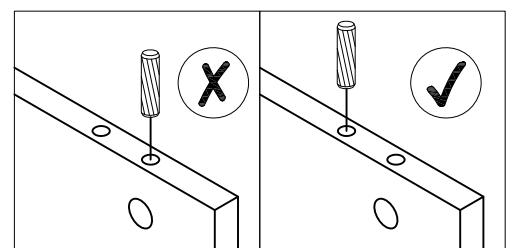
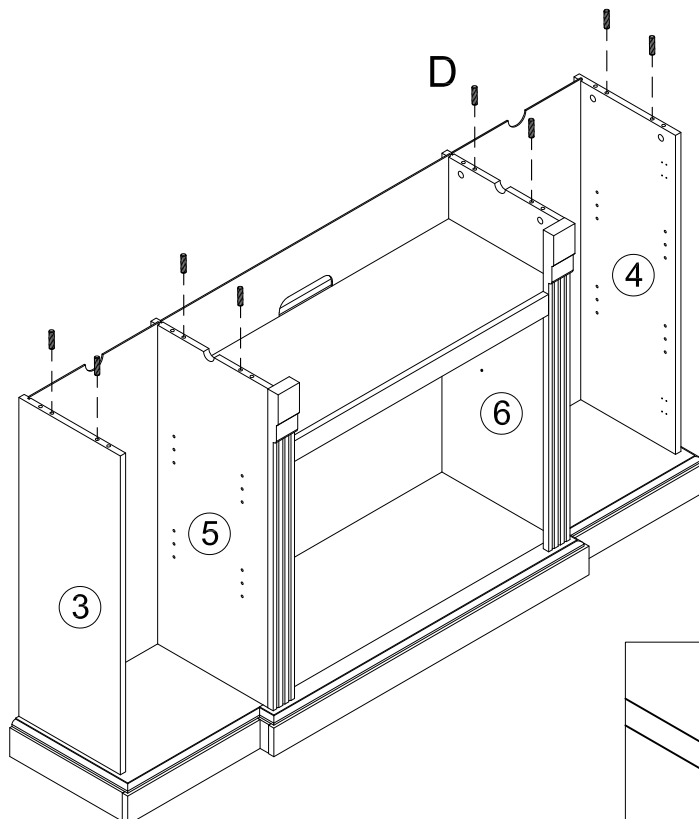
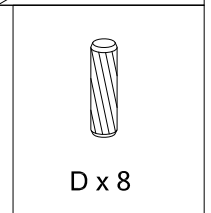
STEP 17



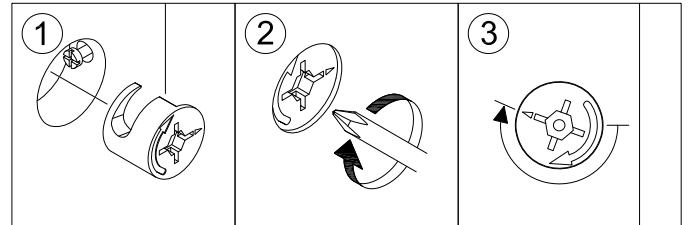
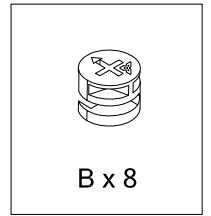
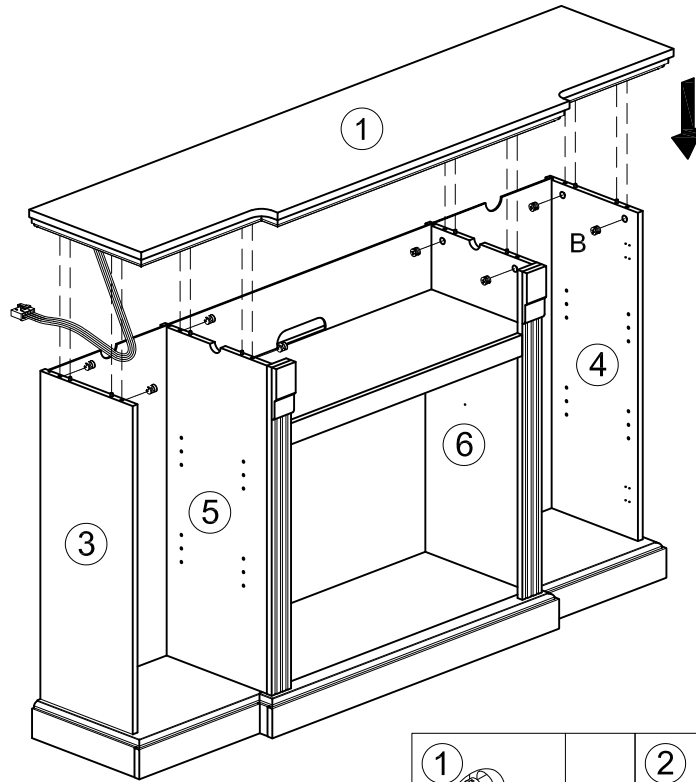
Remove the protective layer of tape from the LED light stripes and stick it to TOP panel, then lock the buckle that holds the position in place



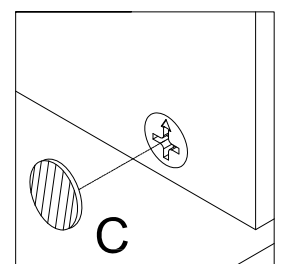
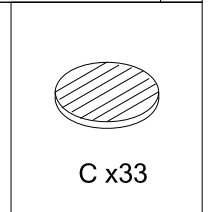
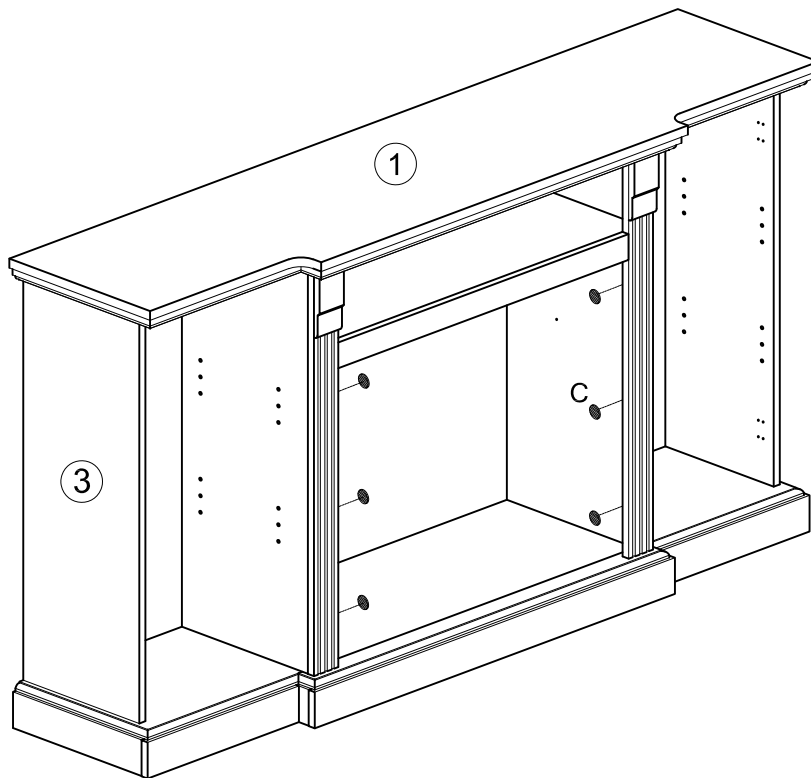
STEP 18



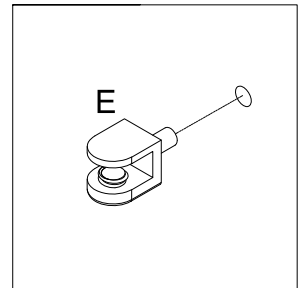
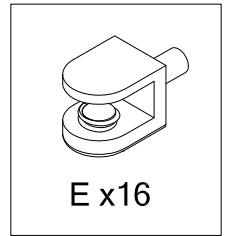
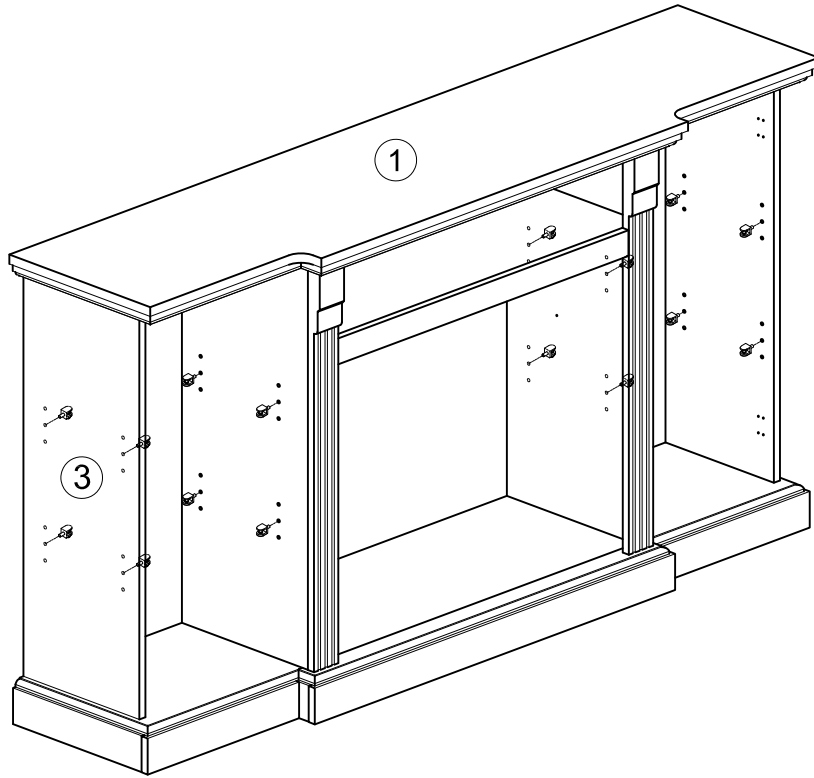
STEP 19



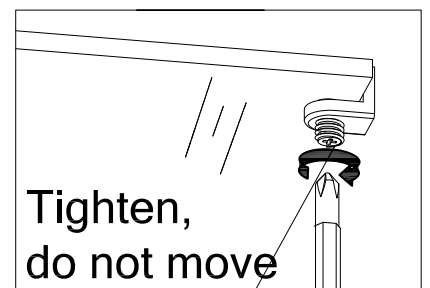
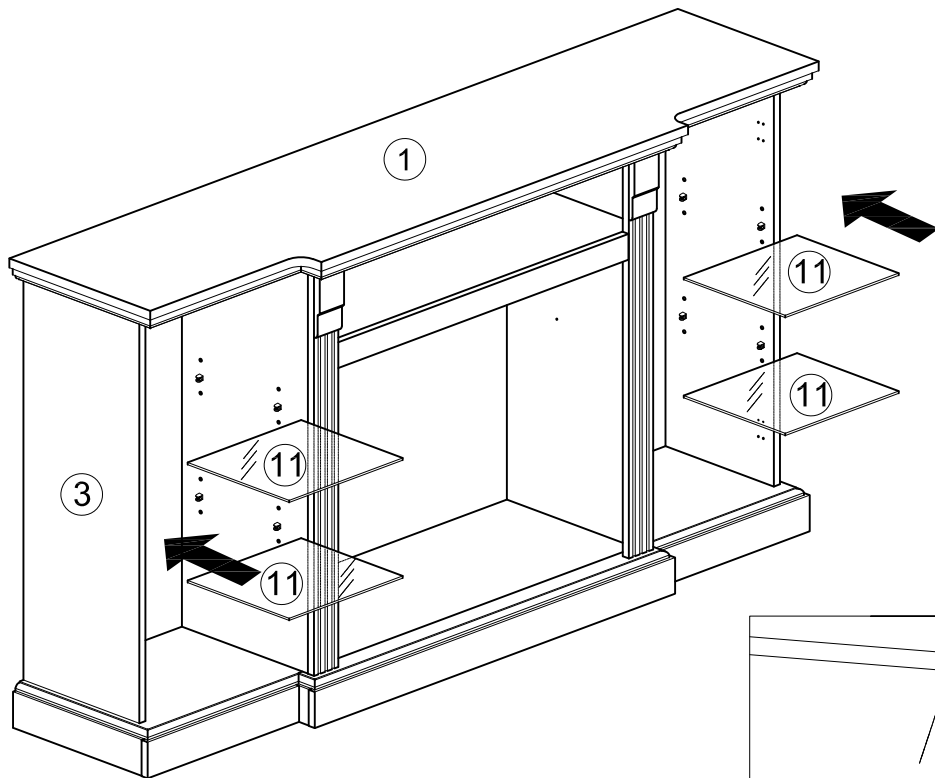
STEP 20



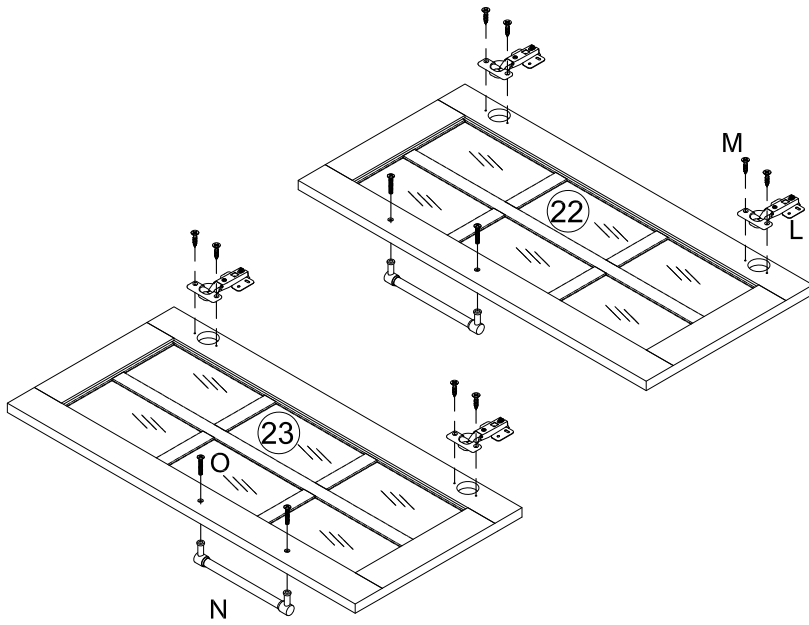
STEP 21

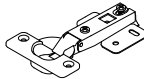
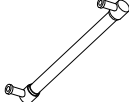

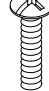


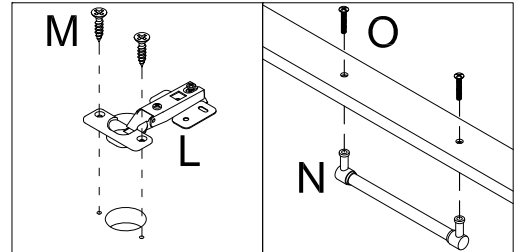
STEP 22



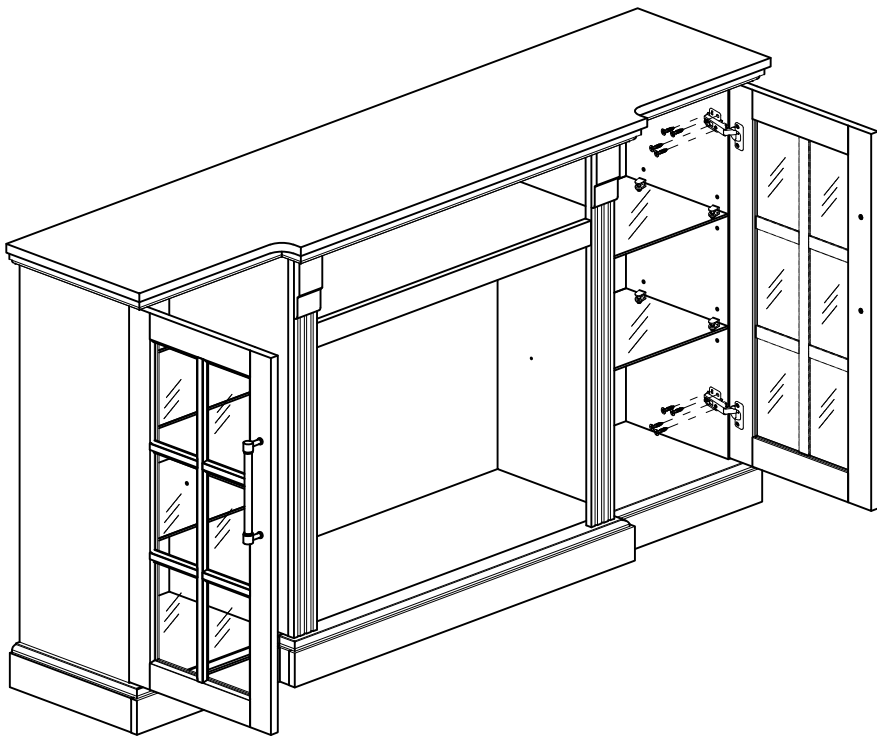
STEP 23




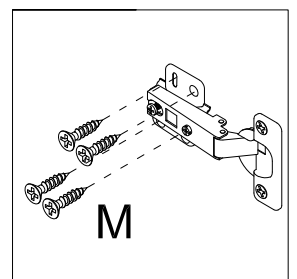
 L x 4	 N x 2
 M x 8 Ø 3.5 x 14	 O x 4 5/32" x 22



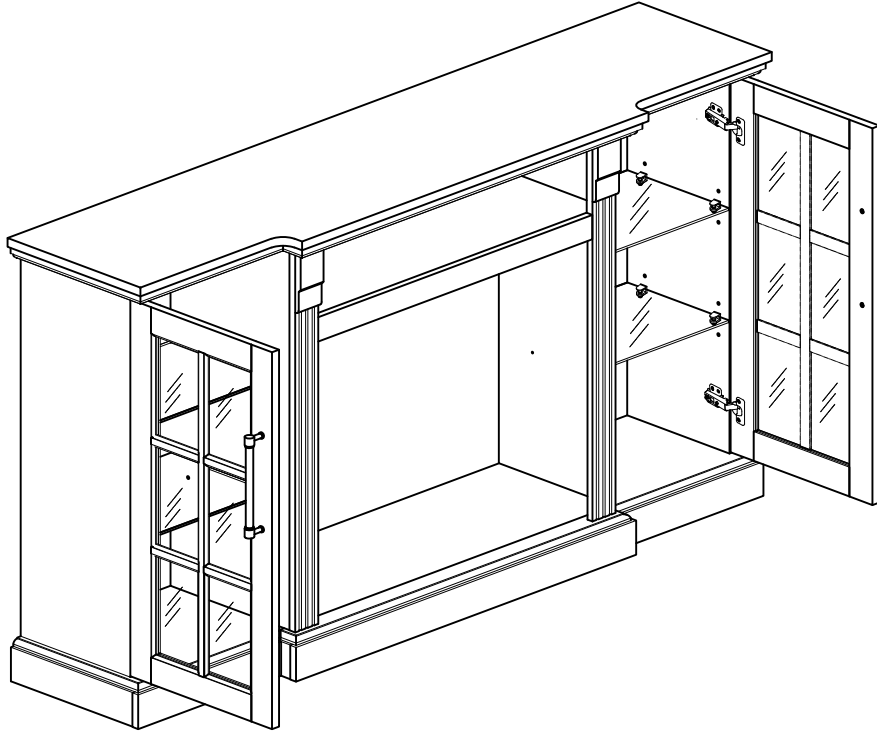
STEP 24



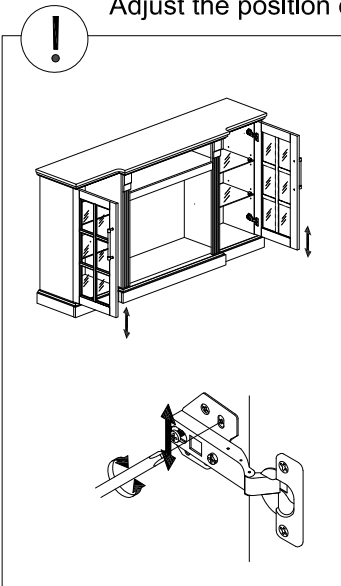
 M x 16 Ø 3.5 x 14



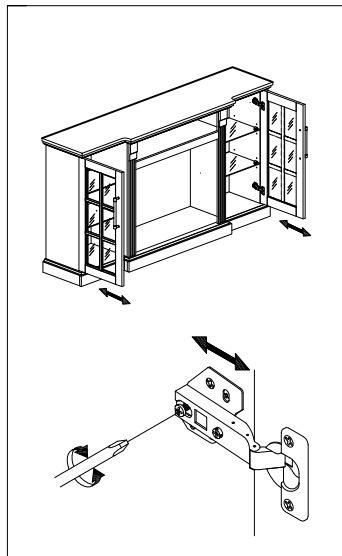
STEP 25



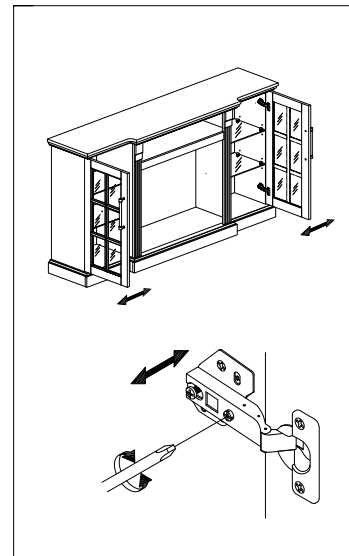
Adjust the position of the cabinet doors.



Up and down adjustment by loosening the screws on the mounting plate.

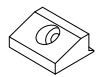
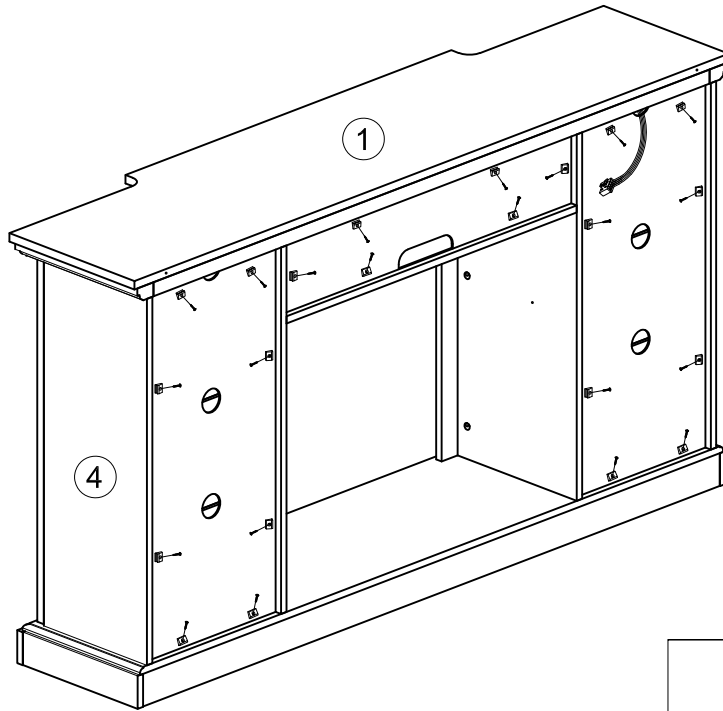


In and out adjustment by loosening the screws on the hinge arm.

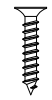


Side to side adjustment using the front adjustment screw on the hinge.

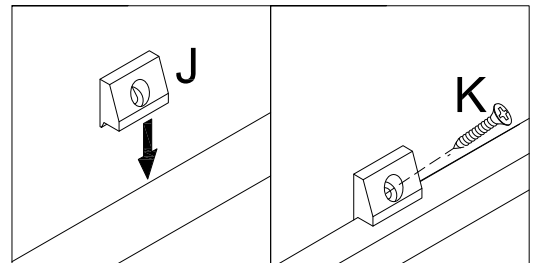
STEP 26



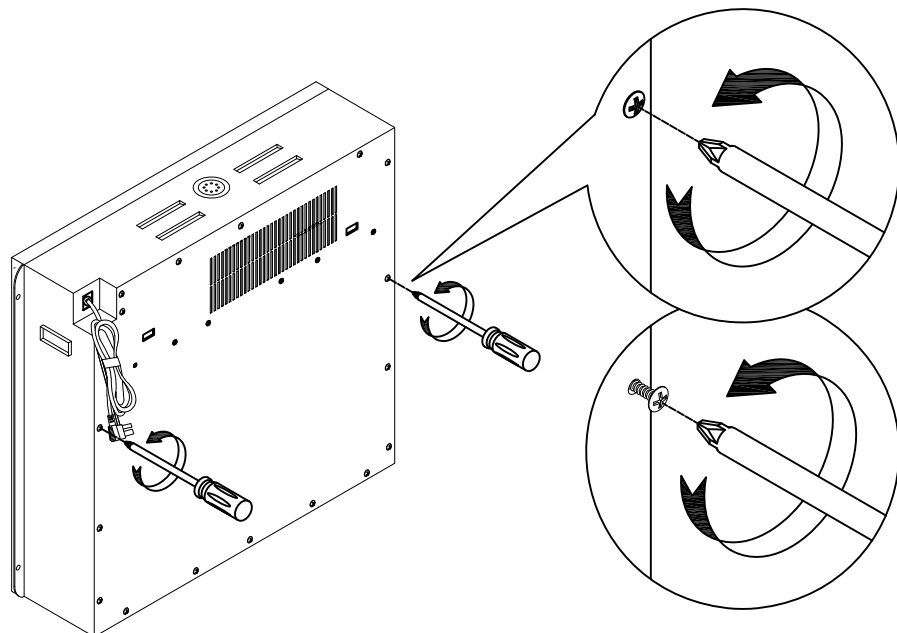
J x 22



K x 22

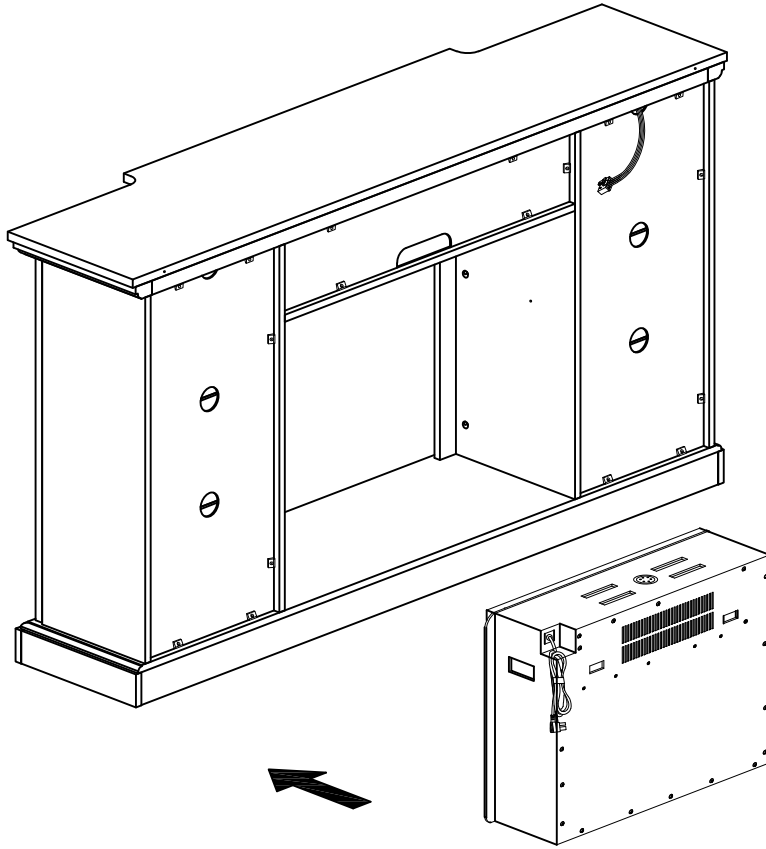


STEP 27

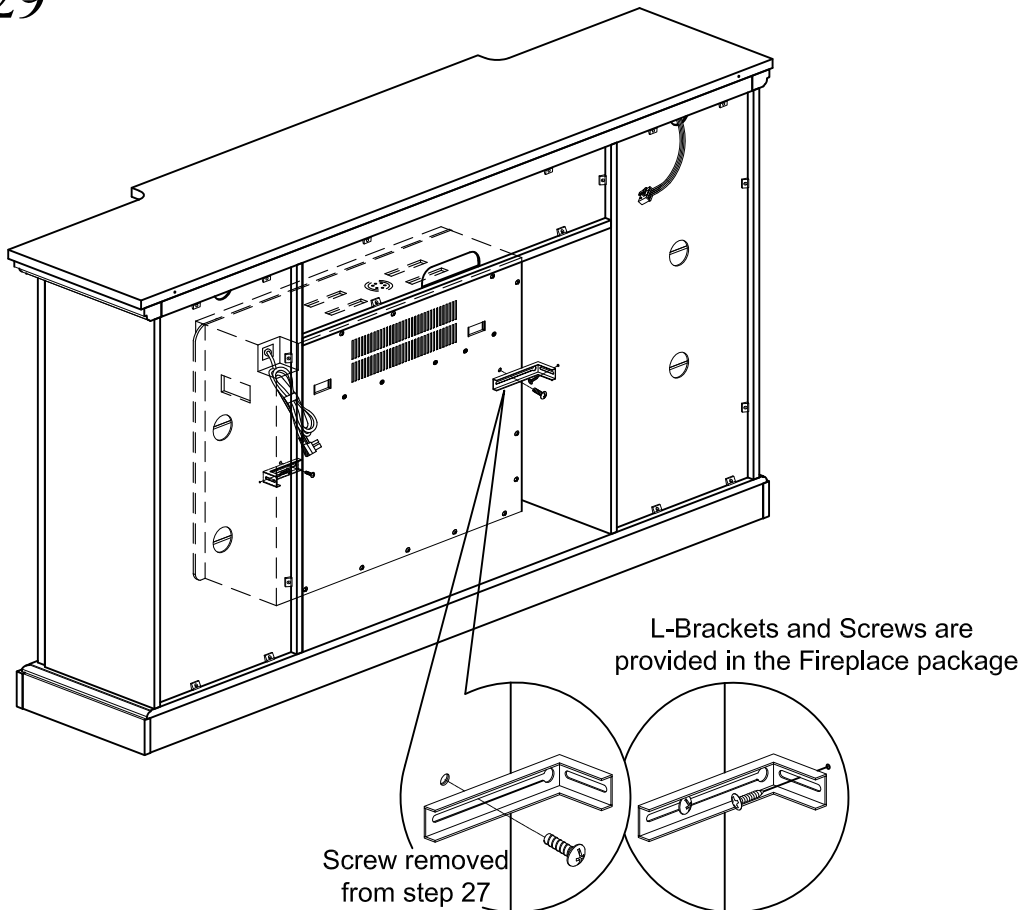


Remove screws from the back of your fireplace.

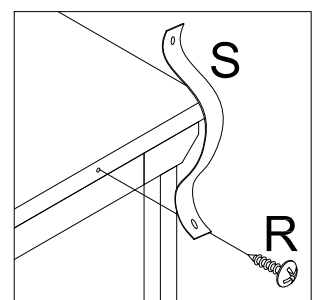
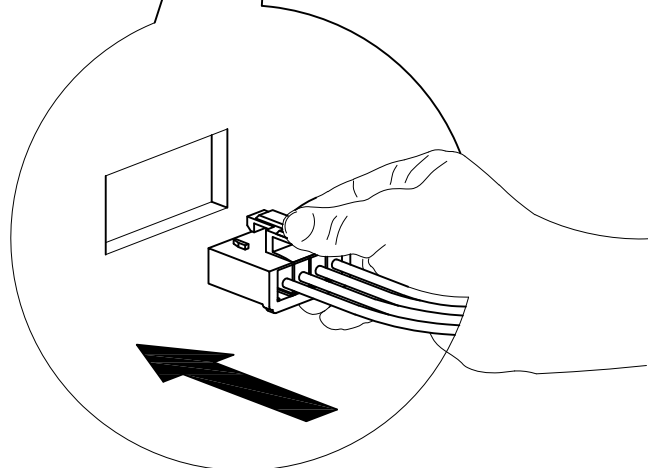
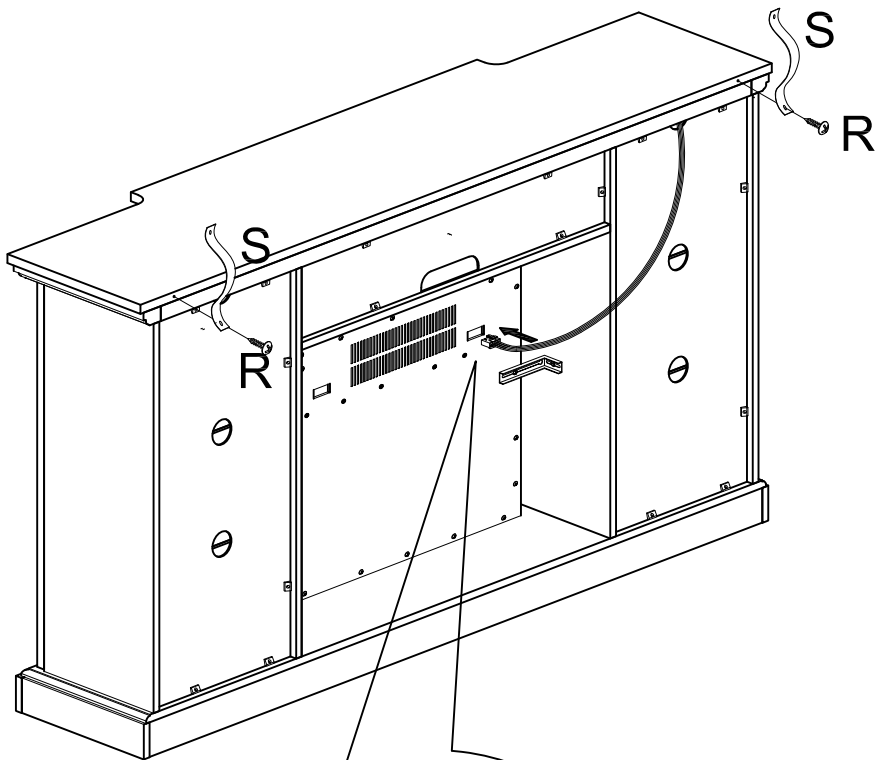
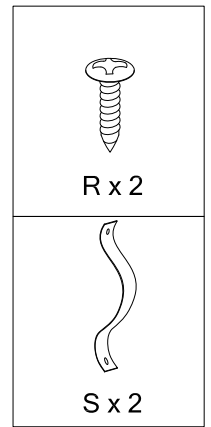
STEP 28



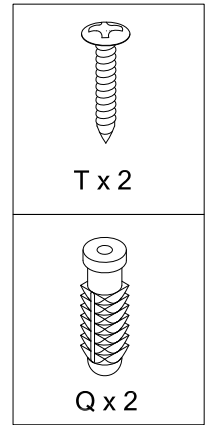
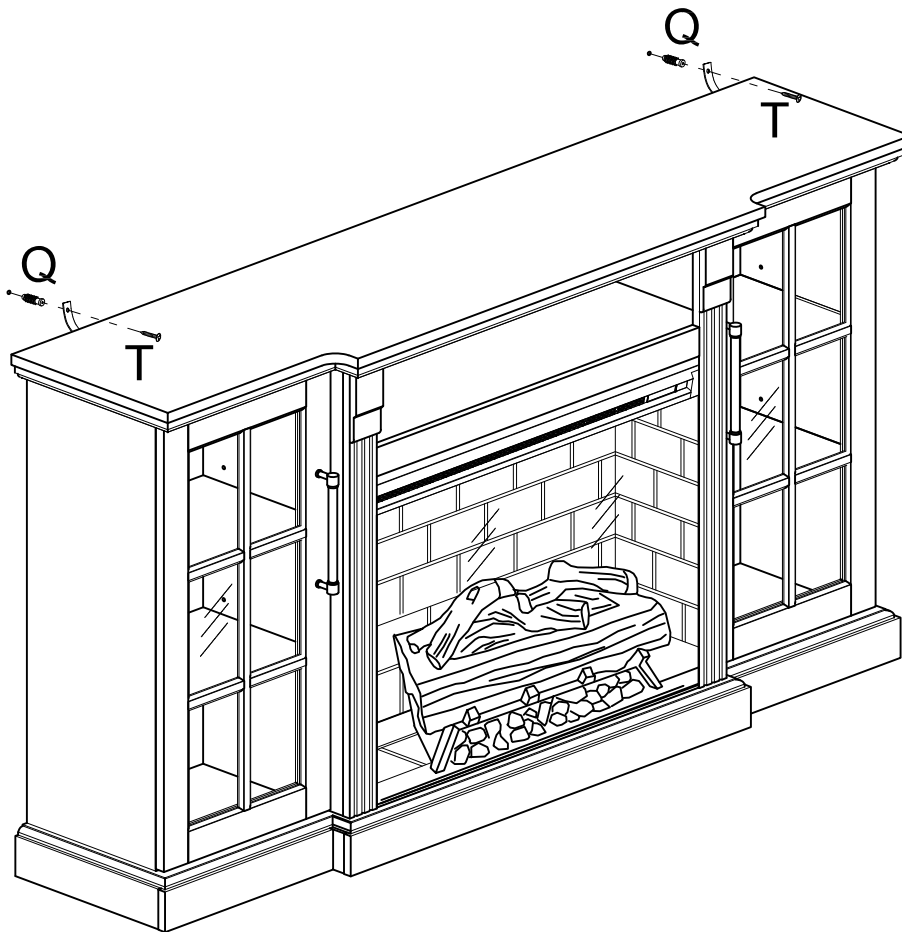
STEP 29



STEP 30



STEP 31



Furniture must be permanently fitted to the wall stud with an Included anti-tipping device to prevent the furniture from tipping over.

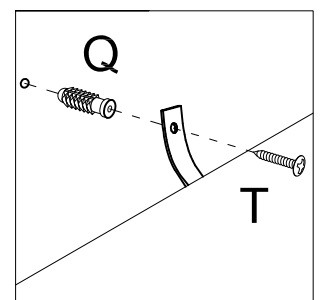
Mark the drill position on the wall with a pencil.

Drill a small hole on the marked position.

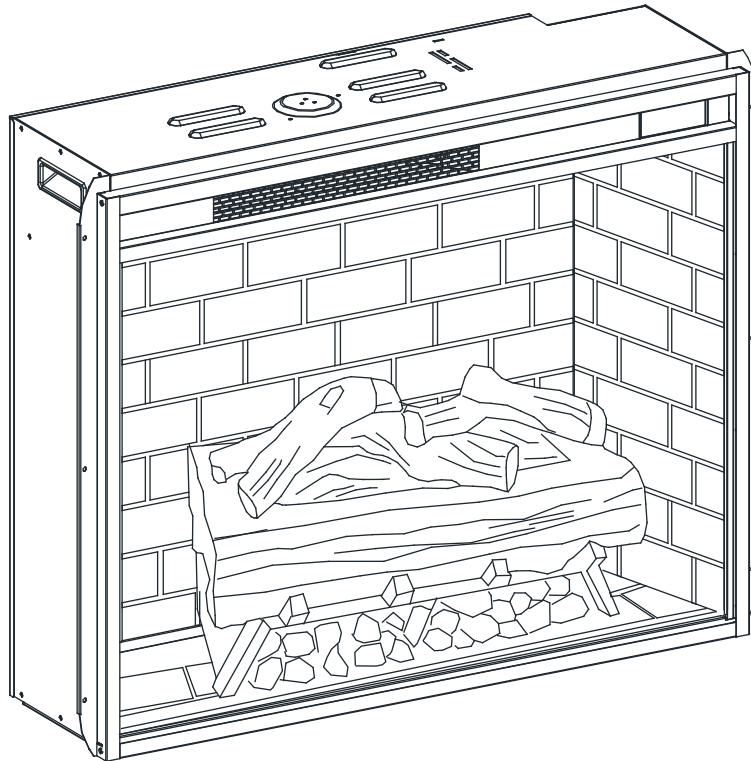
Insert a wall anchor into the drilled hole.

Fixed the anti-tipping strap to the wall with provided screws.

Assembly is complete



ELECTRIC FIREPLACE OPERATING MANUAL



**MODELS: 2322-M-P9
2822-H-P9
3322-H-P9**

CONSUMER SAFETY INFORMATION: PLEASE READ THIS MANUAL BEFORE INSTALLING AND OPERATING THIS APPLIANCE. FAILURE TO FOLLOW THESE INSTRUCTIONS MAY RESULT IN A POSSIBLE ELECTRIC SHOCK, FIRE HAZARD, AND/OR INJURY AND WILL VOID THE WARRANTY.

WARNING: IF THE INFORMATION IN THIS MANUAL IS NOT FOLLOWED, AN ELECTRIC SHOCK OR FIRE MAY RESULT IN PROPERTY DAMAGE, PERSONAL INJURY, OR LOSS OF LIFE.

THIS INSTRUCTION BOOKLET CONTAINS IMPORTANT SAFETY INFORMATION. PLEASE READ AND KEEP FOR FUTURE REFERENCE.

IMPORTANT INSTRUCTIONS

When using electrical appliances, basic precautions should always be followed to reduce the risk of fire, electrical shock, and/or injury including the following:

1. Read all instructions before using this heater.
2. This heater is hot when in use. To avoid burns, do not let bare skin touch hot surfaces. Keep combustible materials, such as furniture, pillows, bedding, papers, clothes, curtains etc., at least 3 feet (0.9 m) from the front of the heater and keep them away from the sides and rear.
3. Extreme caution is necessary when any heater is used by or near children or invalids and whenever the heater is left operating and unattended.
4. Do not operate any heater after it malfunctions. Disconnect power at service panel and have heater inspected by a reputable electrician before reusing.
5. Always unplug this appliance when not in use.
6. Do not operate any heater with a damaged cord or plug, after the appliance malfunctions, or if it has been dropped or damaged in any manner.
7. If the supply cord is damaged, it must be replaced by the manufacturer, its service agent or similarly qualified persons in order to avoid a hazard.
8. Any repairs to this fireplace should be carried out by a qualified service person.
9. Under no circumstances should this fireplace be modified. Parts having to be removed for servicing must be replaced prior to operating this fireplace again.
10. Do not use outdoors.
11. This heater is not intended for use in bathrooms, laundry areas and similar indoor locations. Never locate this appliance where it may fall into a bathtub or other water container.
12. Do not run cord under carpeting. Do not cover cord with throw rugs, runners or the like. Arrange cord away from traffic areas and where it will not be tripped over.
13. To disconnect this appliance, turn controls to the off position, then remove plug from outlet.
14. Connect to properly grounded outlet only.
15. This appliance, when installed, must be electrically grounded in accordance with local codes or, in the absence of local codes, with the current CSA C22.1 Canadian Electrical Code or for USA installations, follow local codes and the National Electrical Code, ANSI/NFPA NO.70.
16. There is a protective thermostat limiter inside the heater. When the inner temperature overheats, the thermostat limiter will shut off the power supply to avoid the risk of fire damage to the appliance.
17. The heaters must not be located immediately below a socket-outlet.
18. Do not insert or allow foreign objects to enter any ventilation or exhaust opening as this may cause an electric shock or fire or damage the appliance.
19. To prevent a possible fire, do not block air intakes or exhaust in any manner. Do not use on soft surfaces, like a bed, where opening may become blocked.
20. This appliance has hot and arcing or sparking parts inside. Do not use where gasoline, paint, or flammable liquids are used or stored. This fireplace should not be used as a drying rack for clothing. Christmas stockings or decorations should not be hung around it.
21. Use this appliance only as described in the manual. Any other use not recommended by the manufacturer may cause fire, electric shock or injury to persons.
22. Always plug heaters directly into a wall outlet/receptacle. Never use with an extension cord or relocatable power tap (outlet/power strip).

SAVE THESE INSTRUCTIONS

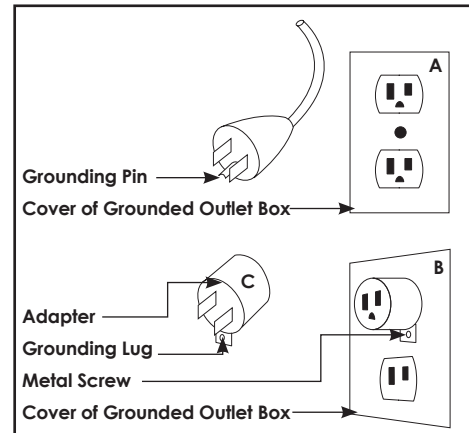
INSTALLATION INSTRUCTION

GROUNDING INSTRUCTIONS:

This heater is for use on 120 volts. The cord has a plug as shown at (A) in figure 2. An adapter as shown at (C) is available for connecting three-blade grounding-type plugs to two-slot receptacles. The green grounding lug extending from the adapter must be connected to a permanent ground such as a properly grounded outlet box. The adapter should not be used if a three-slot grounded receptacle is available.

NOTE: Adapters are NOT for use in Canada.

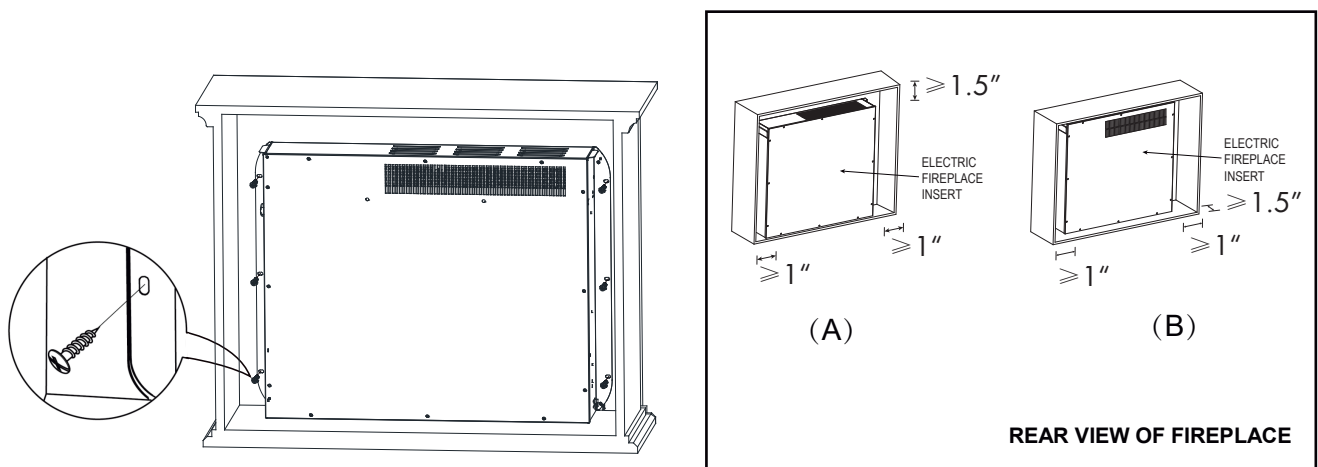
Figure 2



The unit comes standard with 6 feet (1.8M) three wire cord, exiting from the right of the fireplace. Plan the installation to avoid the use of an extension cord.

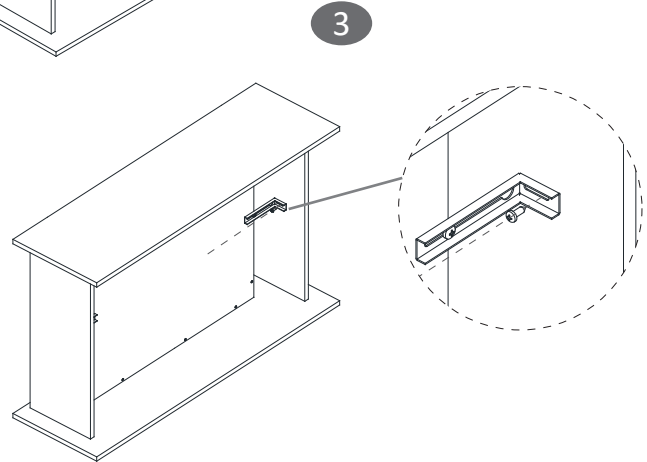
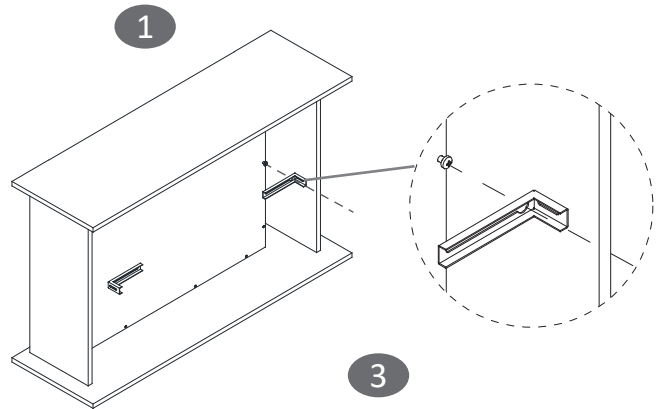
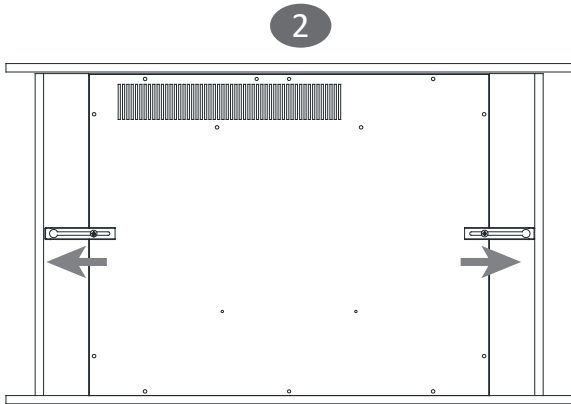
When choosing a final location, make sure you will have clear access to grounded electrical outlet. Position your completed mantel close to its final location. Make sure you can access the back of the mantel as your electric fireplace appliance will be installed from back.

Unpack the fireplace carefully. Position the fireplace behind the mantel with front facing the wood mantel. With the help of an adult assistant, lift the fireplace and gently slide it into the opening in the mantel. Make sure the fireplace is centered left and right in the opening. Be careful when placing fireplace and adjusting, bottom of fireplace could scratch the finish of the base/hearth of your wood mantel.

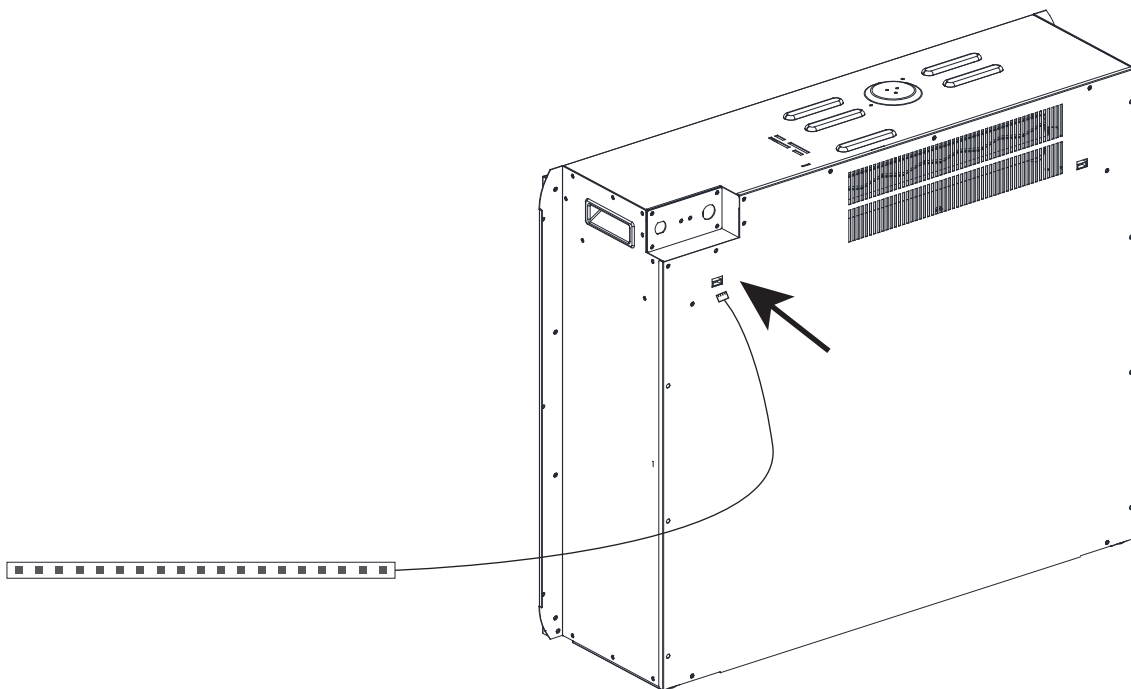


If the clearance distance of side panel of insert and mantel less than 3.4inch, fix the insert with furniture by L-Brackets on the back panel.

1. Loosen the zinc plated screw. Align the large hole on the long side of the L-Brackets with zinc plated screws on the fireplace.
2. Move the L-Brackets until they are level with the wooden cabinet.
3. Secure the L-Brackets to the wooden cabinet with supplied screws. Tighten the zinc plated screws.

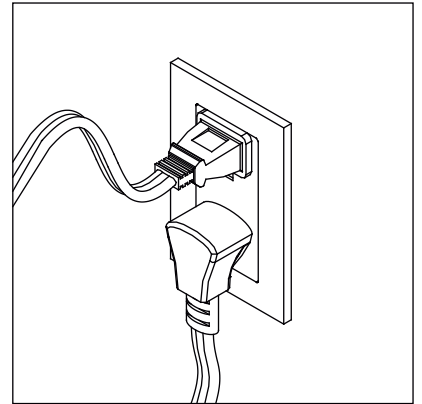
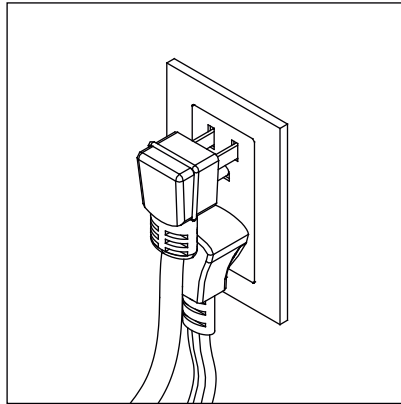
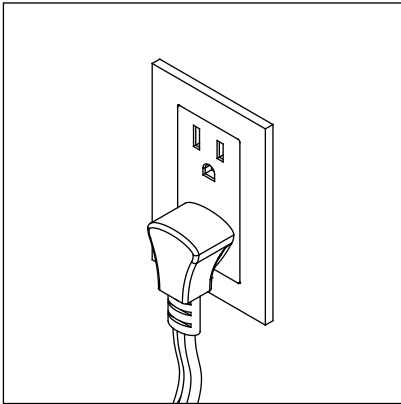


SIDE LIGHT INSTALLATION

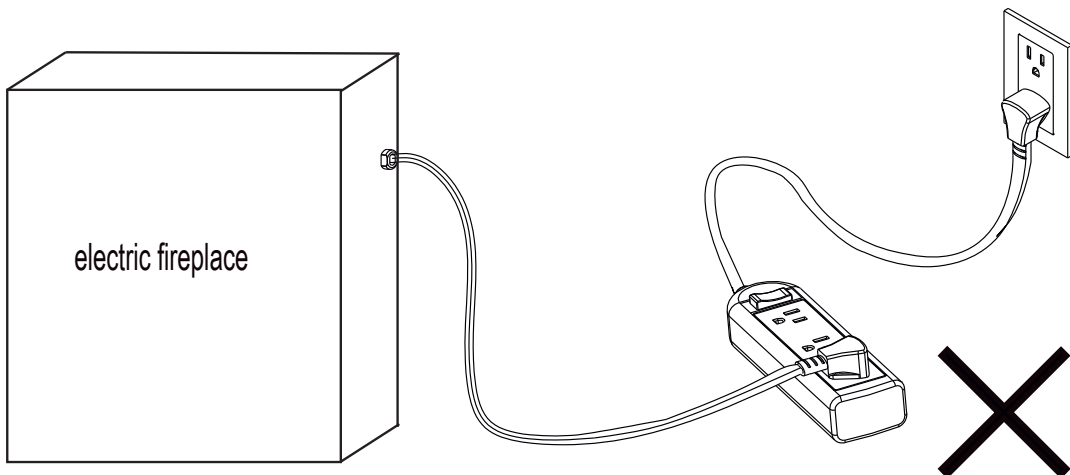




Do not share a socket with other appliances when using the electric fireplace. Please use a dedicated socket.

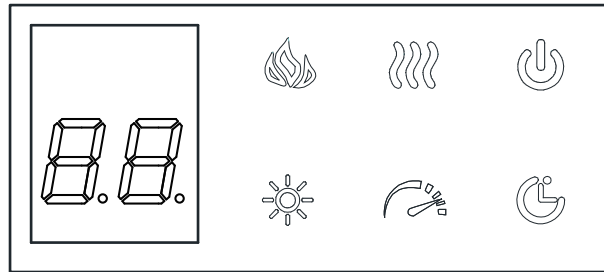


Never use with an extension cord or relocatable power tap (outlet / power strip).



OPERATING INSTRUCTIONS

On the top-right of the fireplace is the touchscreen control panel. This panel contains the buttons to properly operate the electric fireplace.




POWER

The power button turns the fireplace on and off. When the fireplace is off, pressing the power button once will switch on the fireplace. Once on, if the fireplace display is not illuminated, pressing the power button will light up the display. If the power button is pressed again within 10 seconds it will turn off the fireplace. If the display is already illuminated, then only one press of the power button is needed to turn off the fireplace.

The power button has a built in memory function that will retain the status of the fireplace when turned off. With the exception of the timer, the fireplace will restart in its previous status. If the fireplace is disconnected from the main power source, it will lose the memory and restart at the default settings.

FLAME

The flame button is used to turn flames ON, to alter the flame color and to turn flames OFF. There are 4 flame colors (L1-L4) and an OFF position you can cycle through. When the flame is in OFF position and the heater is turned on, the ember bed will be slightly bright to indicate that the heater has been turned on.

Press and hold the “  ” for 5 seconds to turn on the sound.

HEATER

The heater button is used to turn the heater on and off. Pressing the heater button once turns the heater on. Pressing the heater button a second time within 10 seconds will turn the heater off. When the heater is turned off, the quartz tubes will stop working first, and then the blower will stop after 60 seconds.

When the heater is on, pressing the heater button for 5 seconds will adjust the temperature. There are 11 temperature settings: 82 °F -ON - 64 °F - 66 °F - 68 °F -70 °F -72 °F -74 °F -76 °F -78 °F -80 °F (27 °C -ON - 18 °C -19 °C - 20 °C -21 °C -22 °C -23 °C - 24 °C -25 °C -26 °C).

Temperature Unit Convert Function: The heater includes Celsius and Fahrenheit temperature scales. To change the temperature unit, turn the heater on, and then press and hold the Power Button for 5 seconds. The current temperature unit display will flash 3 times and convert to the other temperature unit. Note: The remote control cannot convert the temperature units.

Lock and Unlock Heater Function: Press and hold the heater button for 10 seconds. The ember bed will flash 6 times, indicating that the heater function is locked. To unlock the heater function, press and hold the heater button for 10 seconds. The ember bed will flash 6 times, indicating the heater function is unlocked. Note: The remote cannot set the lock and unlock heater function.

TIMER

The timer has adjustable settings from 1 hour to 9 hours and OFF. These are shown as: 1h-2h-3h-4h-5h-6h-7h-8h-9h-OFF. If the digital display turns on and no timer setting is chosen within 10 seconds, the digital display will shut off automatically. Once you set the timer and the timer is up, the unit will close all functions and enter standby mode. In this mode, you will need to press the power button to restart the appliance.

SPEED

The speed button is used to adjust the flame speed. There are 3 flame speeds and are shown as P2-P3-P1. The default speed is medium, P2. The fastest flame speed is P3, and the slowest flame speed is P1.

BRIGHTNESS

The brightness button is used to adjust the brightness of the flame and ember bed. The settings are displayed as 5-4-3-2-1. The brightest setting is 5, and the lowest setting is 1.

REMOTE CONTROL

Power

The Power Button turns the fireplace ON and OFF.


Heater

The Heater Button turns the heat ON and OFF. Press “+” or “-” button to setting the temperature.

Flame

The Flame Button is used to turn the flames ON, to alter the flame color, and turn the flames OFF.

Sidelight

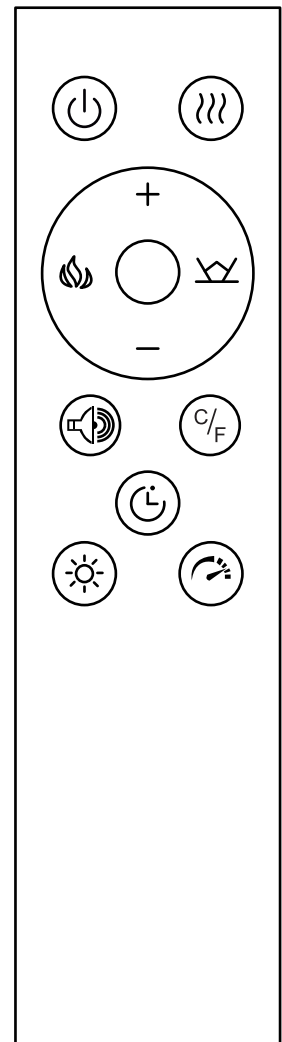
This Button is used to turn the sidelight ON and OFF. Press “+” or “-” button to change the color. There are 32 colors. Press  button to change the brightness of sidelight. There are 10 levels of brightness can be set.

Sound

The Sound Button turns the fire crackling sound ON and OFF.

Unit

This button convert temperature units: degrees Celsius and Fahrenheit.



Timer

The Timer Button turns the timer ON and OFF. Press “+” or “-” button to setting the timer.

Brightness

The Brightness Button turns the brightness of flame and ember bed. As shown the following: 5-4-3-2-1. When the digital tube shows 5, the flame and the ember bed are brightest . When the digital tube shows 1, the flame and the ember bed are darkest.

Speed

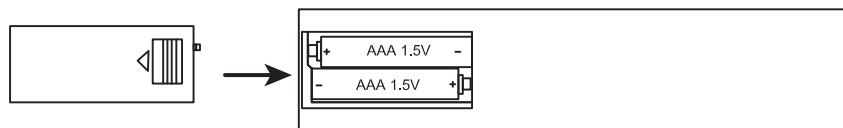
The Speed Button is used to adjust the flame speed. As shown the following: P2-P3-P1. When the digital tube shows P3, the flame speed is fastest . When the digital tube shows P1, the flame speed is slowest.

BATTERY REPLACEMENT

The battery compartment is located on the back end of the remote control.

1. Press and slide the battery cover open.
2. Insert two 1.5V (AAA) batteries ensuring they are installed correctly with regard to the polarities (+ and -) marked on the inside of the battery compartment.
3. Replace the battery cover.

NOTE: The batteries should be removed if the product is to be left unused for a long time.



When replacing the batteries, replace both batteries at the same time with new batteries of the correct type.

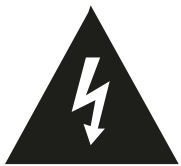
- Do not mix old and new batteries.
- Do not mix alkaline, standard (Carbon-Zinc), or rechargeable (Nicad, Nimh, etc) batteries.

MAINTENANCE

Clean the metal trim using a soft cloth, slightly dampened with citrus oil based product and buff with a clean soft cloth.

DO NOT use brass polish or household cleaners as these products will damage the metal trim. Citrus oil based products can be obtained at supermarkets or hardware stores.

The motors used on the fan and the flame generator assembly are pre-lubricated for extended bearing life and require no further lubrication. However, periodic cleaning/vacuuming of the fan/heater unit is recommended. Make sure the unit is turn OFF and unplugged whenever you are cleaning the heater of fireplace.



WARNING: Make sure the power is turned off before proceeding. Any electrical repairs or rewiring of this unit should be carried out by a licensed electrician in accordance with national and local codes. If repairing or replacing any electrical component or wiring, the original wire routing, color coding and securing locations must be followed.



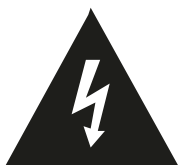
WARNING: Electric outlet wiring must comply with local building codes and other applicable regulations to reduce risk of fire, electric shock and injury to persons.



WARNING: Do not use this fireplace if any part of it has been under water. Immediately call a qualified service technician to inspect the fireplace and replace any part of the electrical system.



WARNING: Disconnect the power before attempting any maintenance or cleaning to reduce the risk of fire, electrical shock or personal injury.



WARNING: During any service of this appliance, the power to the unit must be turned off. Always remember to remove the electrical plug from the wall outlet.



WARNING: When the heater is not in use, the heater should be stored in a dry location, away from possible damage. The power cord should be stored properly to avoid contact with hot or sharp objects.

FCC STATEMENT

This device complies with part 15 of the FCC Rules. Operation is subject to the following two conditions: (1) This device may not cause harmful interference, and (2) this device must accept any interference received, including interference that may cause undesired operation.

This equipment has been tested and found to comply with the limits for a Class B digital device, pursuant to part 15 of the FCC Rules. These limits are designed to provide reasonable protection against harmful interference in a residential installation. This equipment generates, uses and can radiate radio frequency energy and, if not installed and used in accordance with the instructions, may cause harmful interference to radio communications. However, there is no guarantee that interference will not occur in a particular installation. If this equipment does cause harmful interference to radio or television reception, which can be determined by turning the equipment off and on, the user is encouraged to try to correct the interference by one or more of the following measures:

- Reorient or relocate the receiving antenna.
- Increase the separation between the equipment and receiver.
- Connect the equipment into an outlet on a circuit different from that to which the receiver is connected.
- Consult the dealer or an experienced radio/TV technician for help.

CAUTION: Changes or modifications not expressly approved by the party responsible for compliance could void the user's authority to operate the equipment.

TROUBLESHOOTING

Fault code	Fault Cause	Solution
E1	Heater is overheating	Contact customer service
E3	Heater is not working	Turn the unit off and unplug it from the electrical outlet. Check for dirty or clogged vents. Clean the dust and debris from the vent area. Wait 5 minutes, plug in the fireplace, and then turn it back on. If the heater still doesn't work, contact customer service.

1 YEAR LIMITED WARRANTY

Our electrical fireplace is free from manufacturing and material defects for a period of one year from date of purchase, subject to the following conditions and limitations.

1. This electric fireplace must be installed and operated at all times in accordance with the installation and operating instructions furnished with the product. Any unauthorized repair, alteration, willful abuse, accident, or misuse of the product shall nullify this warranty.
2. This warranty is non-transferable, and is made to the original owner, provided that the purchase was made through an authorized supplier of the company.
3. The warranty is limited to the repair or replacement of parts found to be defective in material or workmanship, provided that such part(s) has(have) been subjected to normal conditions of use and service, after said defect is confirmed by the Company's inspection.
4. The Company may, at its discretion, fully discharge all obligation with respect to this warranty by refunding the wholesale price of the defective part(s).
5. Any installation, labor, construction, transportation, or other related costs/expenses arising from defective part(s), repair, replacement, or otherwise of same, will not be covered by this warranty, nor shall the Company assume responsibility for same.
6. The owner/user assumes all other risks, if any, including the risk of any direct, indirect or consequential loss or damage arising out of the use, or inability to use the product, except as provided by law.
7. All other warranties - expressed or implied - with respect to the product, its components and accessories, or any obligation/liabilities on the part of the Company are hereby expressly included.
8. The Company neither assumes, nor authorizes any third party to assume, on its behalf, any other liabilities with respect to the sale of our product.
9. The warranties as outlined within this document do not apply to 3rd party accessories used in conjunction with the installation of this product.

This warranty is void if:

- a. The fireplace is subjected to prolonged periods of dampness or condensation.
- b. Any unauthorized alteration, willful abuse, accident, or misuse of the product.
- c. You do not have the original receipt of purchase.

Made in China
Printed in China