

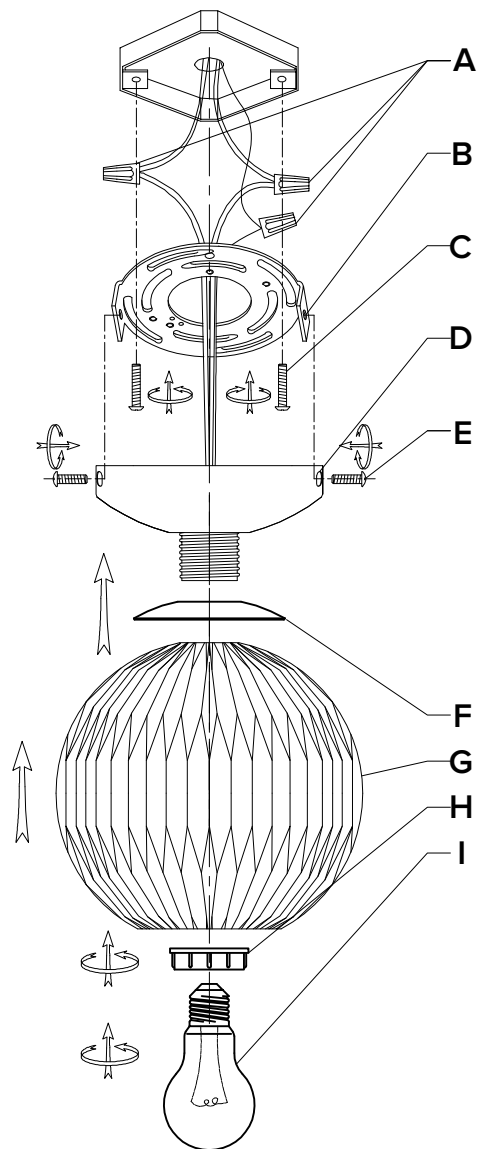
ASSEMBLY INSTRUCTIONS

MORAGA BONE PORCELAIN SEMI-FLUSH MOUNT

3617724

CAUTION: PLEASE MAKE SURE POWER SUPPLY IS TURNED OFF AT MAIN BREAKER PRIOR TO INSTALLATION. PLEASE READ THESE INSTRUCTIONS THOROUGHLY. IF YOU ARE NOT FAMILIAR WITH WIRING, YOU SHOULD USE A QUALIFIED ELECTRICIAN.

1. Carefully remove all lamp parts from the box and spread on a flat clean surface.
2. Attach the crossbar (B) to the ceiling junction box using two screws (C). Connect the NEUTRAL wire from the fixture to the NEUTRAL wire of the supply circuit and connect the LIVE wire from the fixture to the LIVE wire of supply circuit using connectors (A).
3. Wrap the bare ground wire around green ground screw one full turn and tighten the screw. Connect the remaining end of the ground wire to the supply ground wire.
4. Assemble canopy (D) over the junction box and secure with crossbar(B) with the screws (E) provided.
5. Attach shade (G) to socket assembly of the lamp and secure with socket ring (H).
6. Screw the light bulb into the socket assembly (recommended: E26, A16, 23W LED, 2700K, 90+CRI)
7. Restore power & enjoy the beautiful light.



IMPORTANT SAFETY INSTRUCTIONS

This lamp has a polarized plug (one blade is wider than the other) as a safety feature to reduce the risk of electric shock. This plug will fit in a polarized outlet only one way. If the plug does not fit fully in the outlet, reverse the plug. If it still does not fit, contact a qualified electrician. Never use with an extension cord unless the plug can be fully inserted. Do not alter the plug.

IMPORTANTES INSTRUCCIONES DE SEGURIDAD

Esta lampara tiene un enchufe polarizado (una navaja es mas ancha que la otra) como forma de seguridad para reducir el riesgo de un shock electrico. Este enchufe polarizado entrara en una conexfon solo de un lado. Si el enchufe no entra en la conexfon trate al reverso. Si aun asi no entra, contacte a un electricista calificado. Nunca use una extension a menos que el enchufe pueda ser conectado completamente. No altere el enchufe.